

DIODE HEATSINK

MOSFET HEATSINK

-15V REG HEATSINK

+15V REG HEATSINK

+48V REG HEATSINK

FAN REG HEATSINK

+5V REG HEATSINK

12V FLOAT REG HEATSINK

CLAMP DIODE HEATSINK

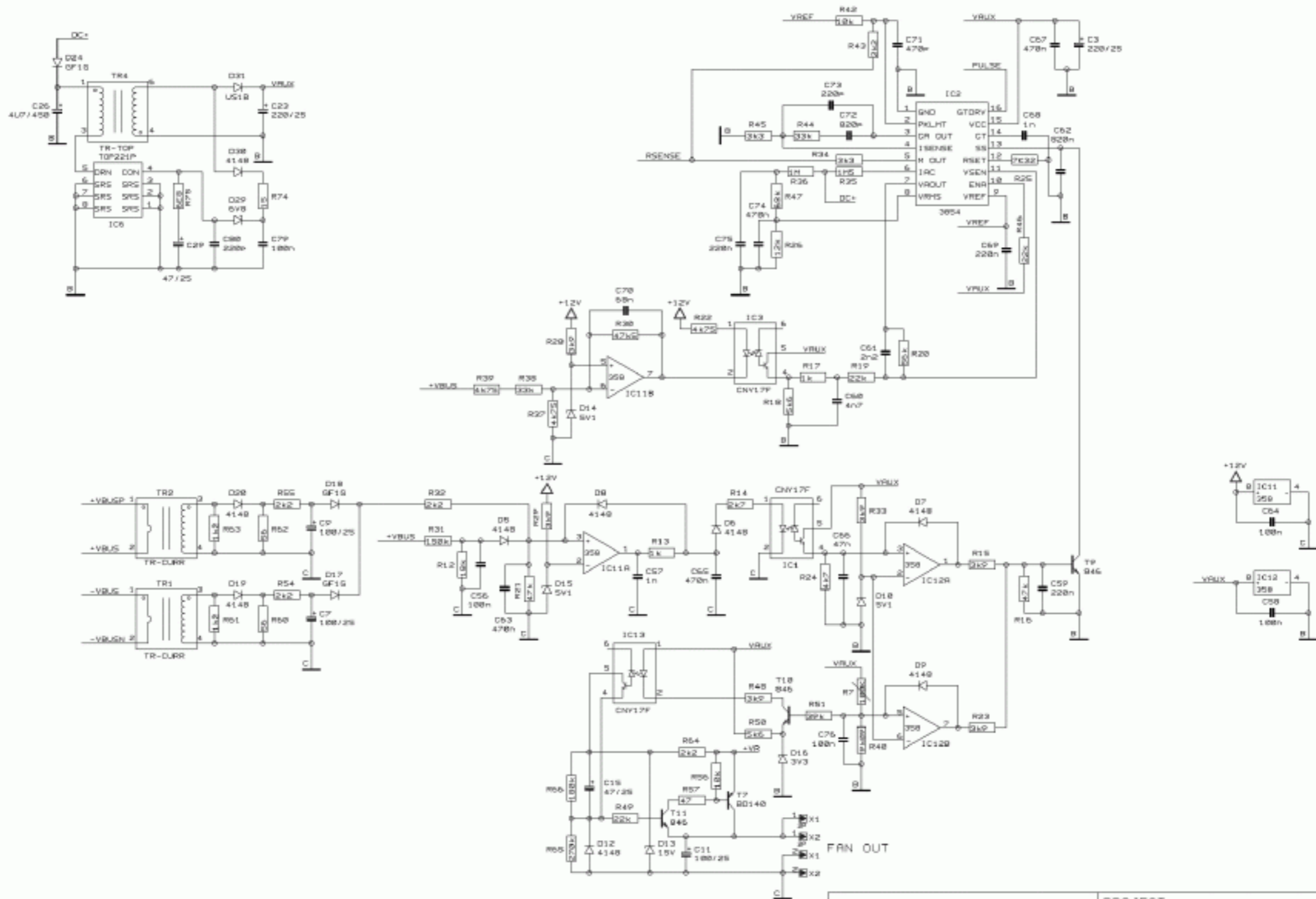
REVISIONS B (19/12/03)

DRAWN SASA CHECKED

DATE 12.07.04 14:28

BEHRINGER®
Specialized Studio Equipment

PROJECT
SPS400
POWER SUPPLY 400W
SCHEMATICS
SHEET 1 OF 2 SHEETS TOTAL



REVISIONS		B	
DRAWN	SASA	CHECKED	DATE 12.07. 4 14:28

BEHRINGER[®]

Specialized Studio Equipment

PROJECT
SP5400
POWER SUPPLY 400W
SCHEMATICS
SHEET 2 OF 2 SHEETS TOTAL