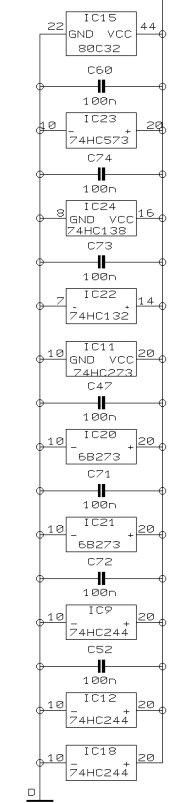
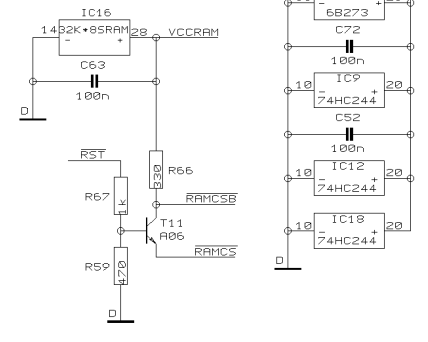
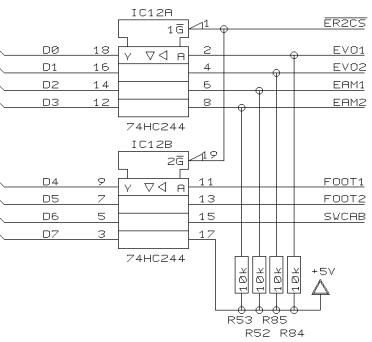
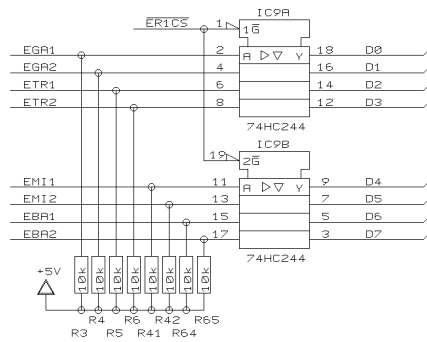
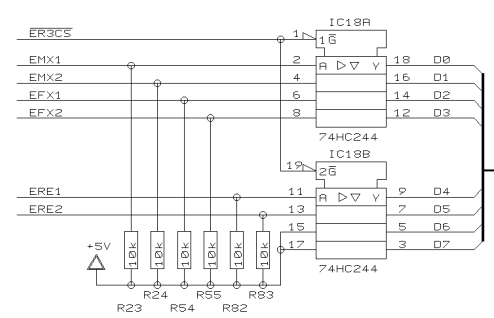
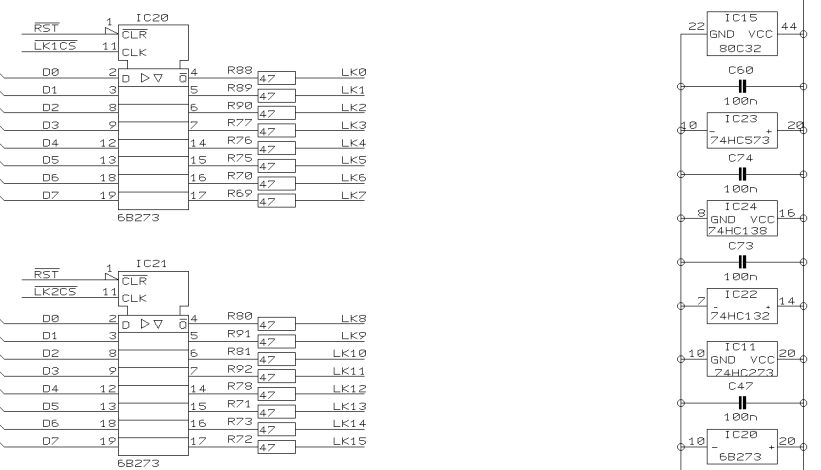
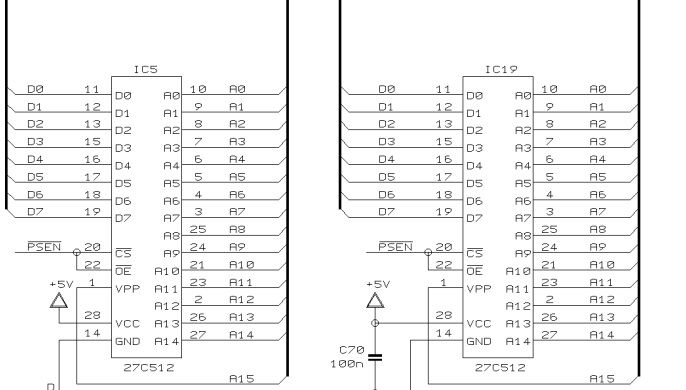
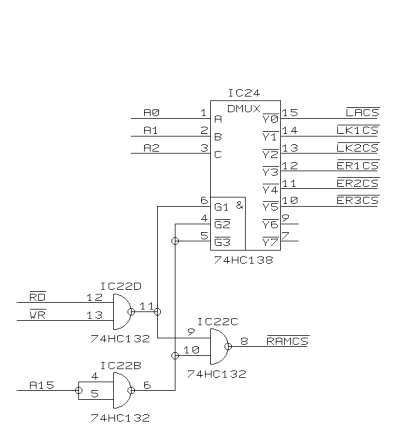
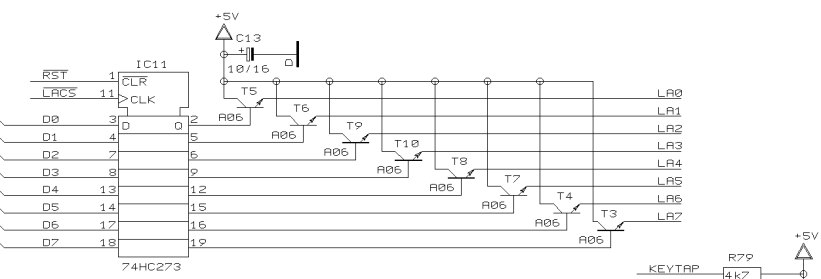
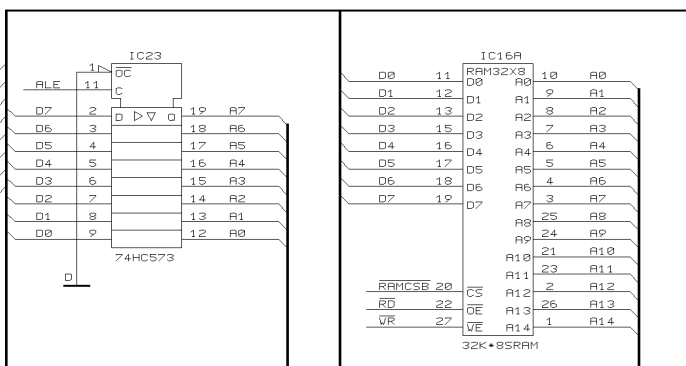
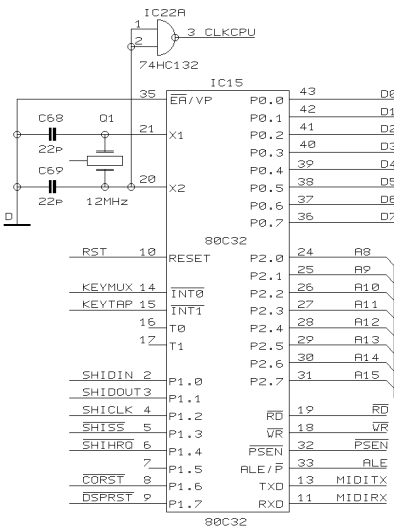


REVISIONS C (12/10/01)

DRAWN TZ CHECKED DATE 26.03. 2 12:04



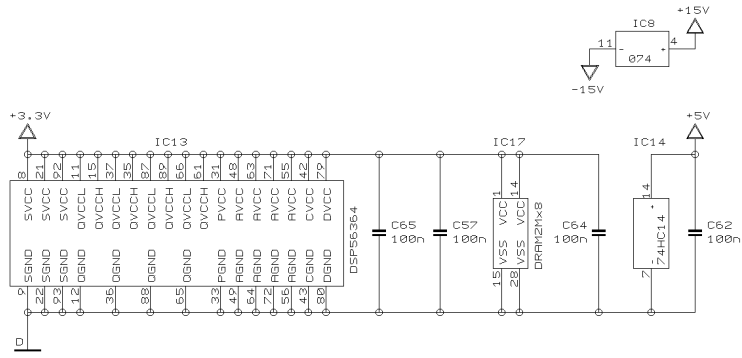
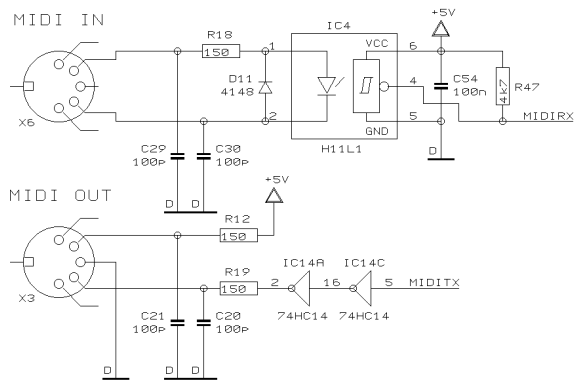
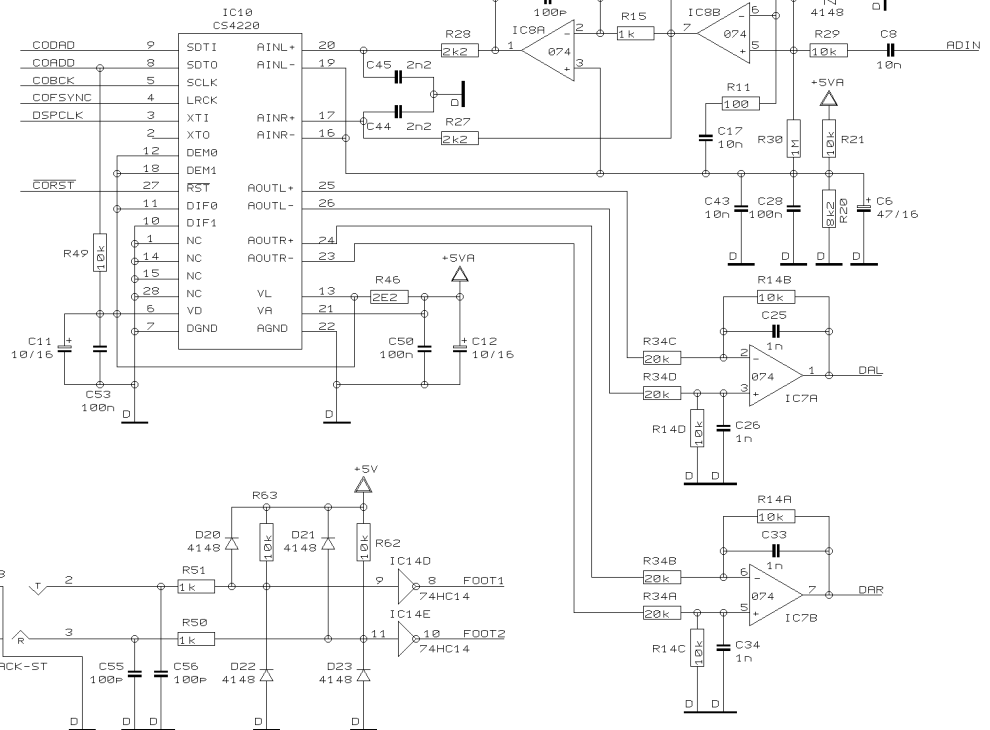
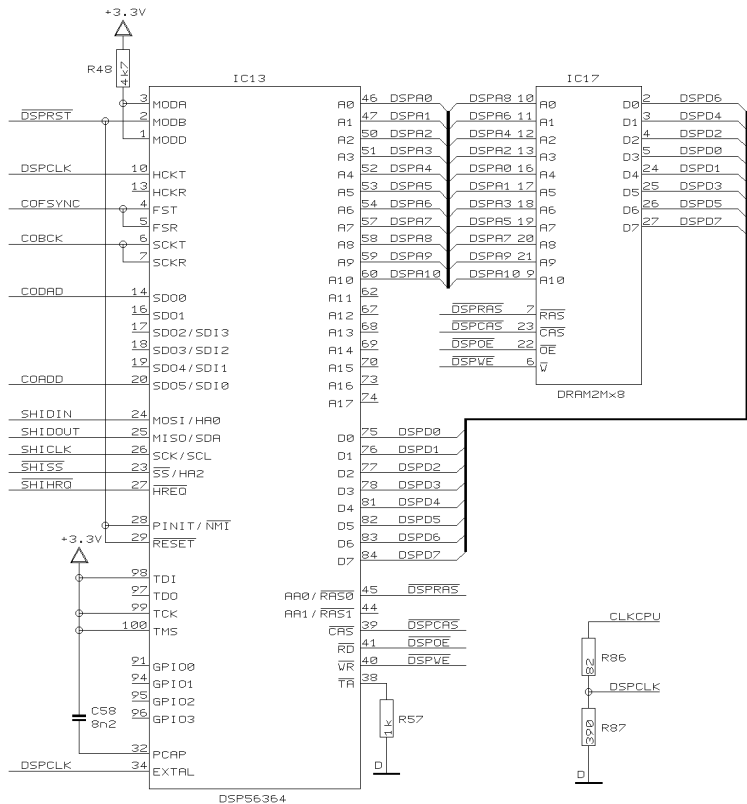
PROJECT VAMP2 VIRTUAL AMPLIFICATION LED & ENCODER SHEET 1 OF 4 SHEETS TOTAL



REVISIONS	C	
DRAWN	TZ	CHECKED
DATE	26.03.2	12:04



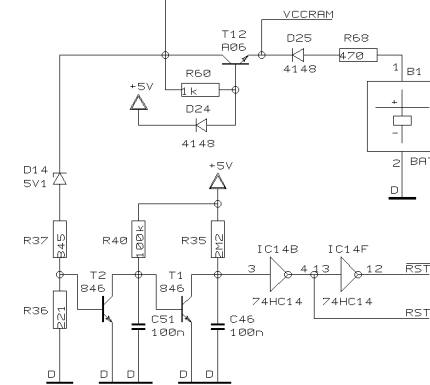
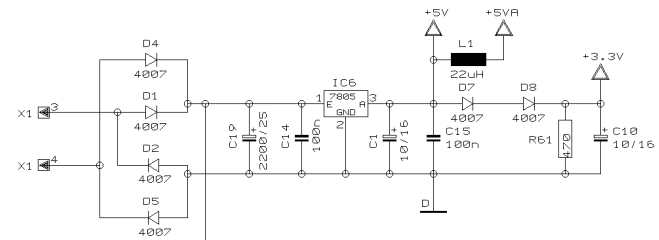
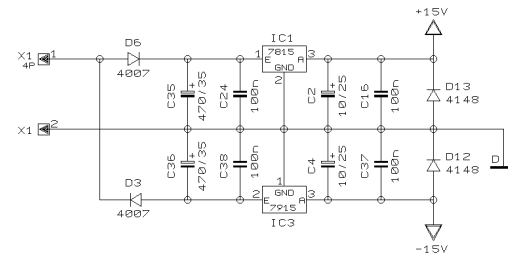
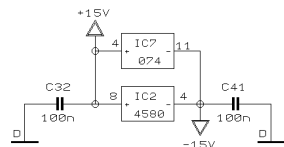
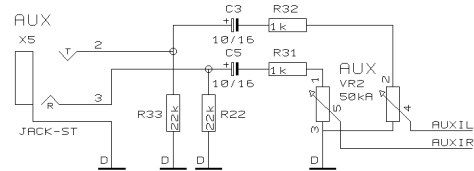
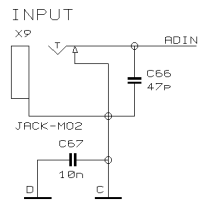
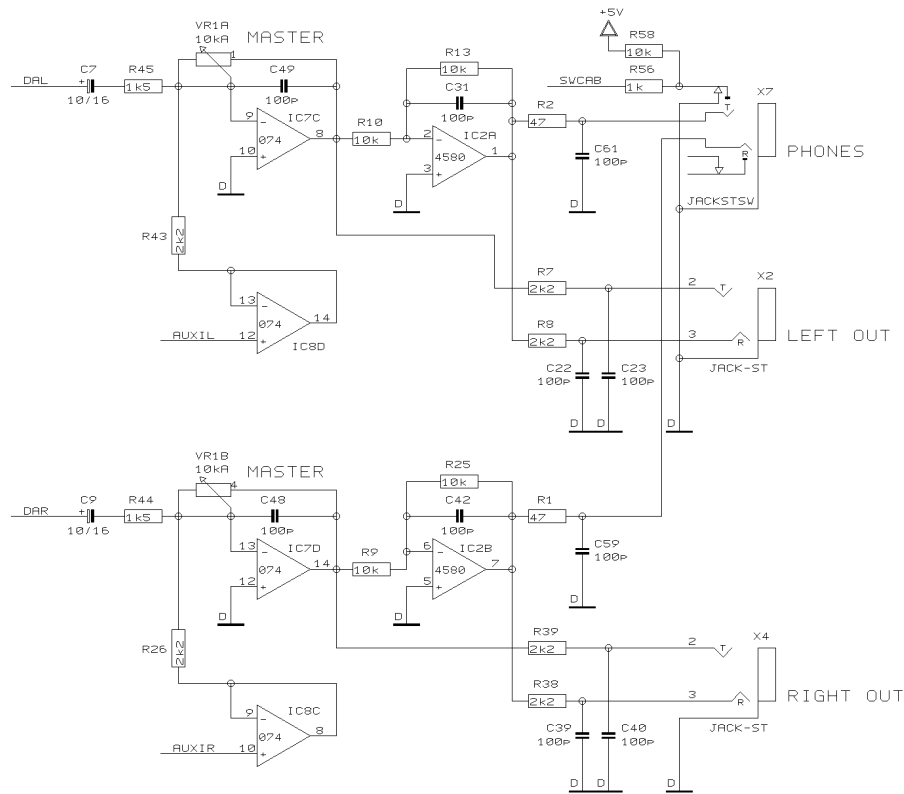
PROJECT  
 VAMP2  
 VIRTUAL AMPLIFICATION  
 DIGITAL SECTION  
 SHEET 2 OF 4 SHEETS TOTAL



REVISIONS	C	
DRAWN	TZ	CHECKED
DATE	26.03.2	12:05



PROJECT  
VAMP2  
VIRTUAL AMPLIFICATION  
AD/DA & MIDI  
SHEET 3 OF 4 SHEETS TOTAL



REVISIONS		C	
DRAWN	TZ	CHECKED	DATE 26.03. 2 12:05



PROJECT  
VAMP2  
VIRTUAL AMPLIFICATION  
INPUT & PSU  
SHEET 4 OF 4 SHEETS TOTAL