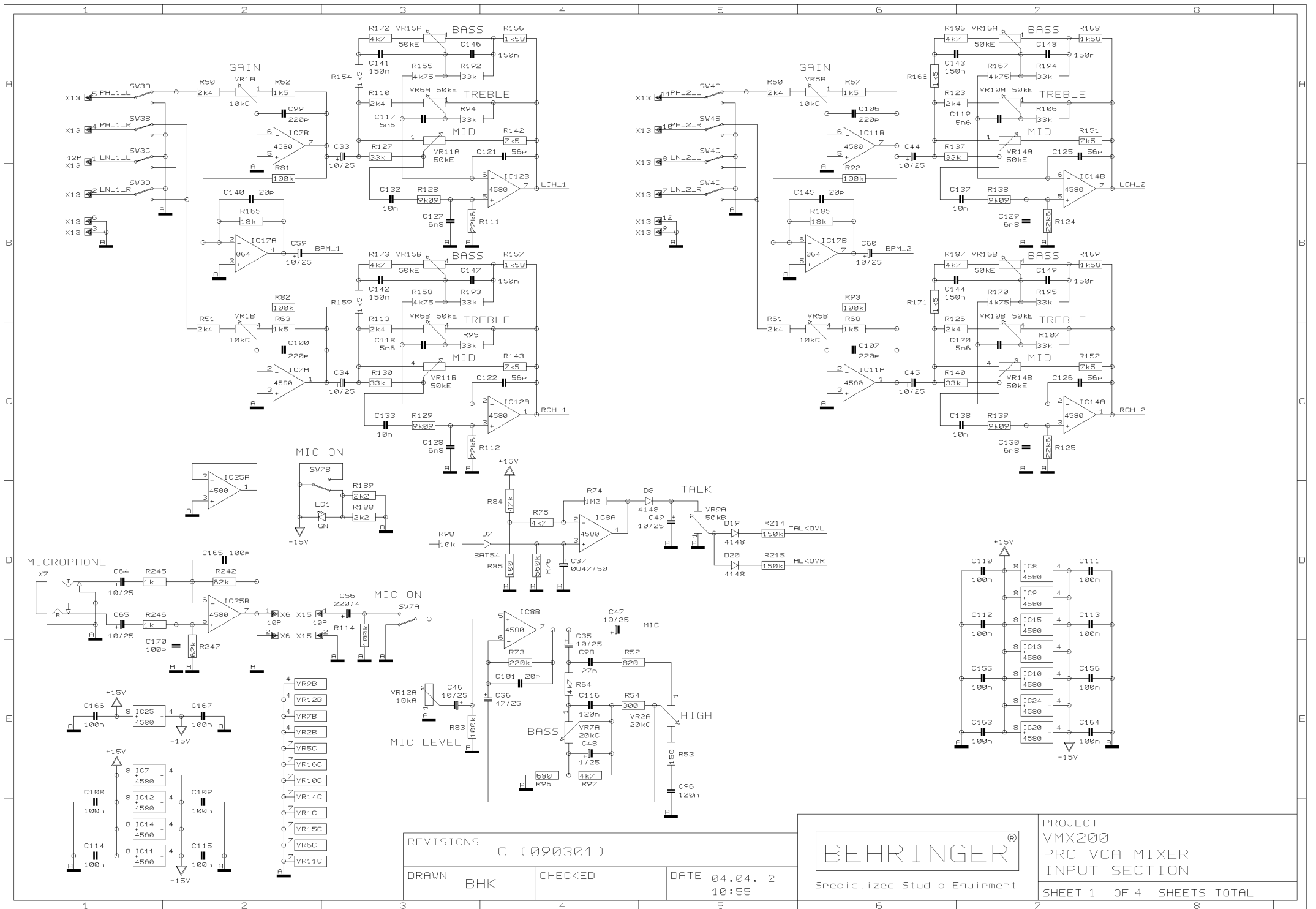


REVISIONS		C	
DRAWN	BHK	CHECKED	DATE 04.04. 2 10:56





REVISIONS
C (090301)

DRAWN BHK

CHECKED

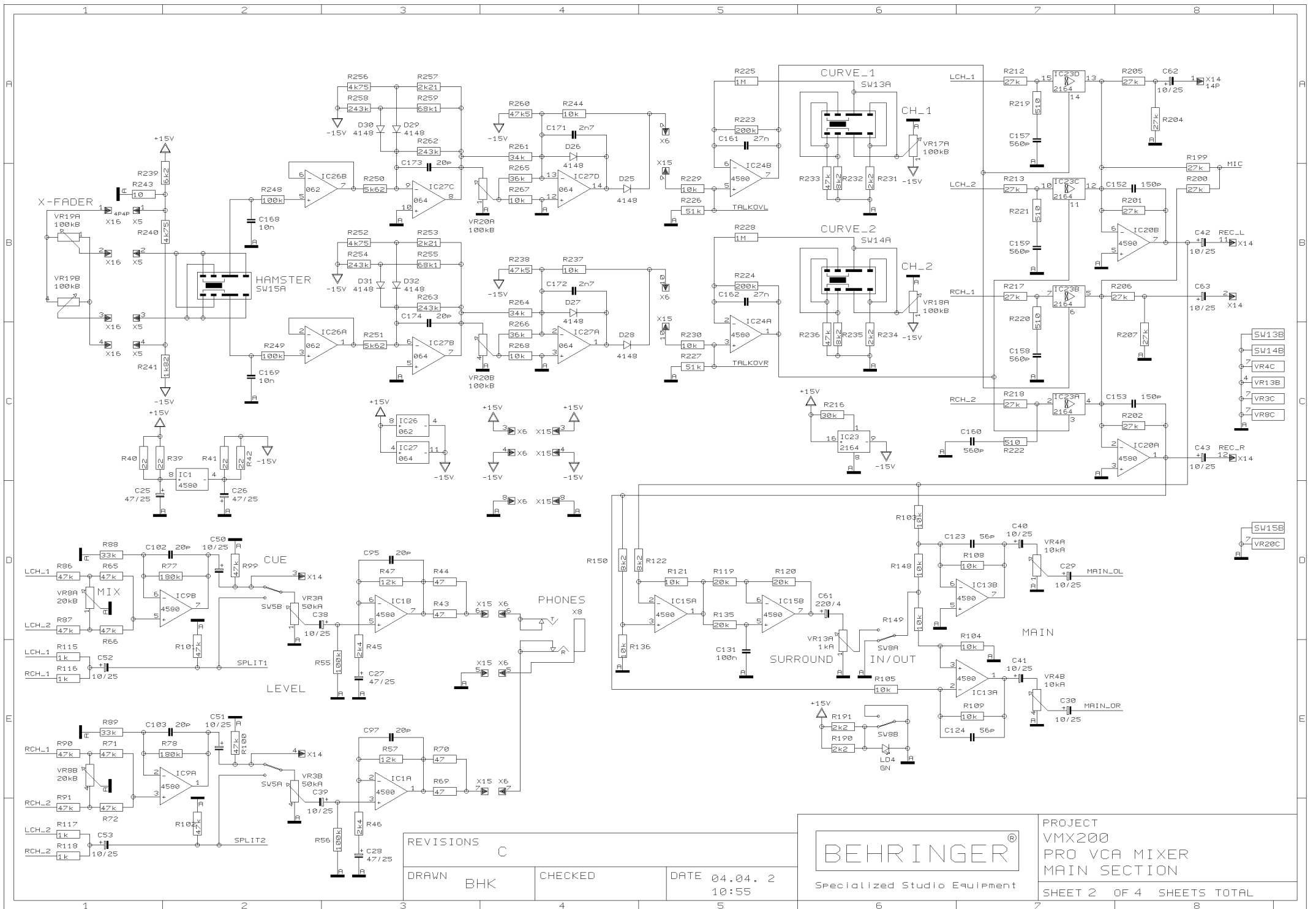
DATE 04.04. 2
10:55

BEHRINGER®

Specialized Studio Equipment

PROJECT
VMX200
PRO VCA MIXER
INPUT SECTION

SHEET 1 OF 4 SHEETS TOTAL



REVISIONS C

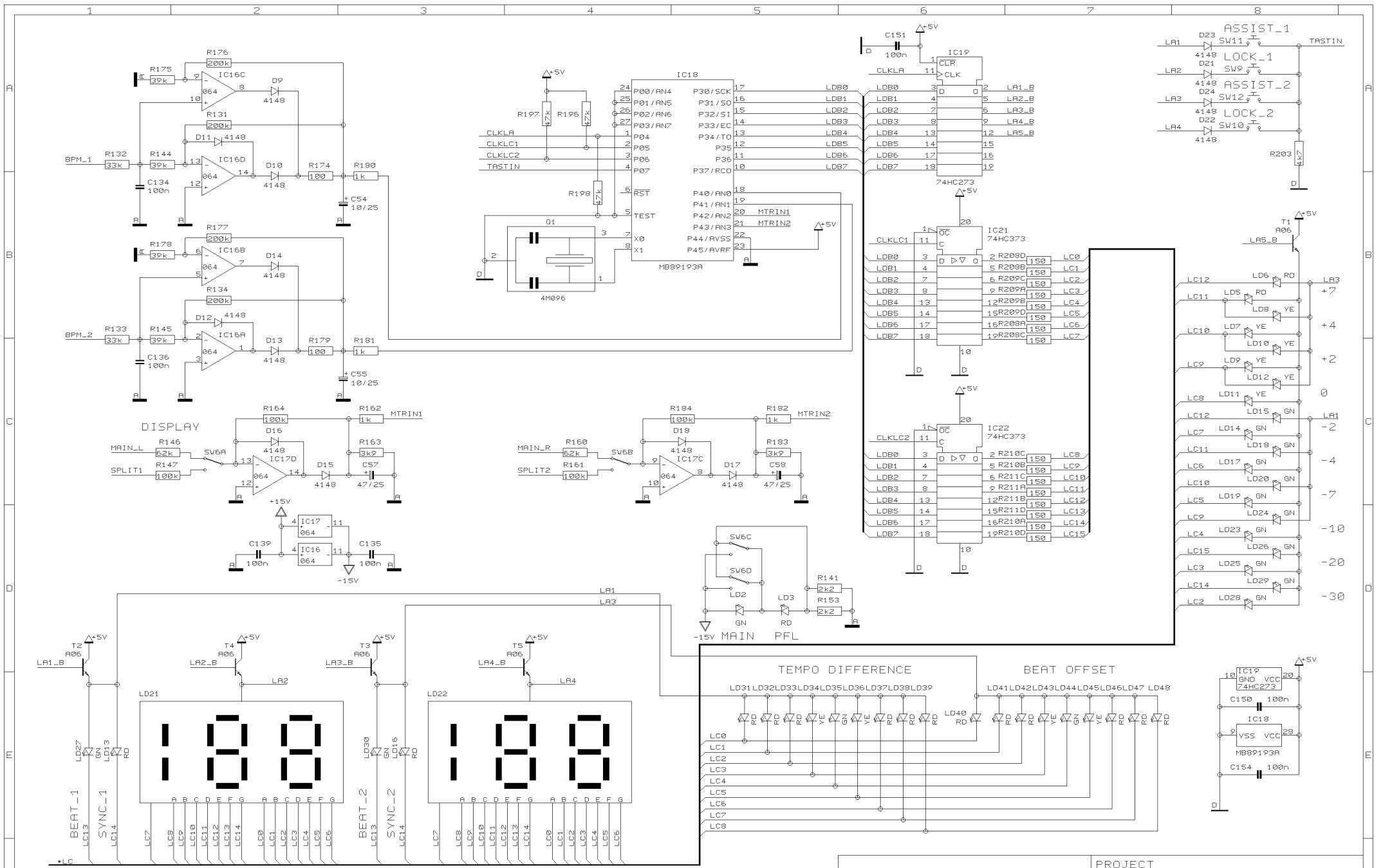
DRAWN BHK

CHECKED

DATE 04.04. 2
10:55



PROJECT
VMX200
PRO VCA MIXER
MAIN SECTION
SHEET 2 OF 4 SHEETS TOTAL



REVISIONS
C

DRAWN BHK

CHECKED

DATE 04.04. 2
10:56



PROJECT
VMX200
PRO VCA MIXER
BEAT COUNTER / VU
SHEET 3 OF 4 SHEETS TOTAL