

REVISIONS C (09/04/02)

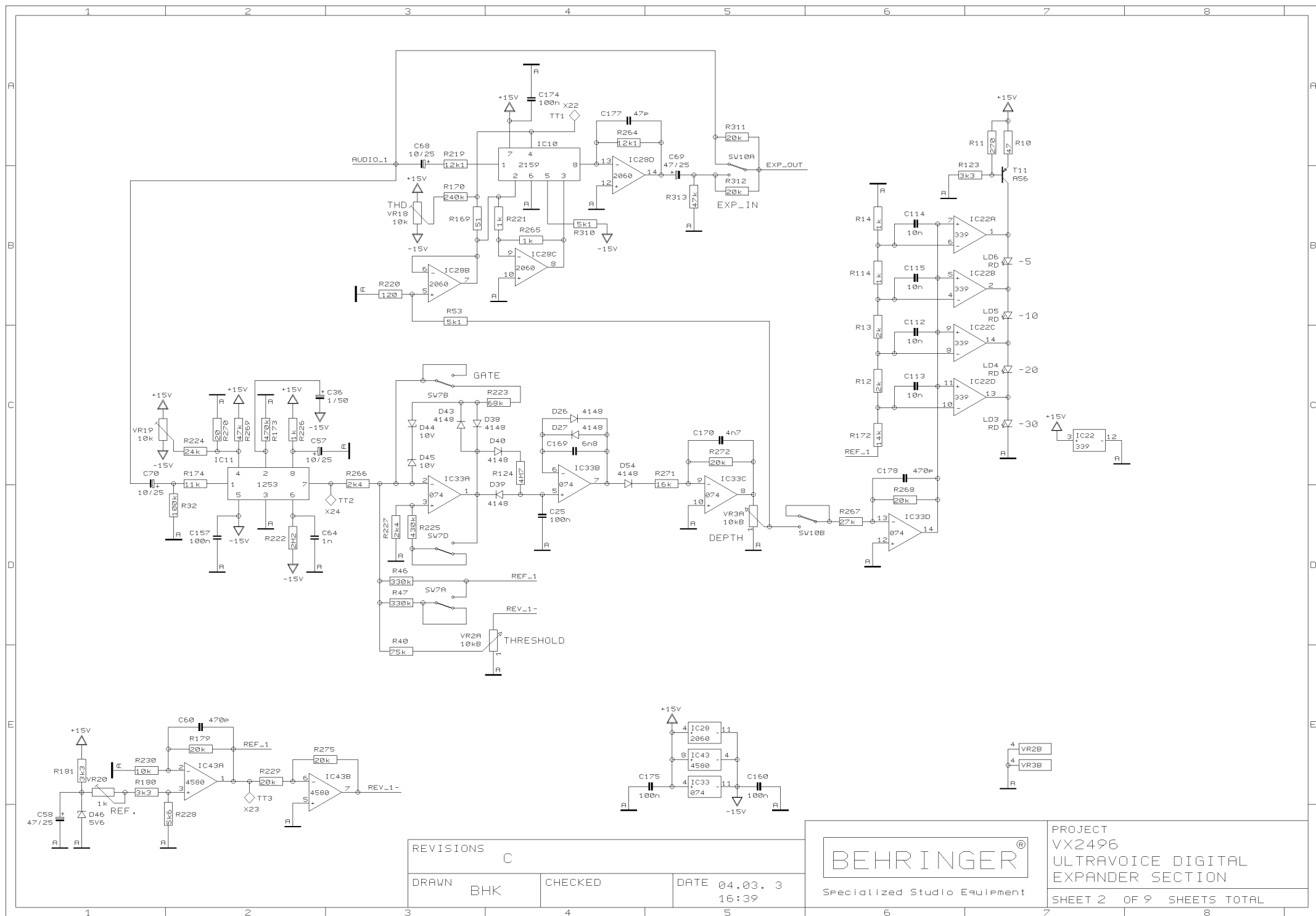
DRAWN BHK

CHECKED

DATE 04.03. 3
16:39



PROJECT
VX2496
ULTRAVOICEDIGITAL
MIC/LINE SECTION
SHEET 1 OF 9 SHEETS TOTAL



REVISIONS

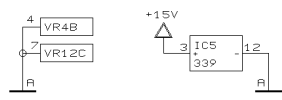
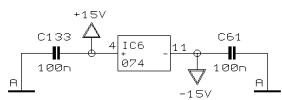
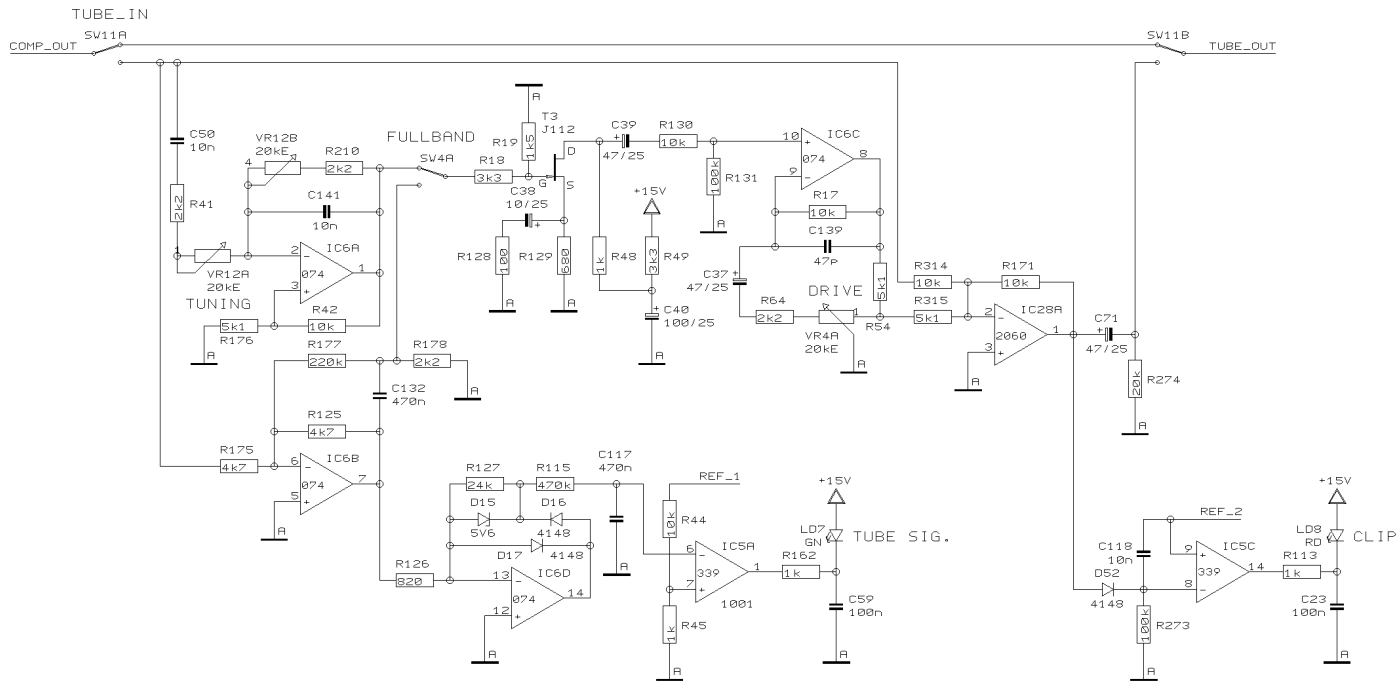
DRAWN BHK

CHECKED

DATE 04.03. 3
16:39



PROJECT
VX2496
ULTRAVOICE DIGITAL
EXPANDER SECTION
SHEET 2 OF 9 SHEETS TOTAL



REVISIONS

C

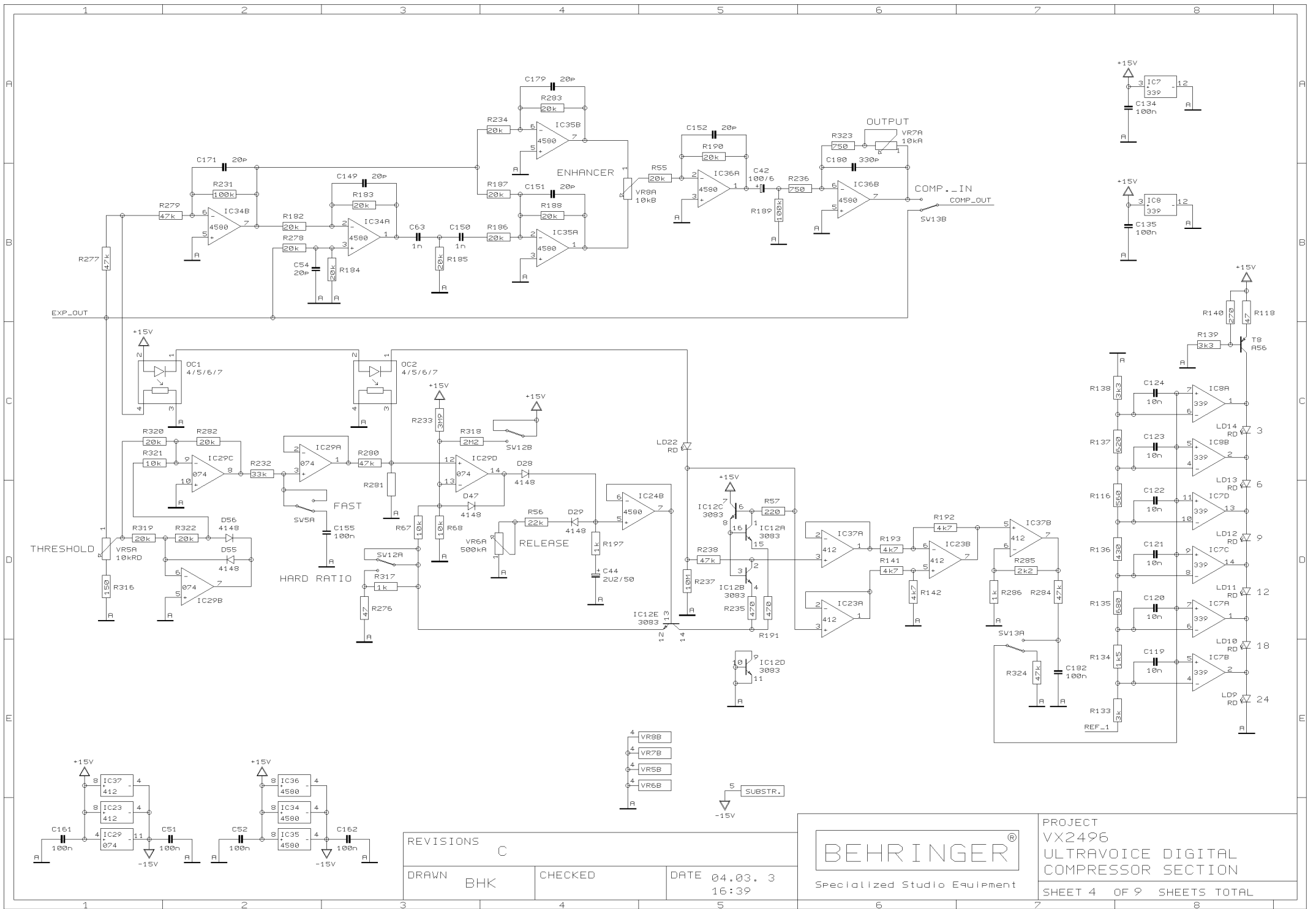
DRAWN BHK

CHECKED

DATE 04.03. 3
16:39



PROJECT
VX2496
ULTRAVOICE DIGITAL
TUBE EMULATION SECTION
SHEET 3 OF 9 SHEETS TOTAL



REVISIONS
C

DRAWN BHK

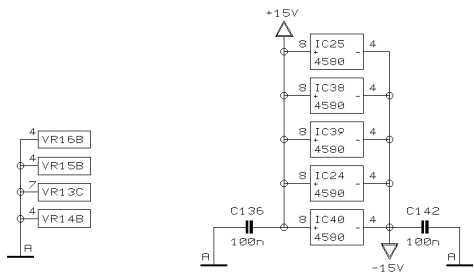
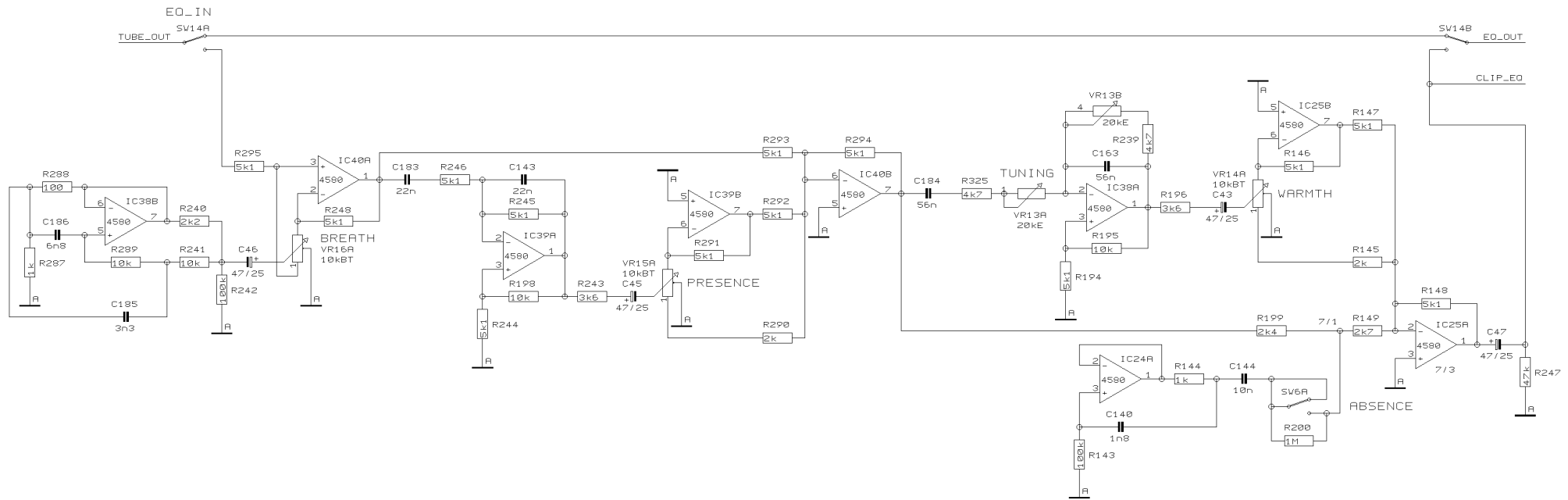
CHECKED

DATE 04.03. 3
16:39



PROJECT
VX2496
ULTRAVOICE DIGITAL
COMPRESSOR SECTION

SHEET 4 OF 9 SHEETS TOTAL



REVISIONS C

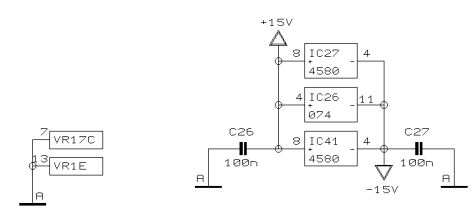
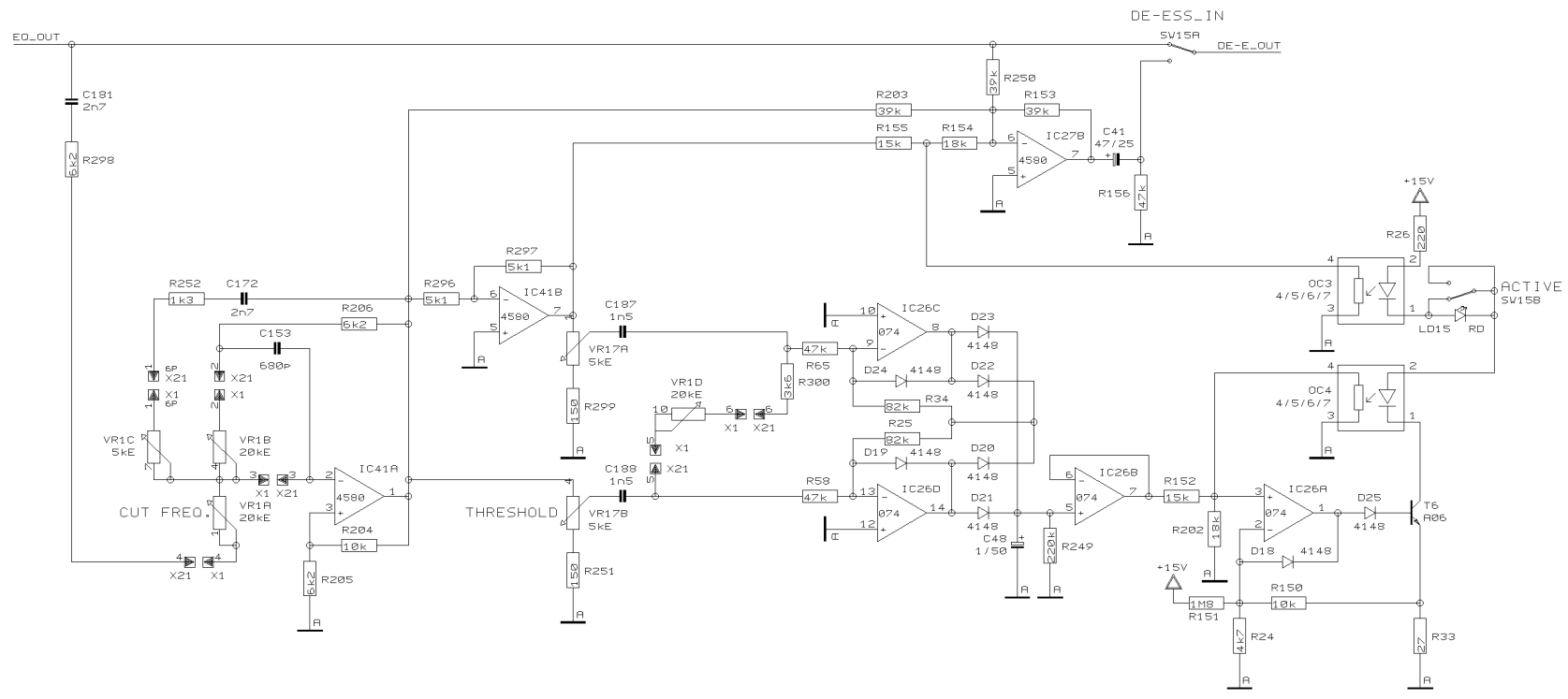
DRAWN BHK

CHECKED

DATE 04.03. 3
16:39



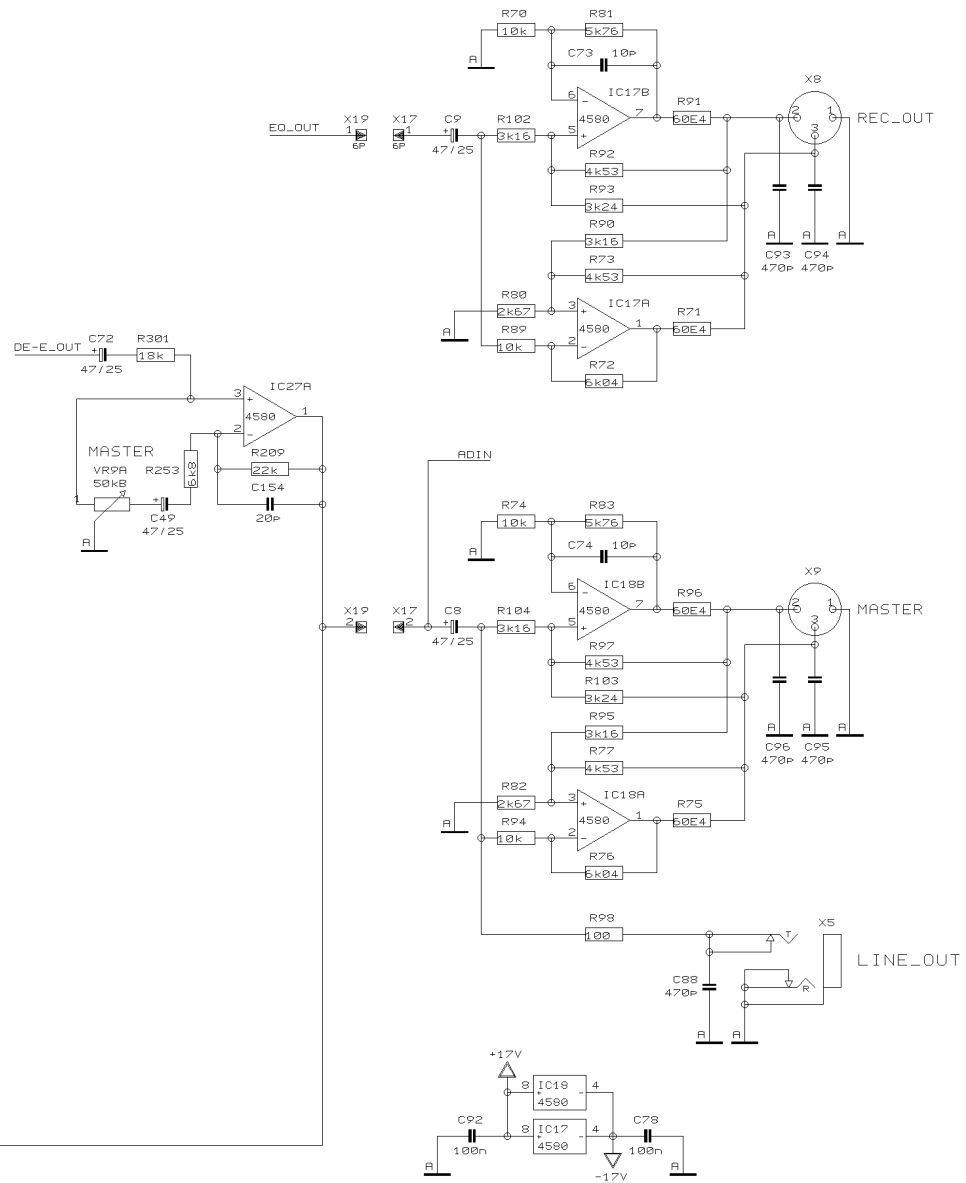
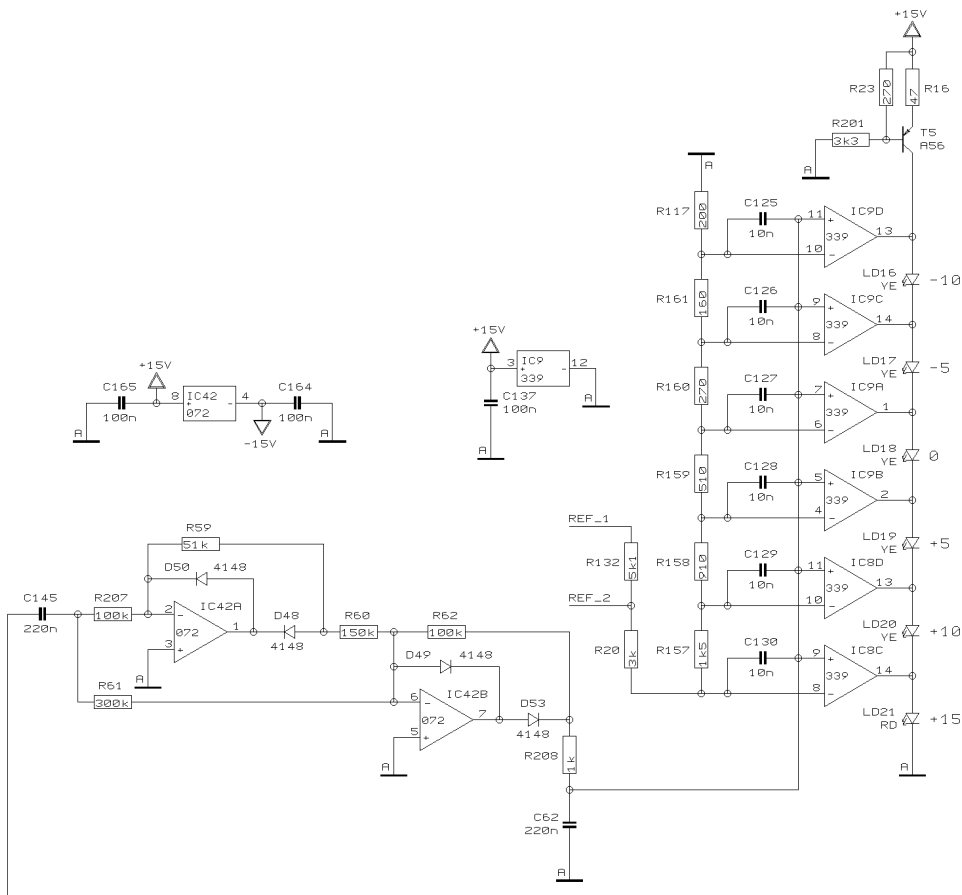
PROJECT
VX2496
ULTRAVOICE DIGITAL
FILTER SECTION
SHEET 5 OF 9 SHEETS TOTAL



REVISIONS		C	
DRAWN	BHK	CHECKED	DATE 04.03. 3 16:39



PROJECT
VX2496
ULTRAVOICE DIGITAL
DE-ESSER SECTION
SHEET 6 OF 9 SHEETS TOTAL



4 VRPB

REVISIONS

C

DRAWN

BHK

CHECKED

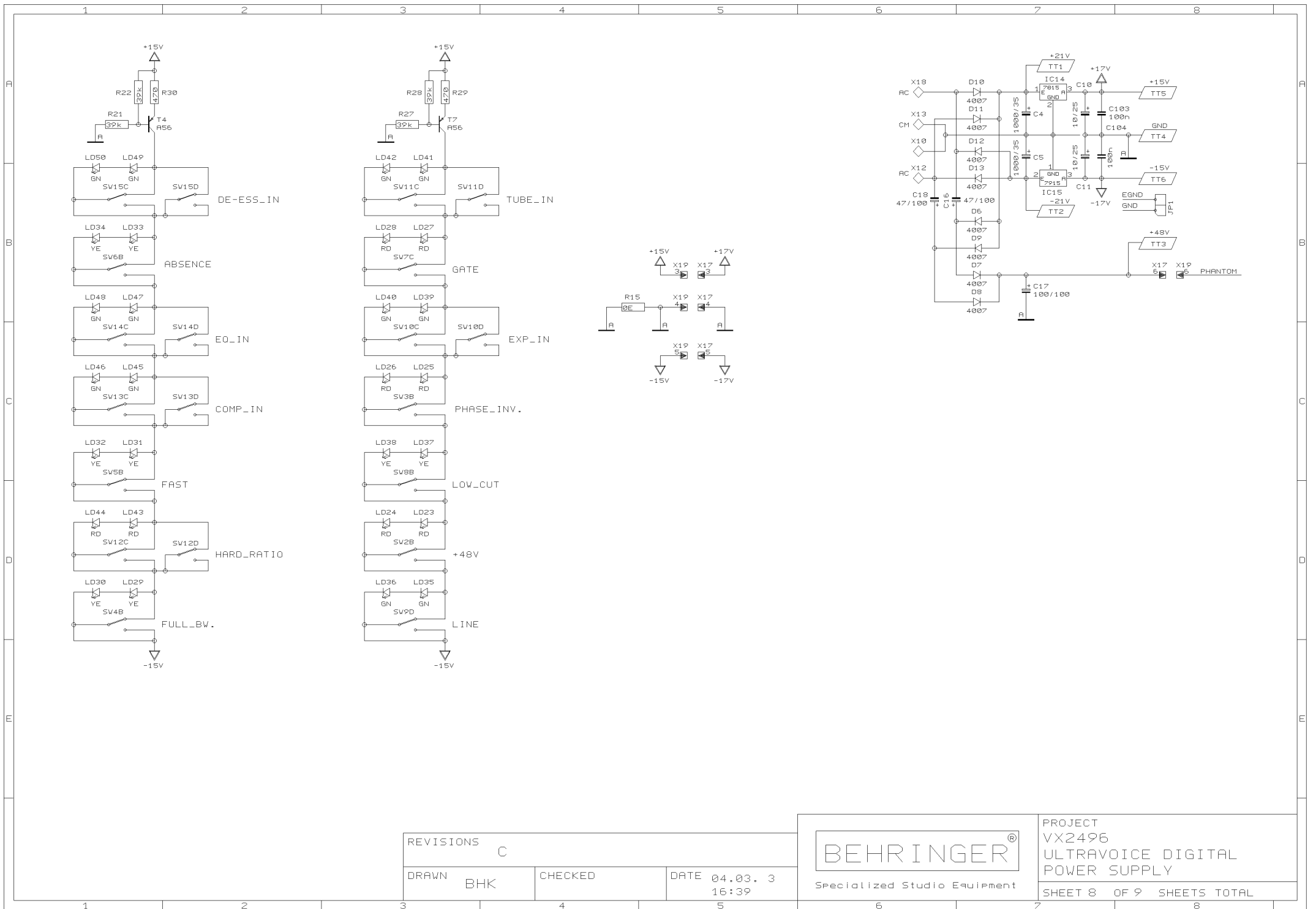
DATE 04.03. 3
16:39

BEHRINGER®

Specialized Studio Equipment

PROJECT
VX2496
ULTRAVOICEDIGITAL
OUTPUT SECTION

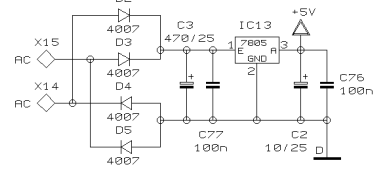
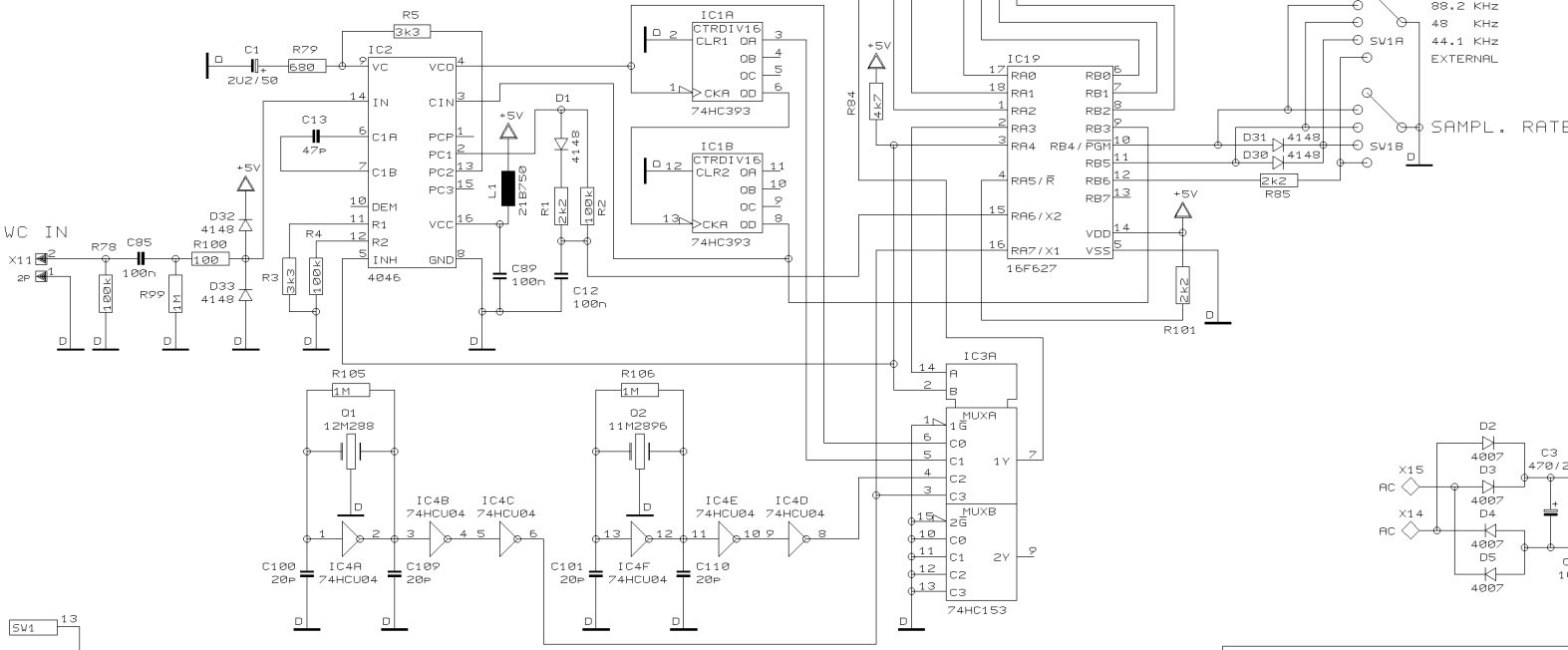
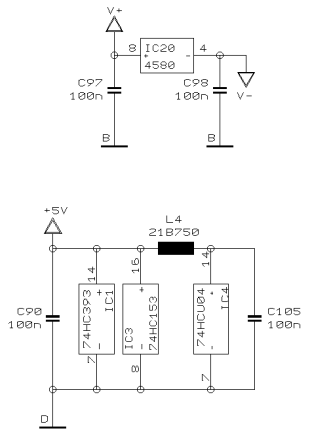
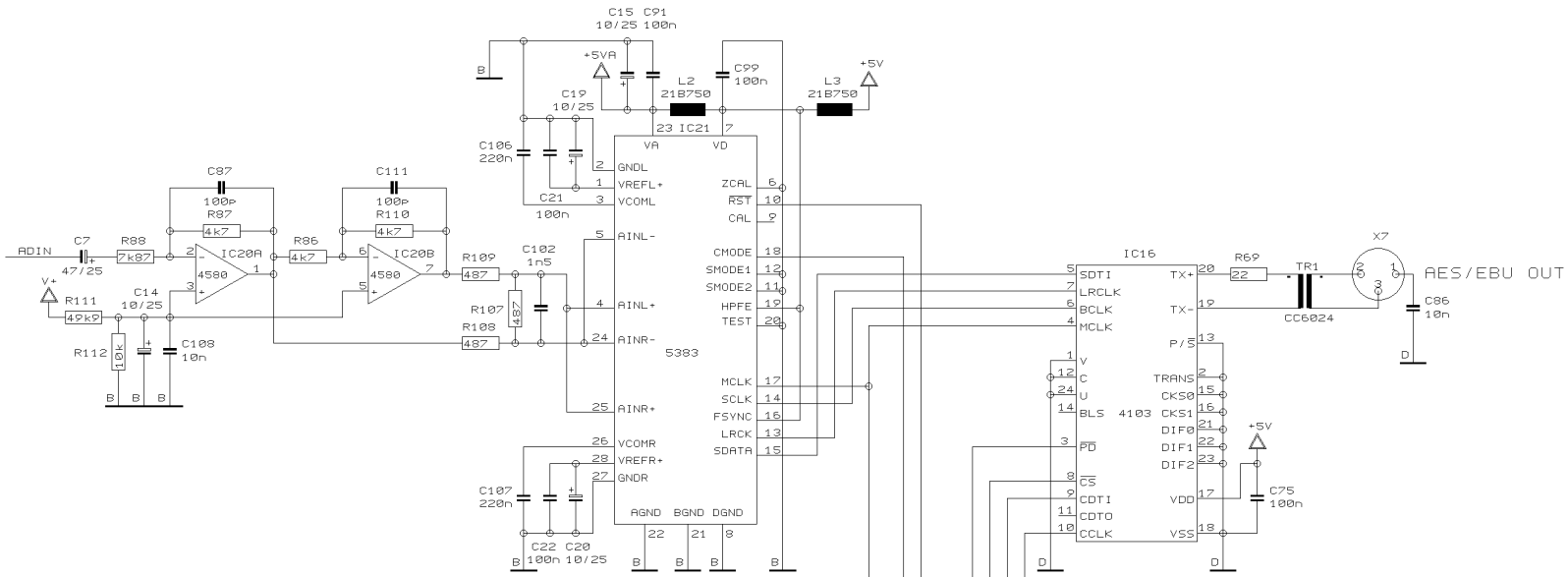
SHEET 7 OF 9 SHEETS TOTAL



REVISIONS		C	
DRAWN	BHK	CHECKED	DATE 04.03. 3 16:39



PROJECT	VX2496
ULTRAVOICE DIGITAL	POWER SUPPLY
SHEET 8	OF 9 SHEETS TOTAL



- 96 KHz
- 88.2 KHz
- 48 KHz
- 44.1 KHz
- EXTERNAL

SAMPL. RATE

REVISIONS		C	
DRAWN	BHK	CHECKED	
DATE		04.03. 3	
		16:39	

BEHRINGER[®]

Specialized Studio Equipment

PROJECT	VX2496
ULTRAVOICE DIGITAL	
DIGITAL OUT	
SHEET 9	OF 9 SHEETS TOTAL