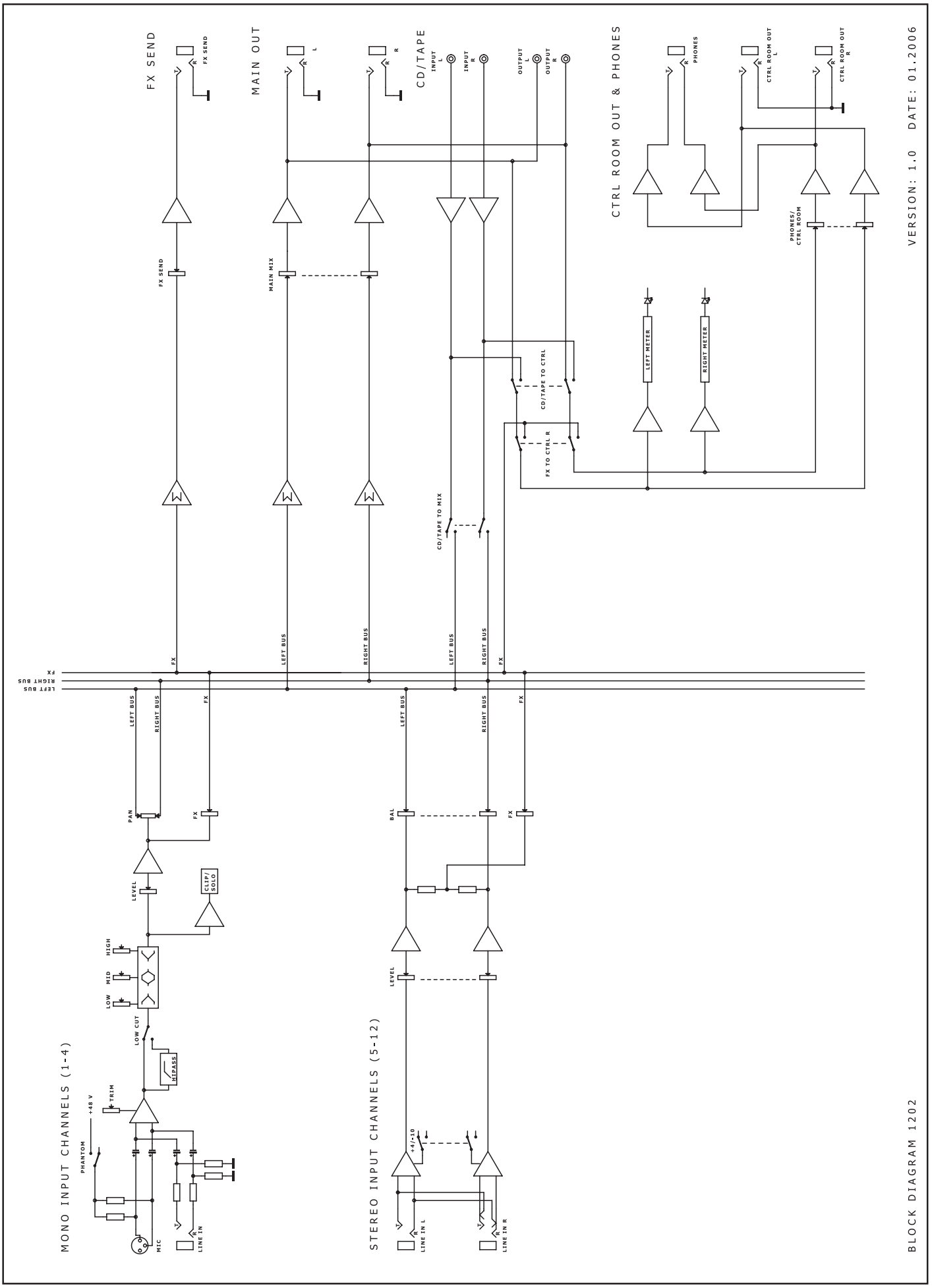
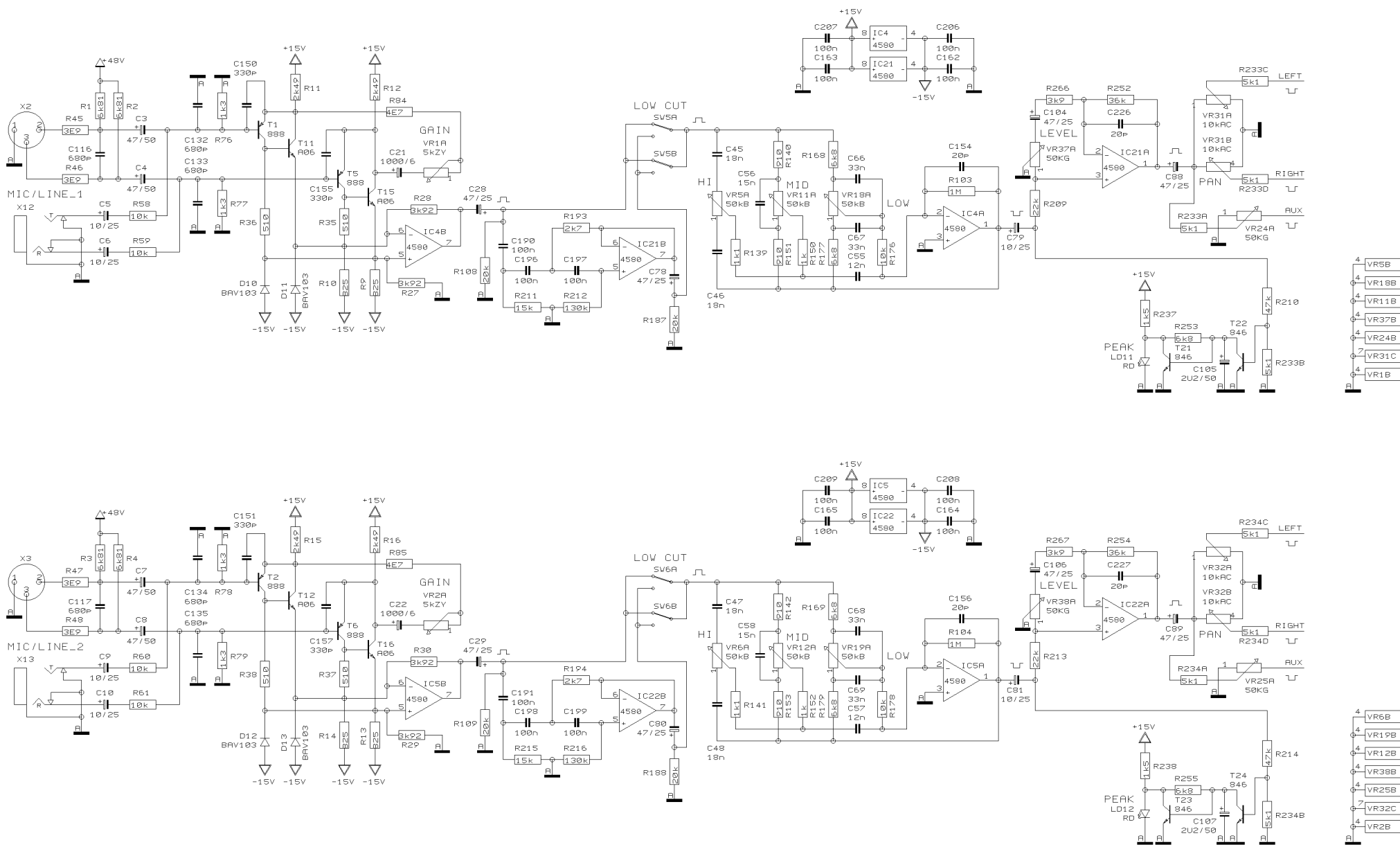


Block Diagram of XENYX 1202





REVISIONS A (09/02/06)

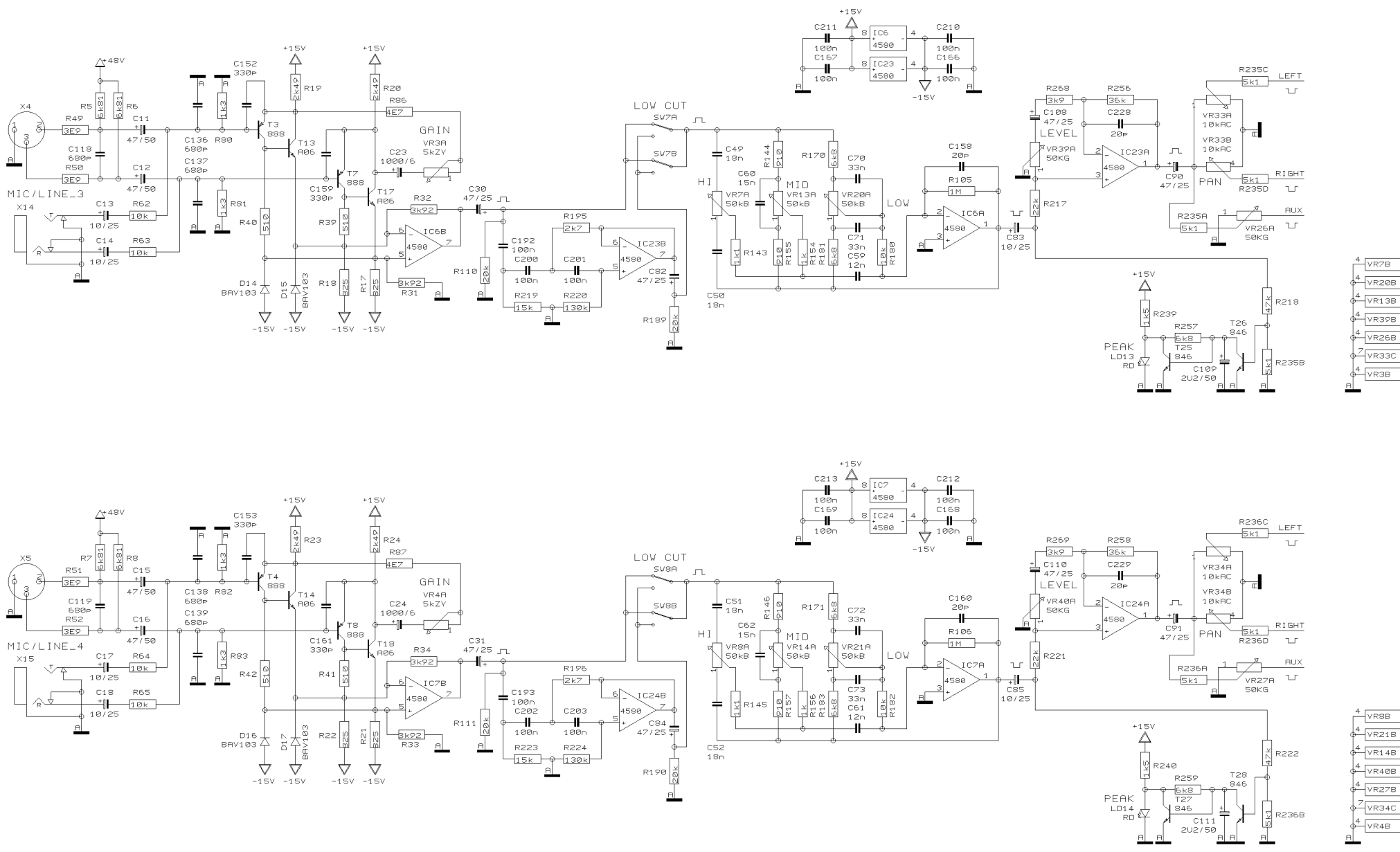
DRAWN BHK

CHECKED

DATE 14.02. 6
15:16



PROJECT 1202
XENYX 1202
INPUT CH. 1/2
SHEET 1 OF 4 SHEETS TOTAL



REVISIONS A

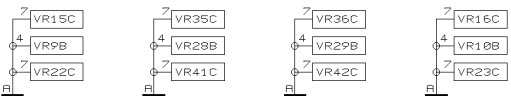
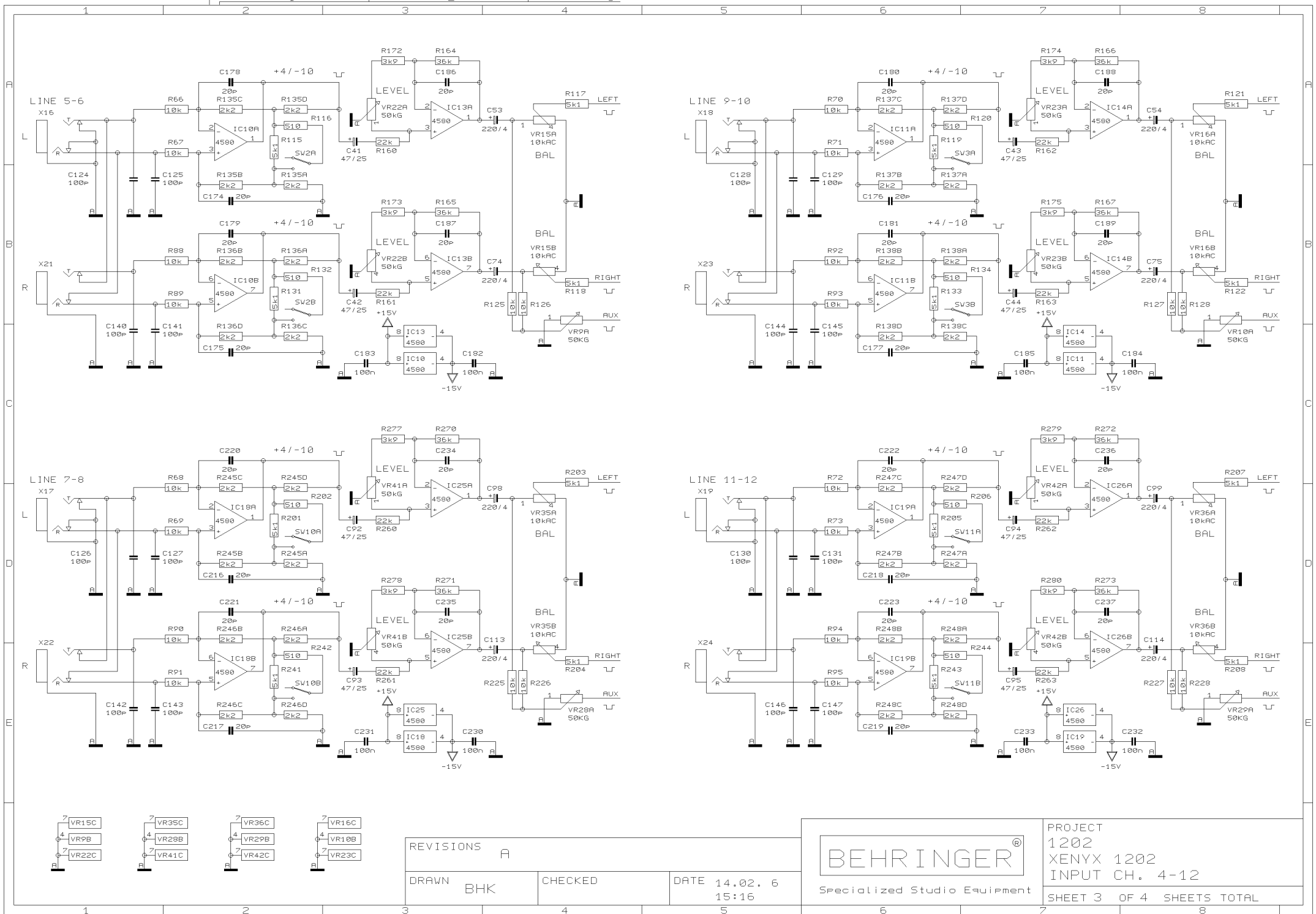
DRAWN BHK

CHECKED

DATE 14.02. 6
15:16



PROJECT
1202
XENYX 1202
INPUT CH. 3/4
SHEET 2 OF 4 SHEETS TOTAL



REVISIONS A

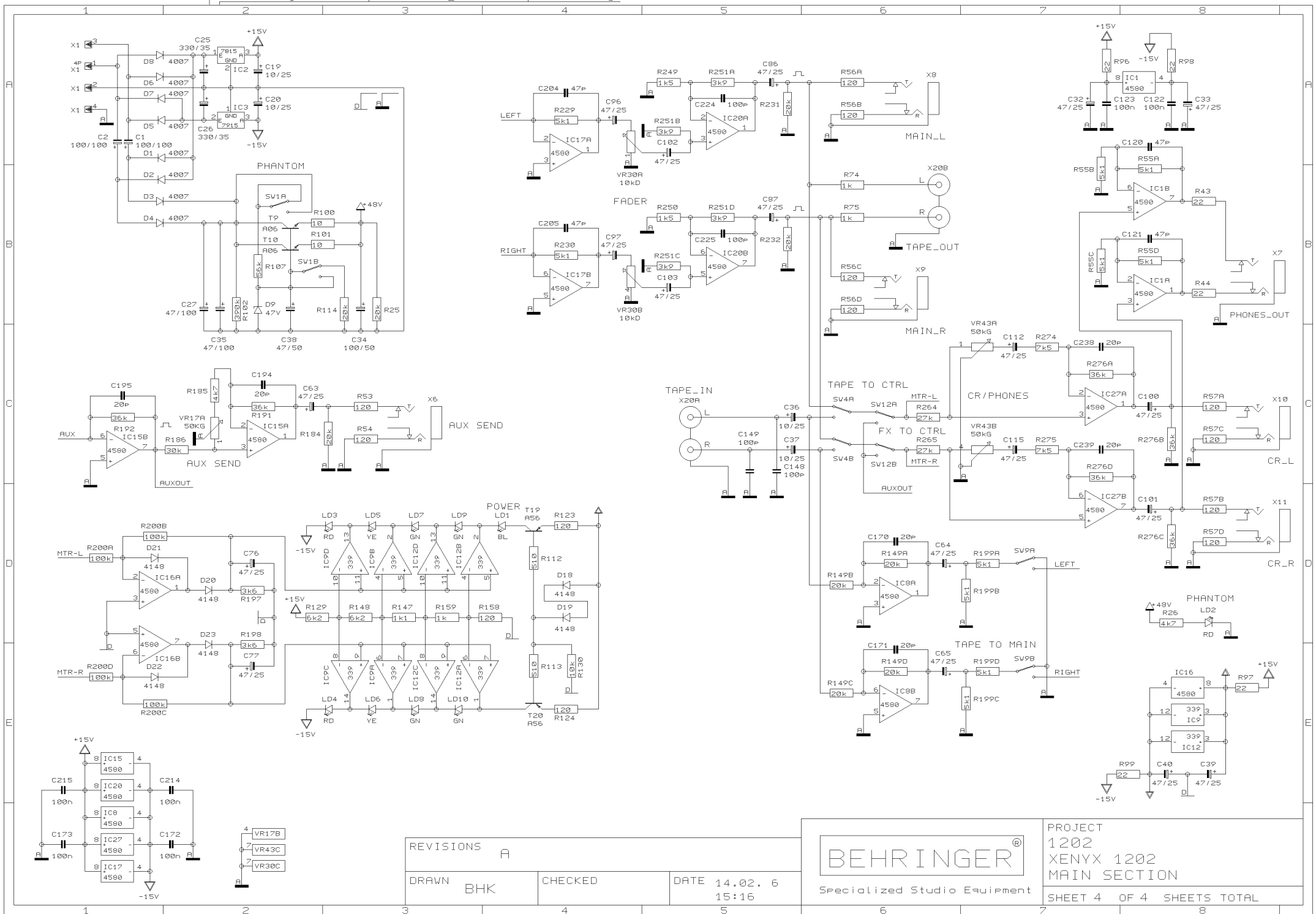
DRAWN BHK

CHECKED

DATE 14.02. 6
15:16



PROJECT
1202
XENYX 1202
INPUT CH. 4-12
SHEET 3 OF 4 SHEETS TOTAL



REVISIONS A

DRAWN BHK

CHECKED

DATE 14.02. 6
15:16



PROJECT
1202
XENYX 1202
MAIN SECTION
SHEET 4 OF 4 SHEETS TOTAL