

REVISIONS
A (10/02/06)

DRAWN
BHK

CHECKED

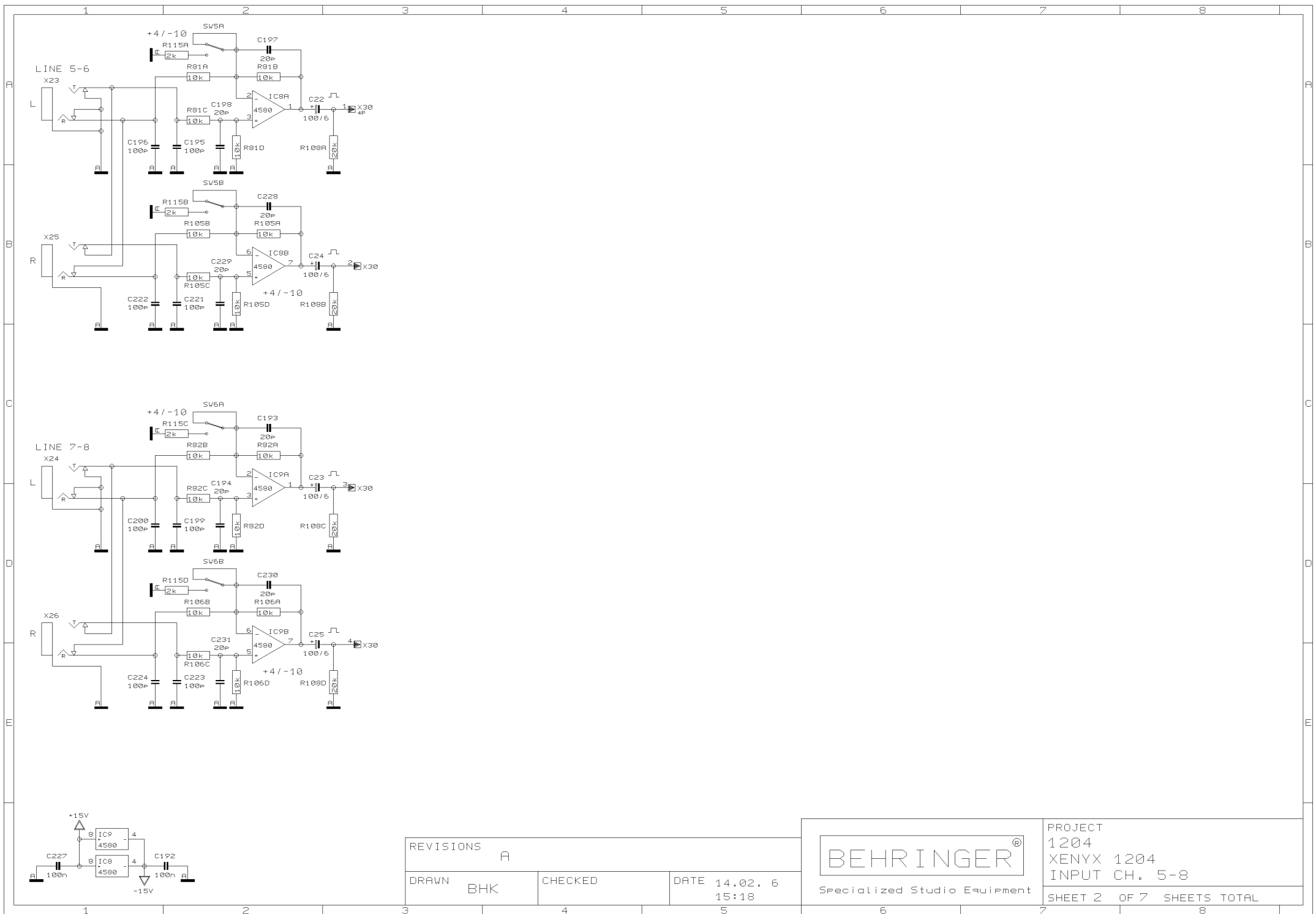
DATE 14.02. 6
15:18

BEHRINGER®

Specialized Studio Equipment

PROJECT
1204
XENYX 1204
MIC INPUT CH. 1-4

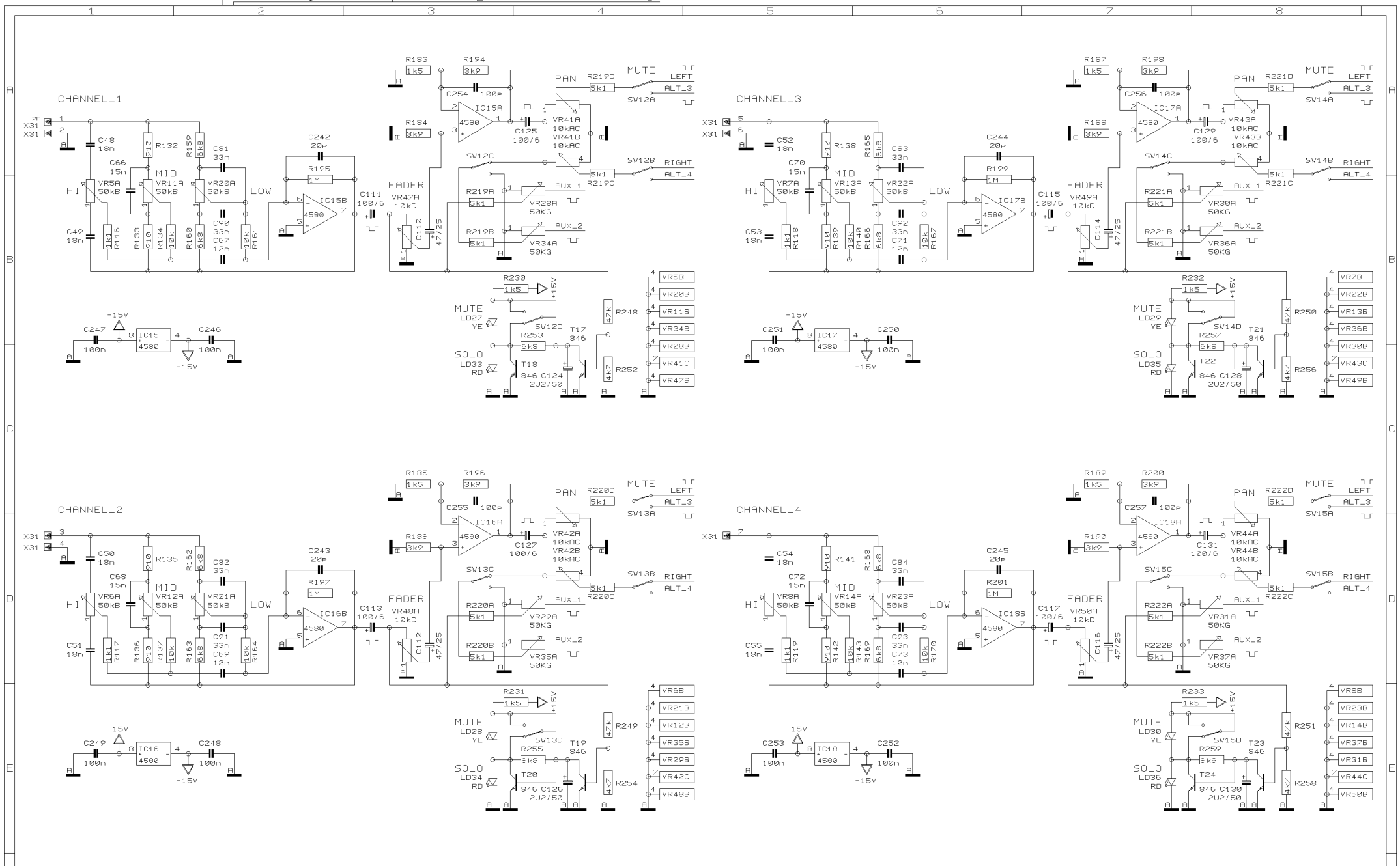
SHEET 1 OF 7 SHEETS TOTAL



REVISIONS		A
DRAWN	BHK	CHECKED
DATE		14.02.6 15:18


 Specialized Studio Equipment

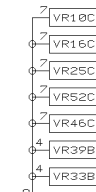
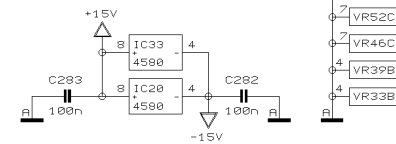
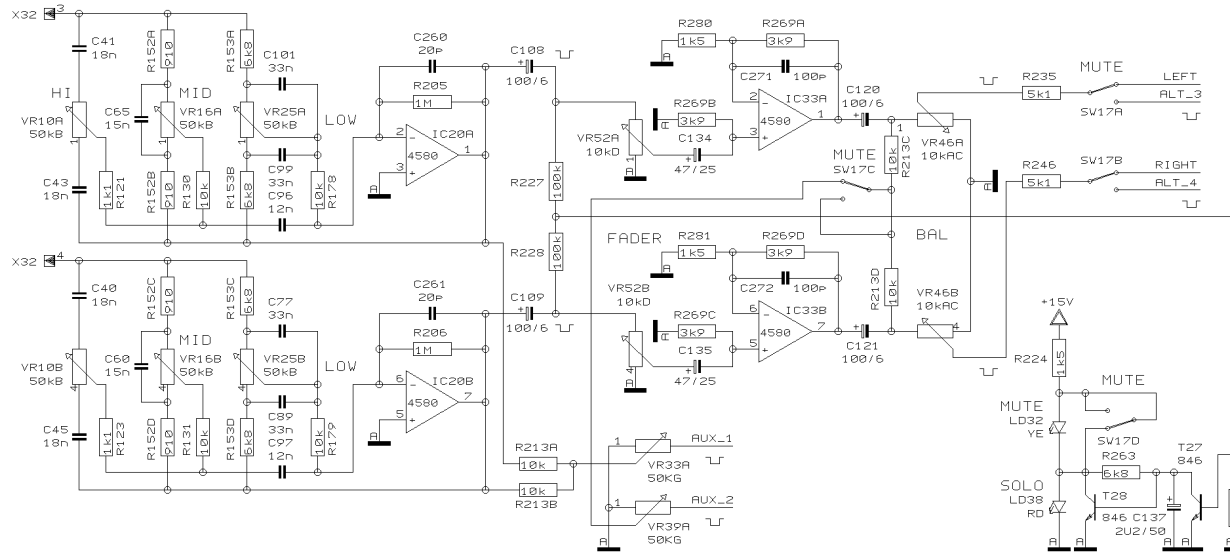
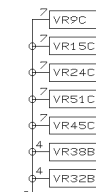
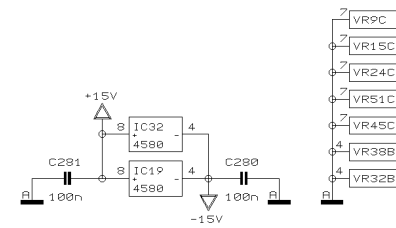
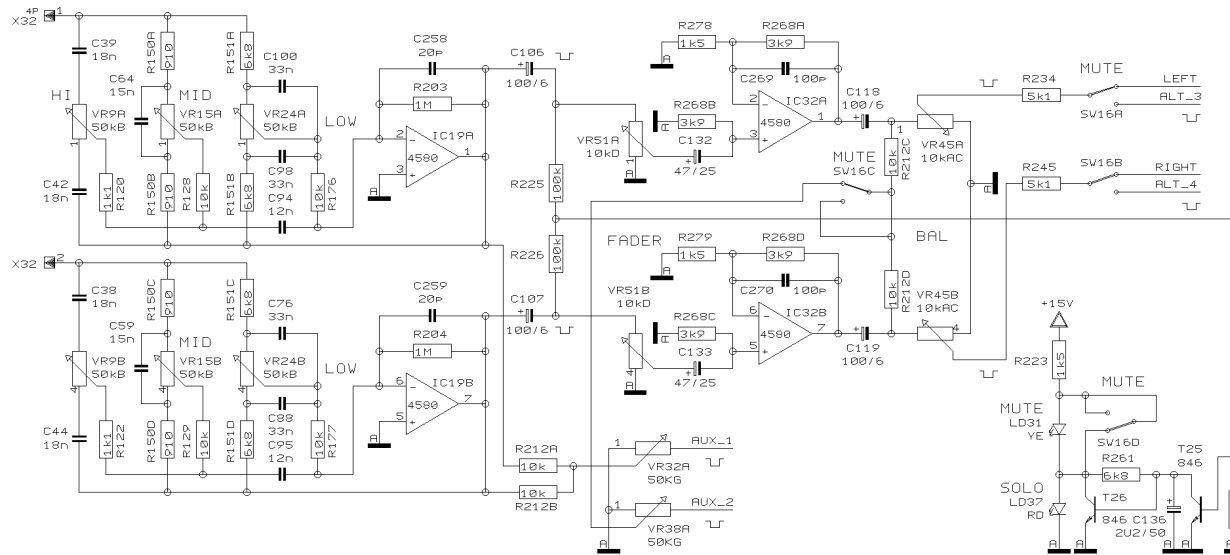
PROJECT	1204
XENYX 1204	INPUT CH. 5-8
SHEET 2 OF 7 SHEETS TOTAL	



REVISIONS	A		
DRAWN	BHK	CHECKED	DATE 14.02. 6 15:18



PROJECT
1204
XENYX 1204
CHANNEL 1 & 2
SHEET 3 OF 7 SHEETS TOTAL



REVISIONS
A

DRAWN
BHK

CHECKED

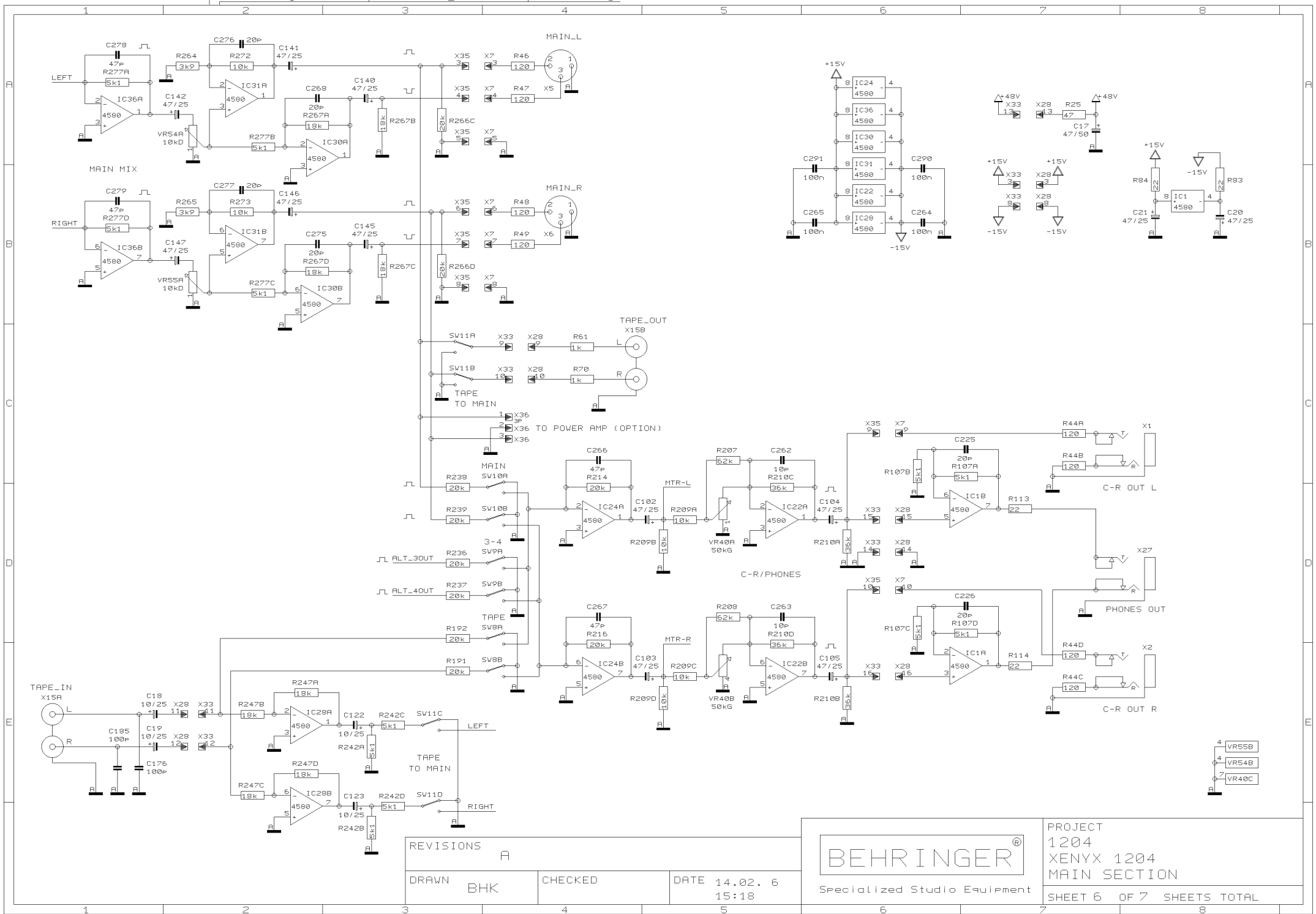
DATE 14.02. 6
15:18



Specialized Studio Equipment

PROJECT
1204
XENYX 1204
STEREO CHANNEL 5-8

SHEET 4 OF 7 SHEETS TOTAL

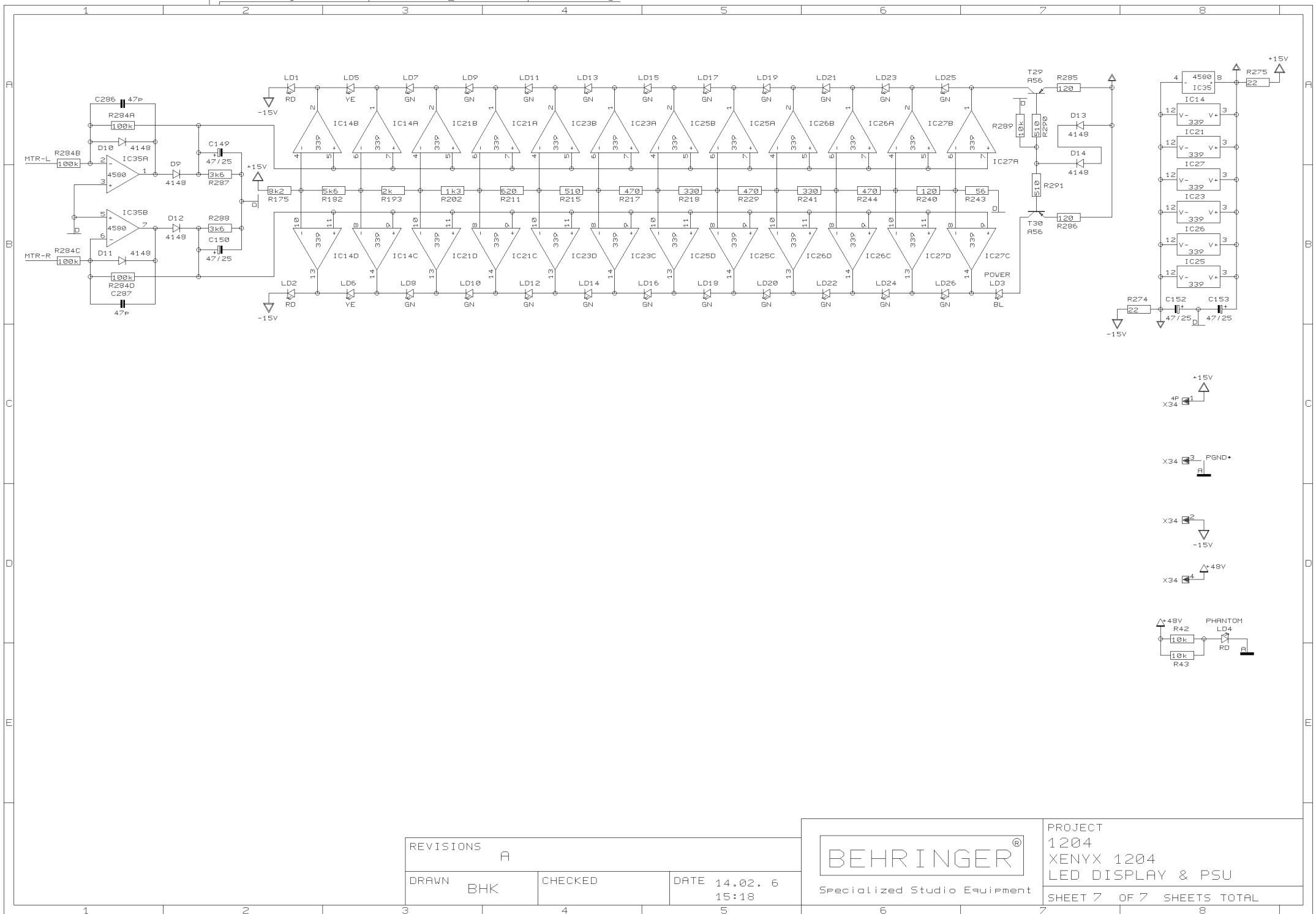


REVISIONS		A	
DRAWN	BHK	CHECKED	
DATE		14.02. 6	
		15:18	



PROJECT
1204
XENYX 1204
MAIN SECTION
SHEET 6 OF 7 SHEETS TOTAL

- 4 VR55B
- 4 VR54B
- 7 VR40C



REVISIONS		A	
DRAWN	BHK	CHECKED	DATE 14.02. 6 15:18



PROJECT
1204
XENYX 1204
LED DISPLAY & PSU
SHEET 7 OF 7 SHEETS TOTAL