

REVISIONS E (300101)

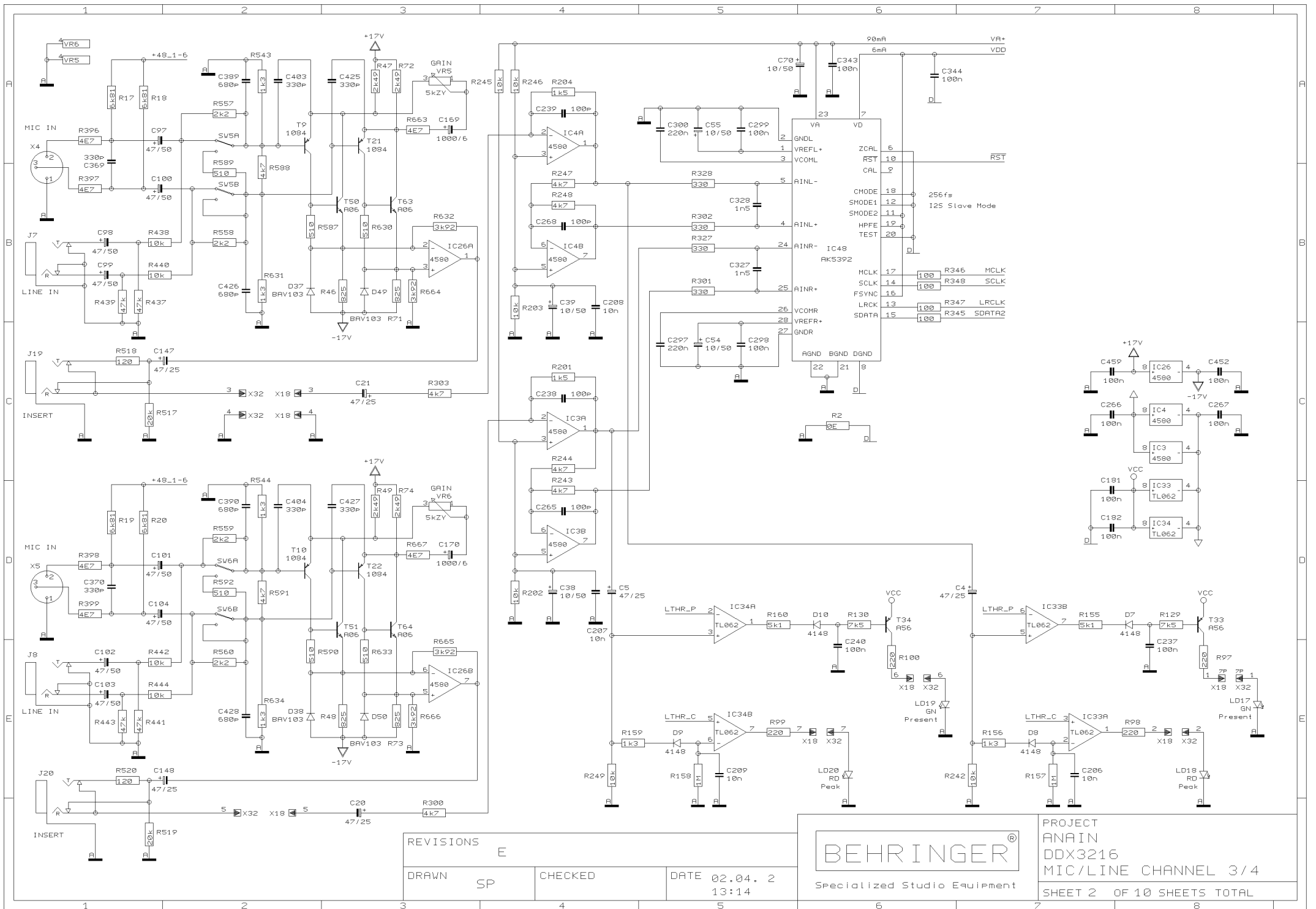
DRAWN SP

CHECKED

DATE 02.04. 2
13:13



PROJECT ANAIN
MODEL DDX3216
MIC/LINE CHANNEL 1+2
SHEET 1 OF 10 SHEETS TOTAL



REVISIONS

E

DRAWN

SP

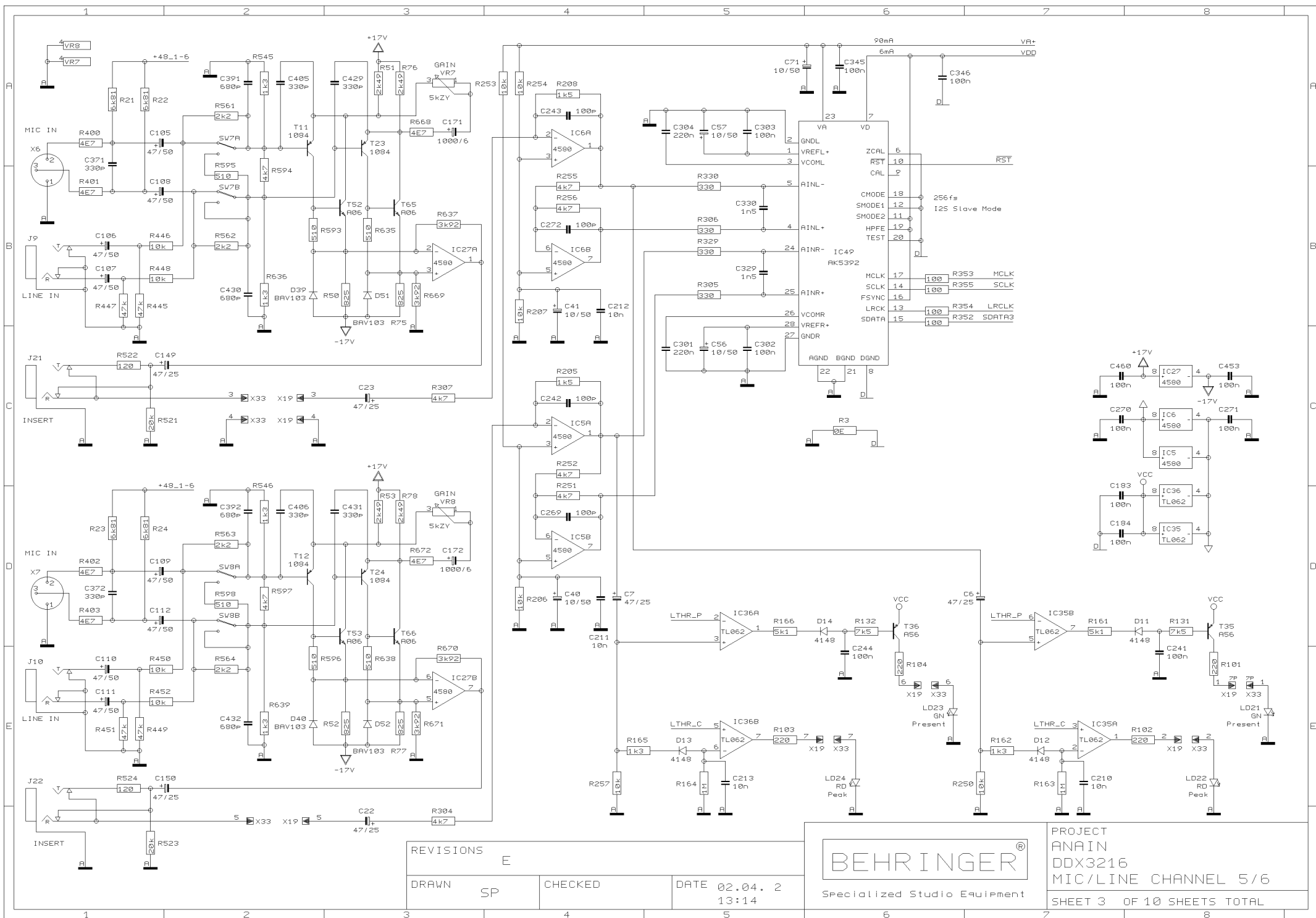
CHECKED

DATE 02.04. 2
13:14



Specialized Studio Equipment

PROJECT
ANAIN
DDX3216
MIC/LINE CHANNEL 3 / 4
SHEET 2 OF 10 SHEETS TOTAL



REVISIONS

DRAWN SP

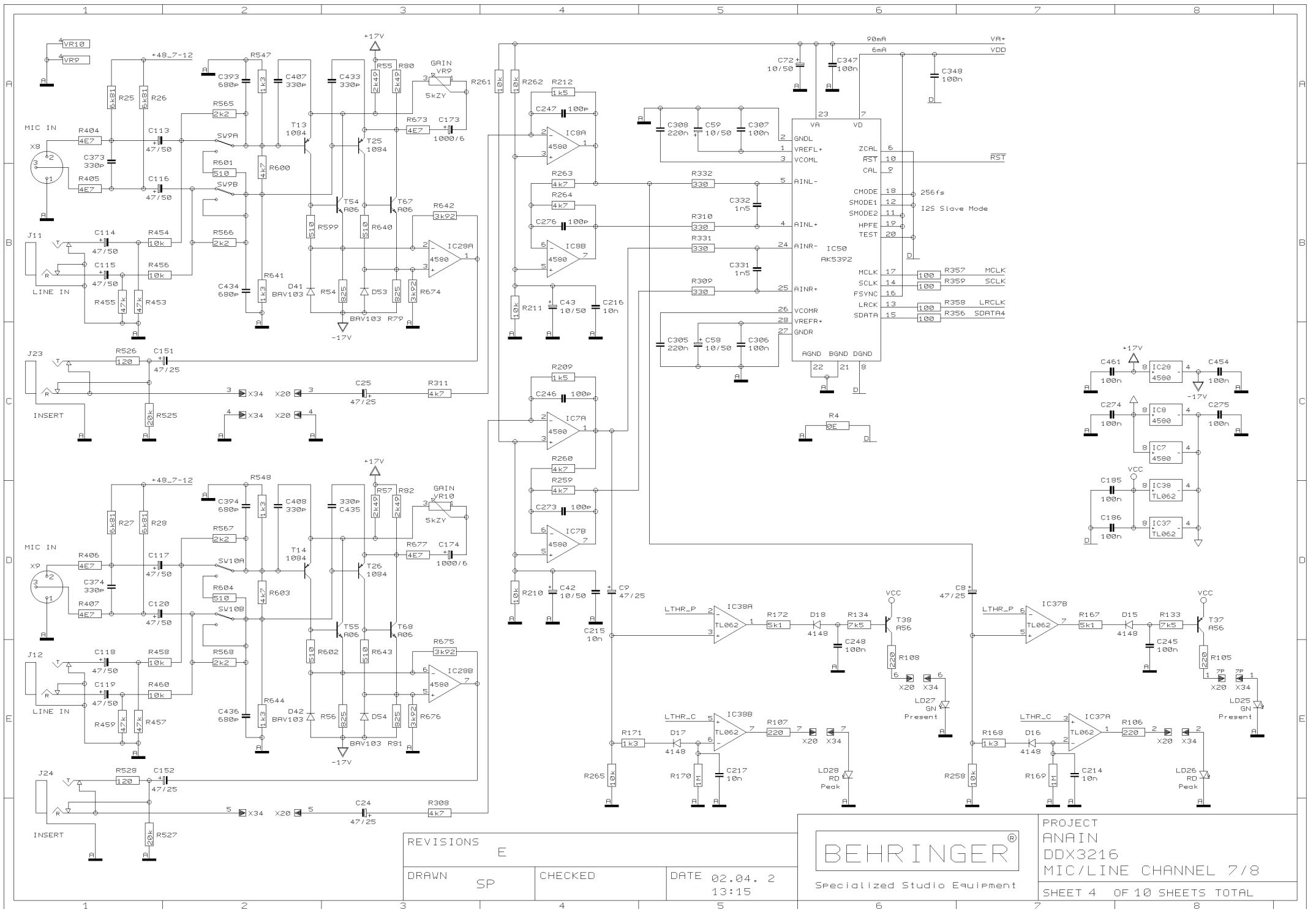
CHECKED

DATE 02.04. 2
13:14



Specialized Studio Equipment

PROJECT
ANAIN
DDX3216
MIC/LINE CHANNEL 5/6
SHEET 3 OF 10 SHEETS TOTAL



REVISIONS

E

DRAWN

SP

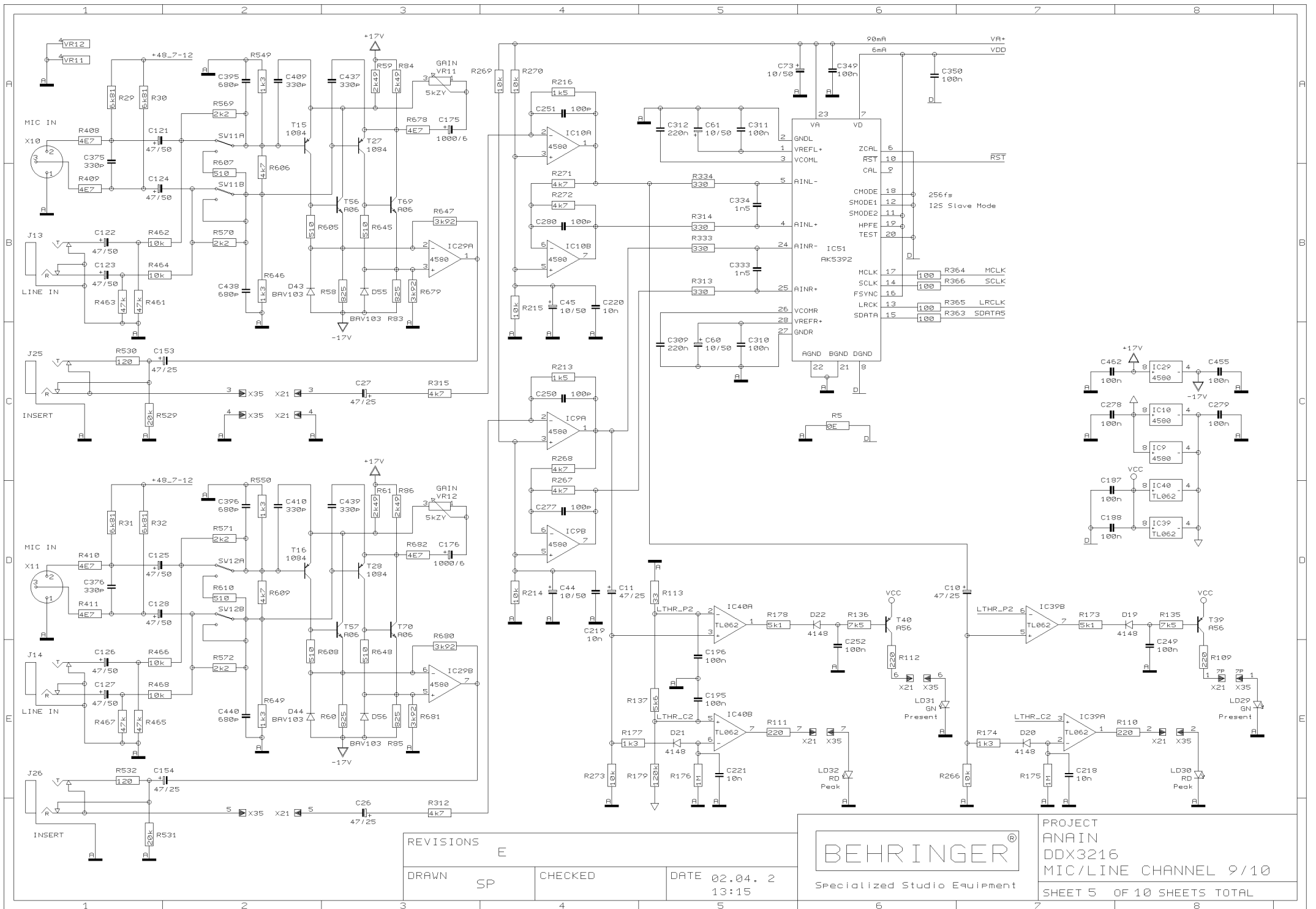
CHECKED

DATE 02.04. 2
13:15

BEHRINGER®

Specialized Studio Equipment

PROJECT
ANAIN
DDX3216
MIC/LINE CHANNEL 7/8
SHEET 4 OF 10 SHEETS TOTAL

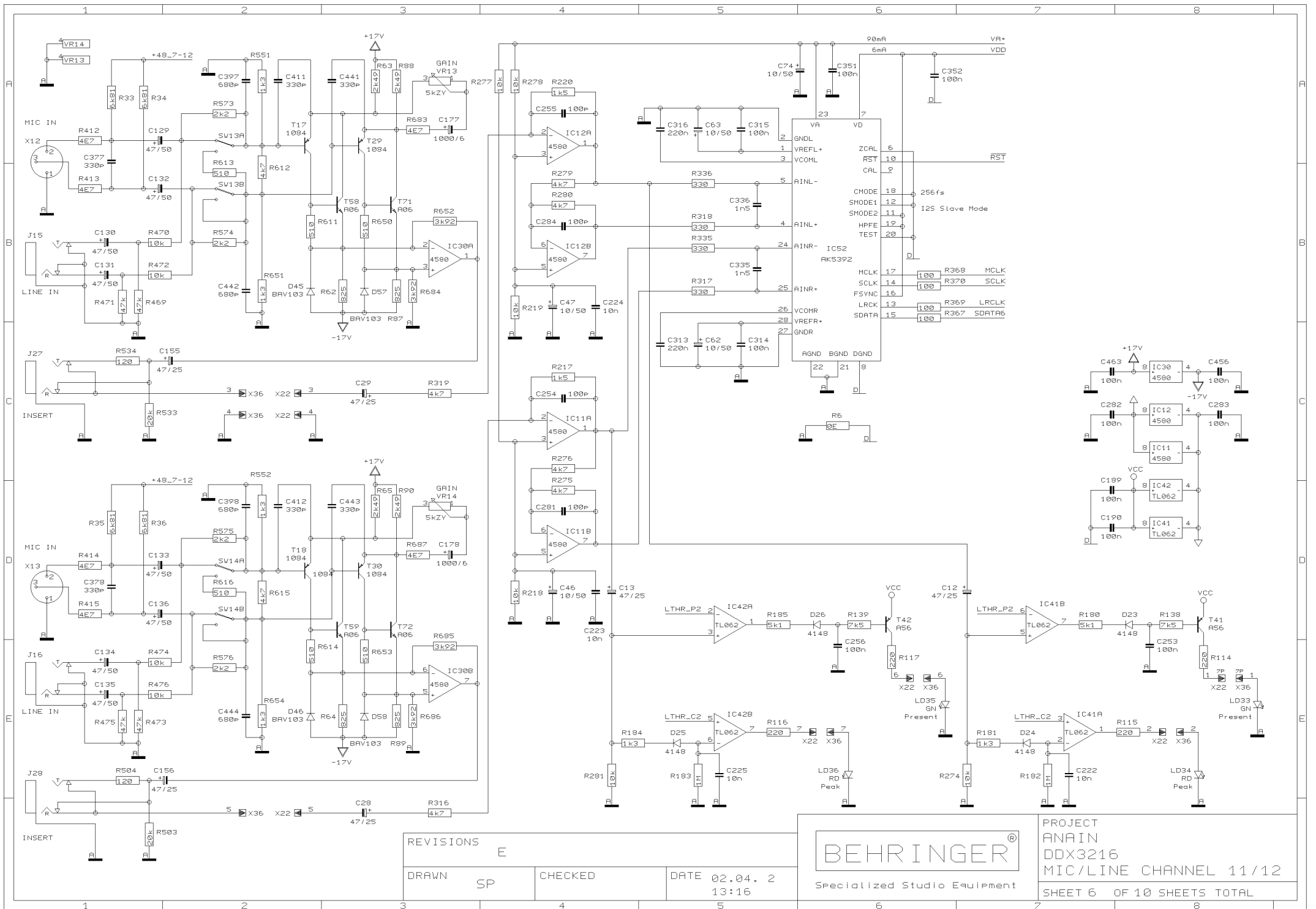


REVISIONS

REVISED BY	E
DRAWN	SP
CHECKED	
DATE	02.04. 2 13:15



PROJECT
ANAIN
DDX3216
MIC/LINE CHANNEL 9/10
SHEET 5 OF 10 SHEETS TOTAL



REVISIONS

E

DRAWN

SP

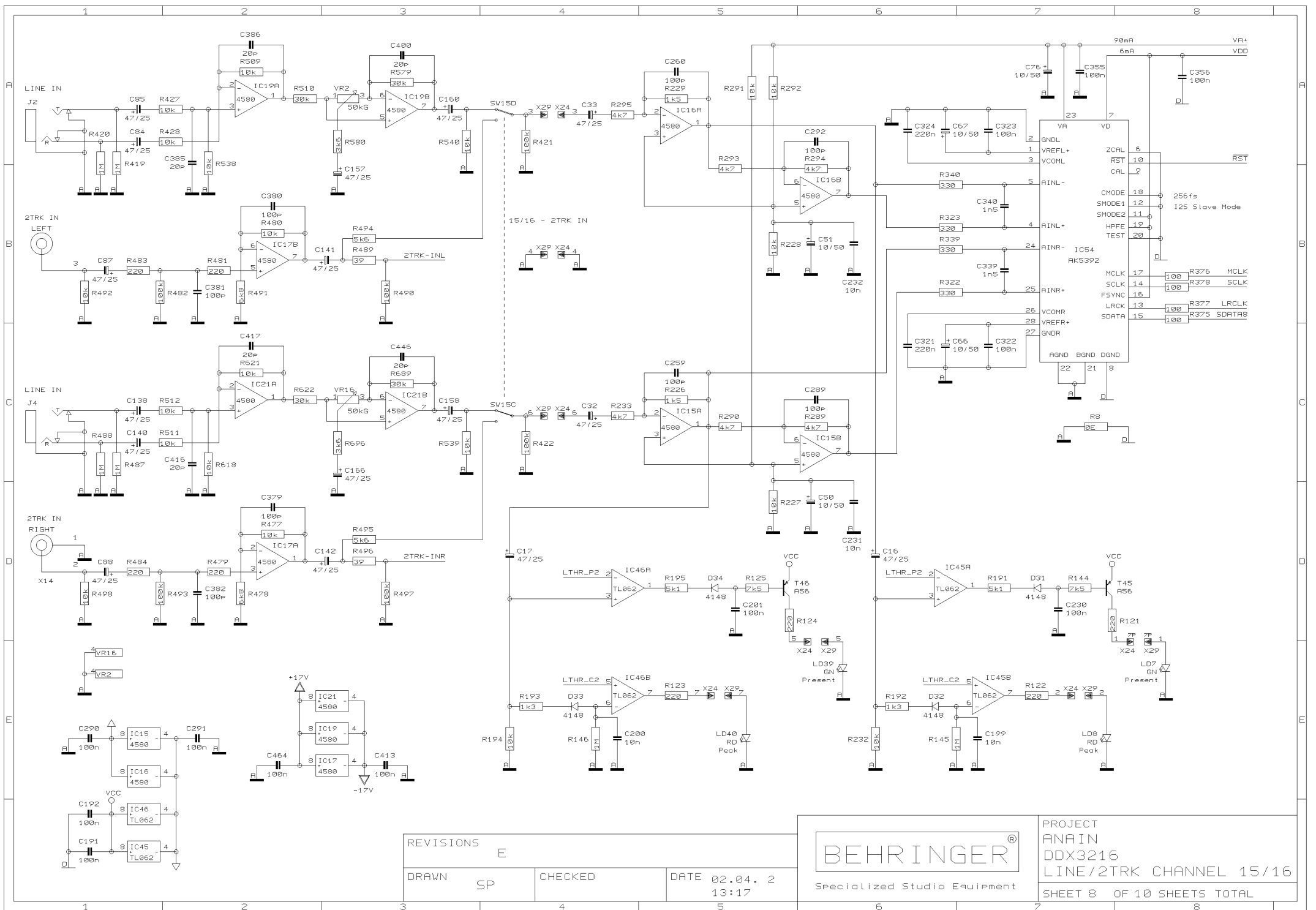
CHECKED

DATE 02.04. 2
13:16

BEHRINGER®

Specialized Studio Equipment

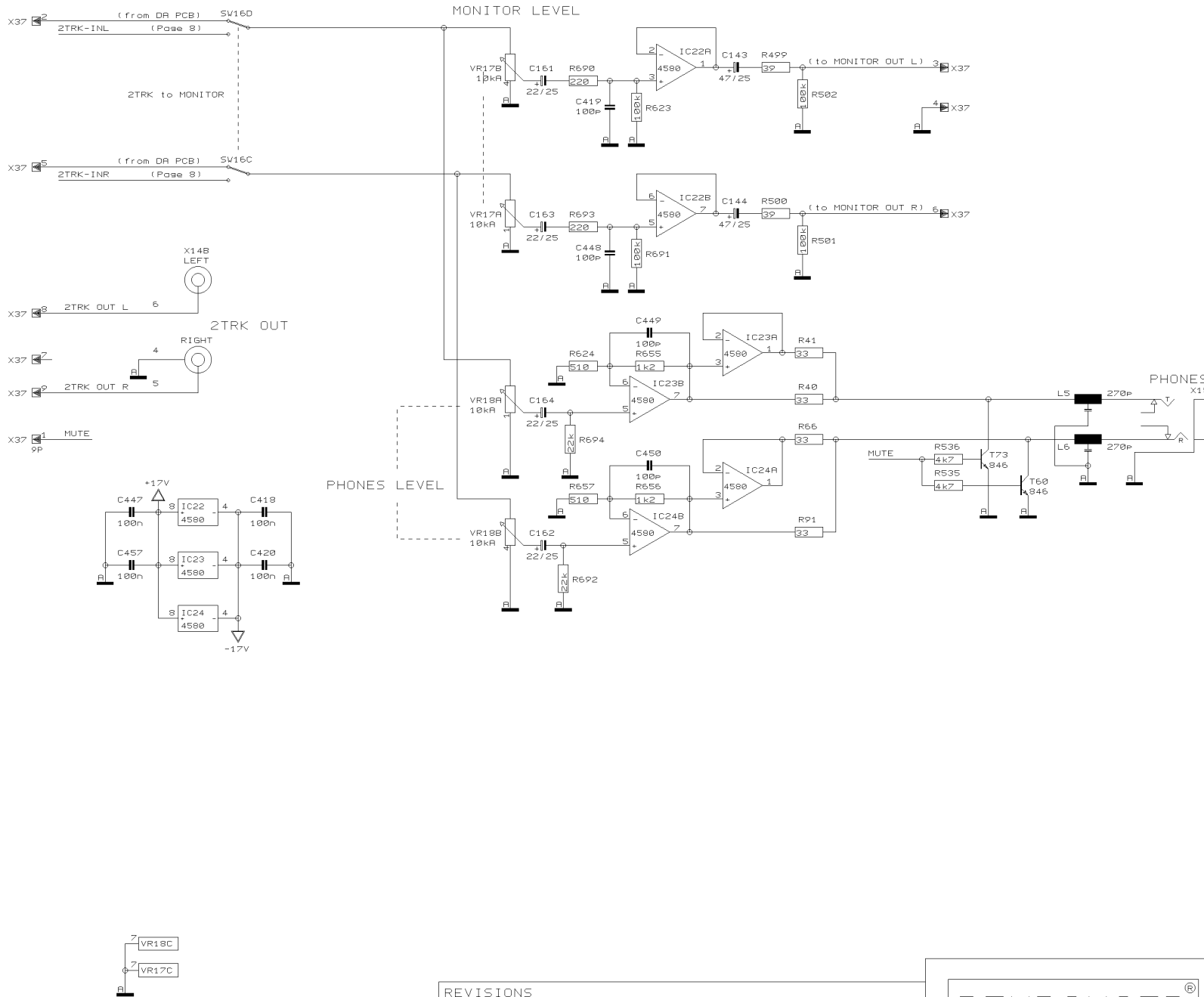
PROJECT
ANAIN
DDX3216
MIC/LINE CHANNEL 11/12
SHEET 6 OF 10 SHEETS TOTAL



REVISIONS	E	DATE	02.04. 2
DRAWN	SP	CHECKED	
			13:17



PROJECT
ANAIN
DDX3216
LINE/2TRK CHANNEL 15/16
SHEET 8 OF 10 SHEETS TOTAL

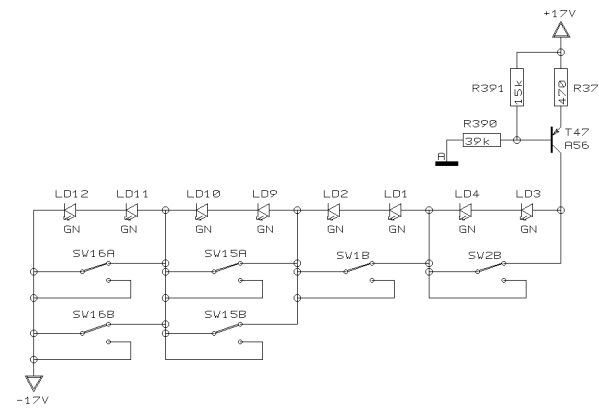
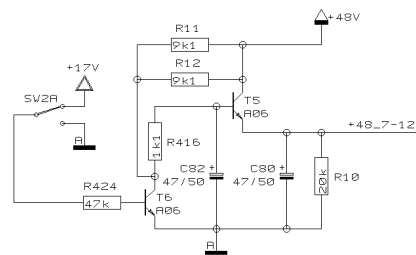
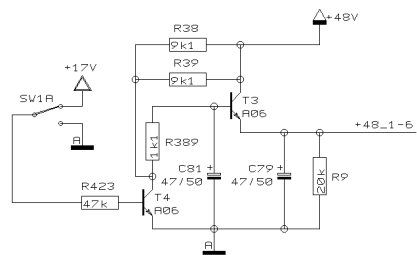
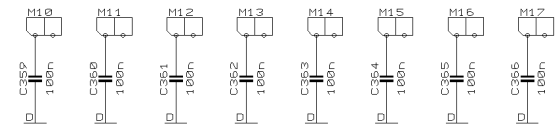
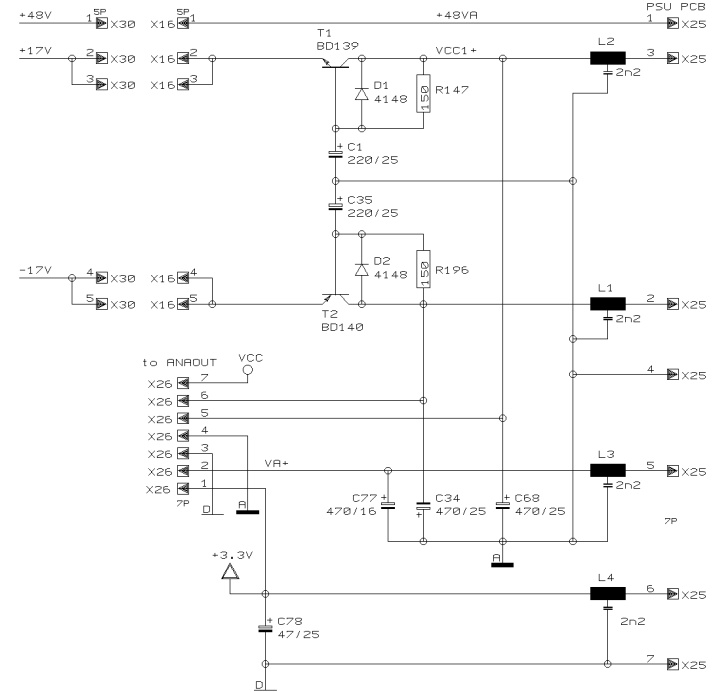
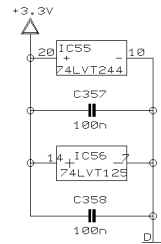
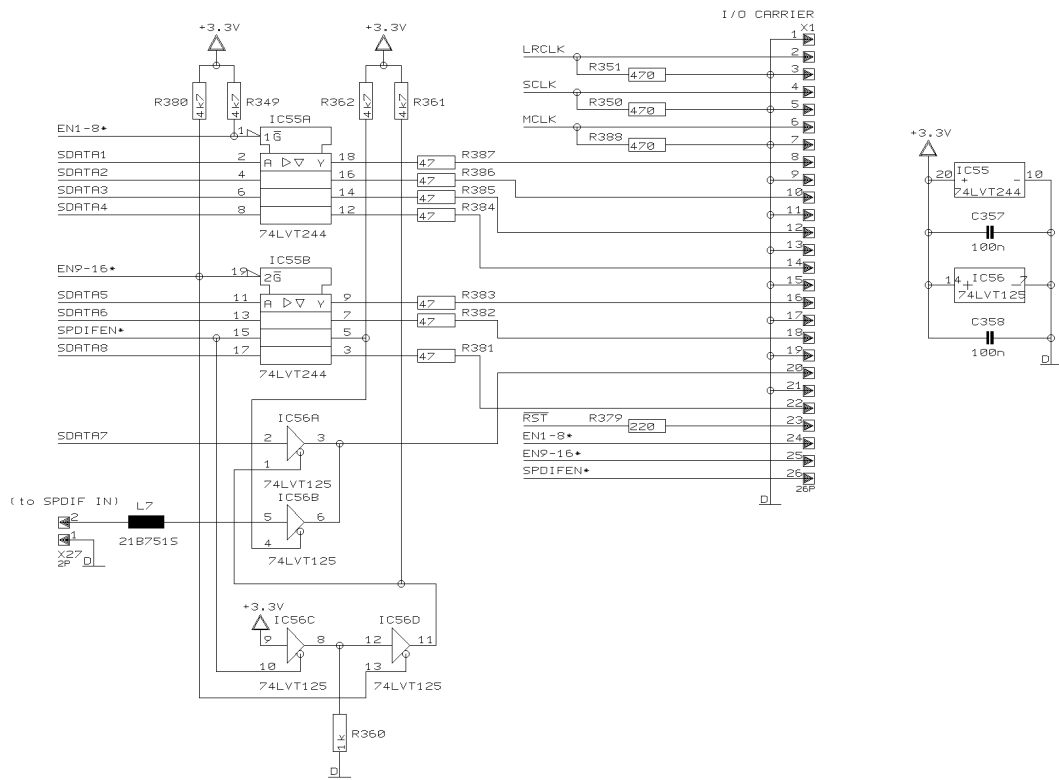


REVISIONS

E	
DRAWN	SP
CHECKED	
DATE	02.04. 2 13:17



PROJECT
ANAIN
DDX3216
MONITOR / PHONES
SHEET 9 OF 10 SHEETS TOTAL



REVISIONS	E		
DRAWN	SP	CHECKED	DATE 02.04. 2 13:18



PROJECT
ANAIN
DDX3216
I2S INTERFACE
SHEET 10 OF 10 SHEETS TOTAL