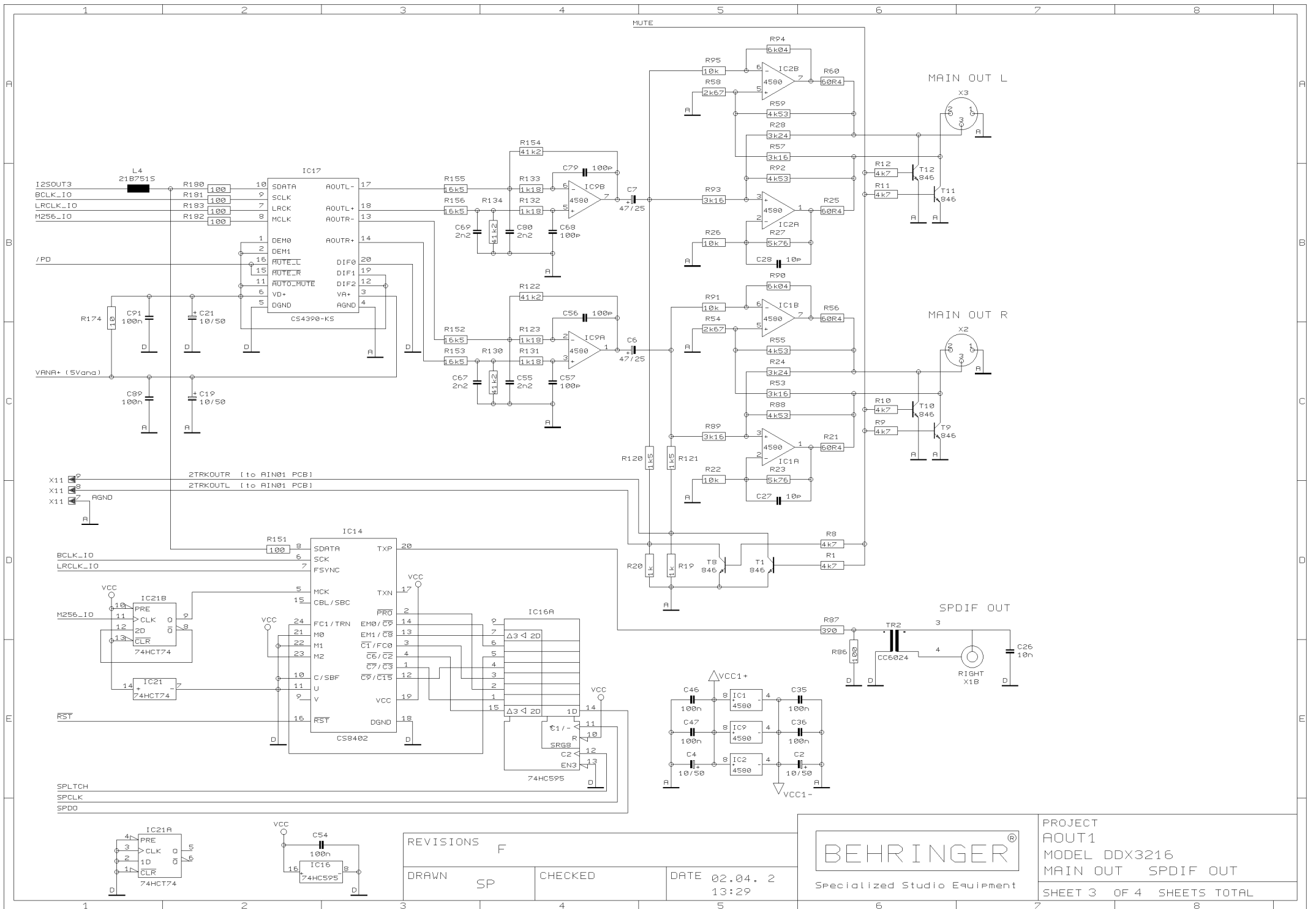


REVISIONS		F	
DRAWN	SP	CHECKED	DATE 02.04. 2 13:29

BEHRINGER[®]
Specialized Studio Equipment

PROJECT	AOUT1
MODEL	DDX3216
	AUX3 / 4 OUT
SHEET 2	OF 4 SHEETS TOTAL



REVISIONS F

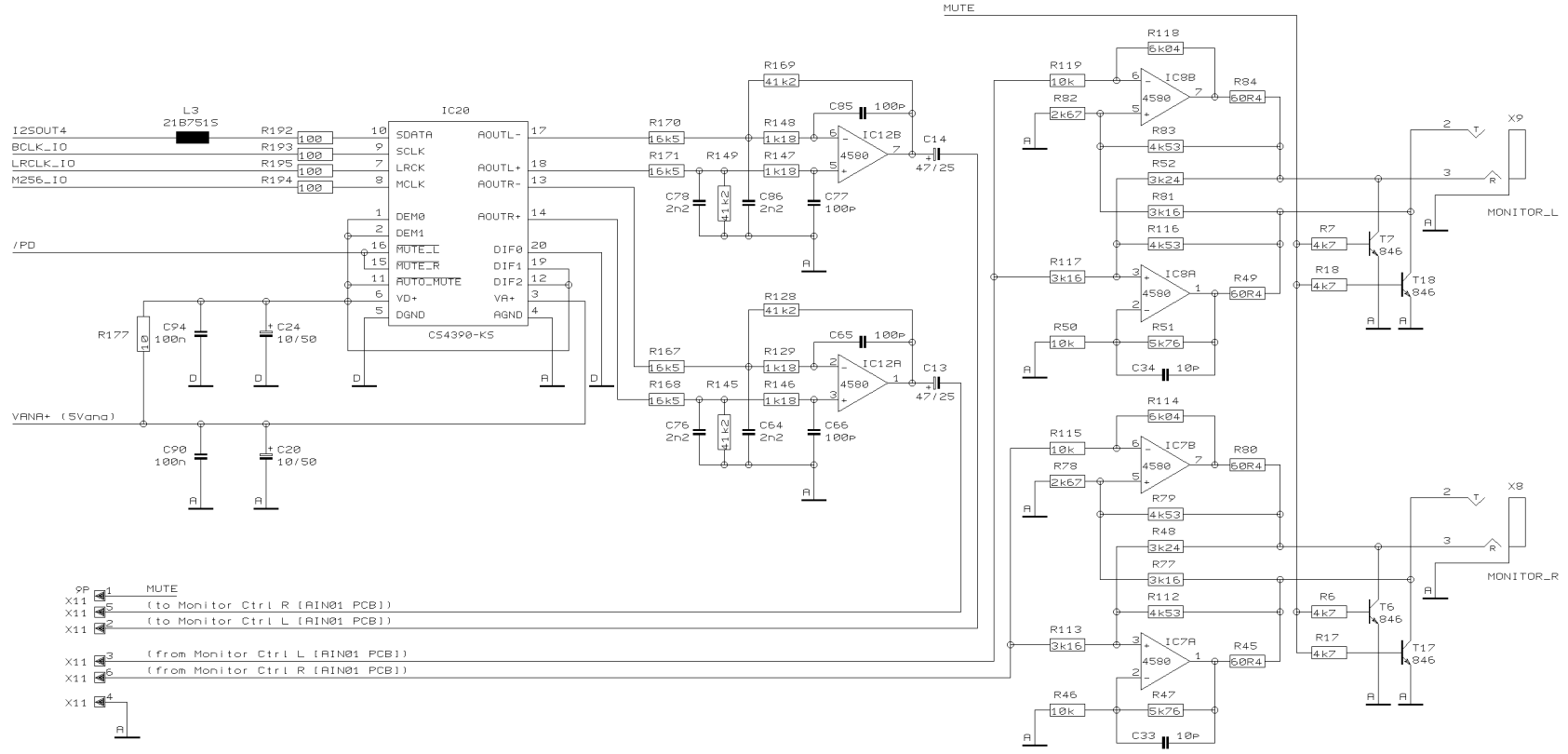
DRAWN SP

CHECKED

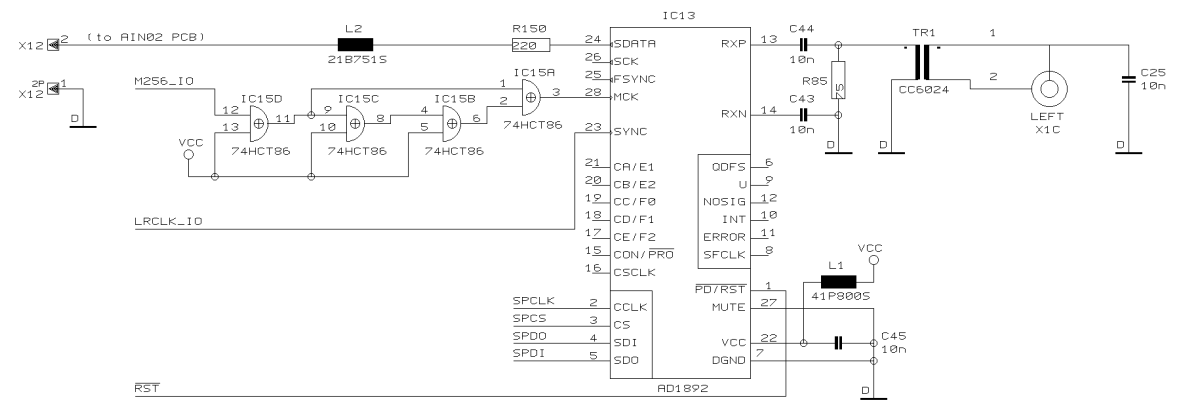
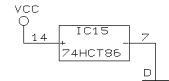
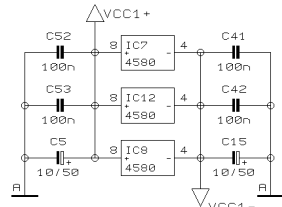
DATE 02.04. 2
13:29



PROJECT
AOUT1
MODEL DDX3216
MAIN OUT SPDIF OUT
SHEET 3 OF 4 SHEETS TOTAL



- 9P 1 MUTE
- X11 5 (to Monitor Ctrl R (AIN01 PCB))
- X11 5 (to Monitor Ctrl L (AIN01 PCB))
- X11 3 (from Monitor Ctrl L (AIN01 PCB))
- X11 3 (from Monitor Ctrl R (AIN01 PCB))
- X11 4



REVISIONS	F
DRAWN	SP
CHECKED	
DATE	02.04. 2 13:30



PROJECT
AOUT1
MODEL DDX3216
MONITOR / PHONES
SHEET 4 OF 4 SHEETS TOTAL