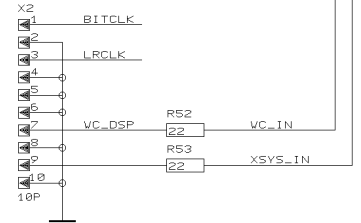
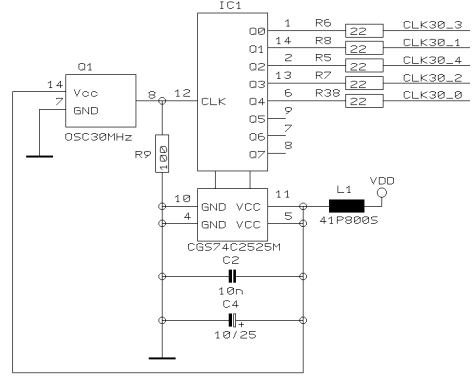
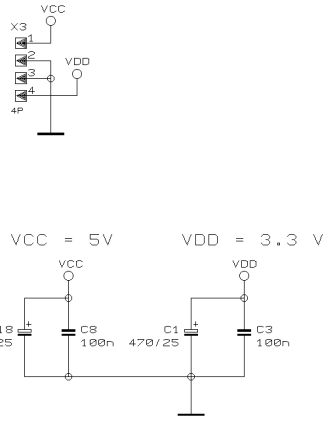
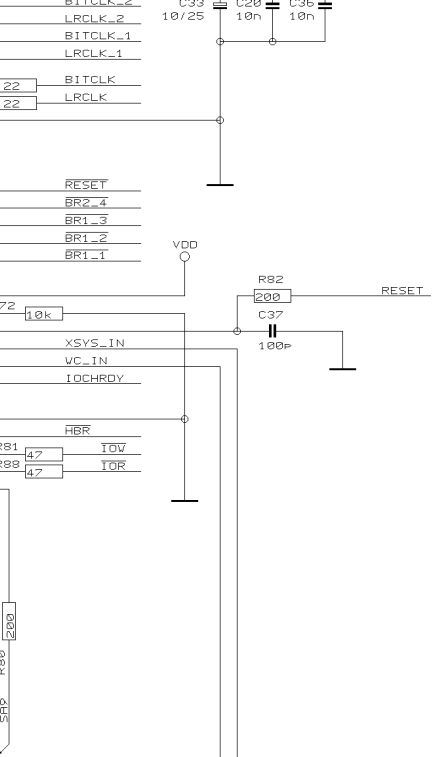
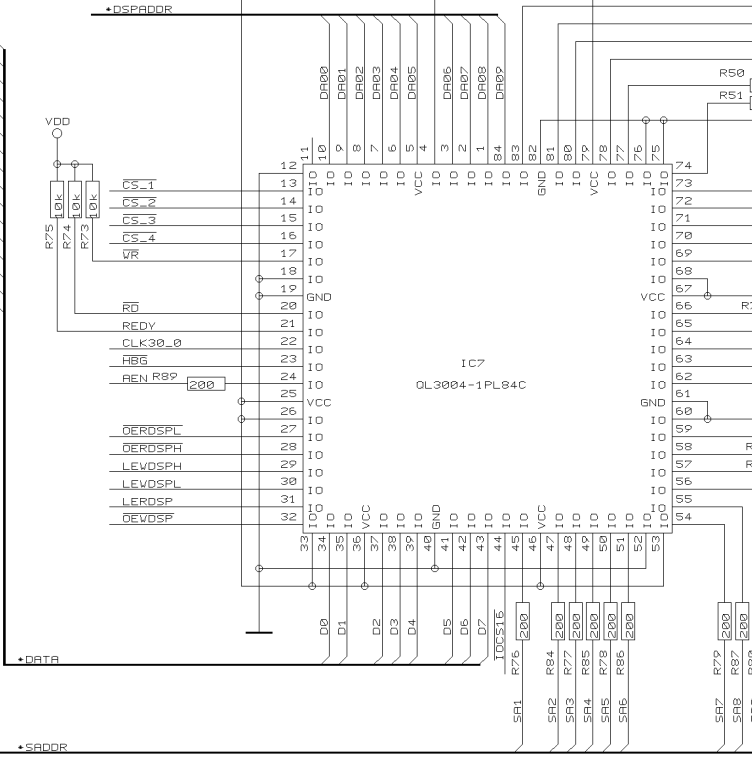
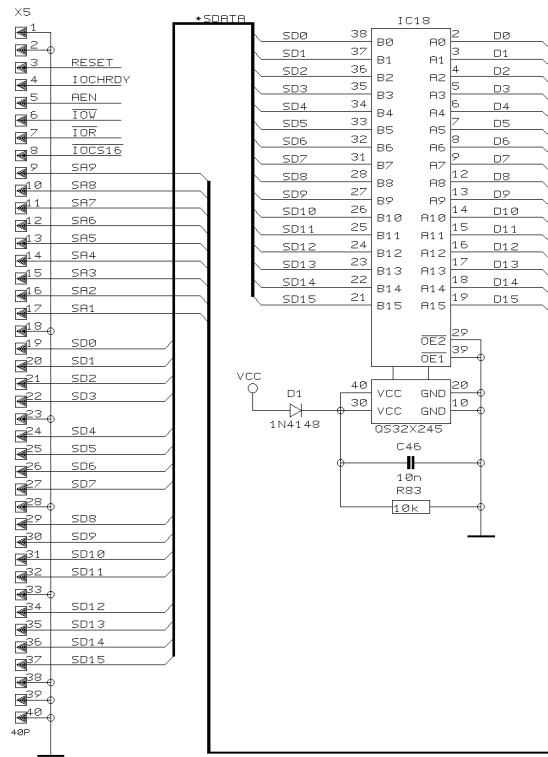


DSP CONN

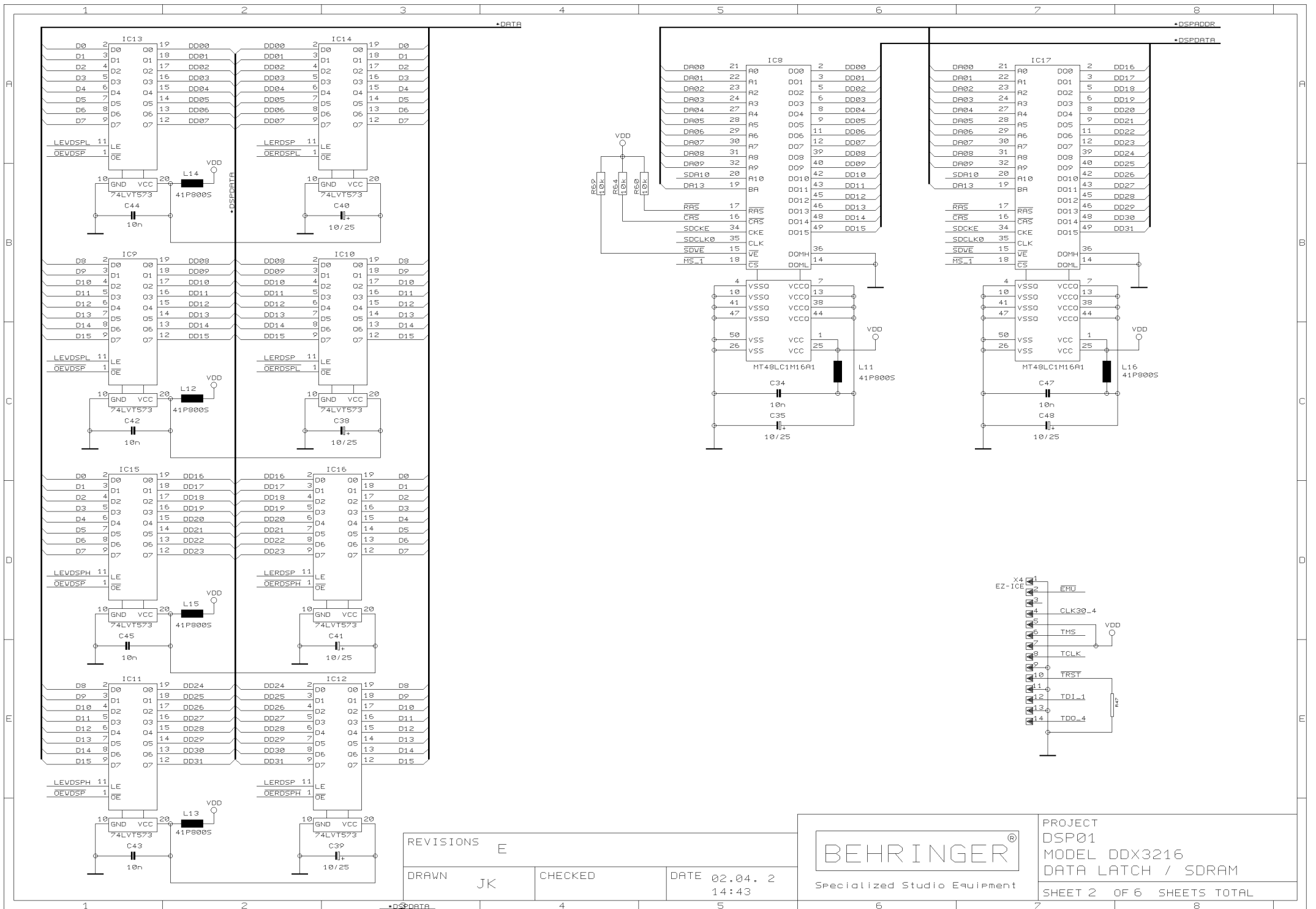


REVISIONS E (26.01.2001)

DRAWN JK CHECKED DATE 02.04.2 14:42



PROJECT DSP01
 MODEL DDX3216
 GLUE LOGIC
 SHEET 1 OF 6 SHEETS TOTAL



REVISIONS E

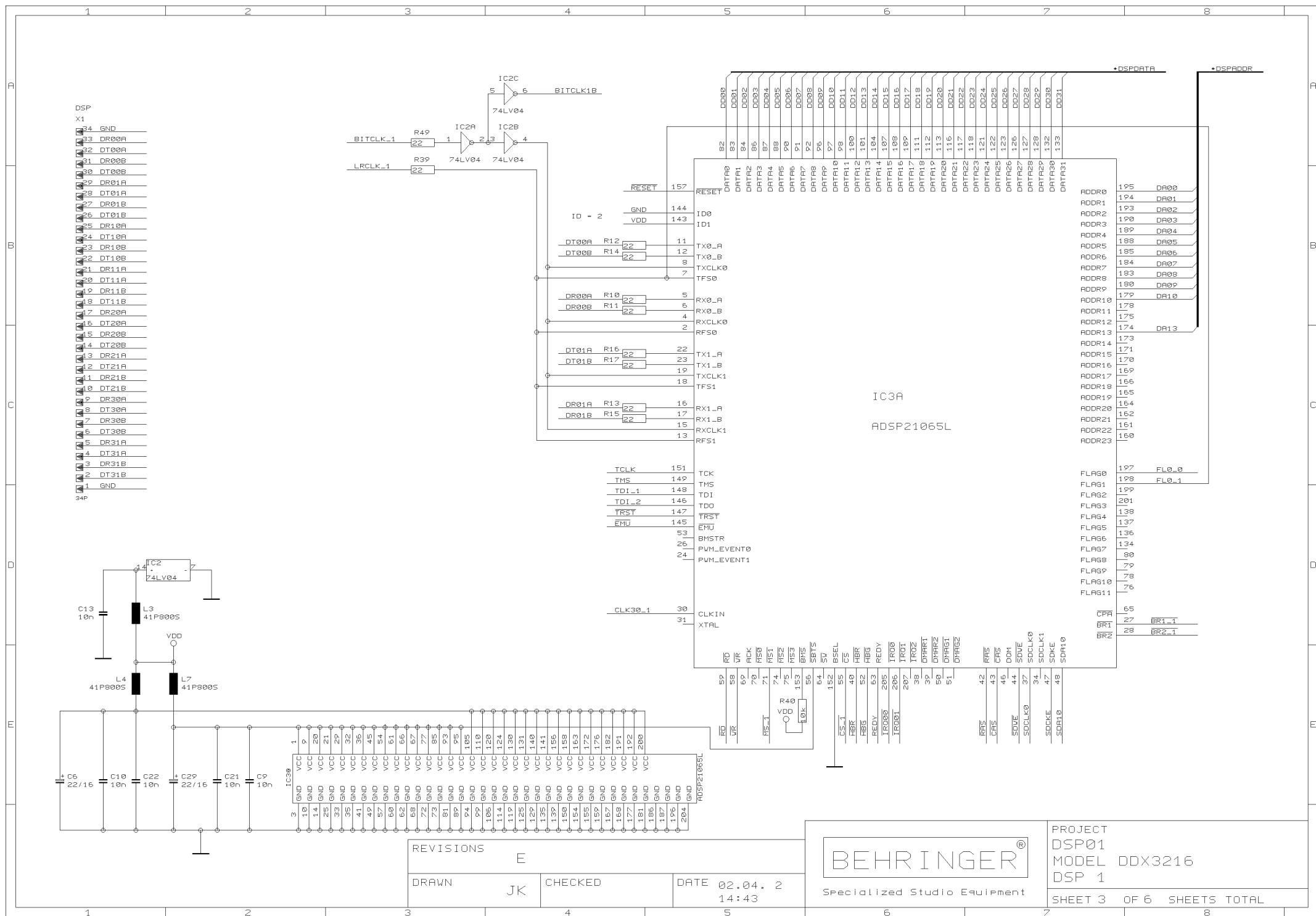
DRAWN JK

CHECKED

DATE 02.04. 2
14:43



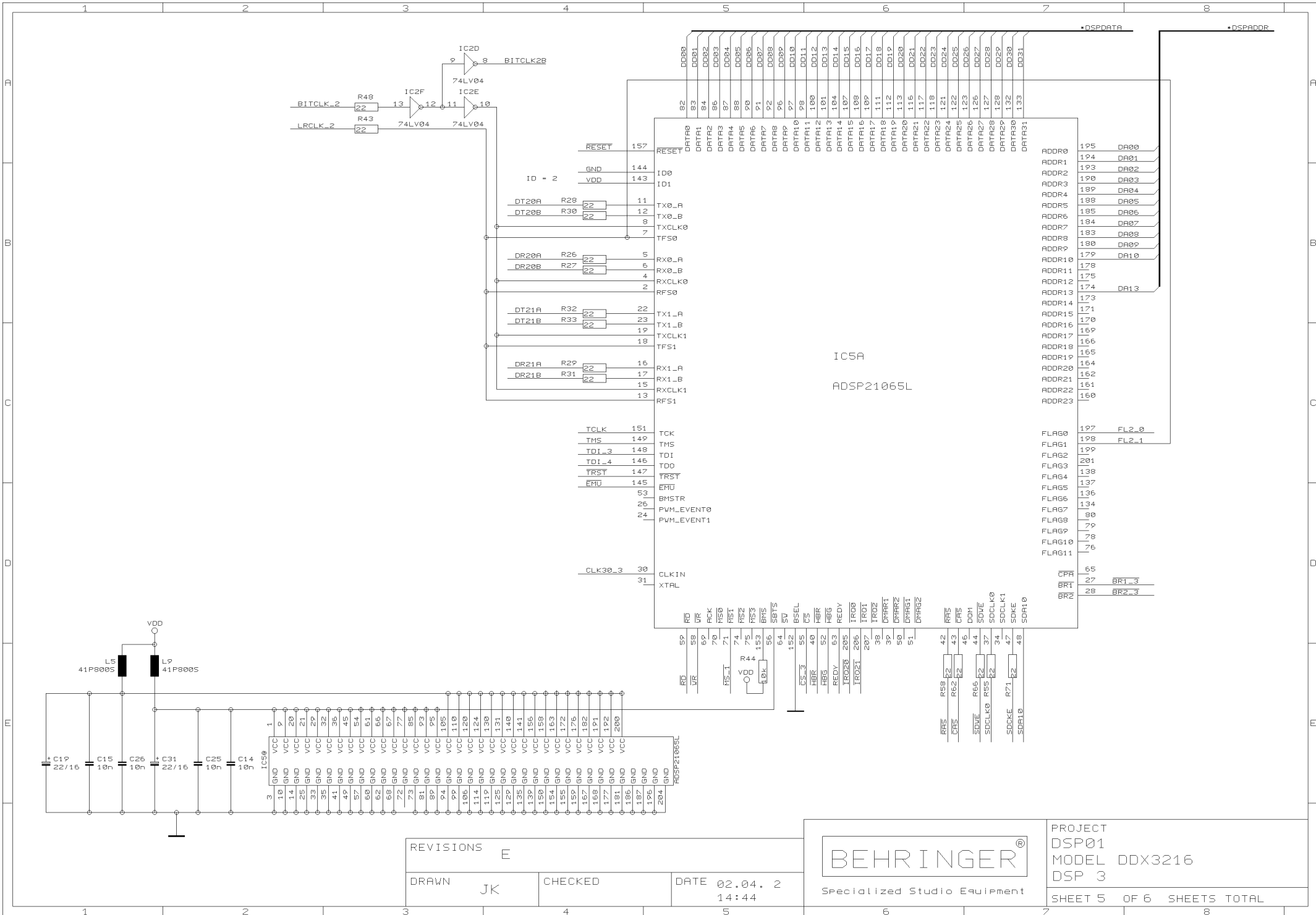
PROJECT
DSP01
MODEL DDX3216
DATA LATCH / SDRAM
SHEET 2 OF 6 SHEETS TOTAL



REVISIONS	E	
DRAWN	JK	CHECKED
DATE	02.04. 2	14:43



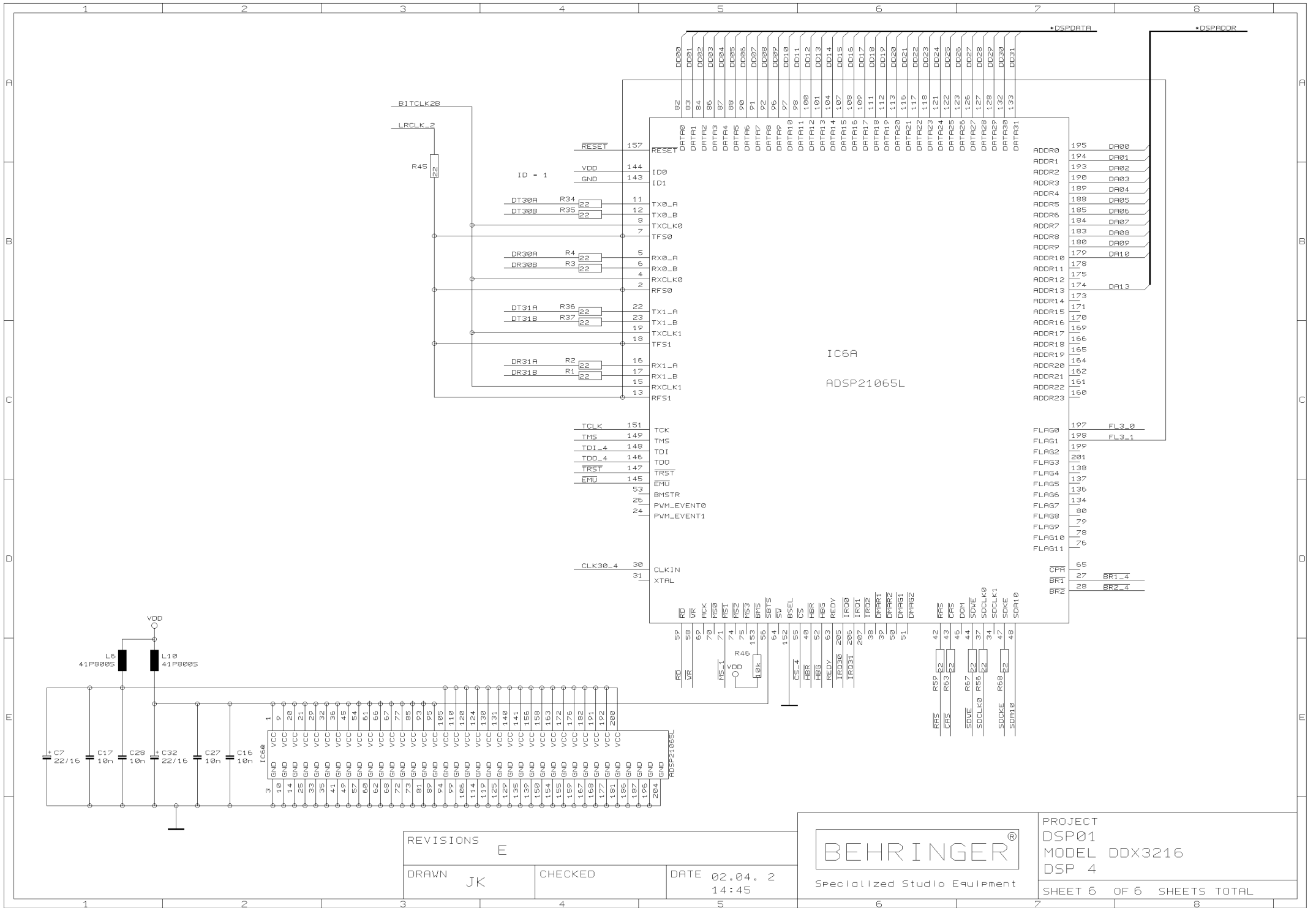
PROJECT	DSP01	
MODEL	DDX3216	
DSP	1	
SHEET	3	OF 6 SHEETS TOTAL



REVISIONS	E
DRAWN	JK
CHECKED	
DATE	02.04. 2 14:44



PROJECT	DSP01
MODEL	DDX3216
DSP	3
SHEET	5 OF 6 SHEETS TOTAL



REVISIONS	E
DRAWN	JK
CHECKED	
DATE	02.04. 2 14:45



PROJECT	DSP01
MODEL	DDX3216
DSP	4
SHEET 6	OF 6 SHEETS TOTAL