

REVISIONS D (10/09/02)

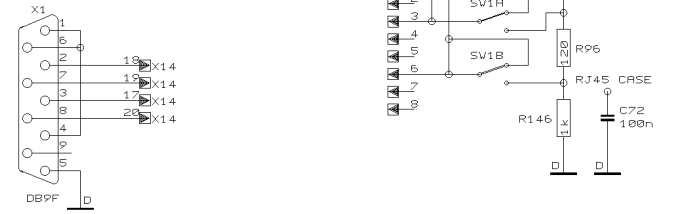
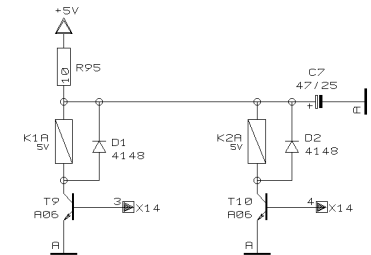
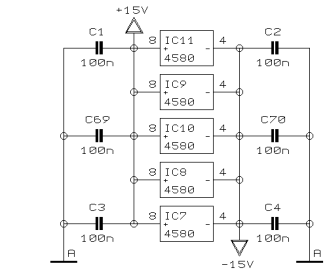
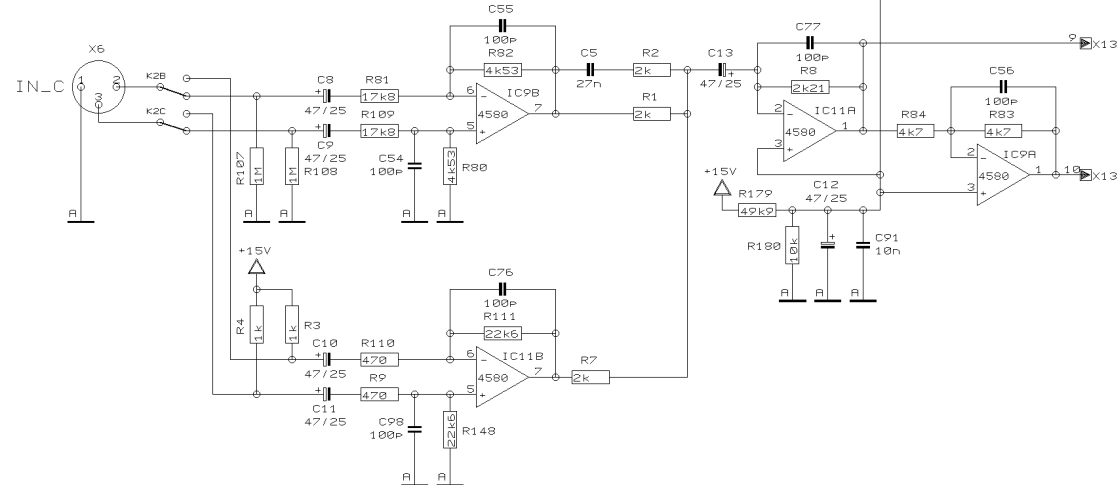
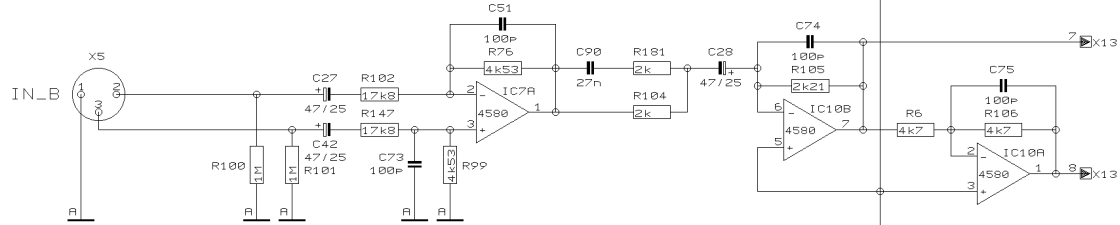
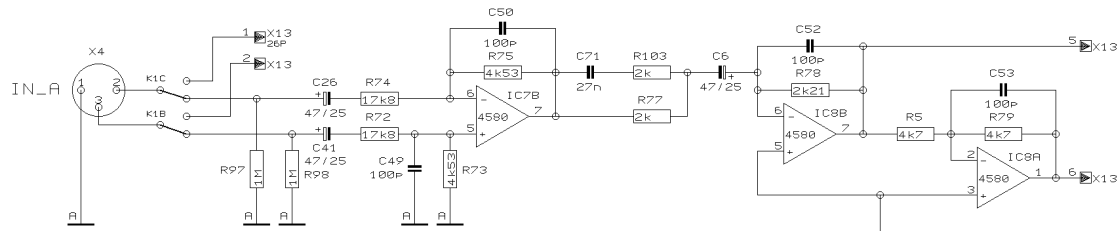
DRAWN TZ

CHECKED

DATE 04.03. 3
14:40



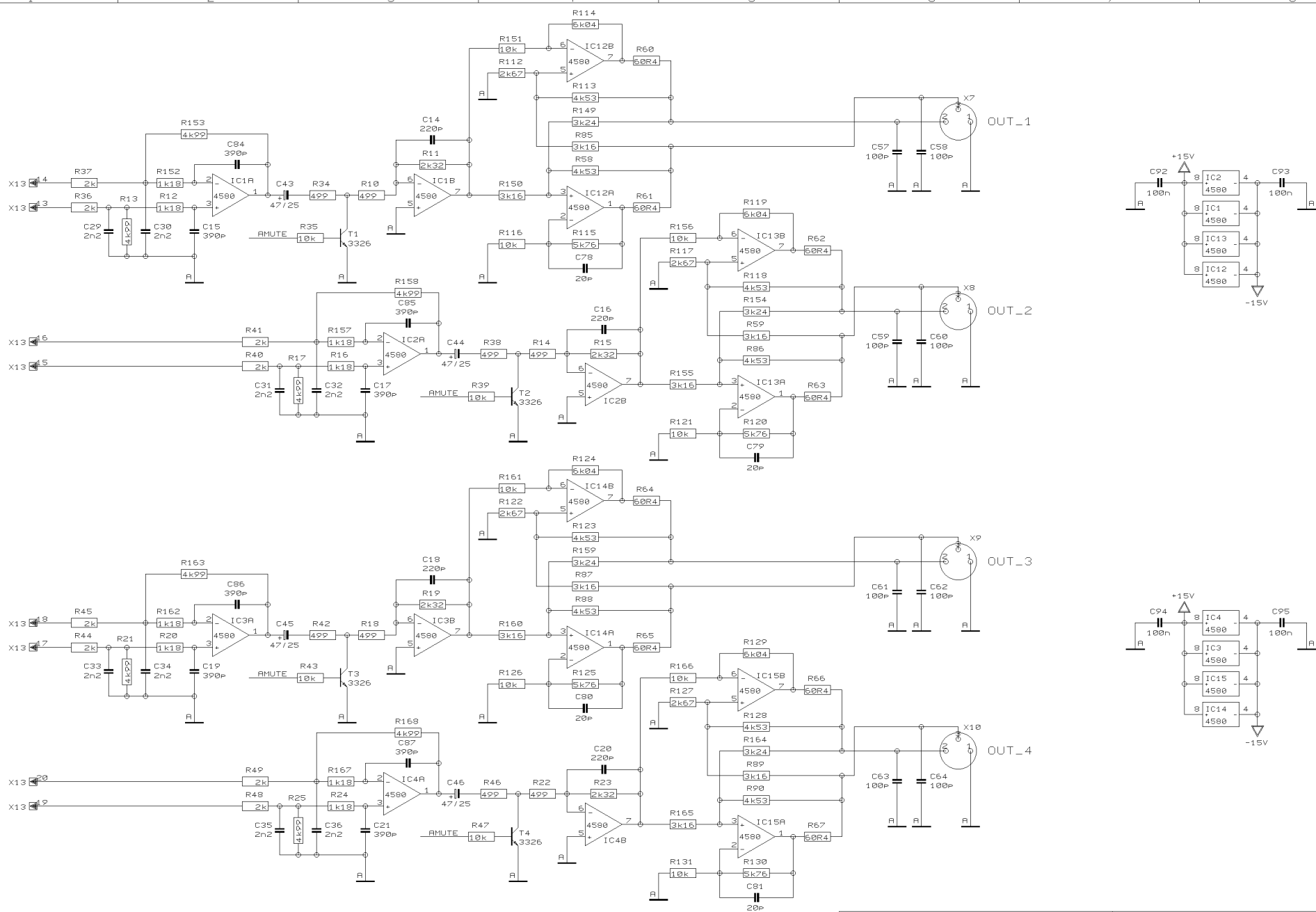
PROJECT
DCX2496F
ULTRADRIVE PRO
CONTROL INTERFACE
SHEET 1 OF 1 SHEETS TOTAL



REVISIONS	E (10/09/02)		
DRAWN	TZ	CHECKED	DATE 04.03. 3 14:47

BEHRINGER[®]
Specialized Studio Equipment

PROJECT
DCX2496B
ULTRADRIVE
ANALOG IO SECTION
SHEET 1 OF 3 SHEETS TOTAL



REVISIONS E

DRAWN TZ

CHECKED

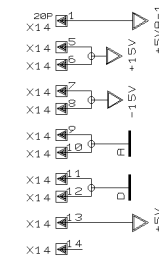
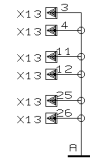
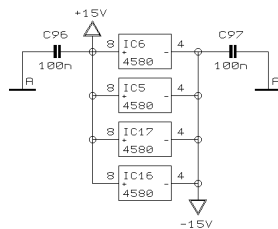
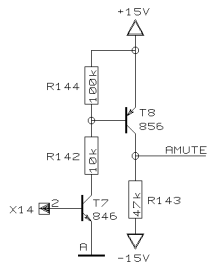
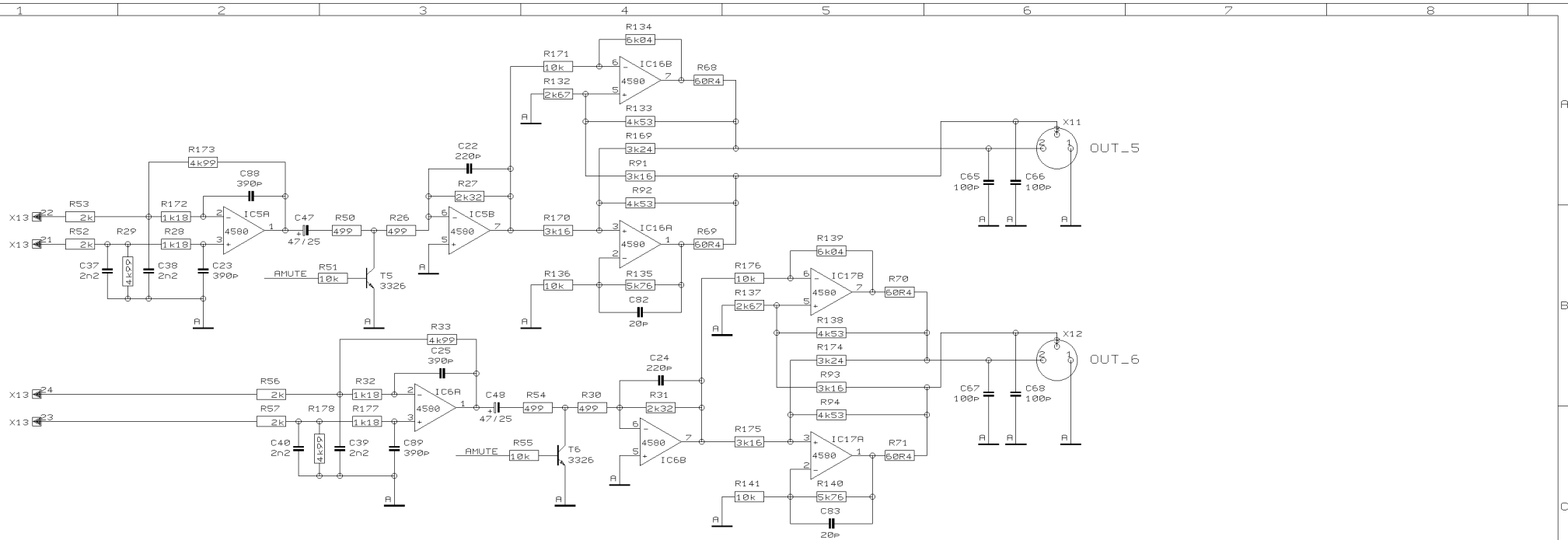
DATE 04.03. 3
14:47

BEHRINGER®

Specialized Studio Equipment

PROJECT
DCX2496B
ULTRADRIVE
ANALOG IO SECTION

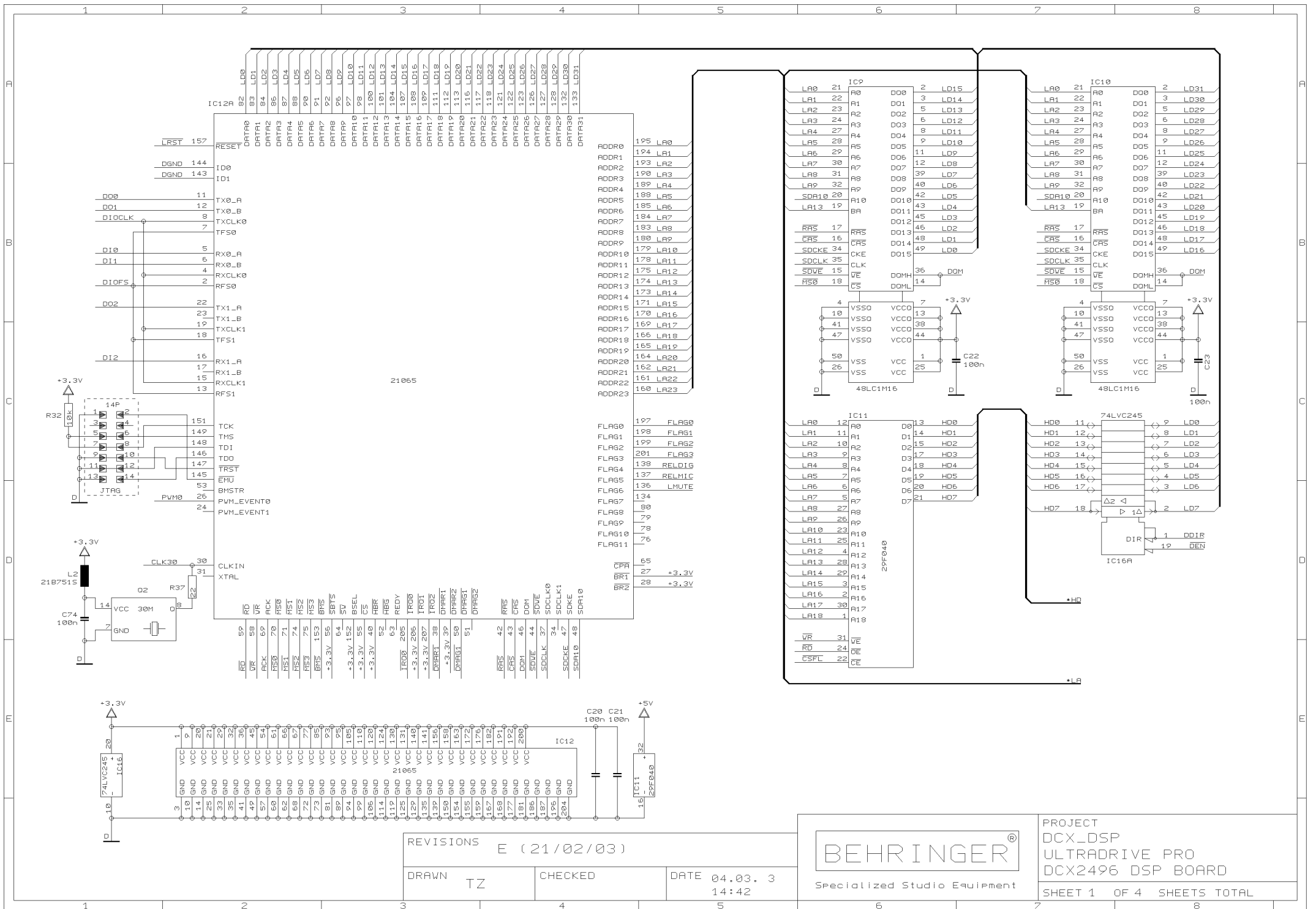
SHEET 2 OF 3 SHEETS TOTAL



REVISIONS		E	
DRAWN	TZ	CHECKED	DATE 04.03. 3 14:47



PROJECT
DCX2496B
ULTRADRIVE
ANALOG IO SECTION
SHEET 3 OF 3 SHEETS TOTAL



REVISIONS E (21/02/03)

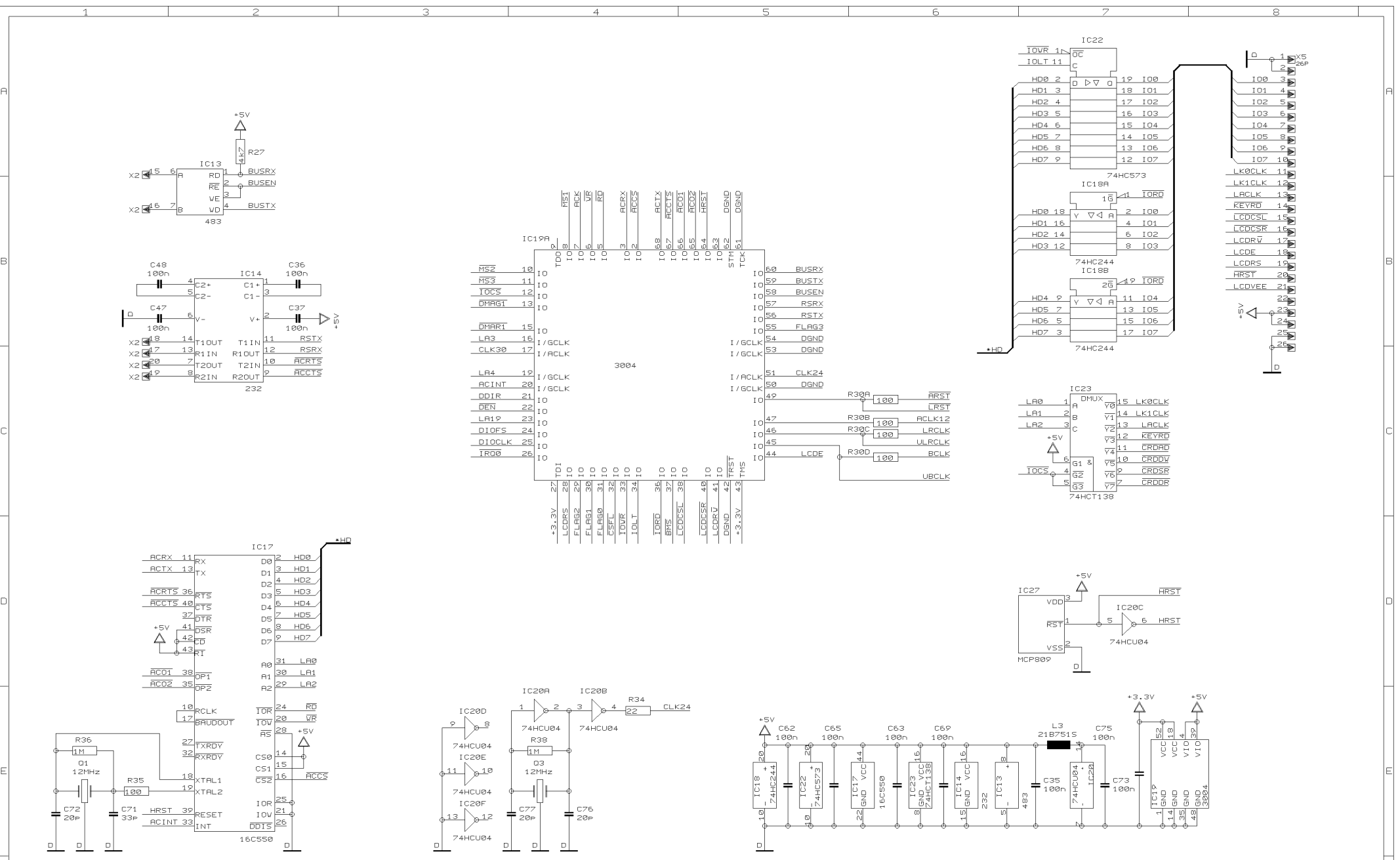
DRAWN TZ

CHECKED

DATE 04.03. 3
14:42



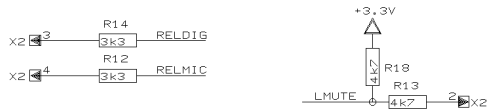
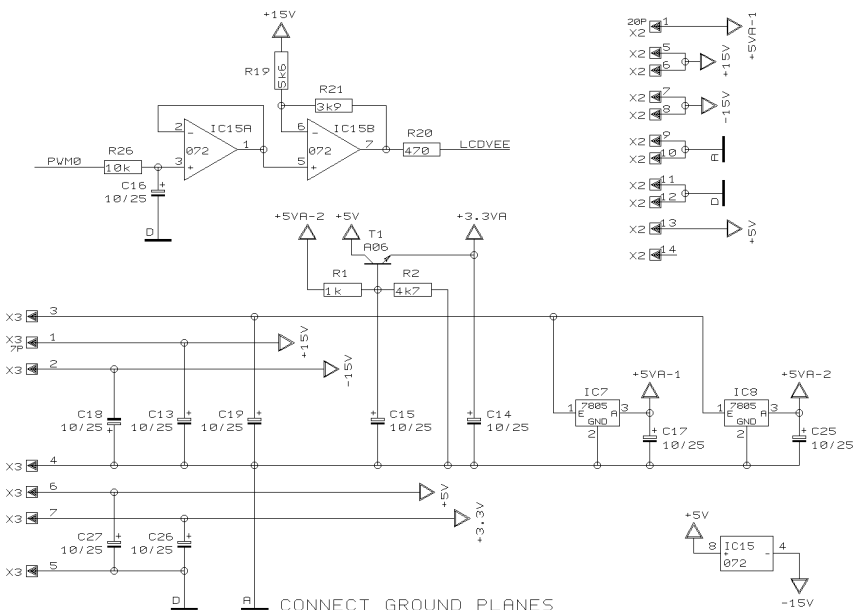
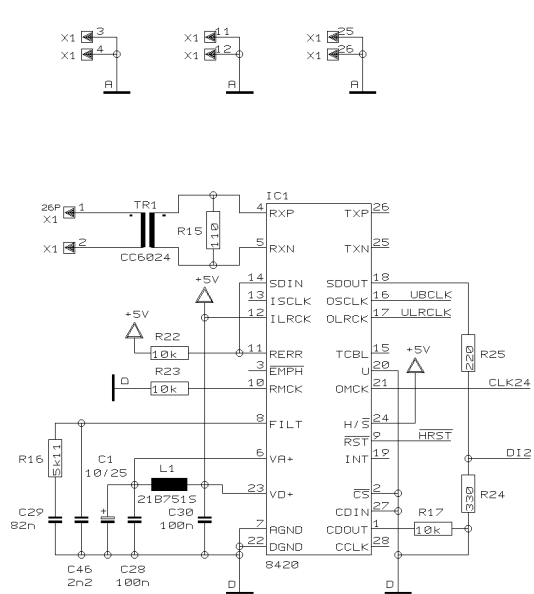
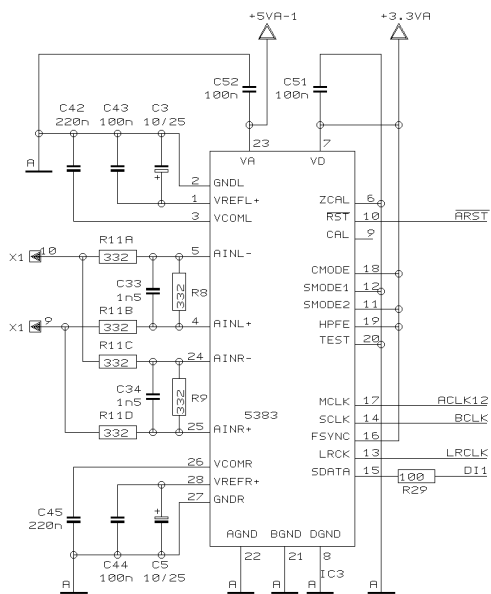
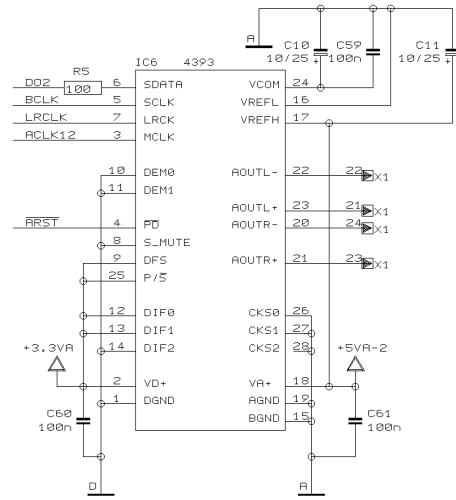
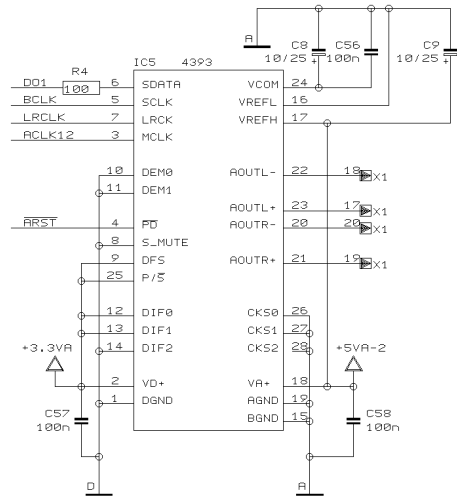
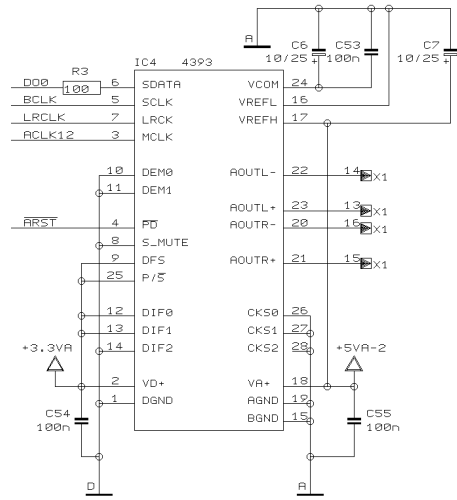
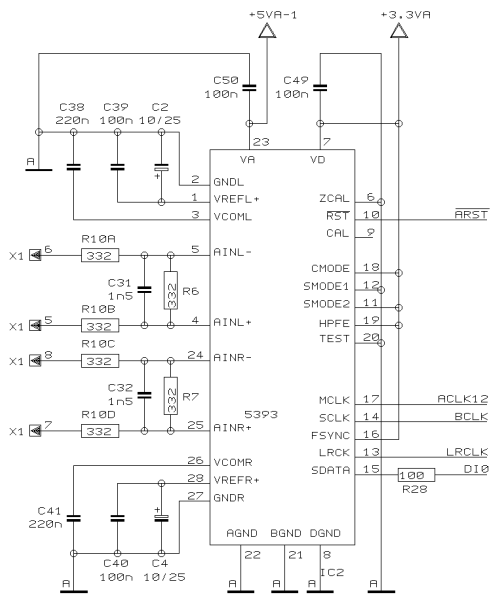
PROJECT
DCX_DSP
ULTRADRIVE PRO
DCX2496 DSP BOARD
SHEET 1 OF 4 SHEETS TOTAL



REVISIONS	E		
DRAWN	TZ	CHECKED	DATE 04.03. 3 14:42



PROJECT
DCX_DSP
ULTRADRIVE PRO
DCX2496 DSP BOARD
SHEET 2 OF 4 SHEETS TOTAL

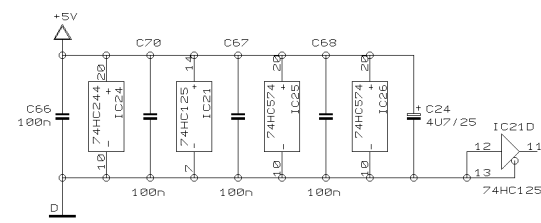
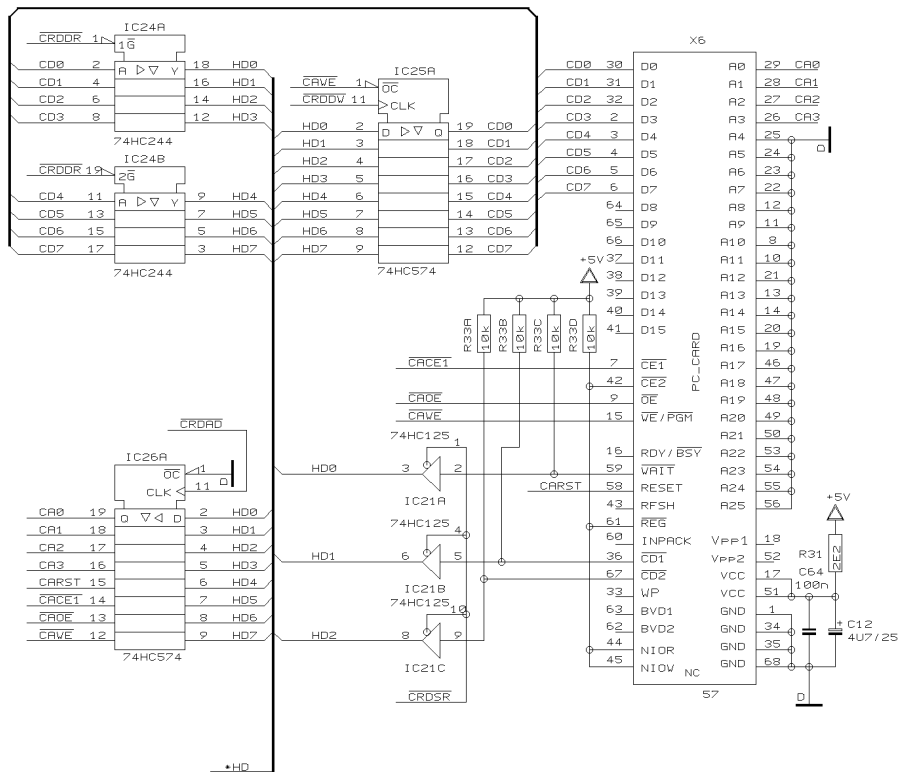


REVISIONS	E		
DRAWN	TZ	CHECKED	DATE 04.03. 3 14:42



PROJECT
DCX_DSP
ULTRADRIVE PRO
DCX2496 DSP BOARD
SHEET 3 OF 4 SHEETS TOTAL

CONNECT GROUND PLANES
NEAR POWER CONNECTOR



REVISIONS		E	
DRAWN	TZ	CHECKED	DATE 04.03. 3 14:42



PROJECT
DCX_DSP
ULTRADRIVE PRO
DCX2496 DSP BOARD
SHEET 4 OF 4 SHEETS TOTAL