

REVISIONS C (050502)

DRAWN BHK

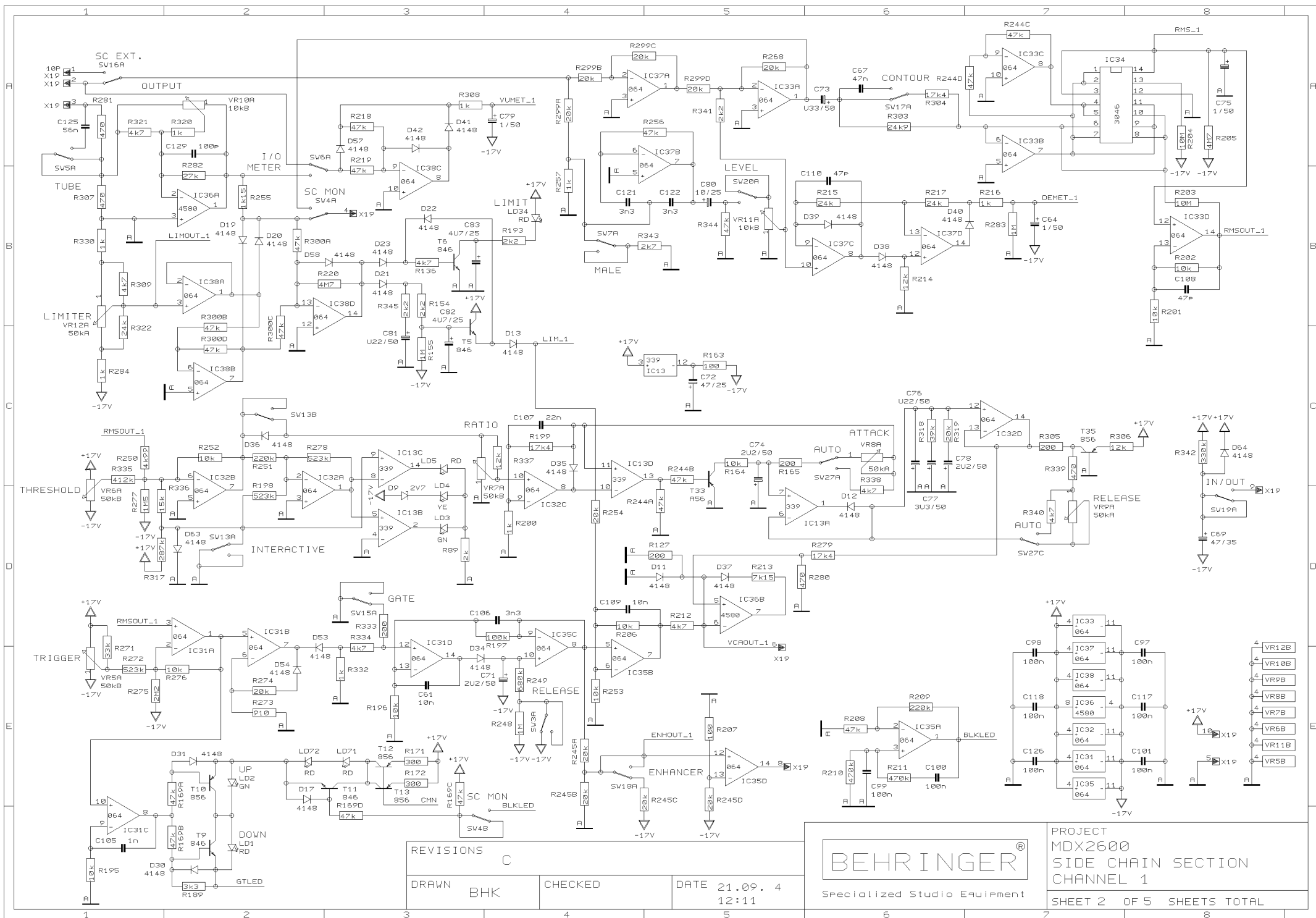
CHECKED

DATE 21.09. 4
12:11



PROJECT MDX2600
INPUT/OUTPUT SECTION
CHANNEL 1&2

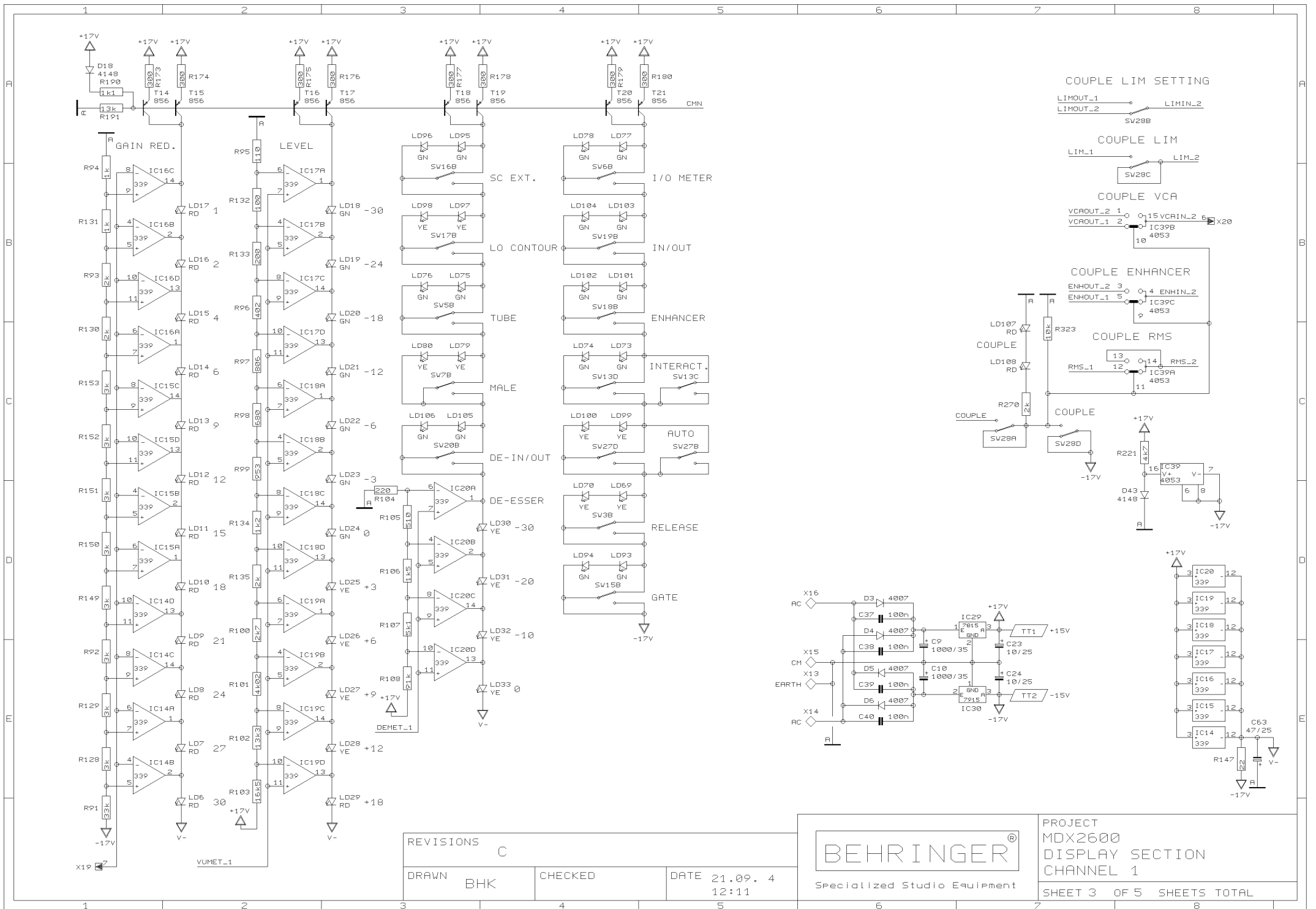
SHEET 1 OF 5 SHEETS TOTAL



REVISIONS C
 DRAWN BHK
 CHECKED
 DATE 21.09. 4
 12:11



PROJECT MDX2600
 SIDE CHAIN SECTION
 CHANNEL 1
 SHEET 2 OF 5 SHEETS TOTAL



REVISIONS
C

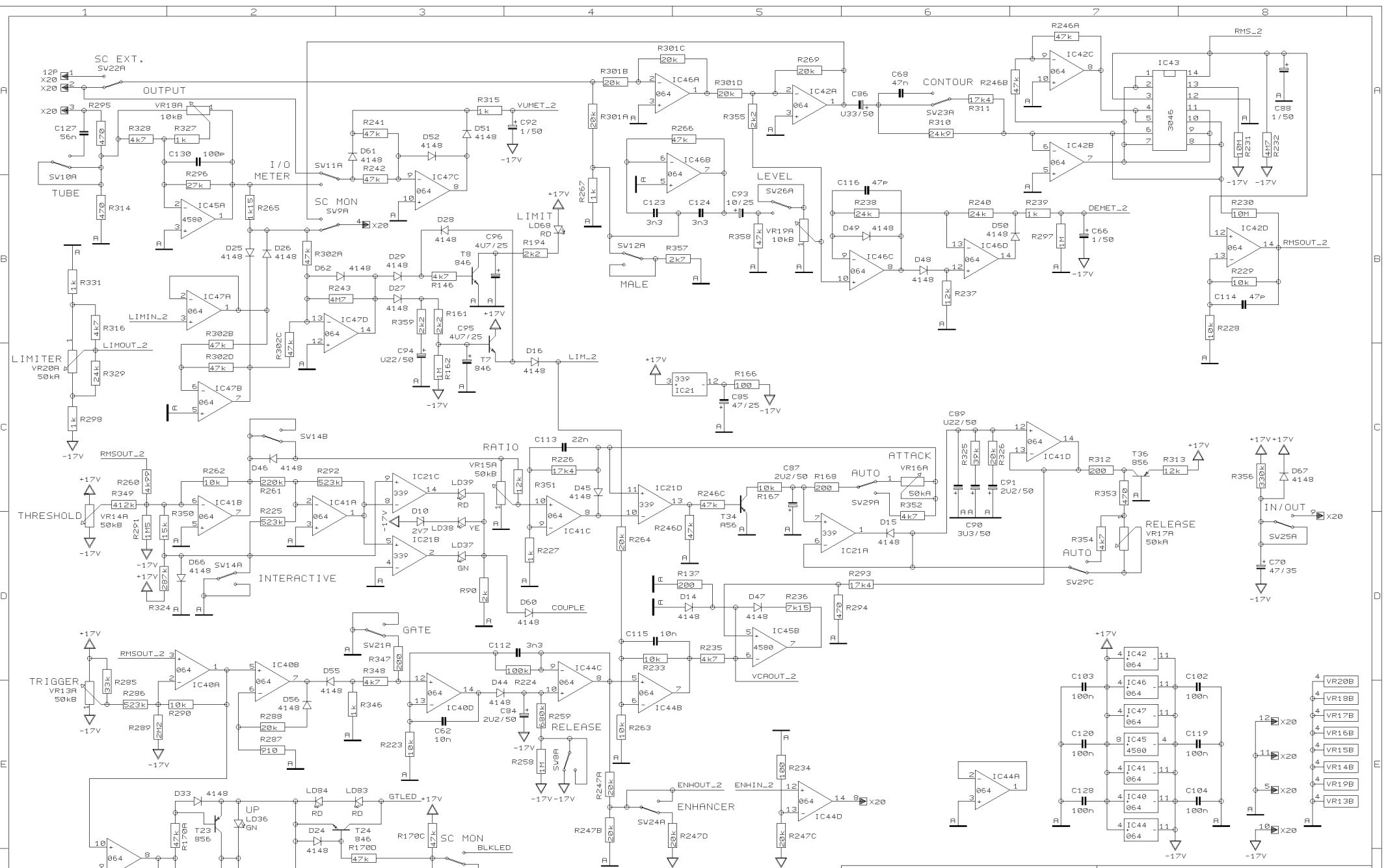
DRAWN BHK

CHECKED

DATE 21.09. 4
12:11

BEHRINGER
Specialized Studio Equipment

PROJECT
MDX2600
DISPLAY SECTION
CHANNEL 1
SHEET 3 OF 5 SHEETS TOTAL

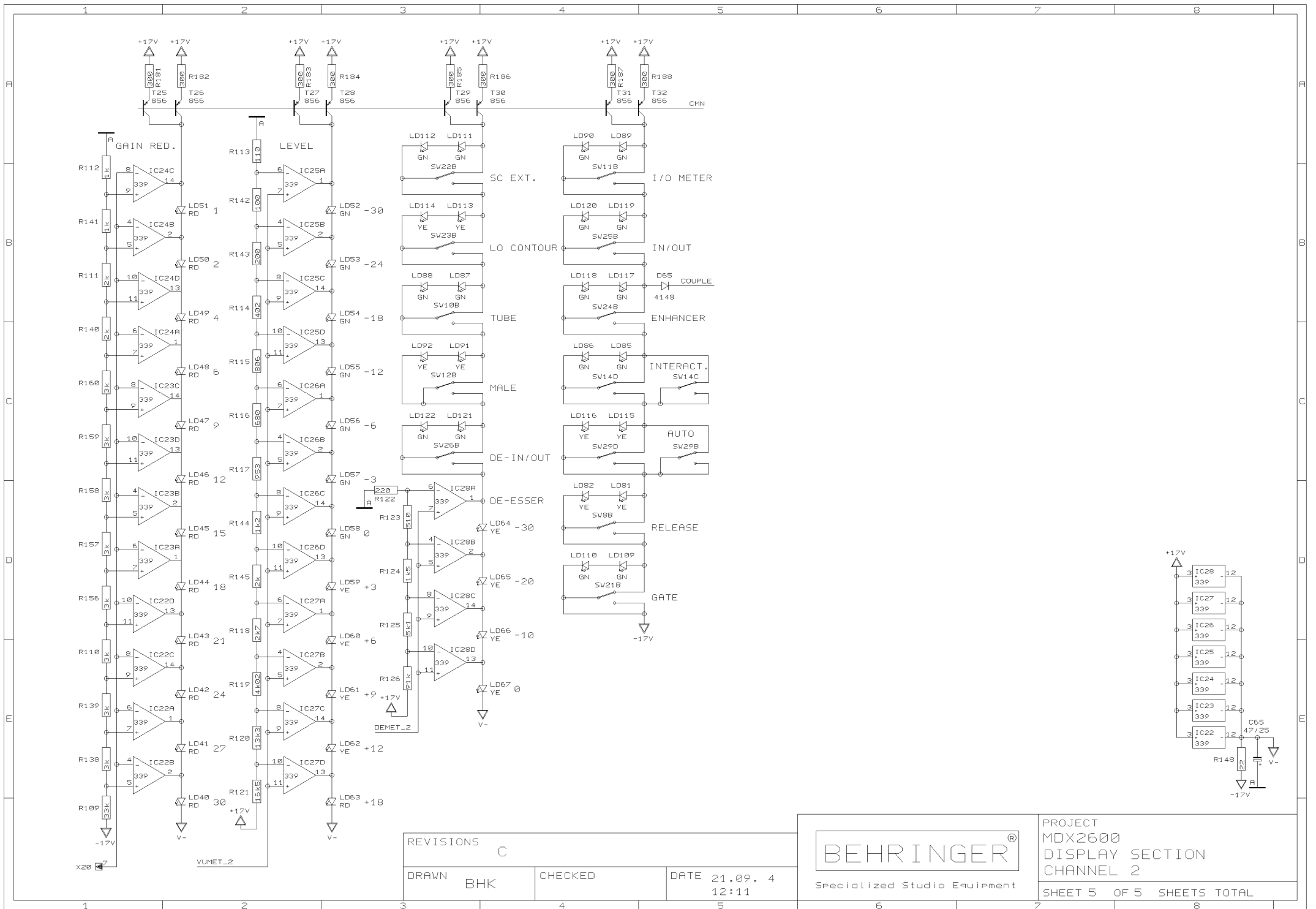


REVISIONS

DRAWN	BHK	CHECKED	DATE	21.09. 4
				12:11



PROJECT
MDX2600
SIDE CHAIN SECTION
CHANNEL 2
SHEET 4 OF 5 SHEETS TOTAL



REVISIONS

C

DRAWN

BHK

CHECKED

DATE 21.09. 4
12:11

BEHRINGER®

Specialized Studio Equipment

PROJECT
MDX2600
DISPLAY SECTION
CHANNEL 2

SHEET 5 OF 5 SHEETS TOTAL