

REVISIONS

DRAWN

CHECKED

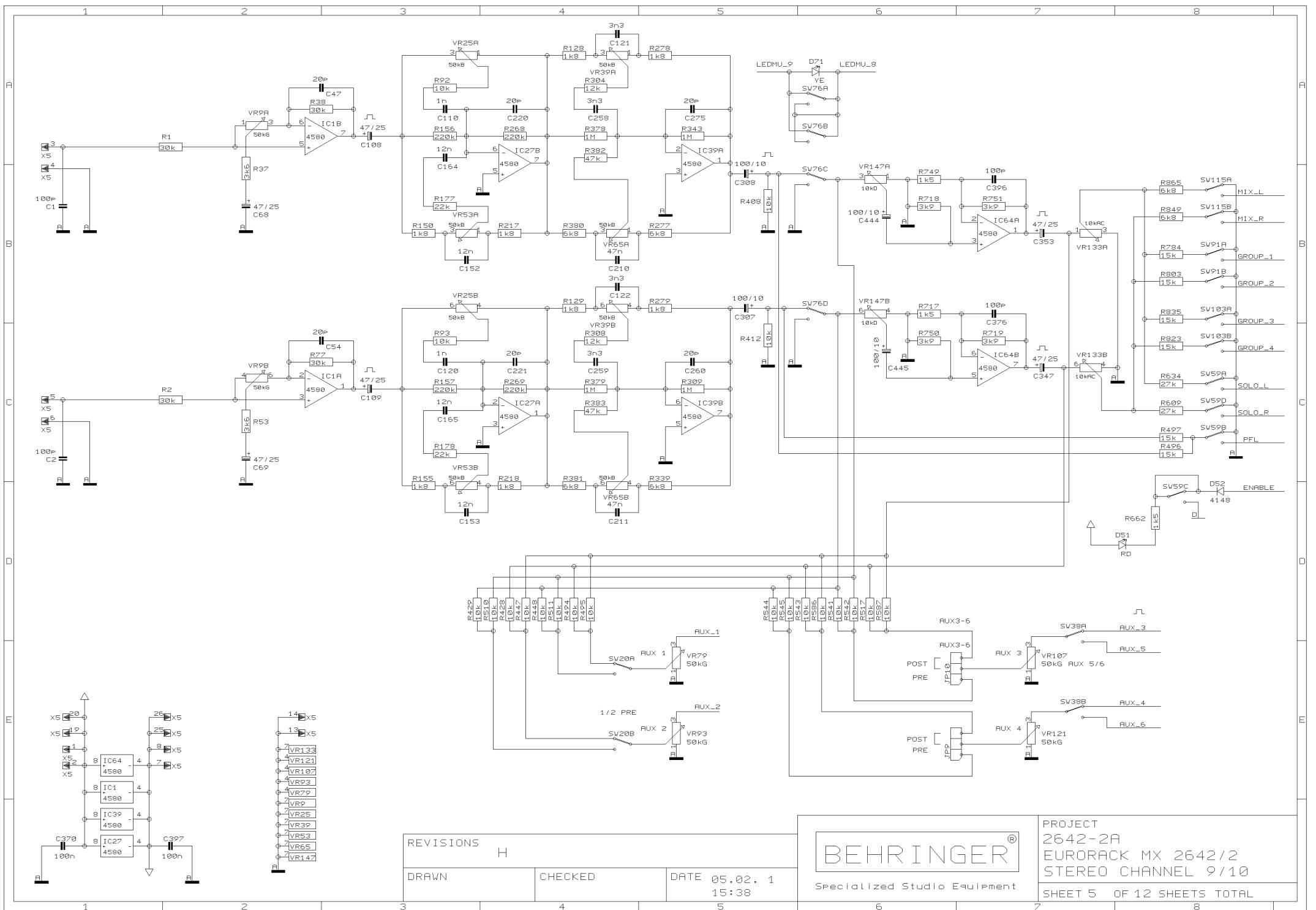
DATE 05.02. 1  
15:38



PROJECT  
2642-2A  
EURORACK MX 2642/2  
MIC CHANNEL 3/4  
SHEET 2 OF 12 SHEETS TOTAL







REVISIONS

H

DRAWN

CHECKED

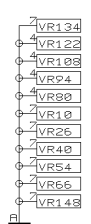
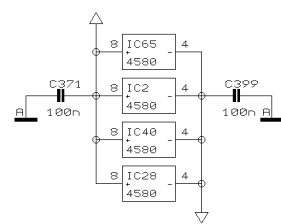
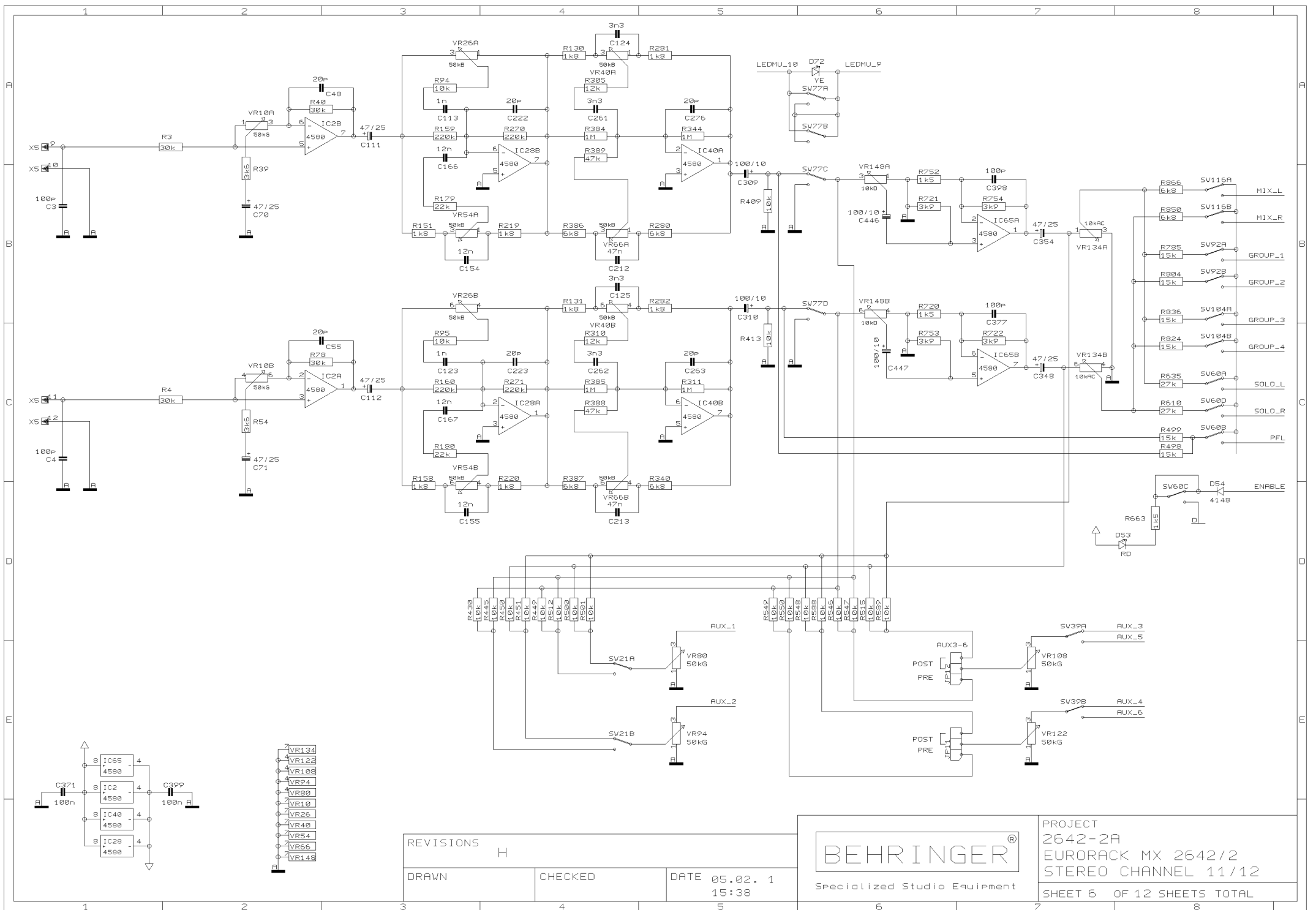
DATE 05.02. 1  
15:38

BEHRINGER®

Specialized Studio Equipment

PROJECT  
2642-2A  
EURORACK MX 2642/2  
STEREO CHANNEL 9/10

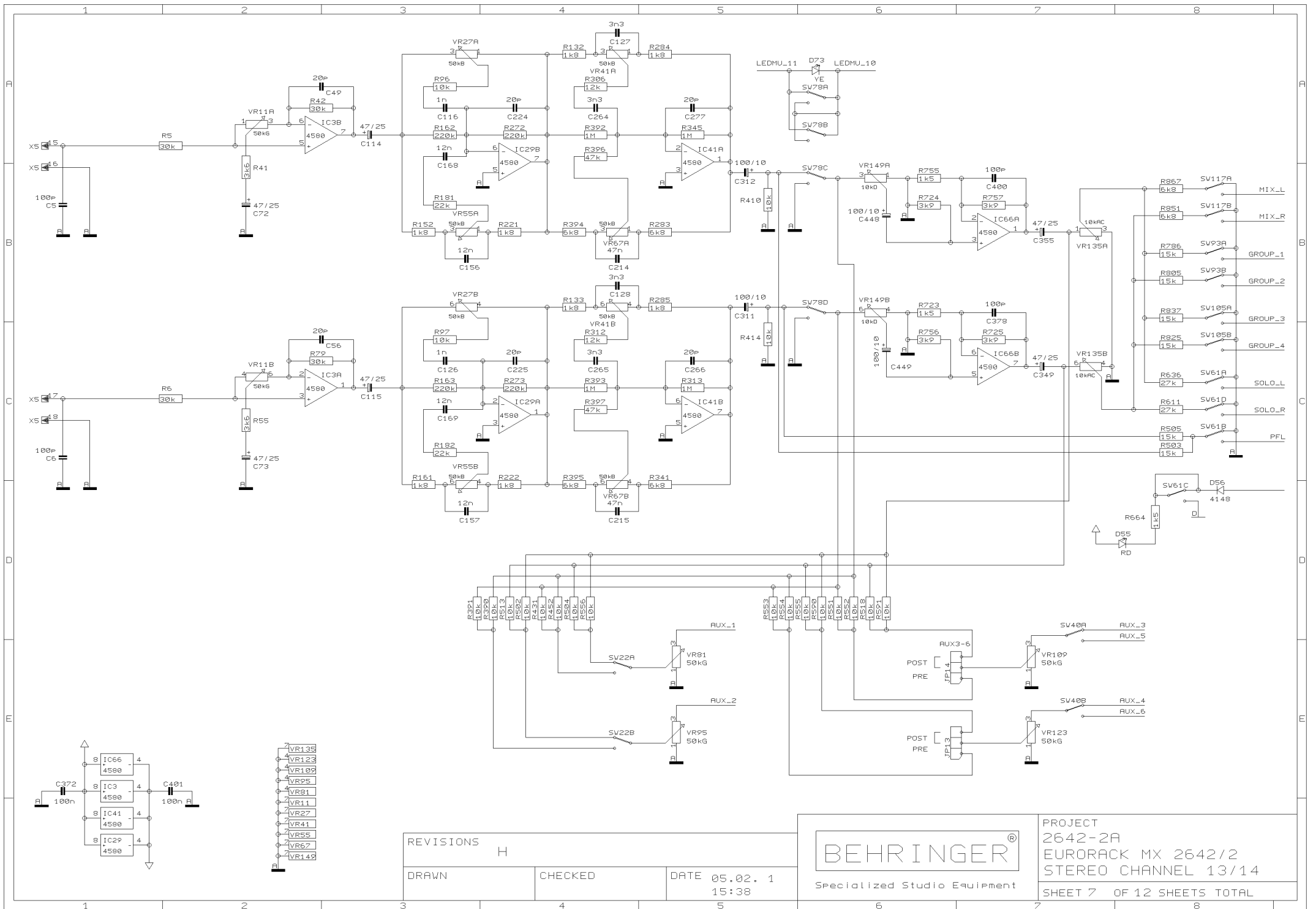
SHEET 5 OF 12 SHEETS TOTAL



|           |         |                        |
|-----------|---------|------------------------|
| REVISIONS |         |                        |
| H         |         |                        |
| DRAWN     | CHECKED | DATE 05.02. 1<br>15:38 |



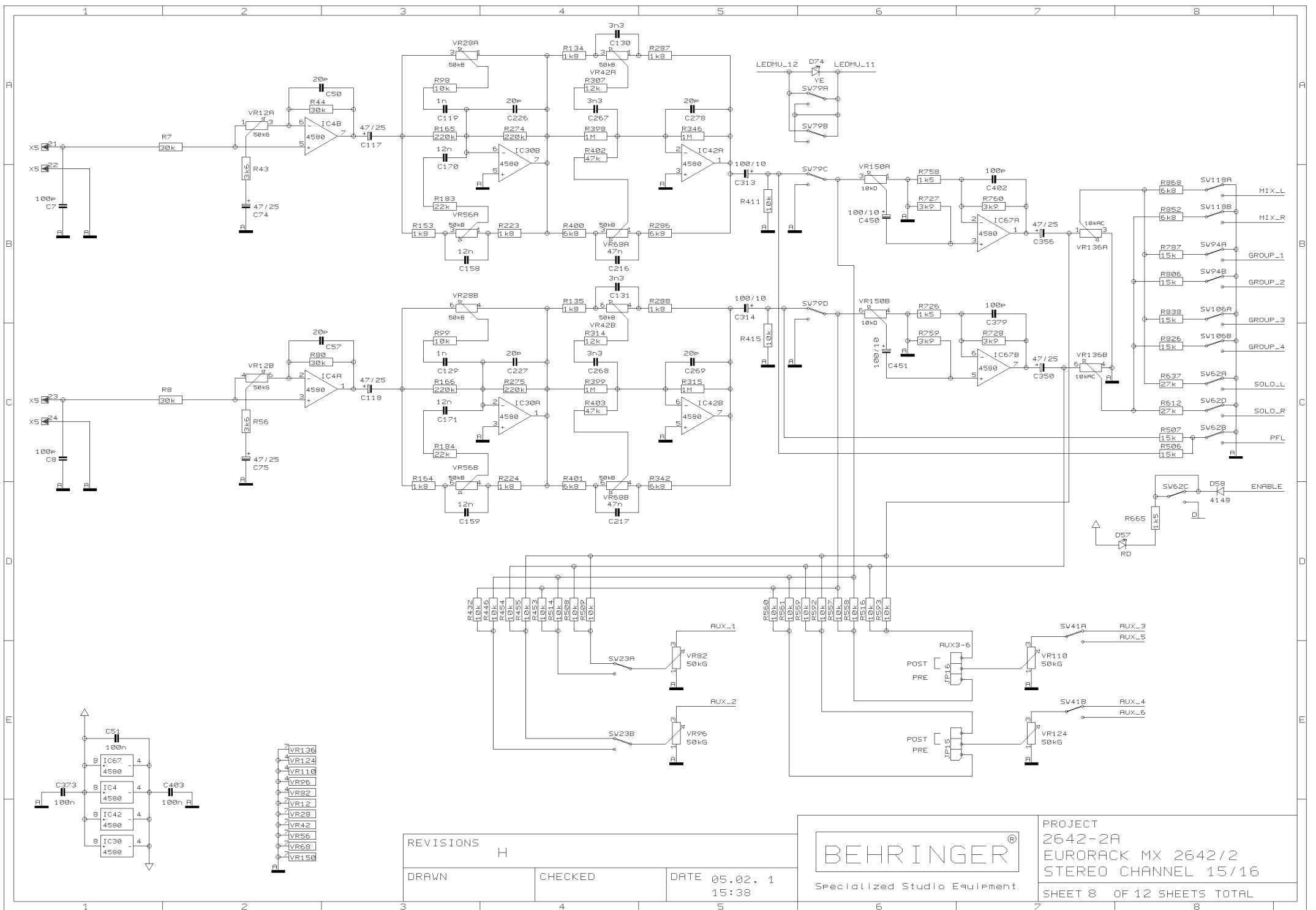
PROJECT  
2642-2A  
EURORACK MX 2642/2  
STEREO CHANNEL 11/12  
SHEET 6 OF 12 SHEETS TOTAL



|           |         |                       |
|-----------|---------|-----------------------|
| REVISIONS |         |                       |
| H         |         |                       |
| DRAWN     | CHECKED | DATE 05.02.1<br>15:38 |



PROJECT  
2642-2A  
EURORACK MX 2642/2  
STEREO CHANNEL 13/14  
SHEET 7 OF 12 SHEETS TOTAL



REVISIONS

H

DRAWN

CHECKED

DATE 05.02. 1  
15:38

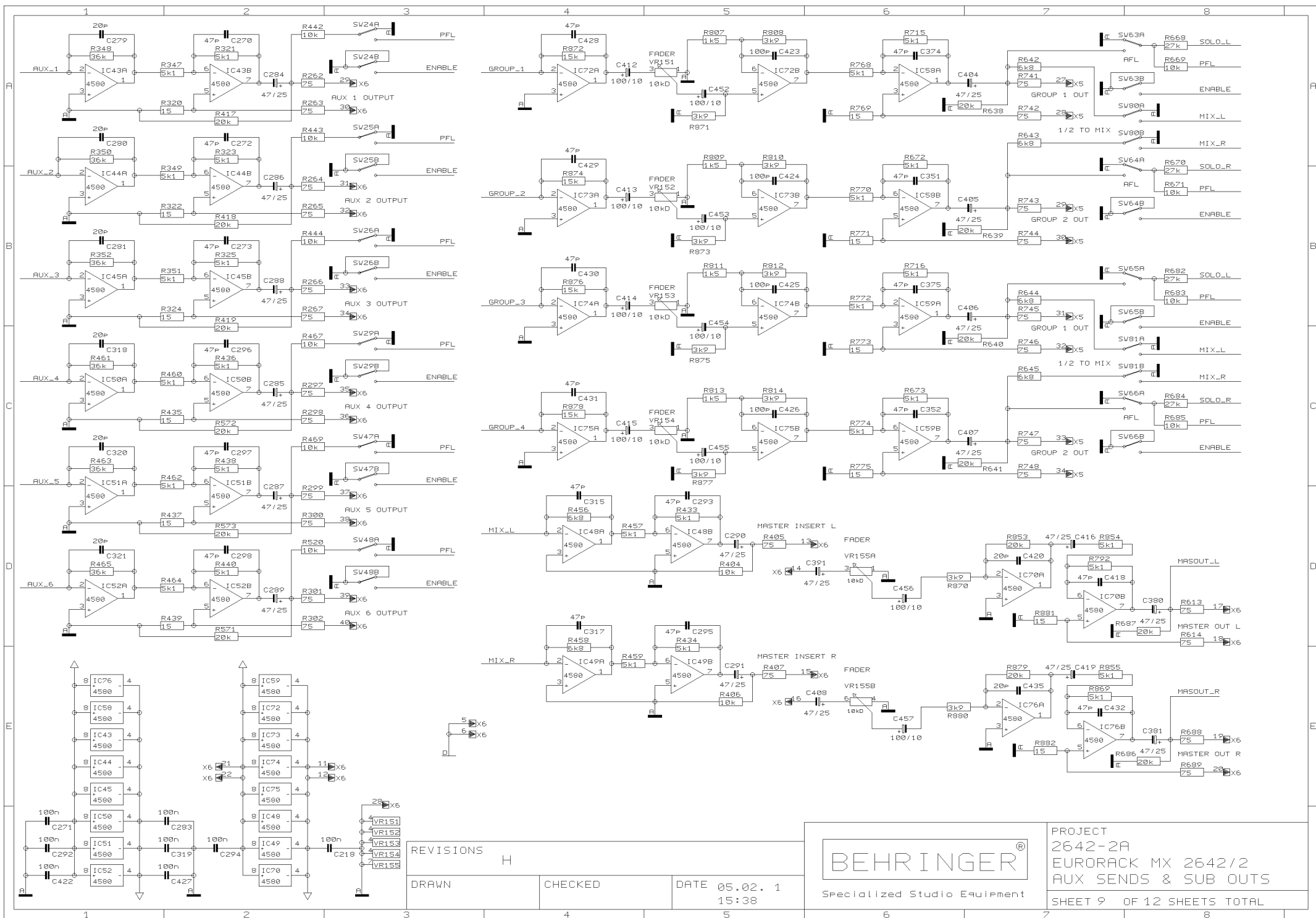


Specialized Studio Equipment

PROJECT  
2642-2A  
EURORACK MX 2642/2  
STEREO CHANNEL 15/16

SHEET 8 OF 12 SHEETS TOTAL





REVISIONS

DRAWN

CHECKED

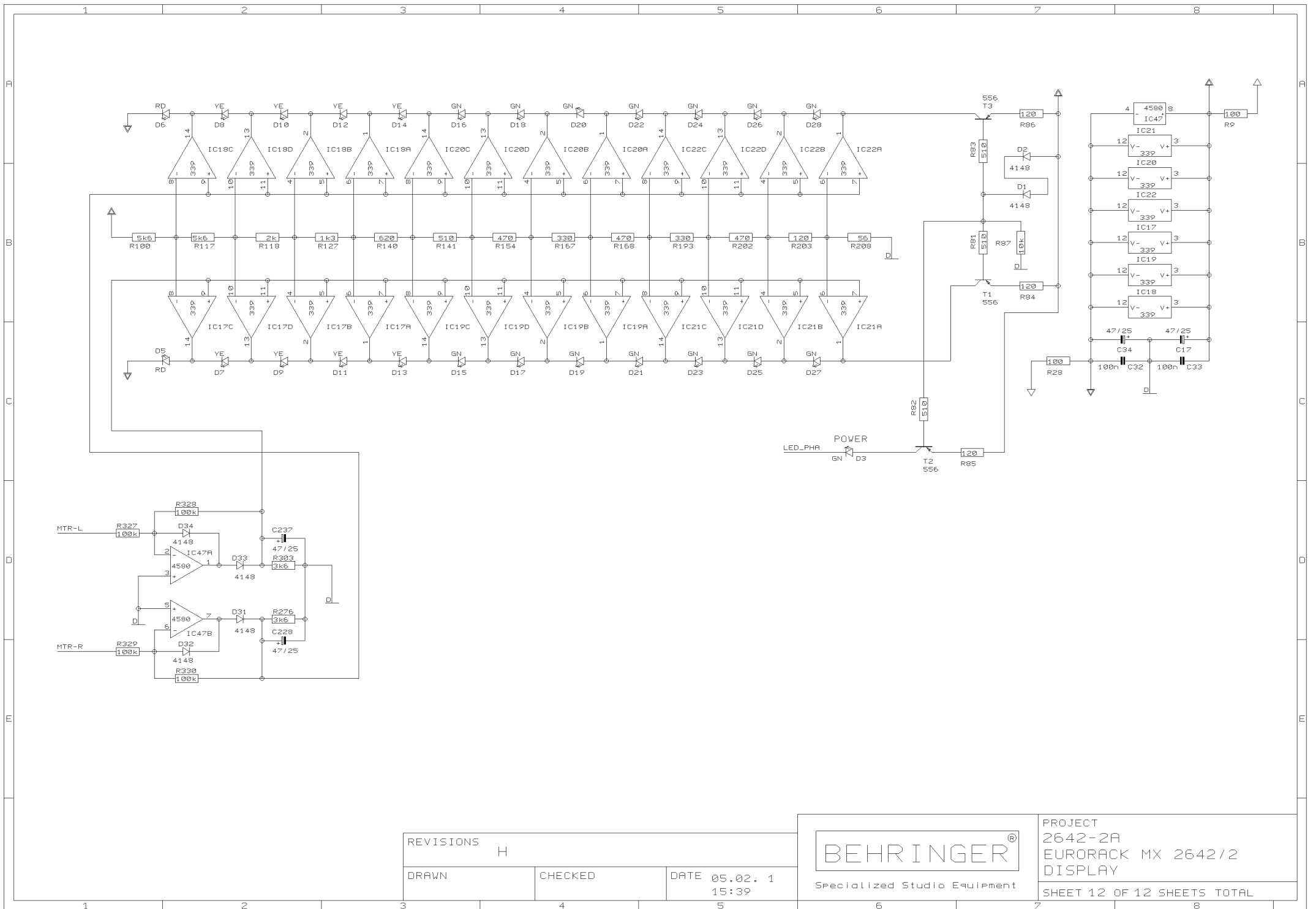
DATE 05.02. 1  
15:38



PROJECT  
2642-2A  
EURORACK MX 2642/2  
AUX SENDS & SUB OUTS  
SHEET 9 OF 12 SHEETS TOTAL







REVISIONS

H

DRAWN

CHECKED

DATE 05.02. 1  
15:39

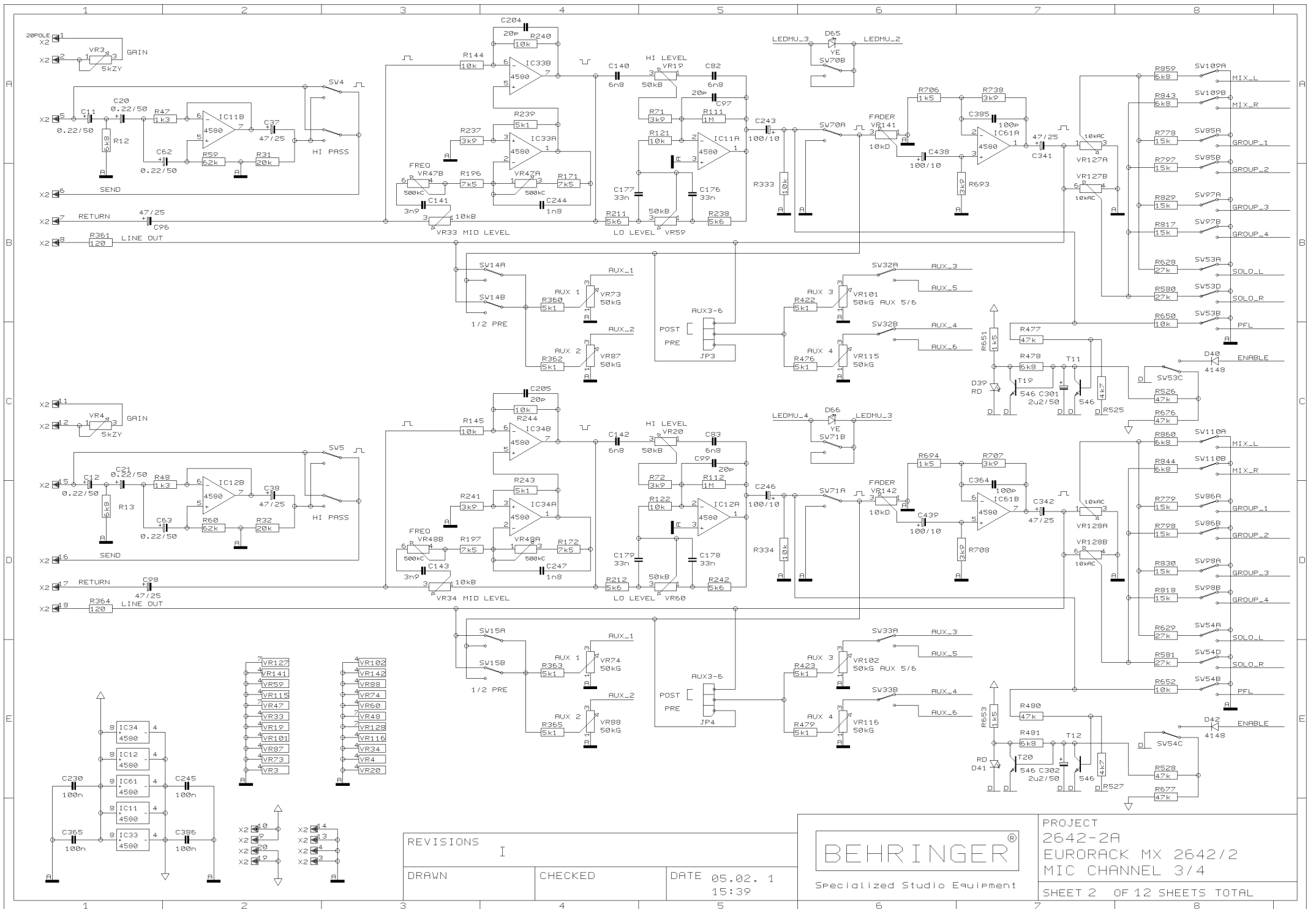
BEHRINGER®

Specialized Studio Equipment

PROJECT  
2642-2A  
EURORACK MX 2642/2  
DISPLAY

SHEET 12 OF 12 SHEETS TOTAL





REVISIONS

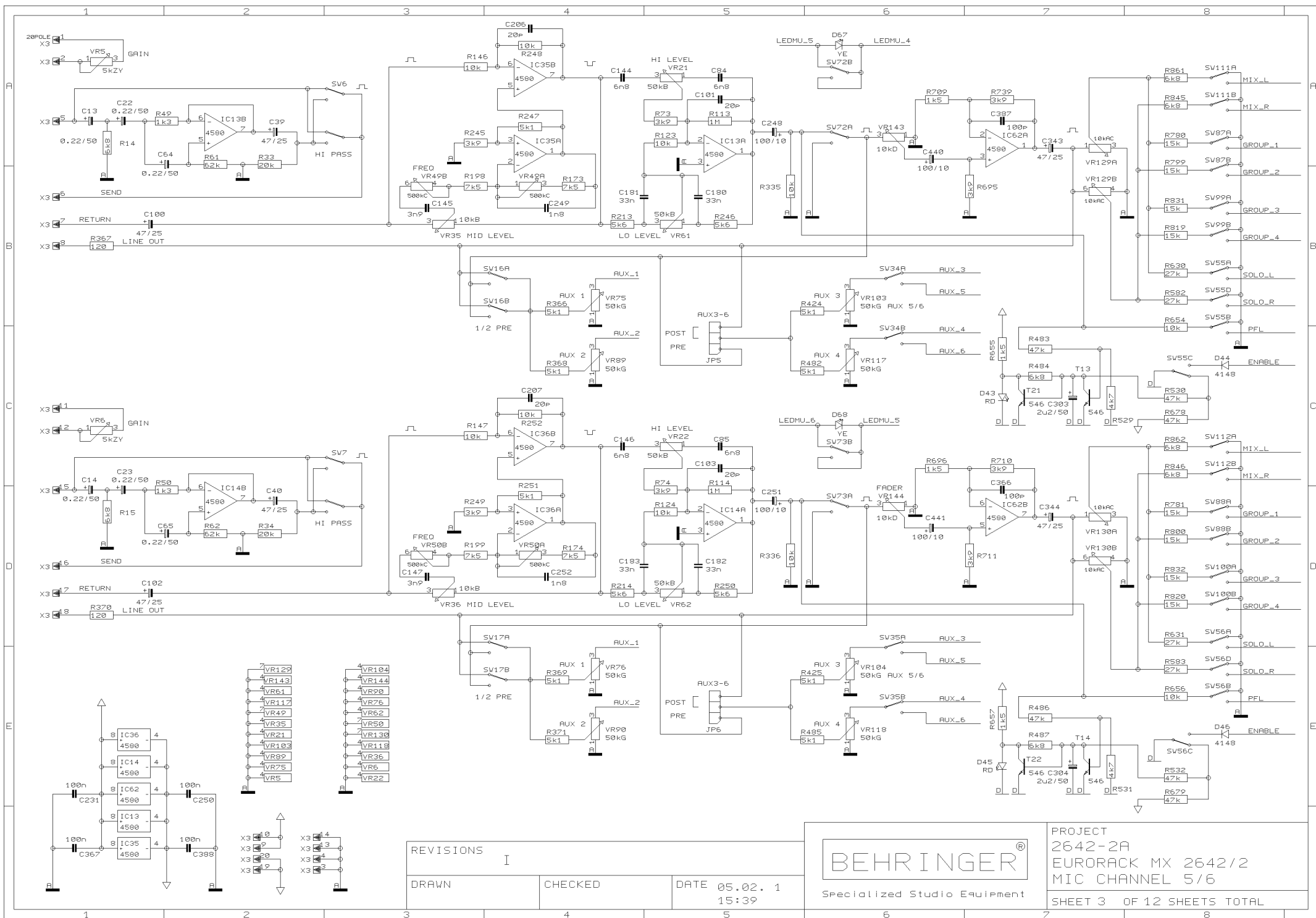
DRAWN

CHECKED

DATE 05.02. 1  
15:39



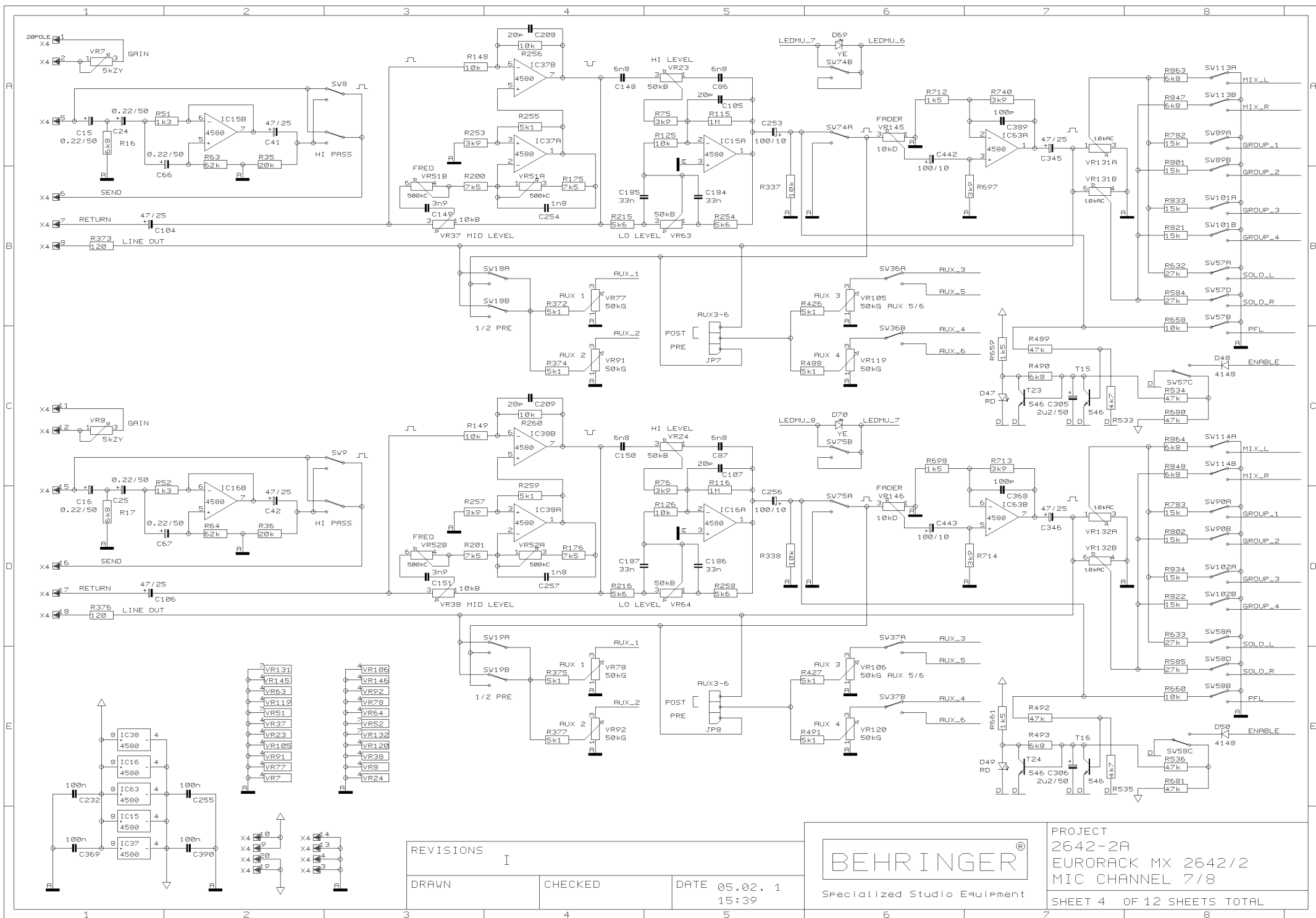
PROJECT  
2642-2A  
EURORACK MX 2642/2  
MIC CHANNEL 3/4  
SHEET 2 OF 12 SHEETS TOTAL



|           |         |                        |
|-----------|---------|------------------------|
| REVISIONS |         |                        |
| I         |         |                        |
| DRAWN     | CHECKED | DATE 05.02. 1<br>15:39 |



PROJECT  
2642-2A  
EURORACK MX 2642/2  
MIC CHANNEL 5/6  
SHEET 3 OF 12 SHEETS TOTAL



|           |         |                        |
|-----------|---------|------------------------|
| REVISIONS |         |                        |
| I         |         |                        |
| DRAWN     | CHECKED | DATE 05.02. 1<br>15:39 |

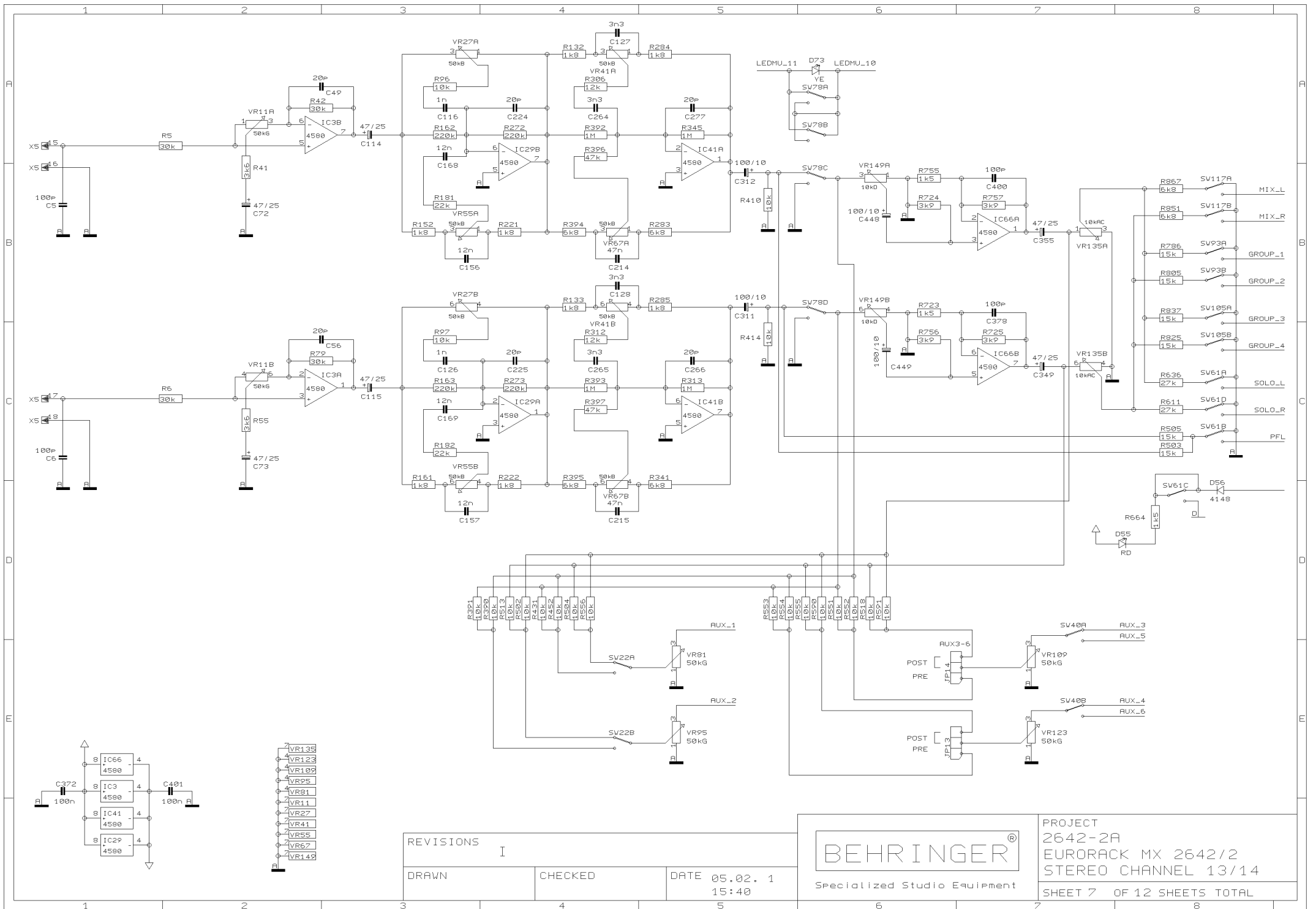


PROJECT  
2642-2A  
EURORACK MX 2642/2  
MIC CHANNEL 7/8  
SHEET 4 OF 12 SHEETS TOTAL









REVISIONS

I

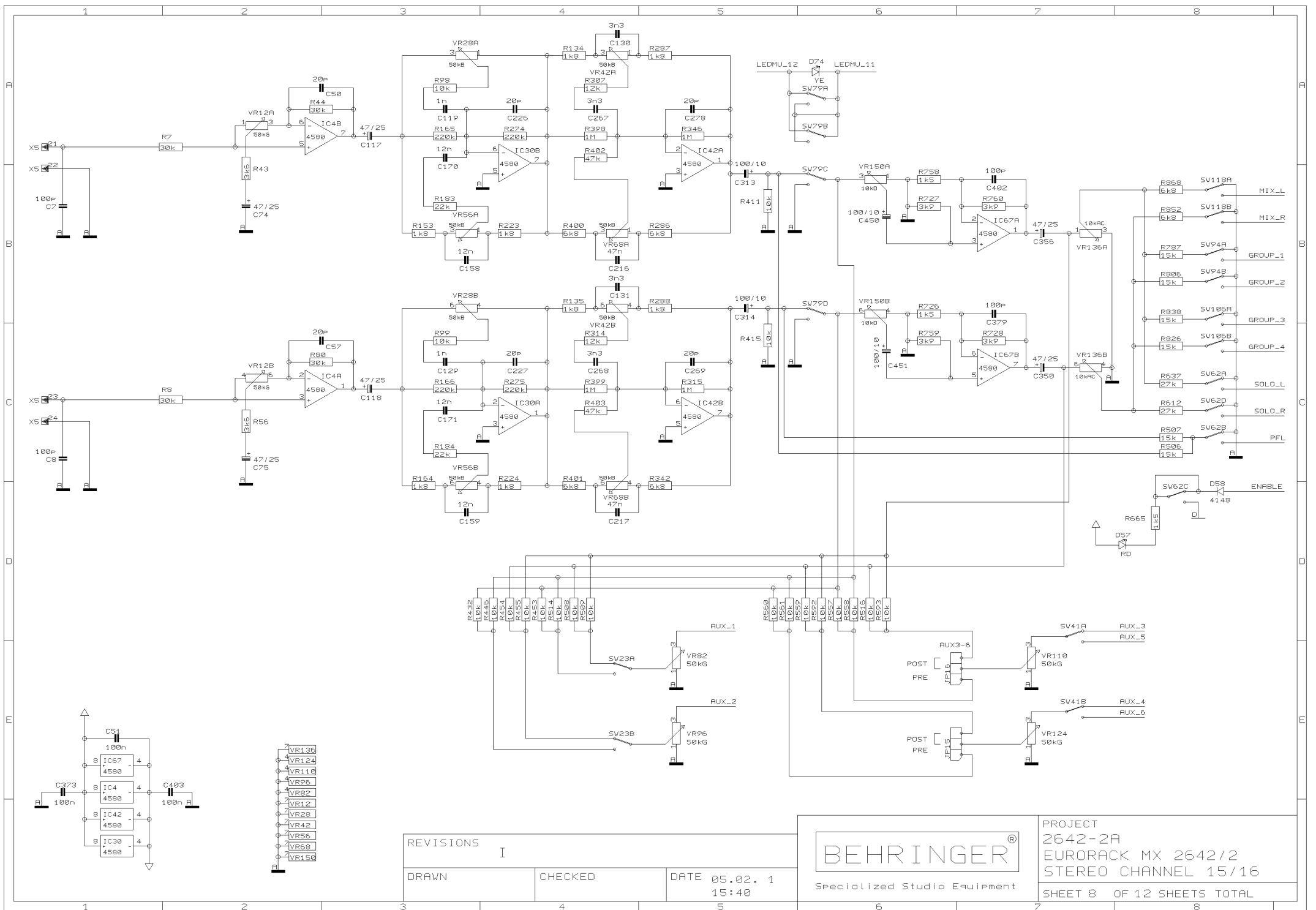
DRAWN

CHECKED

DATE 05.02. 1  
15:40



PROJECT  
2642-2A  
EURORACK MX 2642/2  
STEREO CHANNEL 13/14  
SHEET 7 OF 12 SHEETS TOTAL



REVISIONS

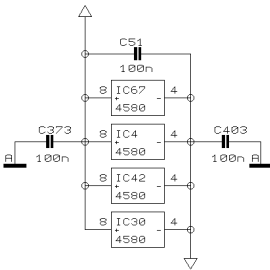
DRAWN

CHECKED

DATE 05.02. 1  
15:40

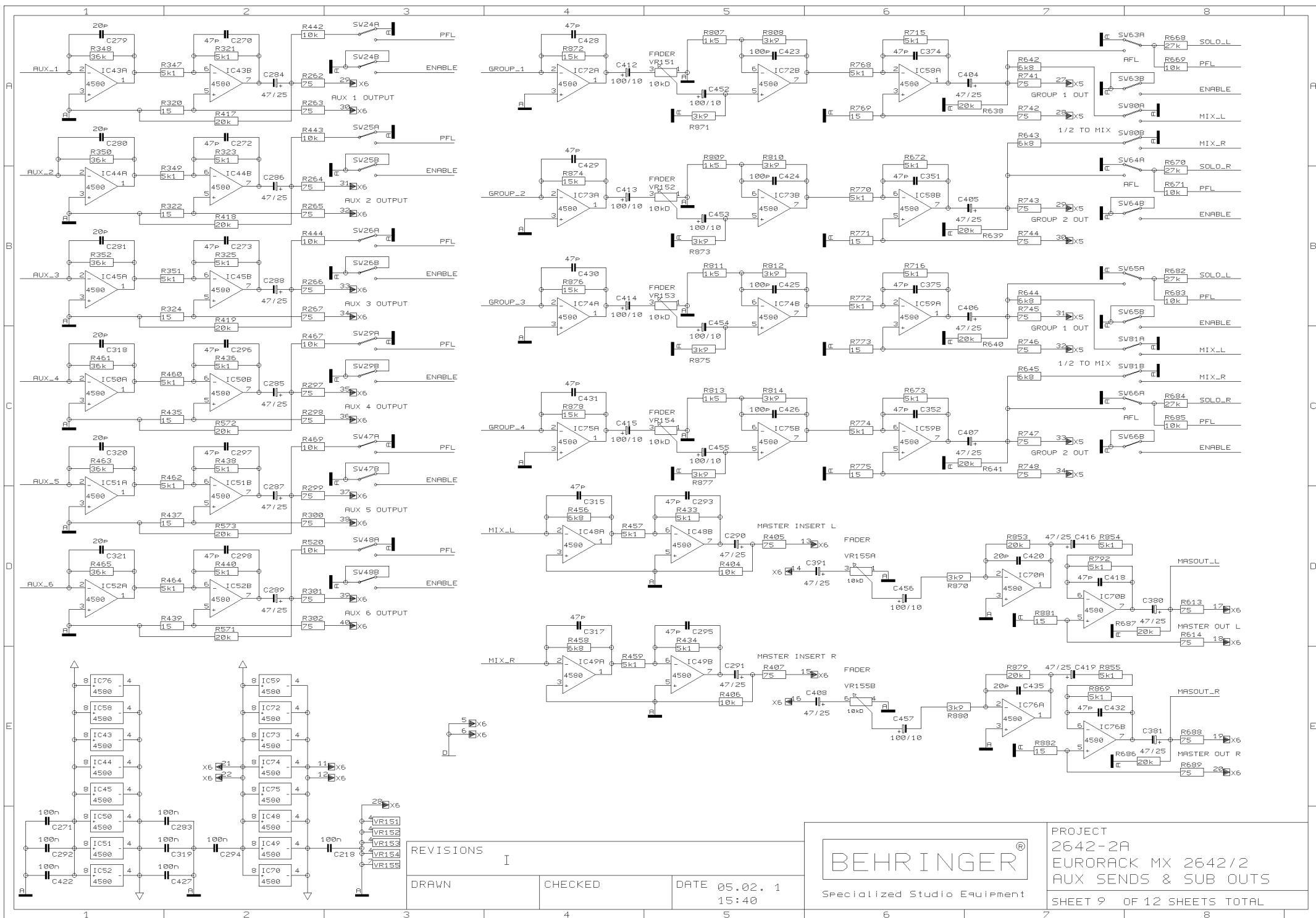


PROJECT  
2642-2A  
EURORACK MX 2642/2  
STEREO CHANNEL 15/16  
SHEET 8 OF 12 SHEETS TOTAL



- VR136
- VR124
- VR110
- VR96
- VR92
- VR12
- VR28
- VR42
- VR56
- VR68
- VR150

I



REVISIONS I

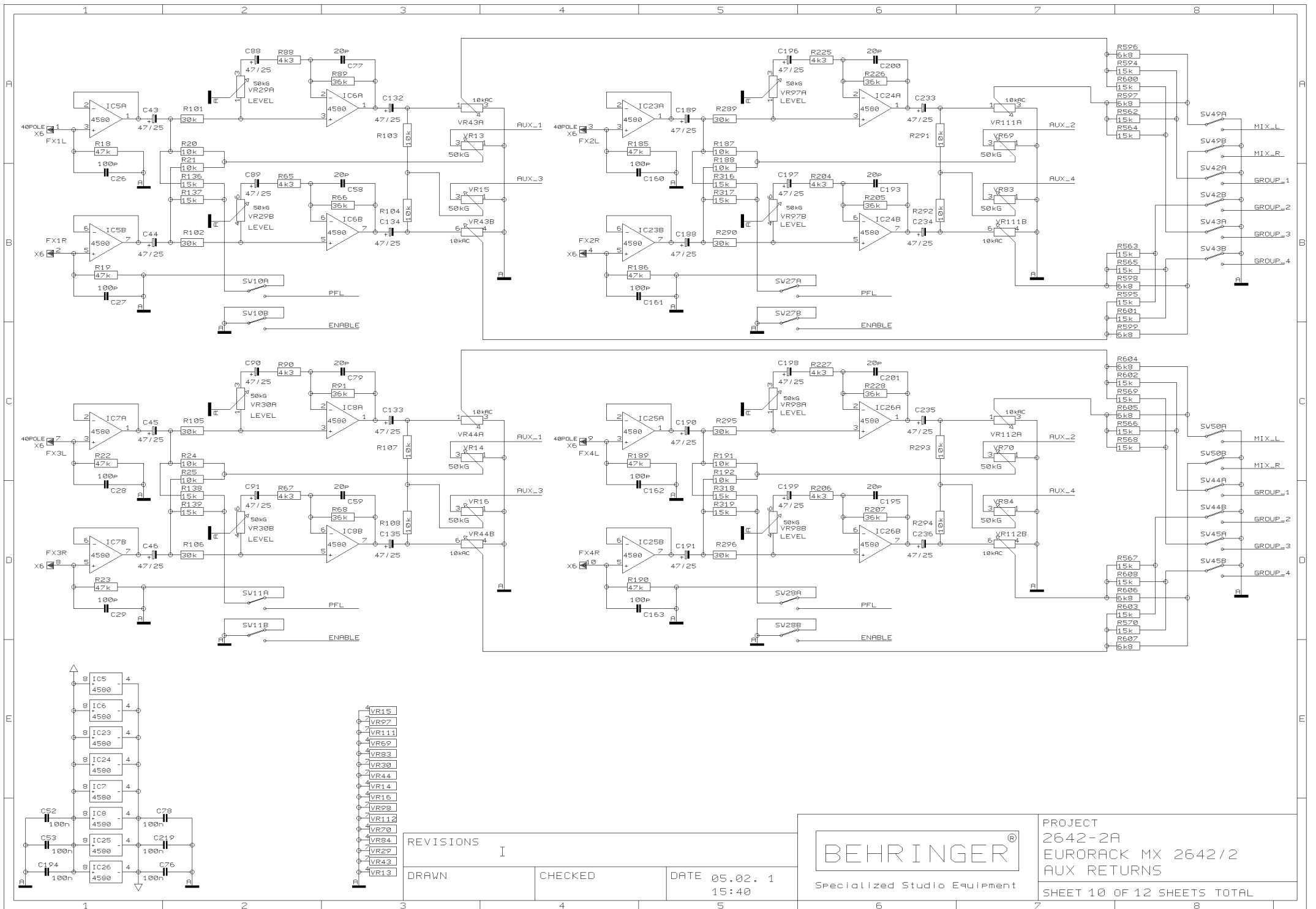
DRAWN

CHECKED

DATE 05.02. 1  
15:40



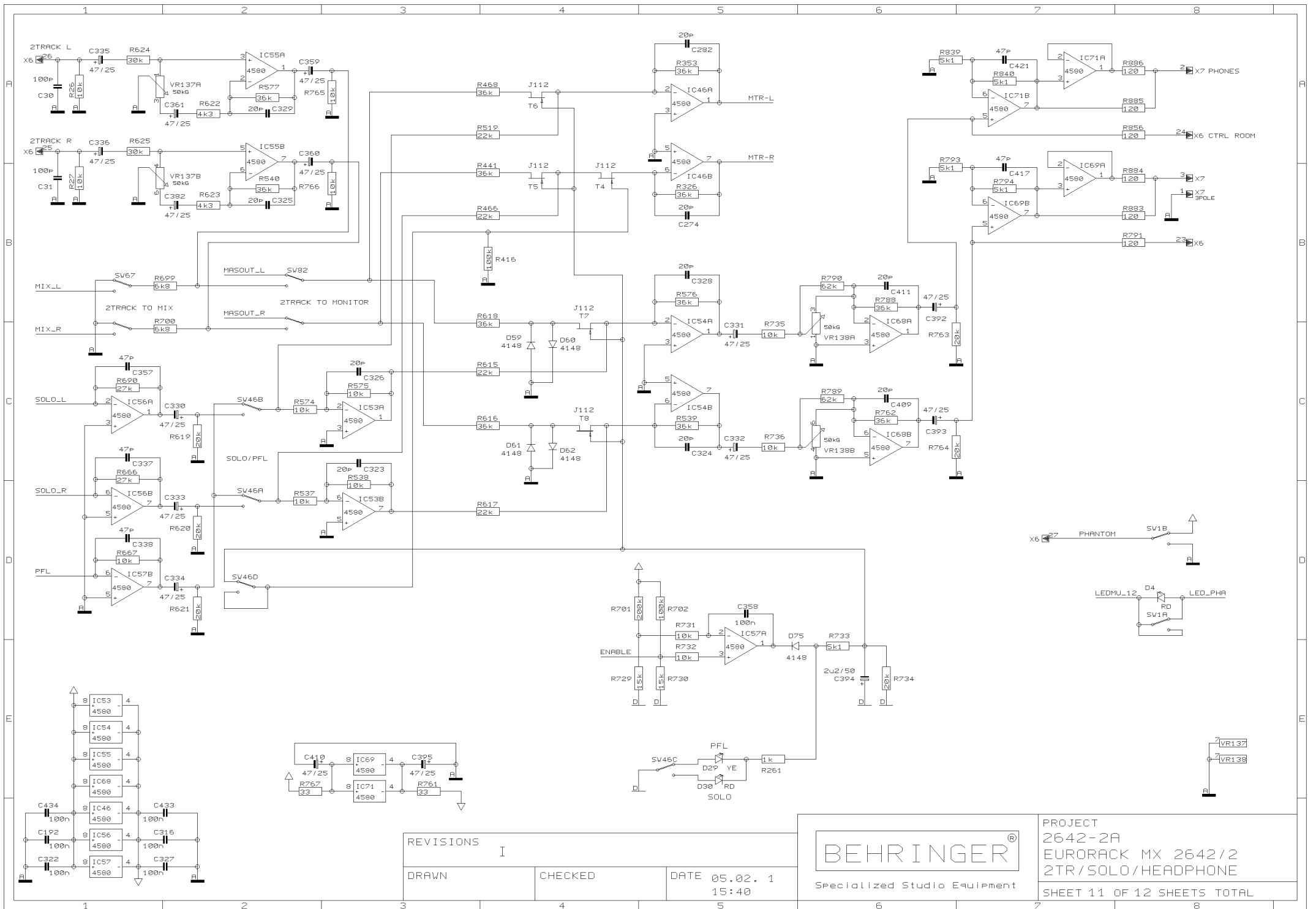
PROJECT  
2642-2A  
EURORACK MX 2642/2  
AUX SENDS & SUB OUTS  
SHEET 9 OF 12 SHEETS TOTAL



|           |                   |
|-----------|-------------------|
| REVISIONS | I                 |
| DRAWN     | CHECKED           |
| DATE      | 05.02. 1<br>15:40 |



PROJECT  
 2642-2A  
 EURORACK MX 2642/2  
 AUX RETURNS  
 SHEET 10 OF 12 SHEETS TOTAL



REVISIONS

I

DRAWN

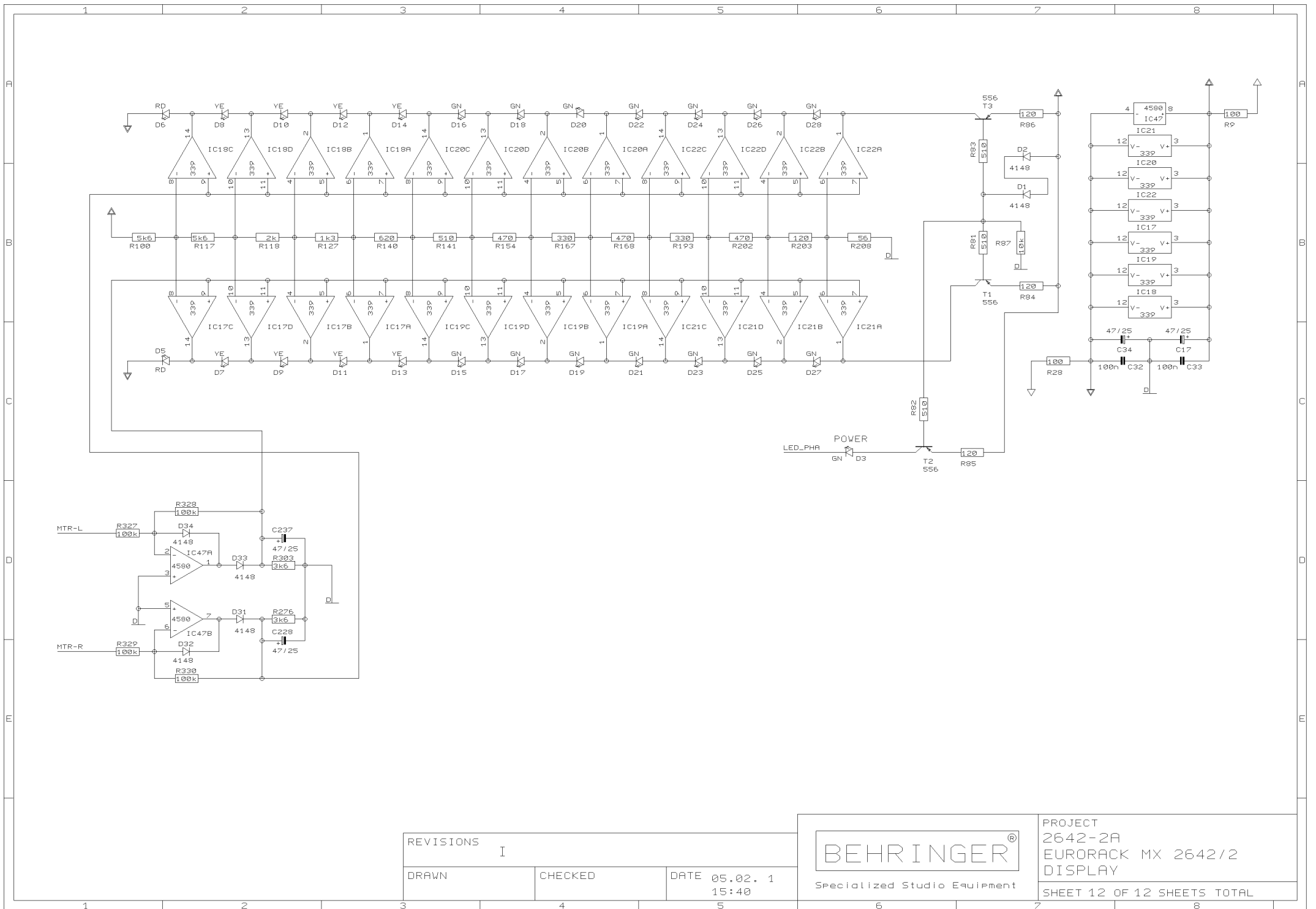
CHECKED

DATE 05.02. 1  
15:40

BEHRINGER®

Specialized Studio Equipment

PROJECT  
2642-2A  
EURORACK MX 2642/2  
2TR/SOLO/HEADPHONE  
SHEET 11 OF 12 SHEETS TOTAL



REVISIONS

I

DRAWN

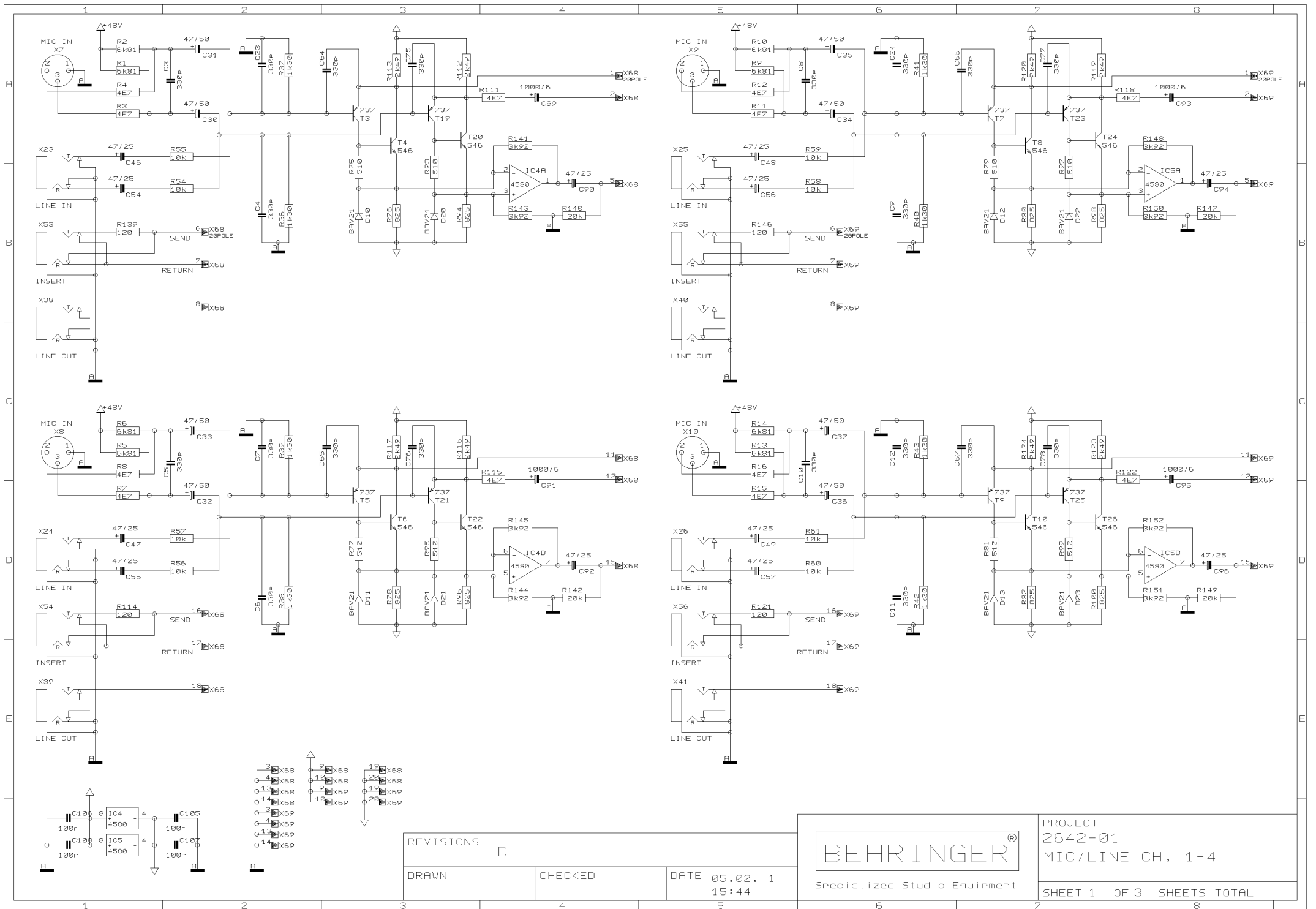
CHECKED

DATE 05.02. 1  
15:40



PROJECT  
2642-2A  
EURORACK MX 2642/2  
DISPLAY  
SHEET 12 OF 12 SHEETS TOTAL





REVISIONS

D

DRAWN

CHECKED

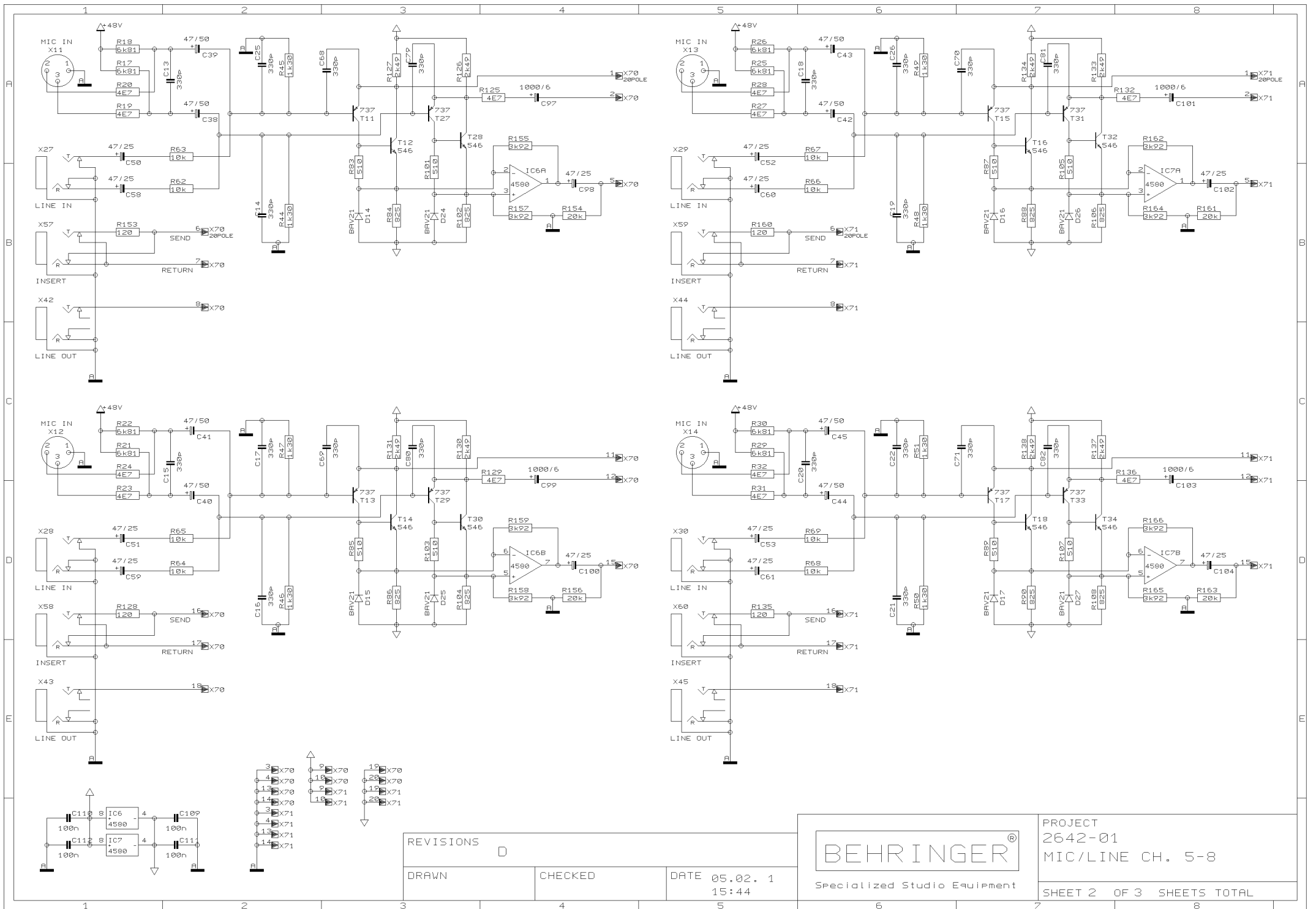
DATE 05.02. 1  
15:44

BEHRINGER®

Specialized Studio Equipment

PROJECT  
2642-01  
MIC/LINE CH. 1-4

SHEET 1 OF 3 SHEETS TOTAL



REVISIONS

D

DRAWN

CHECKED

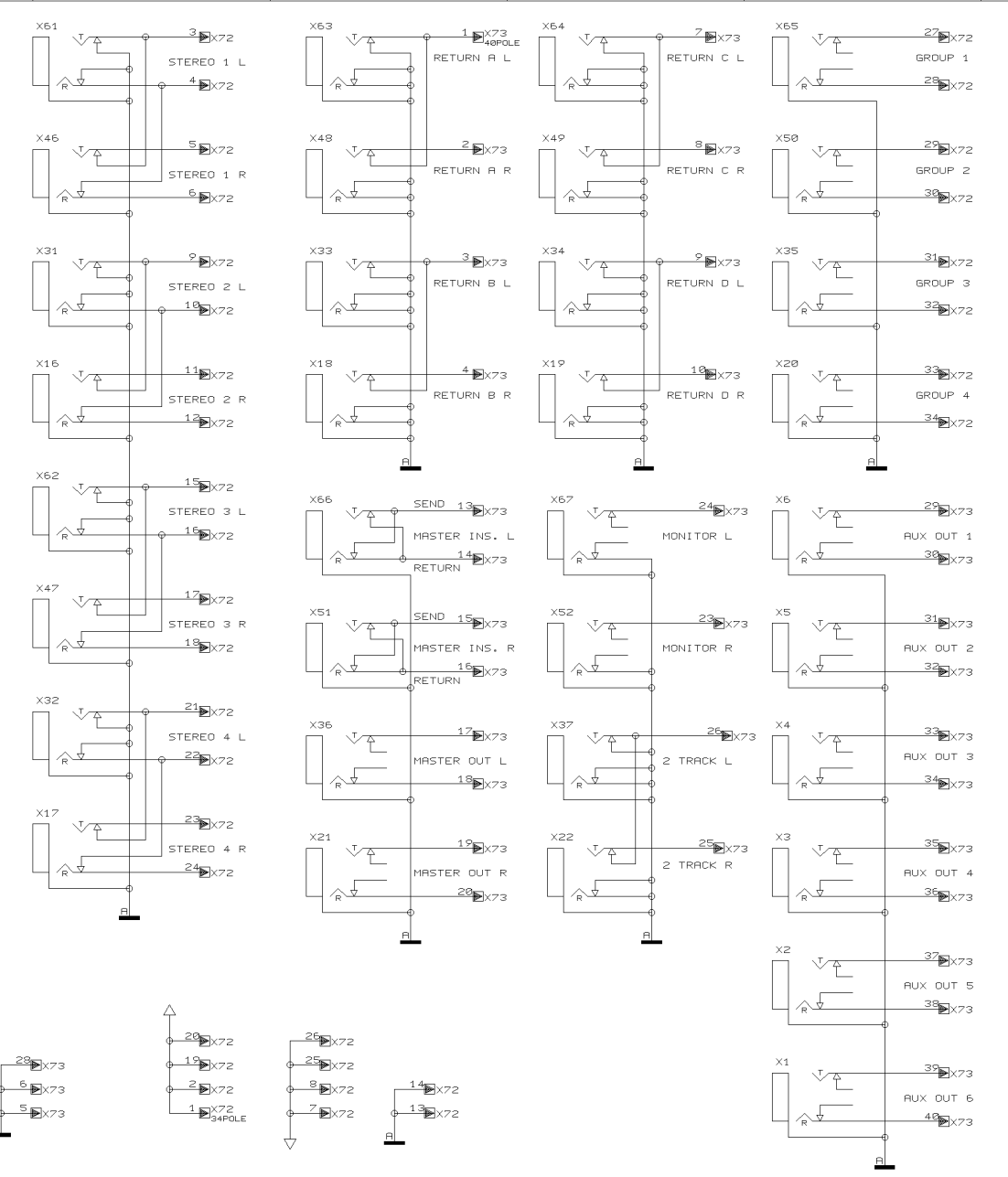
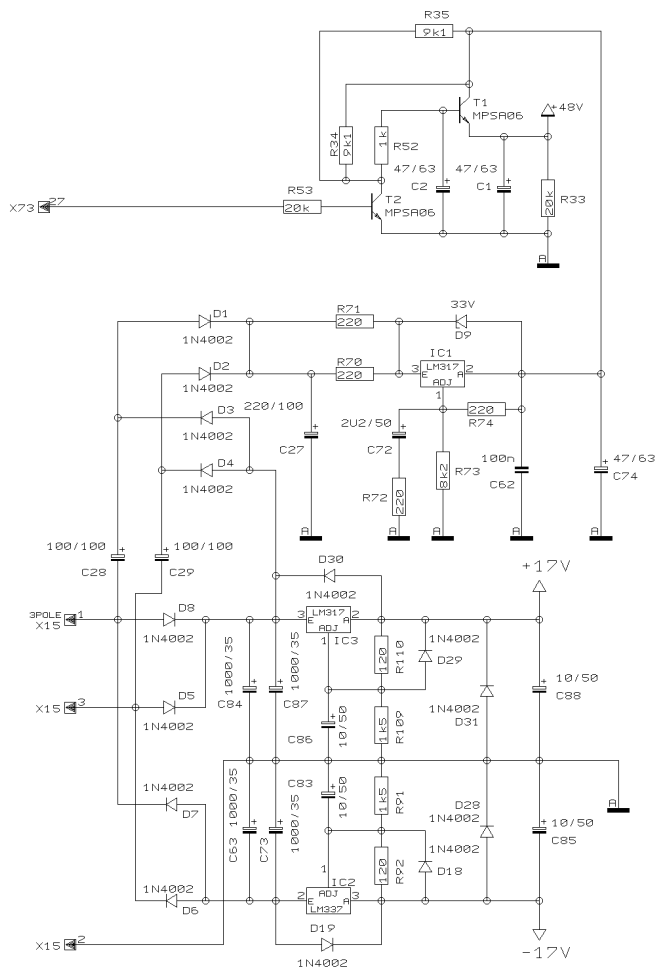
DATE 05.02. 1  
15:44

BEHRINGER®

Specialized Studio Equipment

PROJECT  
2642-01  
MIC/LINE CH. 5-8

SHEET 2 OF 3 SHEETS TOTAL



|           |         |                   |
|-----------|---------|-------------------|
| REVISIONS |         |                   |
| D         |         |                   |
| DRAWN     | CHECKED | DATE 05.02. 15:44 |

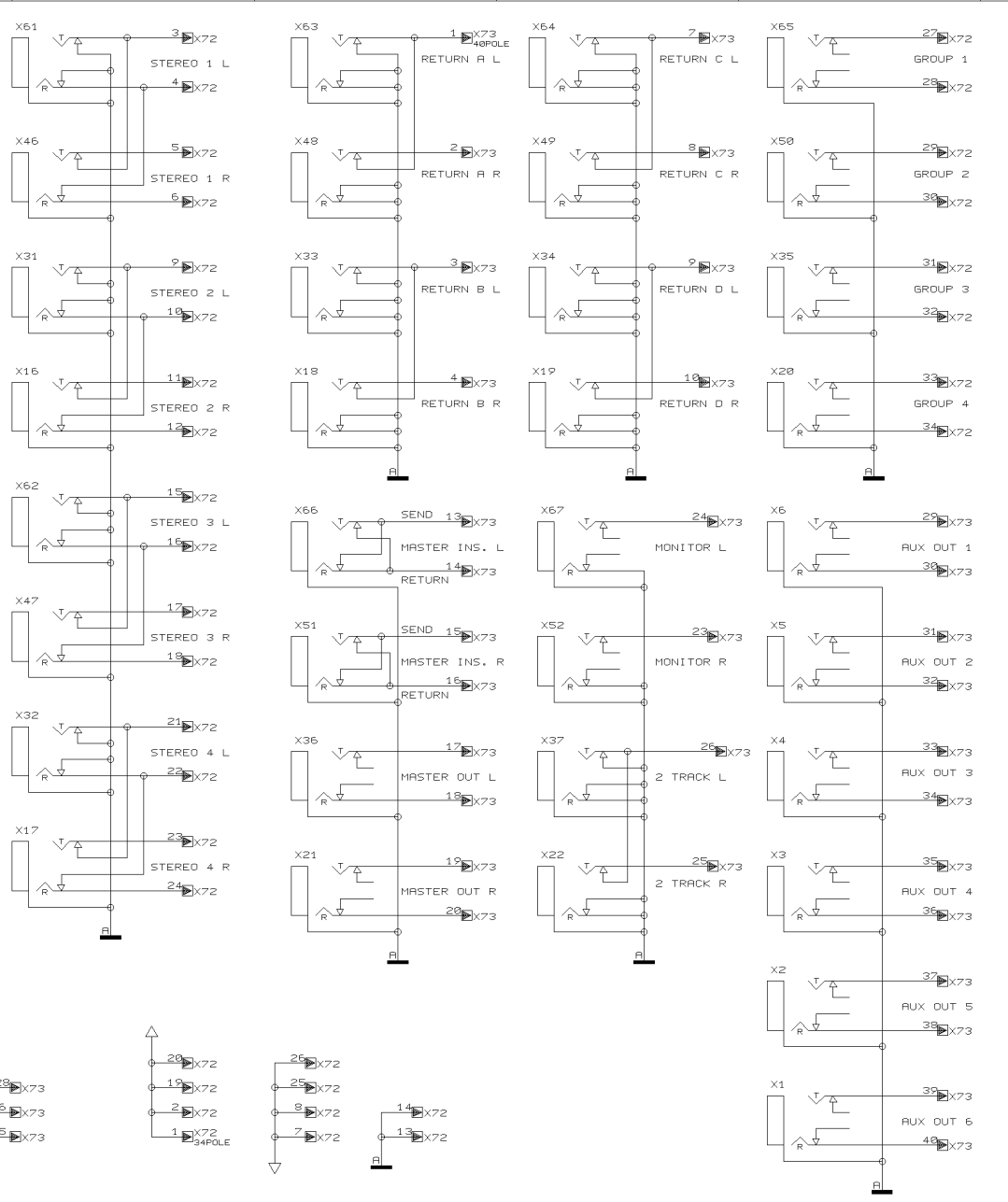
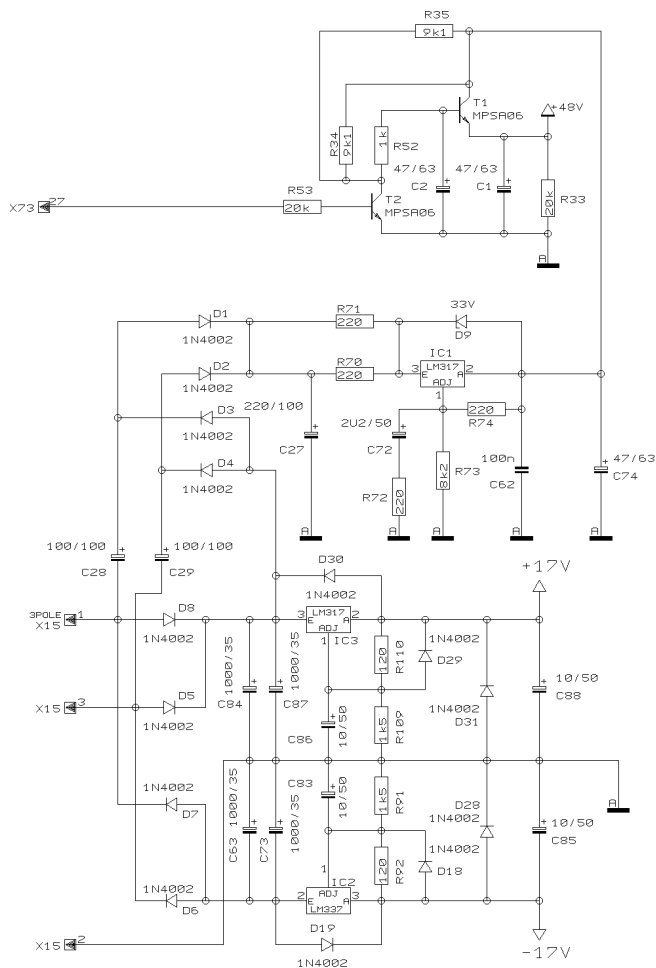


PROJECT  
2642-01  
POWER SUPPLY & I/O

SHEET 3 OF 3 SHEETS TOTAL





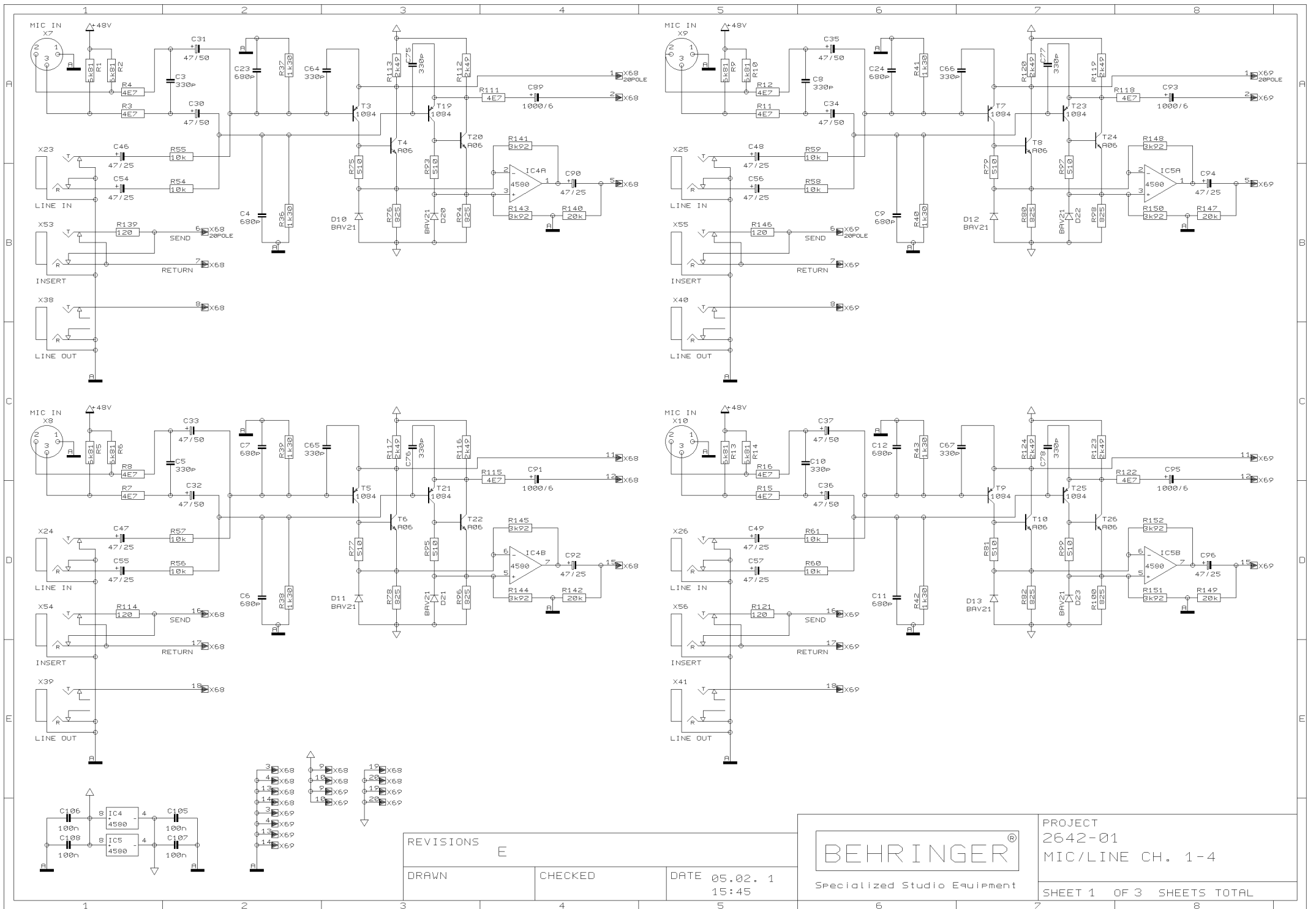


|           |         |                   |
|-----------|---------|-------------------|
| REVISIONS |         |                   |
| D         |         |                   |
| DRAWN     | CHECKED | DATE 05.02. 15:45 |



PROJECT  
2642-01B  
POWER SUPPLY & I/O

SHEET 3 OF 3 SHEETS TOTAL

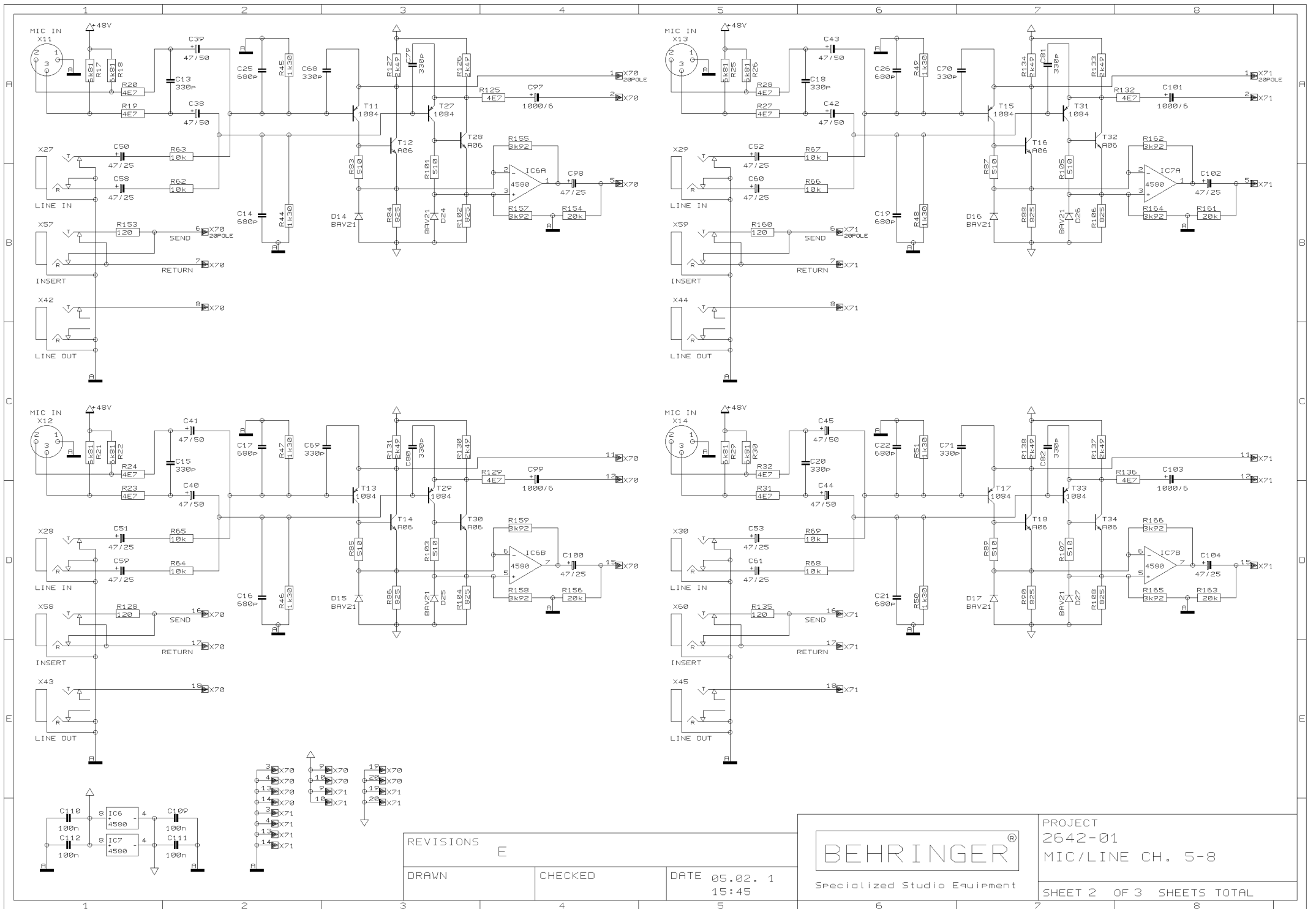


|           |         |                   |
|-----------|---------|-------------------|
| REVISIONS | E       |                   |
| DRAWN     | CHECKED | DATE 05.02. 15:45 |



PROJECT  
2642-01  
MIC/LINE CH. 1-4

SHEET 1 OF 3 SHEETS TOTAL



REVISIONS

E

DRAWN

CHECKED

DATE 05.02. 1  
15:45

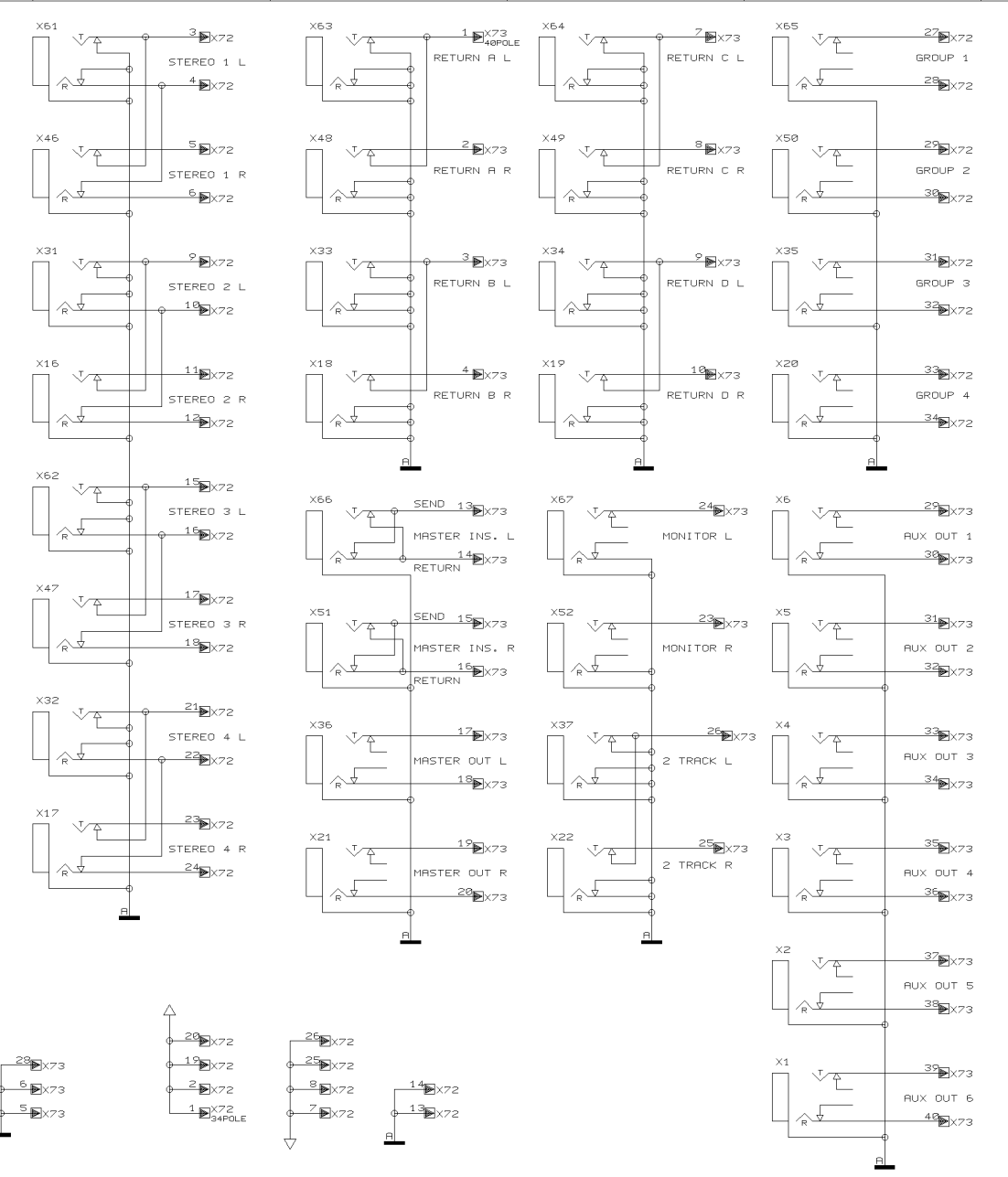
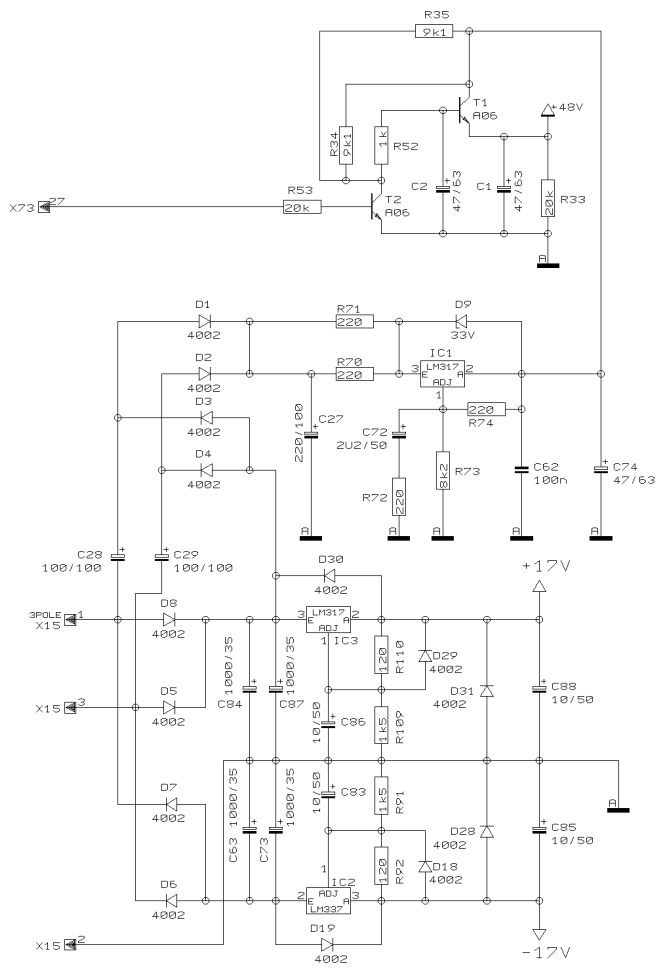


Specialized Studio Equipment

PROJECT  
2642-01  
MIC/LINE CH. 5-8

SHEET 2 OF 3 SHEETS TOTAL





|           |         |                   |
|-----------|---------|-------------------|
| REVISIONS |         |                   |
| E         |         |                   |
| DRAWN     | CHECKED | DATE 05.02. 15:45 |



PROJECT  
2642-01  
POWER SUPPLY & I/O

SHEET 3 OF 3 SHEETS TOTAL