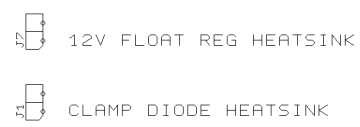
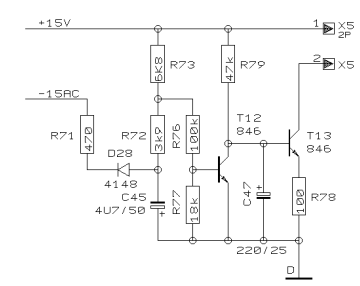
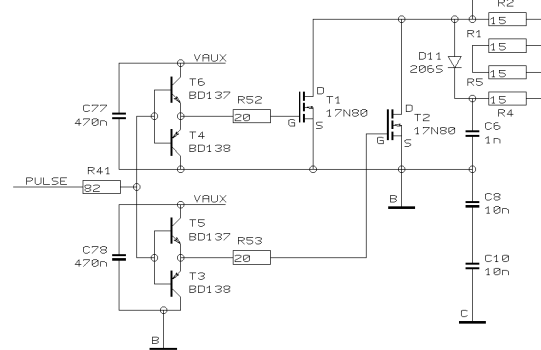
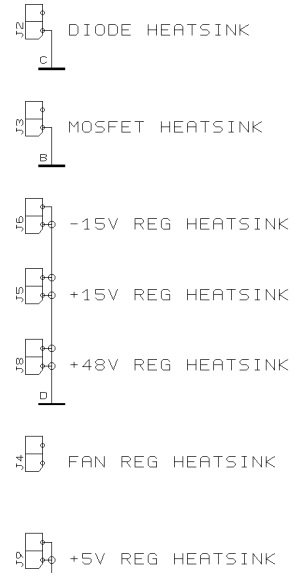
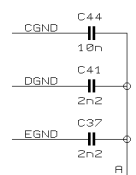
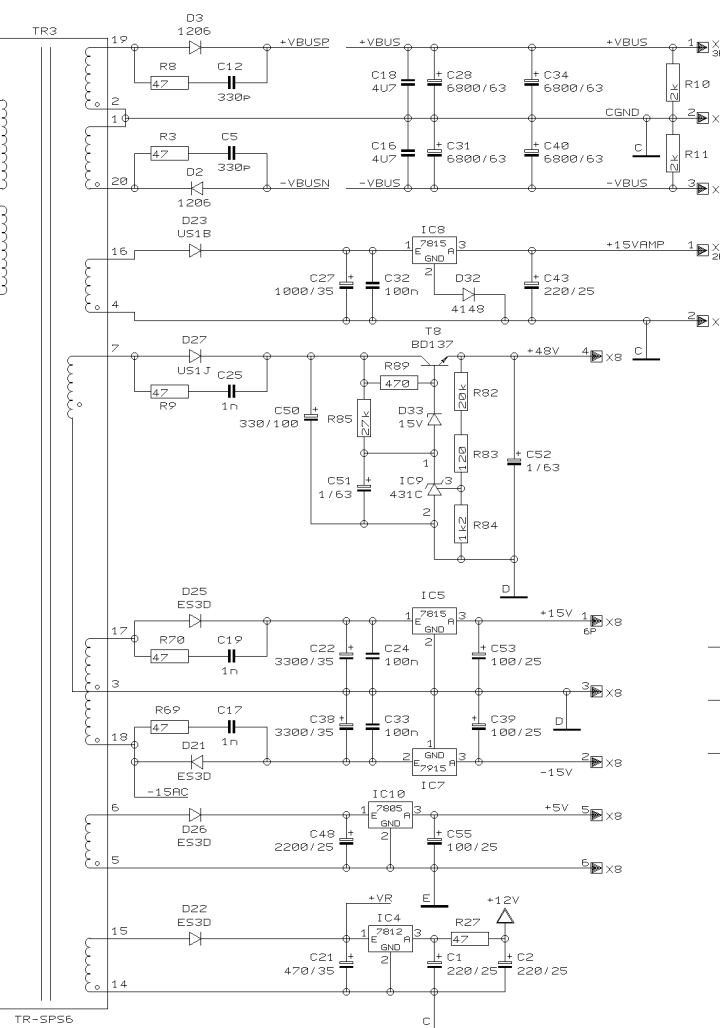
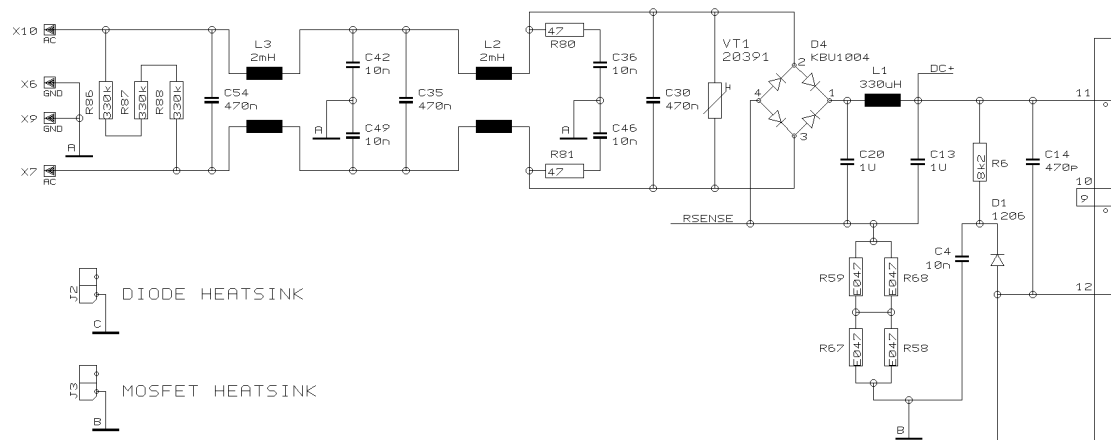


POWER MIXER PMX1000

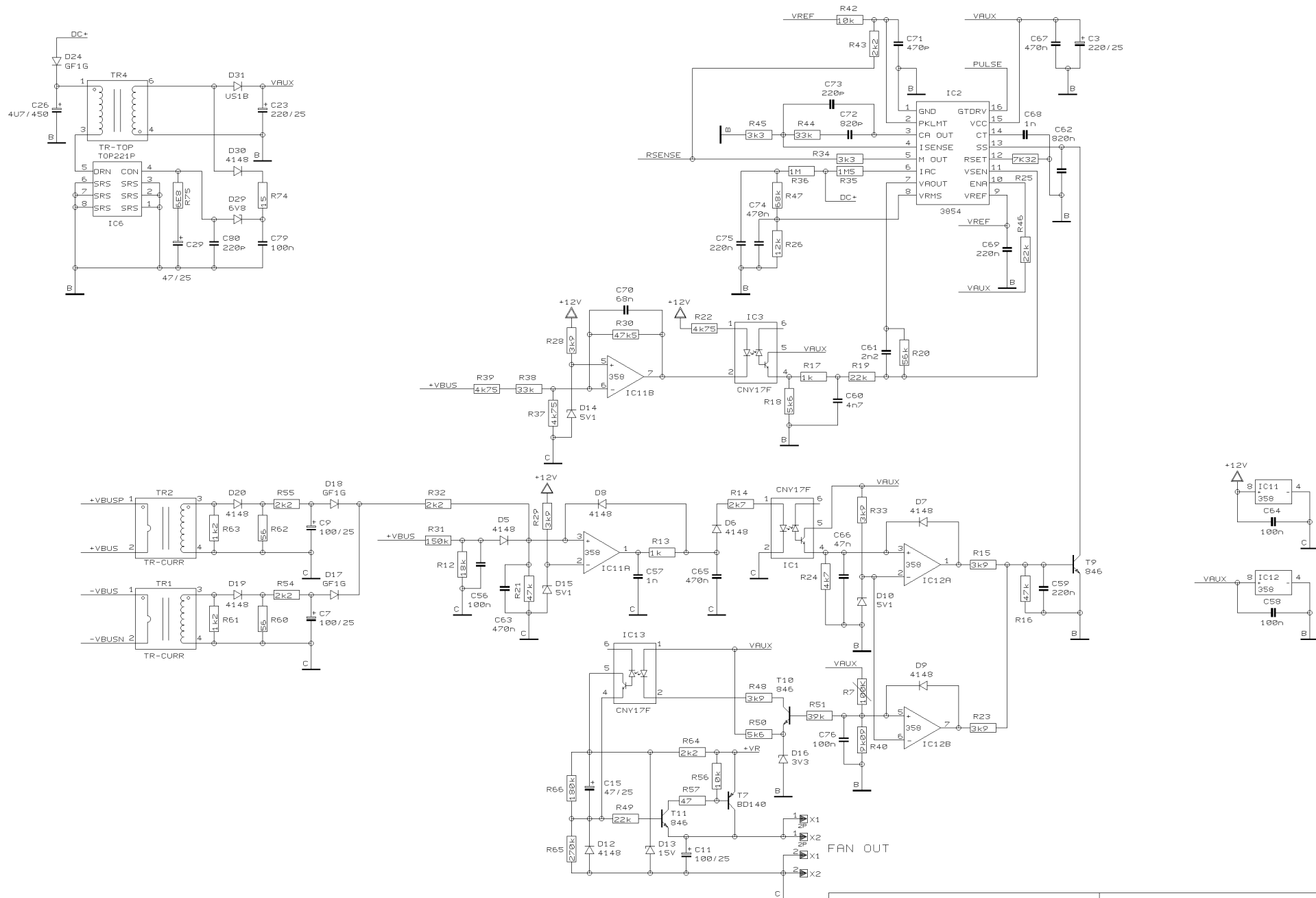


REVISIONS B (19/12/03)

DRAWN SASA CHECKED DATE 12.07. 4 14:28



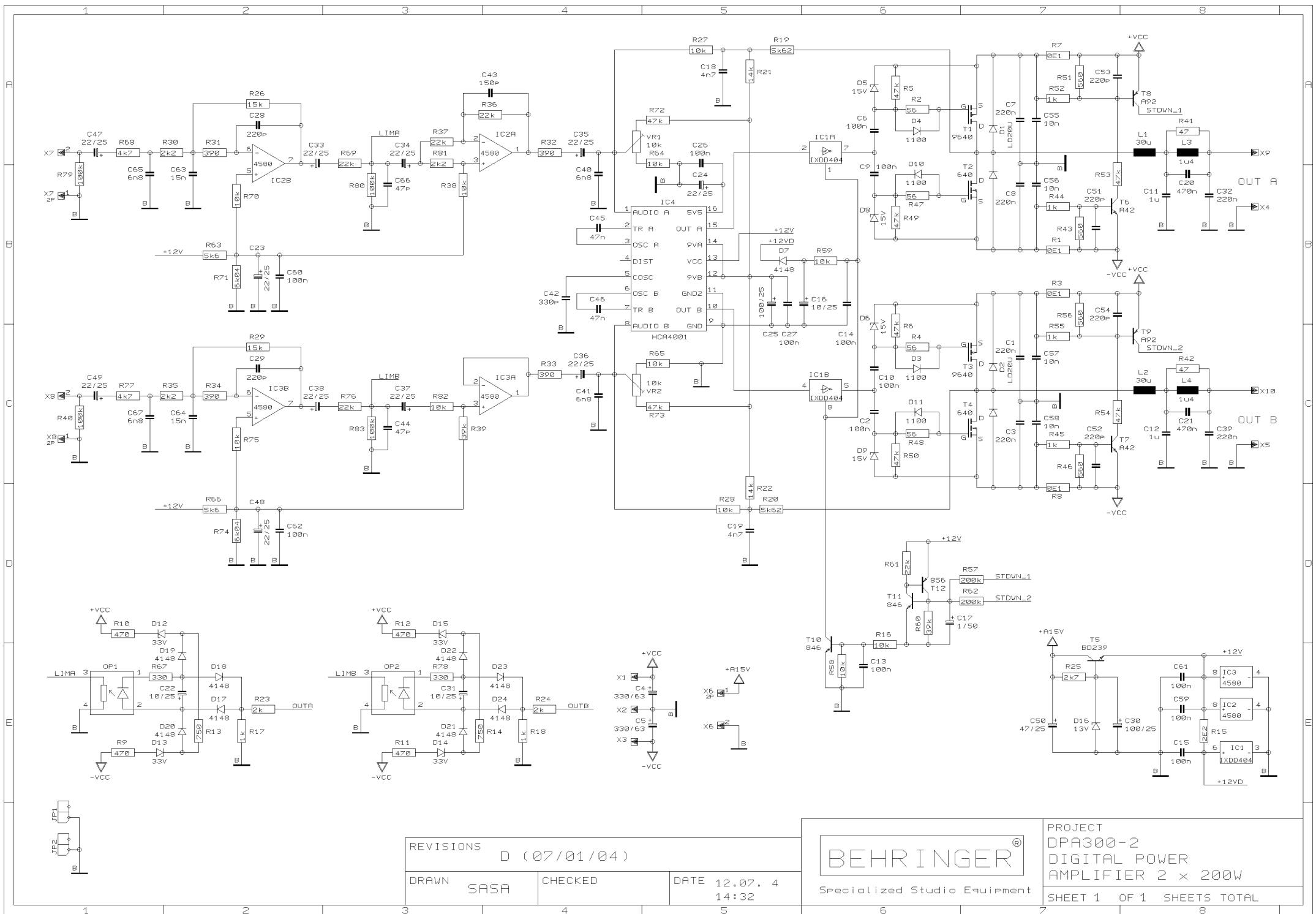
PROJECT SPS400 POWER SUPPLY 400W SCHEMATICS SHEET 1 OF 2 SHEETS TOTAL



REVISIONS	B	
DRAWN	SASA	CHECKED
DATE	12.07. 4	14:28



PROJECT
SPS400
POWER SUPPLY 400W
SCHEMATICS
SHEET 2 OF 2 SHEETS TOTAL



REVISIONS
D (07/01/04)

DRAWN
SASA

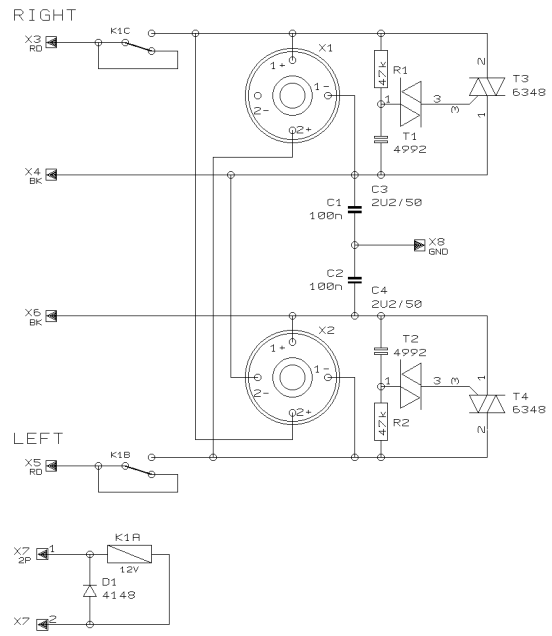
CHECKED

DATE 12.07. 4
14:32

BEHRINGER[®]
Specialized Studio Equipment

PROJECT
DPA300-2
DIGITAL POWER
AMPLIFIER 2 x 200W

SHEET 1 OF 1 SHEETS TOTAL



REVISIONS C (07/04/04)

DRAWN SASA

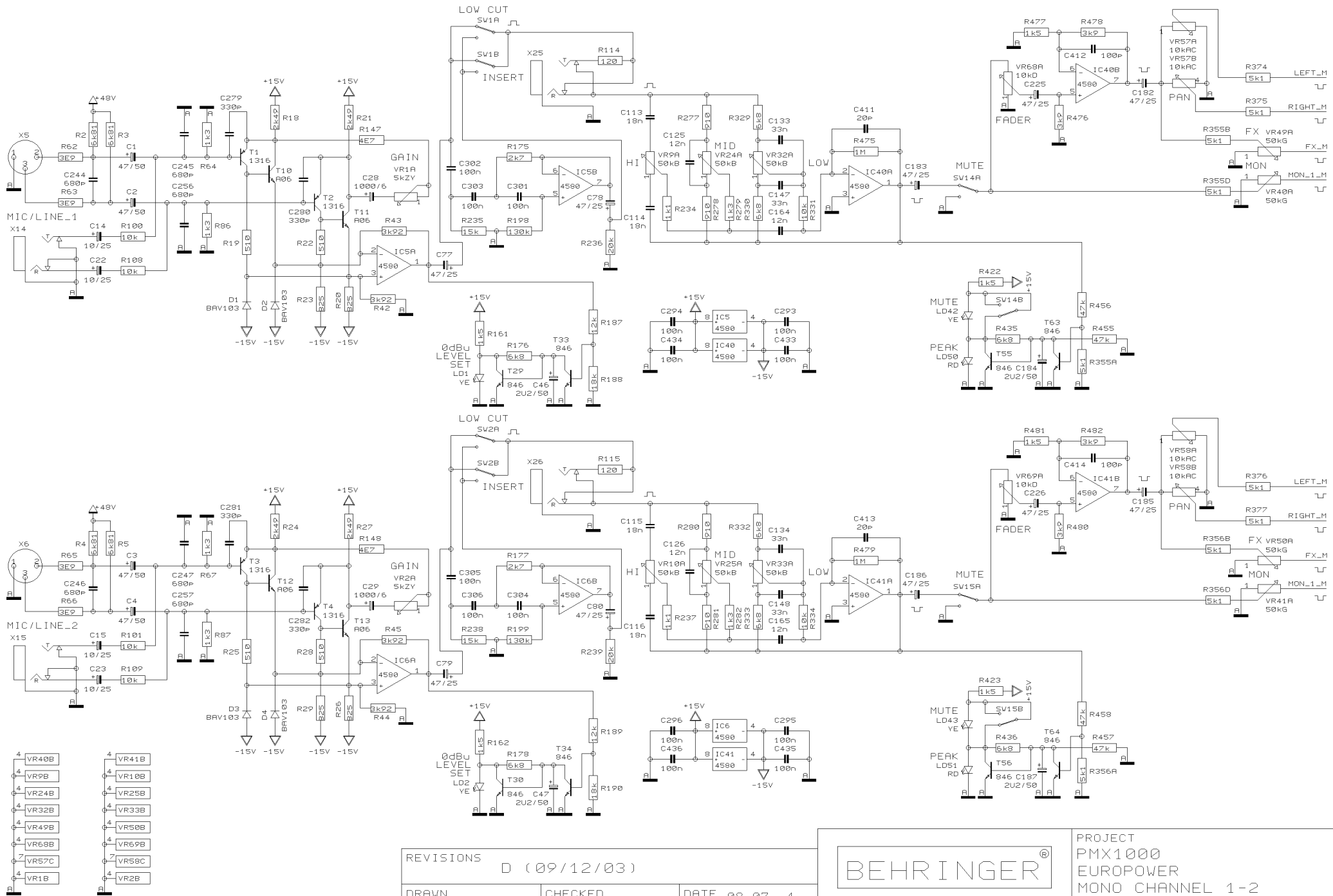
CHECKED

DATE 08.07. 4
12:18



PROJECT
OUTPUT
EUROPOWER PMX1000
OUTPUT BOARD

SHEET 1 OF 1 SHEETS TOTAL

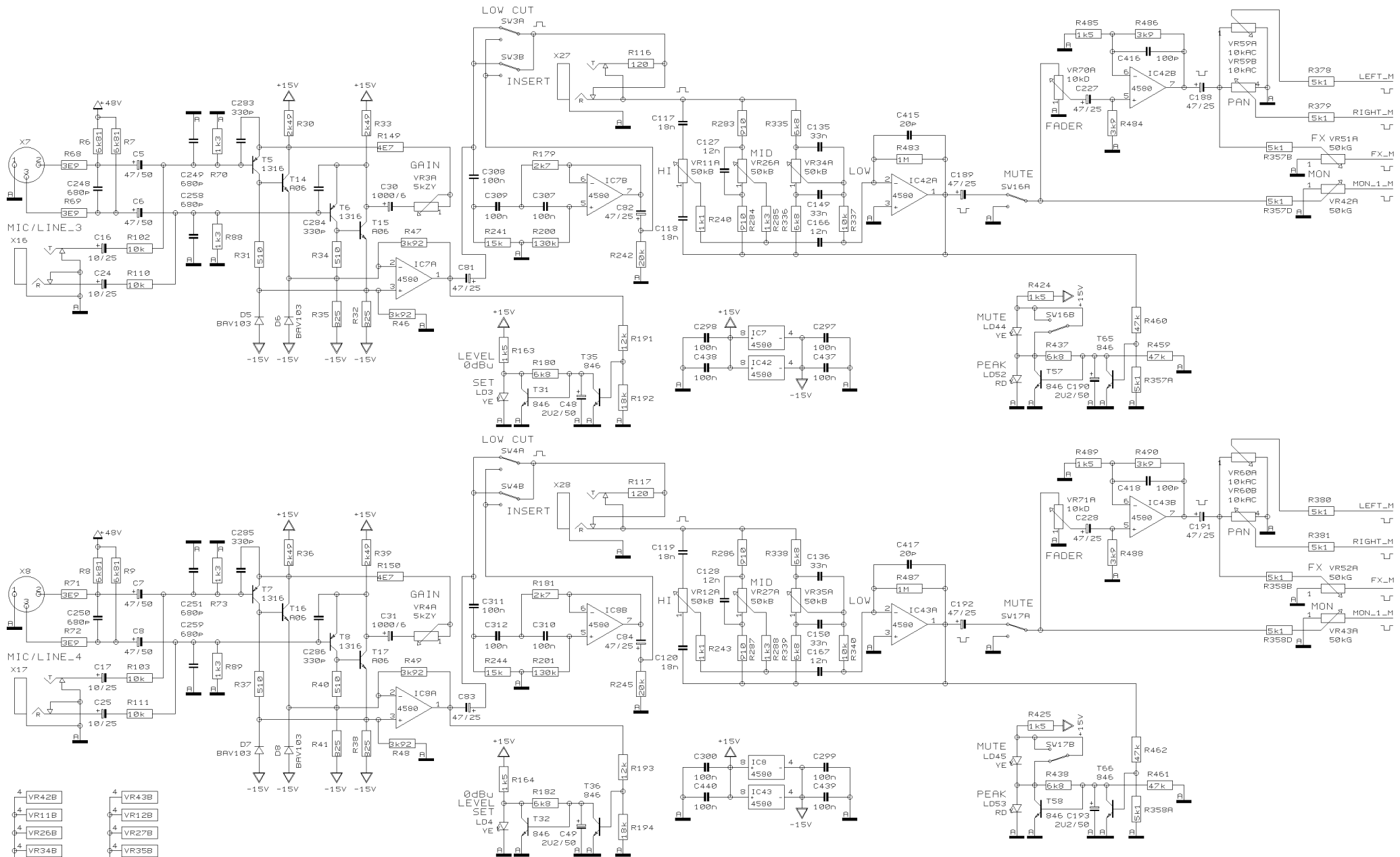


REVISIONS D (09/12/03)

DRAWN SA CHECKED DATE 08.07. 4 12:25



PROJECT PMX1000 EUROPOWER MONO CHANNEL 1-2 SHEET 1 OF 8 SHEETS TOTAL



REVISIONS

D

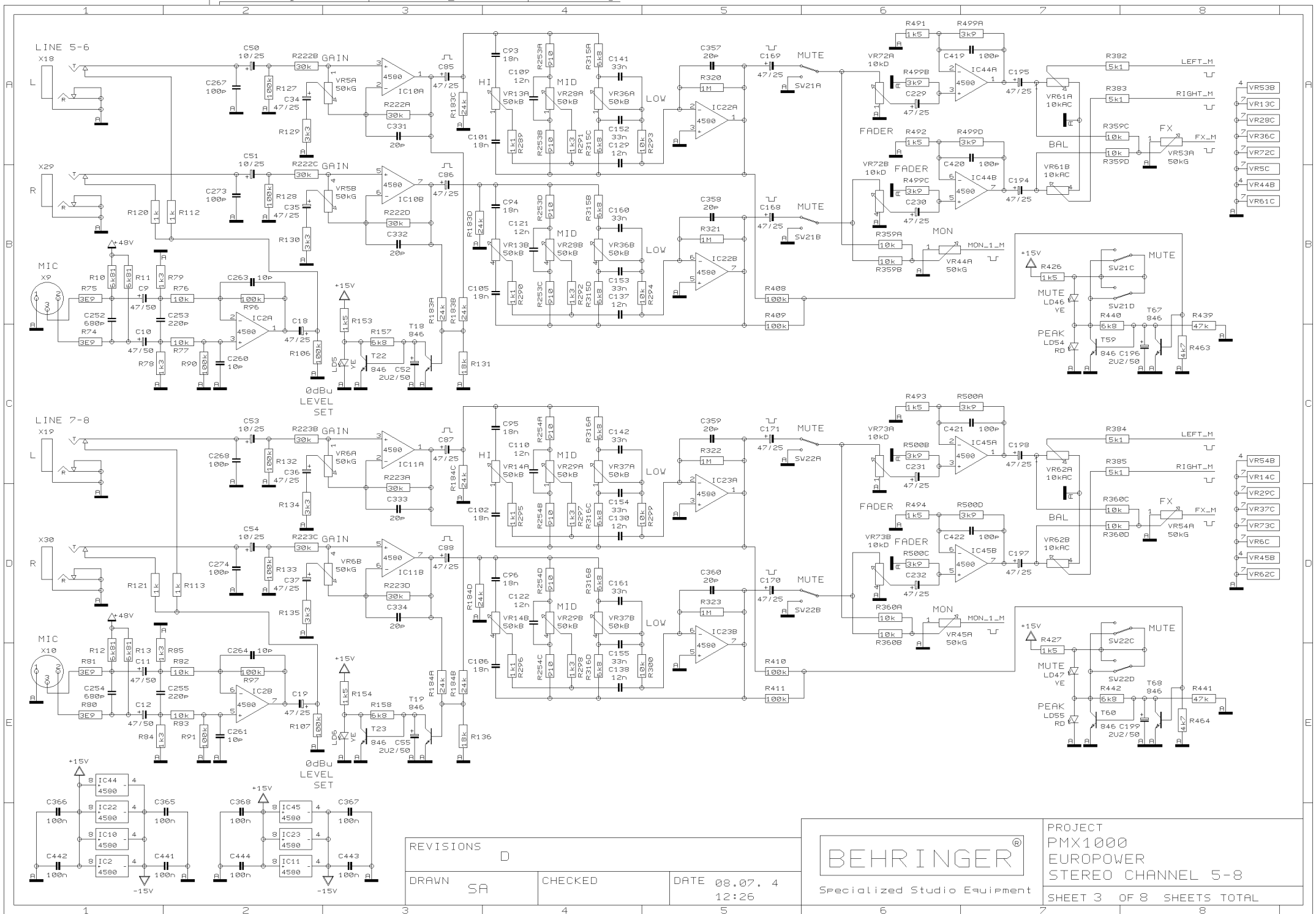
DRAWN SA

CHECKED

DATE 08.07.4
12:25



PROJECT
PMX1000
EUROPOWER
MONO CHANNEL 3-4
SHEET 2 OF 8 SHEETS TOTAL



REVISIONS D

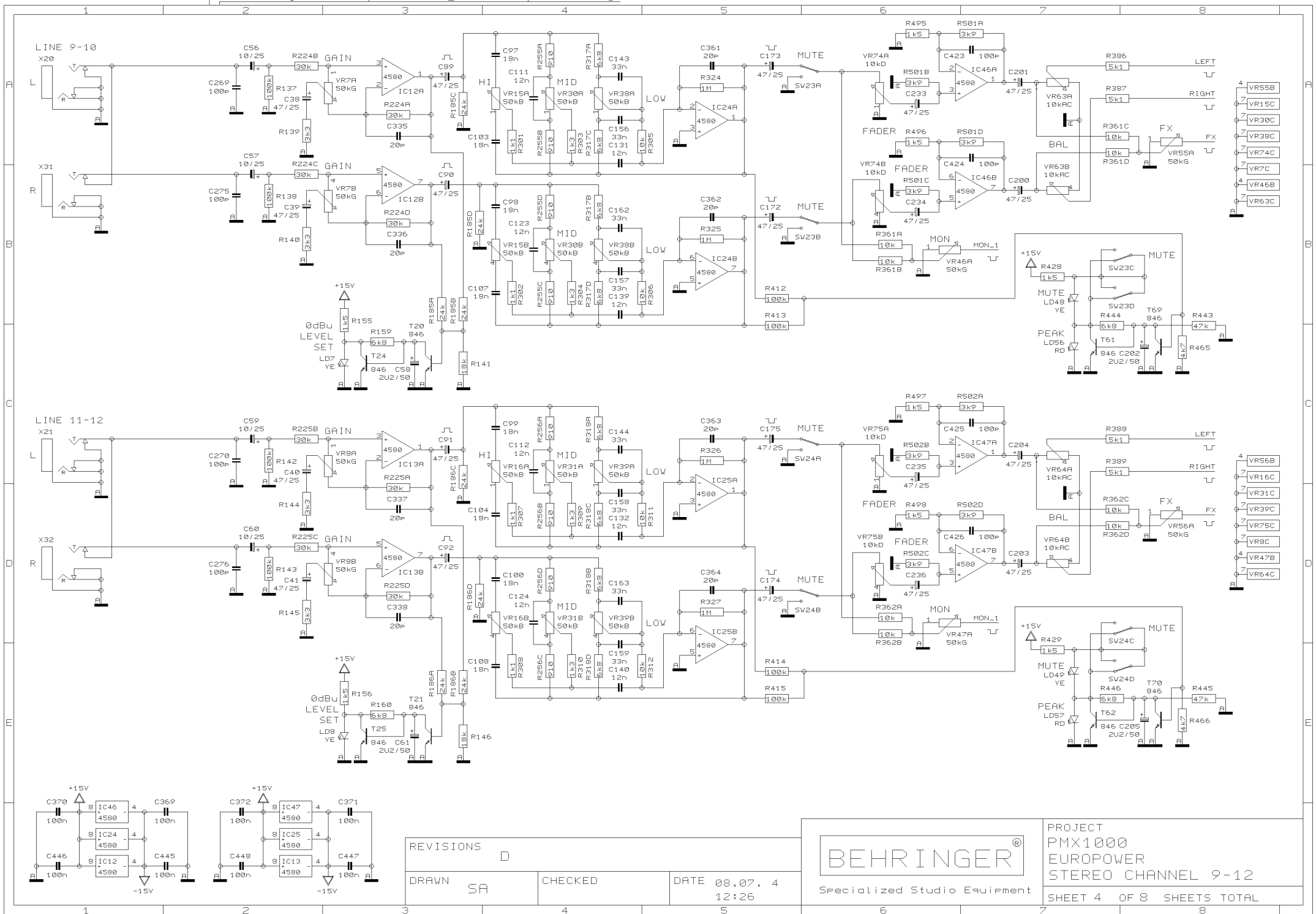
DRAWN SA

CHECKED

DATE 08.07.4
12:26



PROJECT
PMX1000
EUROPOWER
STEREO CHANNEL 5-8
SHEET 3 OF 8 SHEETS TOTAL



REVISIONS
D

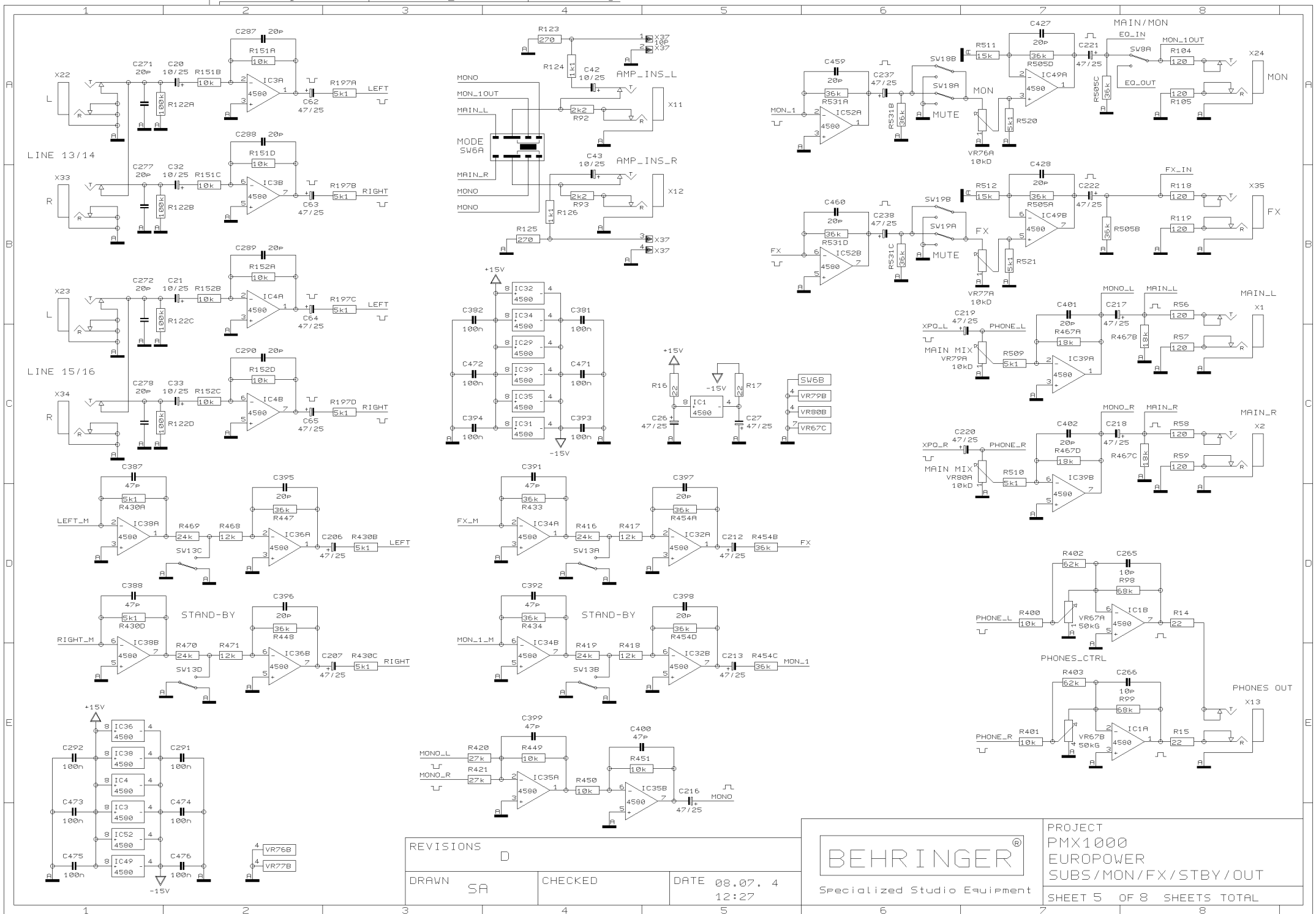
DRAWN SA

CHECKED

DATE 08.07.4
12:26



PROJECT
PMX1000
EUROPOWER
STEREO CHANNEL 9-12
SHEET 4 OF 8 SHEETS TOTAL

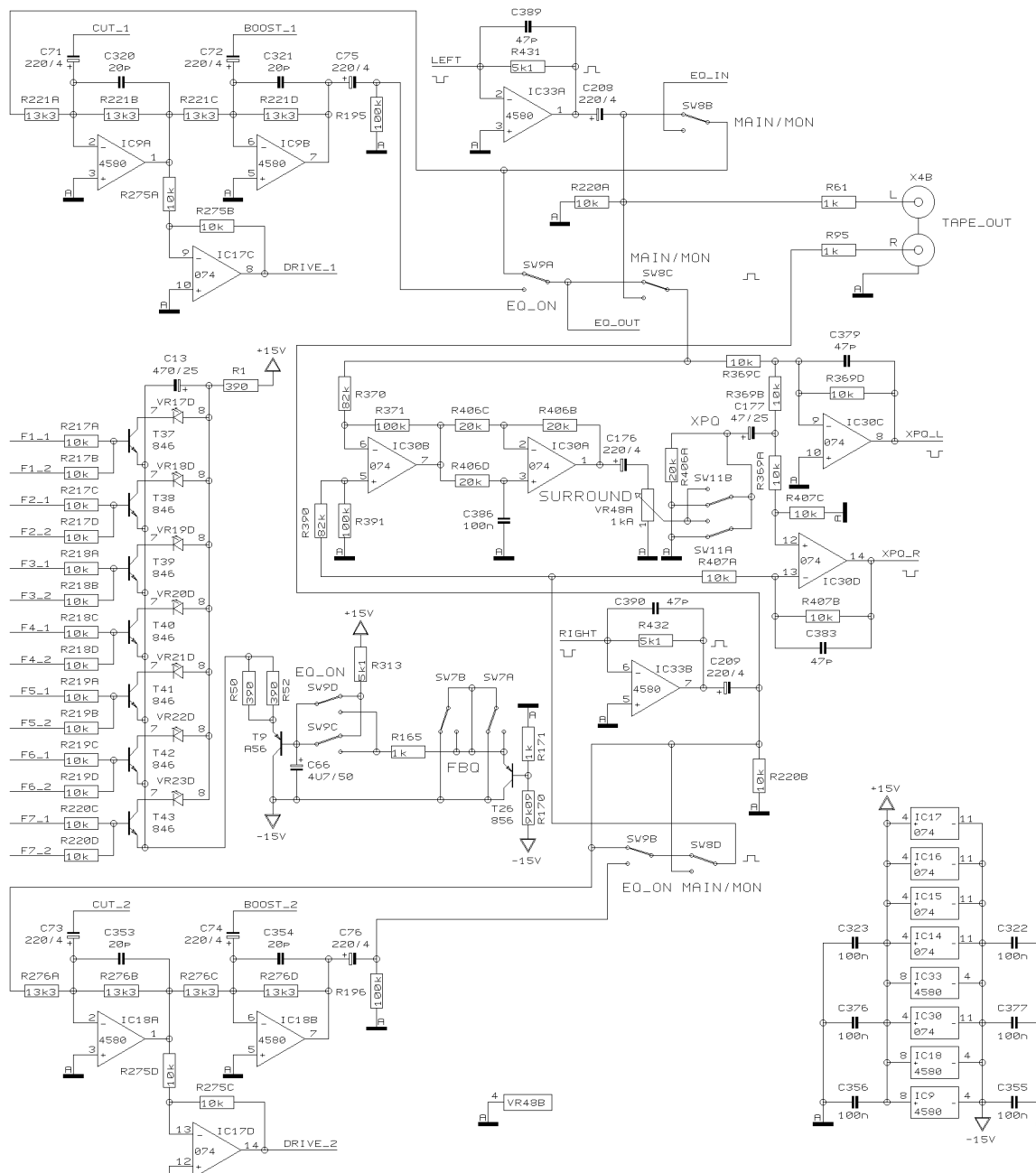
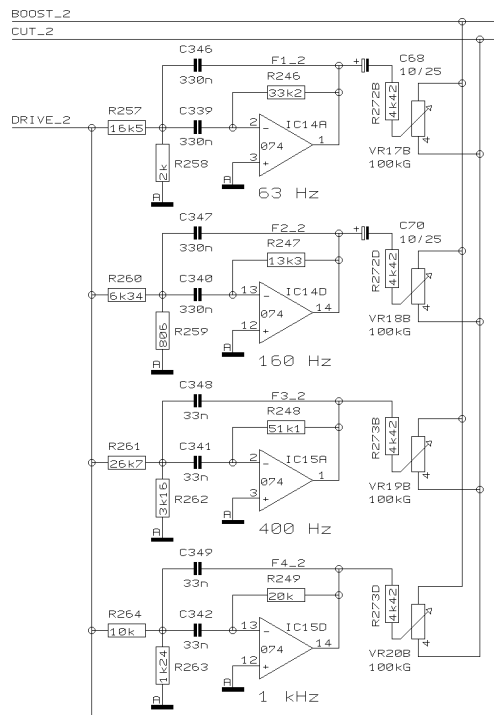
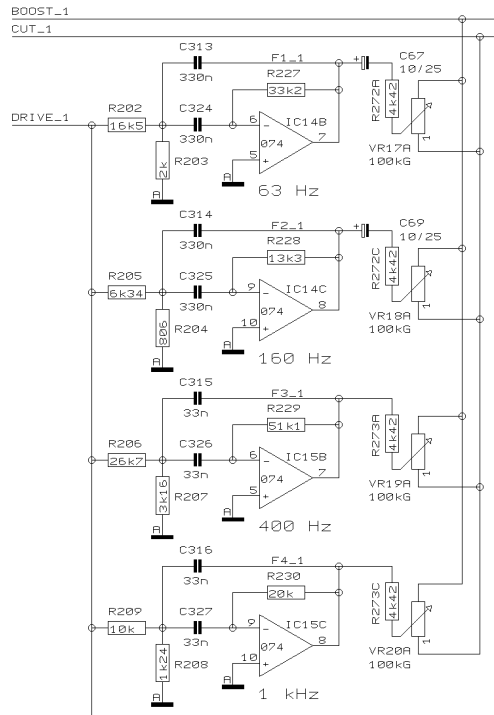


REVISIONS	
D	
DRAWN	SA
CHECKED	

DATE 08.07. 4
12:27



PROJECT
PMX1000
EUROPOWER
SUBS/MONO/FX/STBY/OUT
SHEET 5 OF 8 SHEETS TOTAL



REVISIONS D

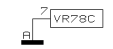
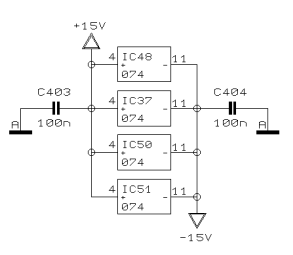
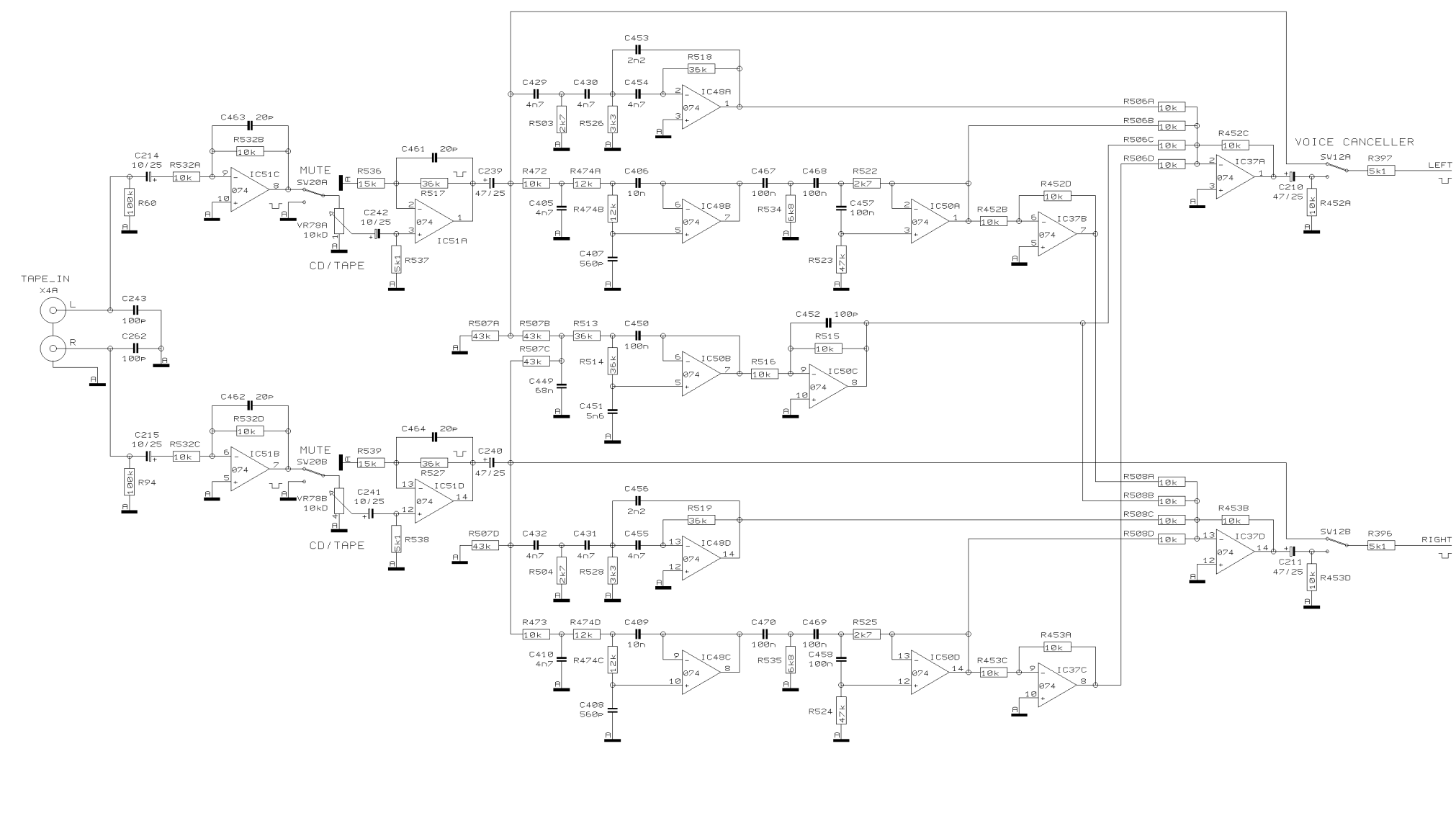
DRAWN SA

CHECKED

DATE 08.07. 4
12:27

BEHRINGER
Specialized Studio Equipment

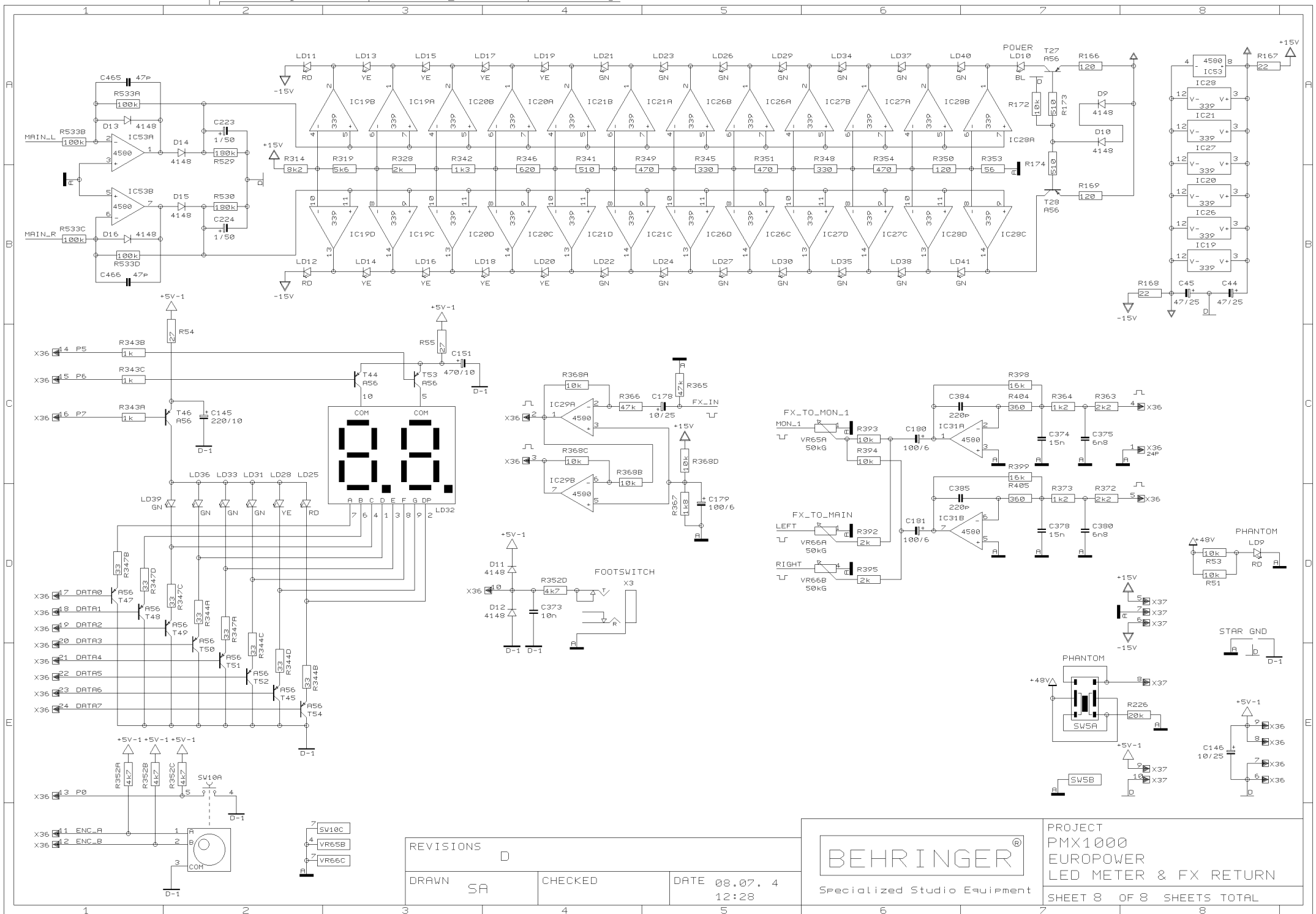
PROJECT
PMX1000
EUROPOWER
GRAPHIC EQ / FBO / XPO
SHEET 6 OF 8 SHEETS TOTAL



REVISIONS		D	
DRAWN	SA	CHECKED	
DATE 08.07. 4		12:28	



PROJECT
PMX1000
EUROPOWER
VOICE CANCELLER
SHEET 7 OF 8 SHEETS TOTAL



REVISIONS

D

DRAWN SA

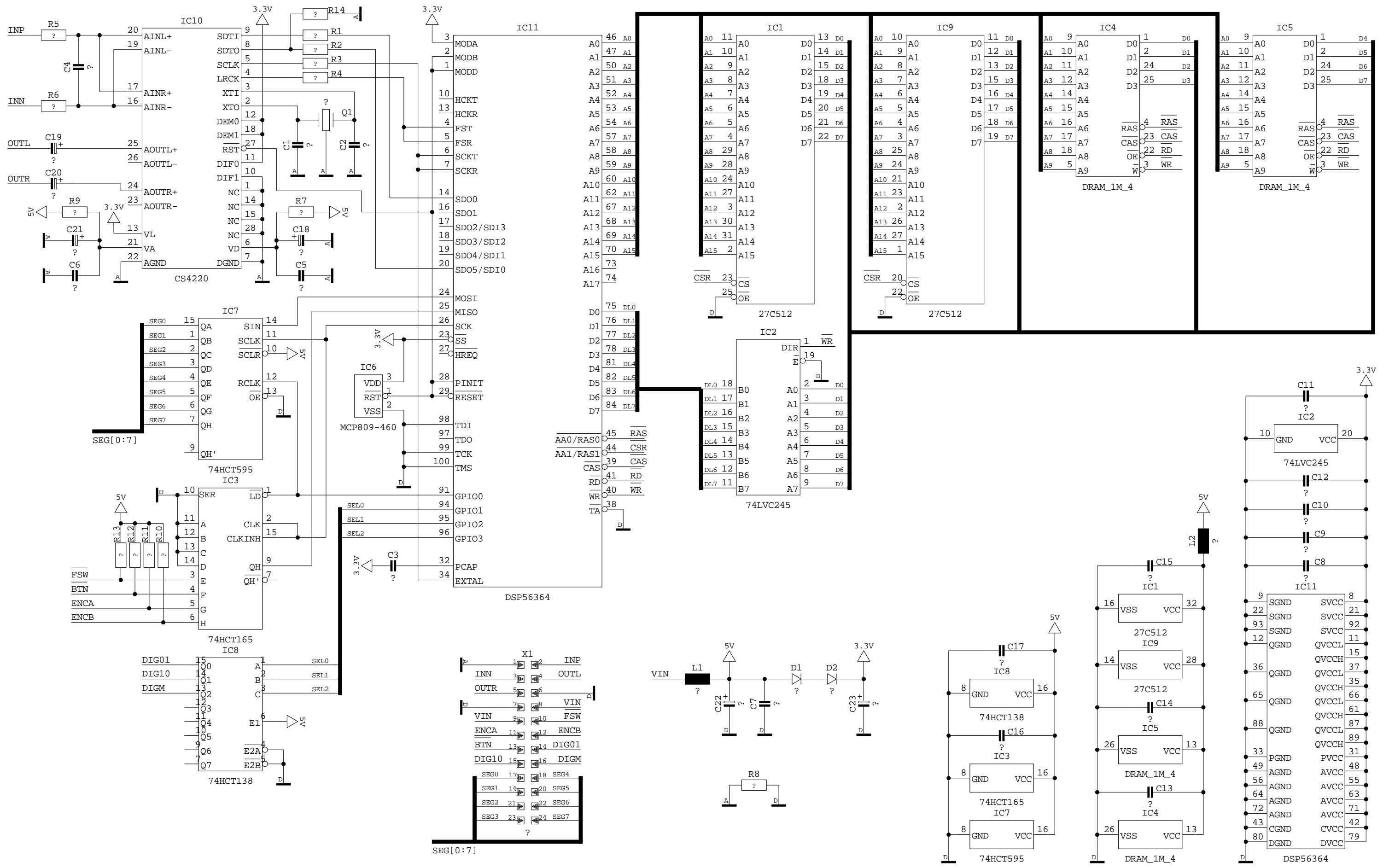
CHECKED

DATE 08.07. 4
12:28



Specialized Studio Equipment

PROJECT
PMX1000
EUROPOWER
LED METER & FX RETURN
SHEET 8 OF 8 SHEETS TOTAL



REVISIONS		
A (March, 02. 2004)		
DRAWN	CHECKED	DATE
TZ		3-3-2004_16:49


 Specialized Studio Equipment

PROJECT	DPM5M	
SHEET	1 OF	1 SHEETS TOTAL