

REVISIONS
A (09/12/05)

DRAWN TD

CHECKED

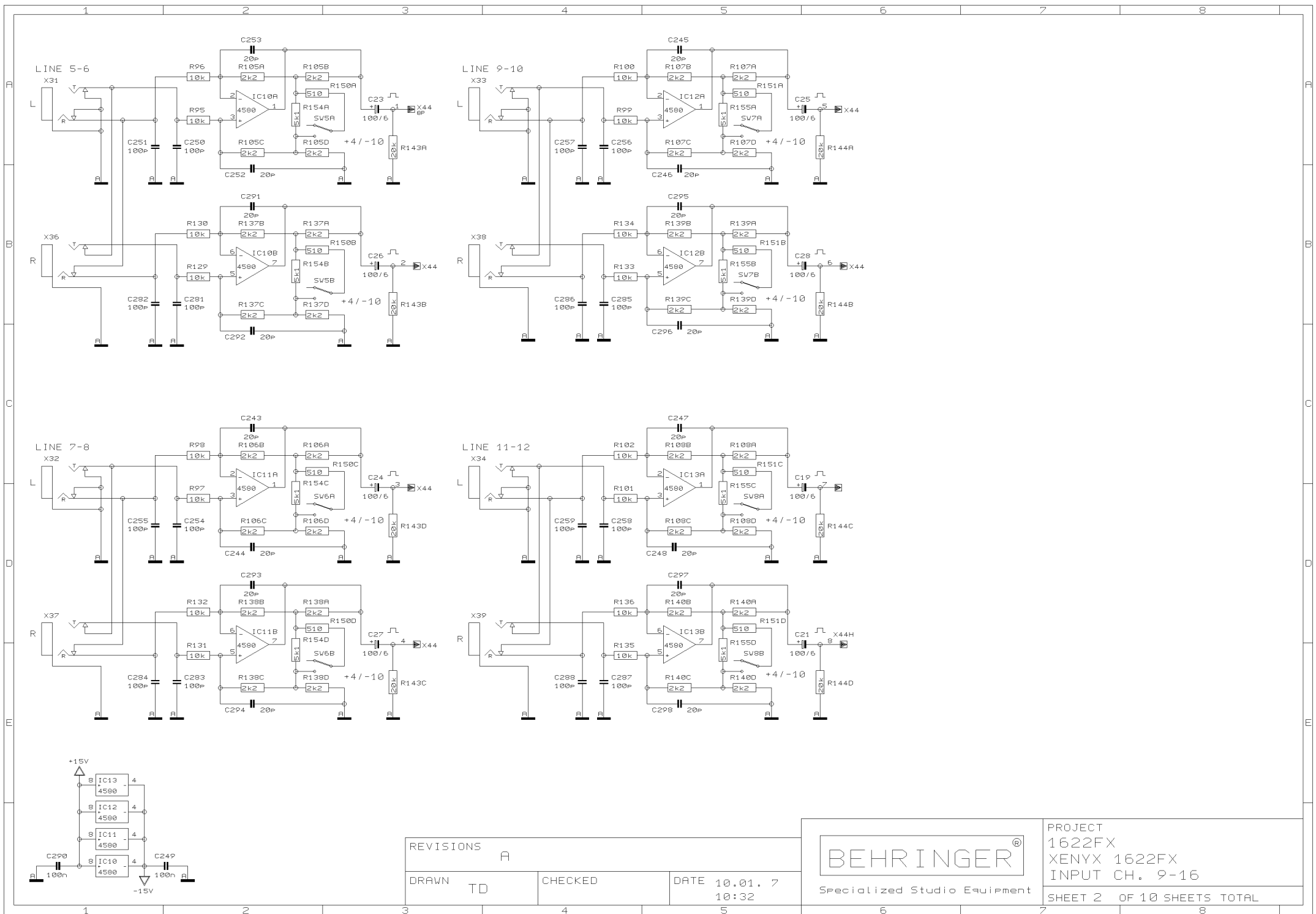
DATE 10.01.7
10:32

BEHRINGER®

Specialized Studio Equipment

PROJECT
1622FX
XENYX 1622FX
MIC INPUT CH. 1-4

SHEET 1 OF 10 SHEETS TOTAL

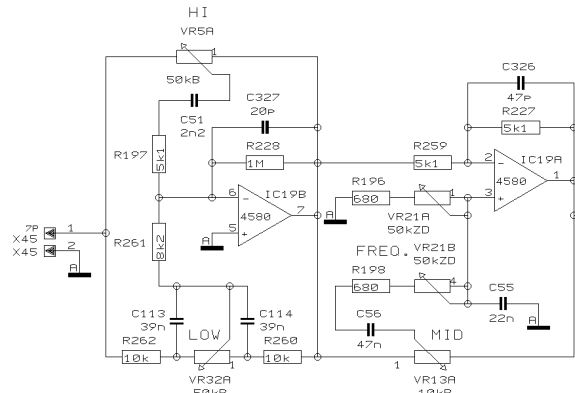


REVISIONS		A	
DRAWN	TD	CHECKED	
DATE 10.01.7		10:32	



PROJECT
1622FX
XENYX 1622FX
INPUT CH. 9-16

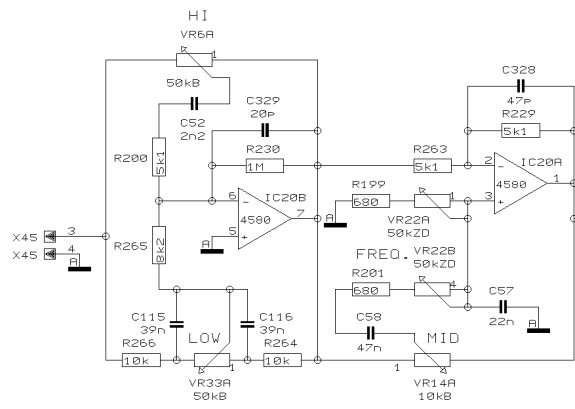
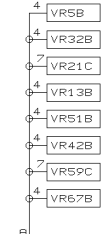
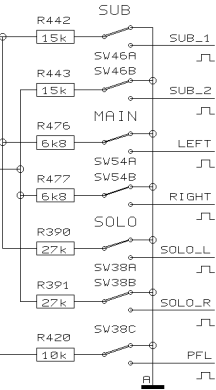
SHEET 2 OF 10 SHEETS TOTAL



FADER

PRE

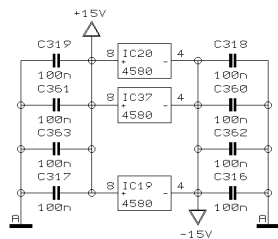
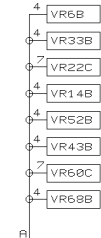
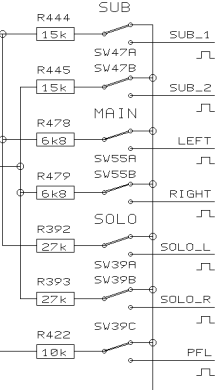
PAN



FADER

PRE

PAN



REVISIONS

A

DRAWN

TD

CHECKED

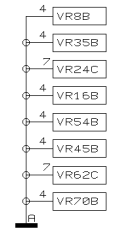
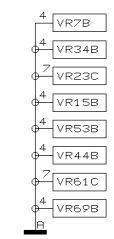
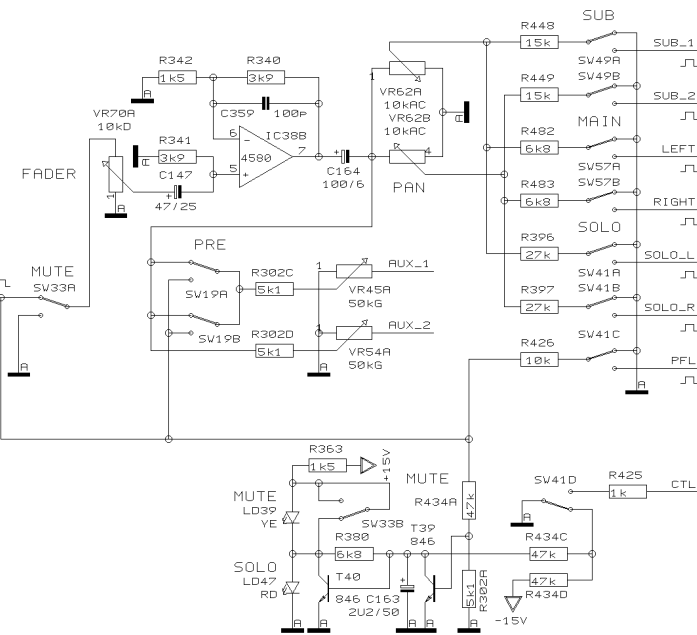
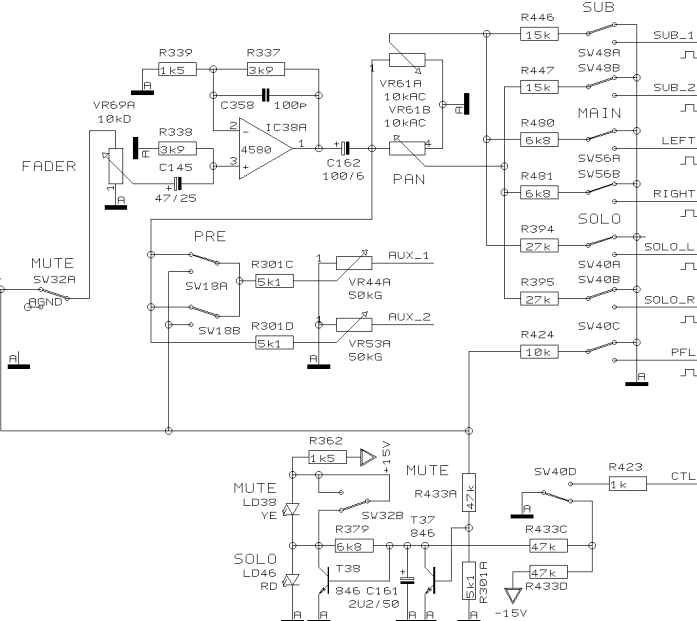
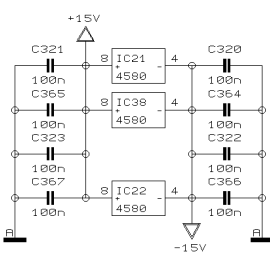
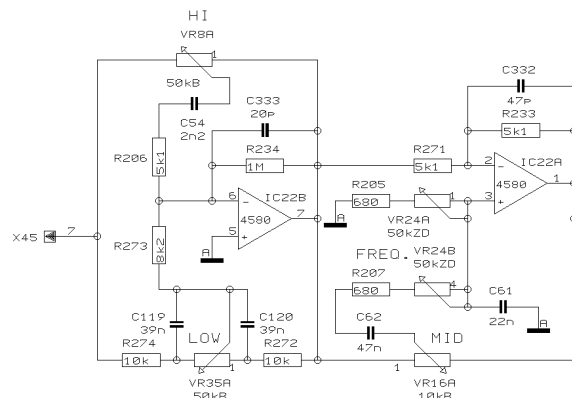
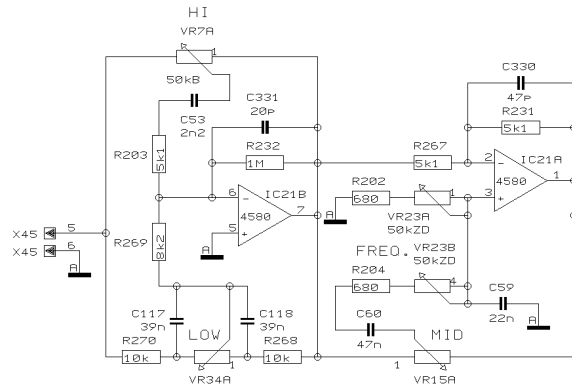
DATE 10.01.7
10:32

BEHRINGER®

Specialized Studio Equipment

PROJECT
1622FX
XENYX 1622FX
CHANNEL 1 & 2

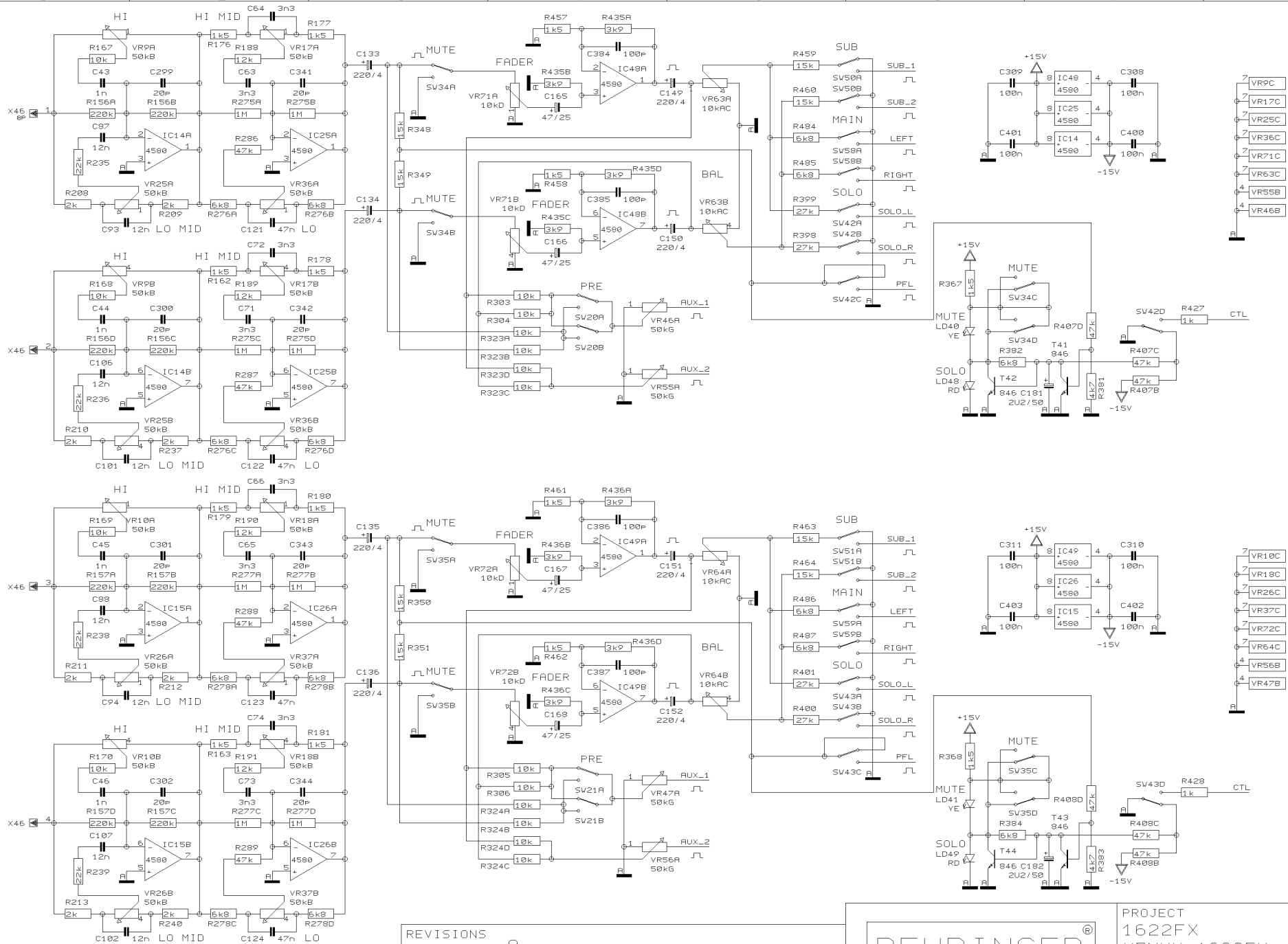
SHEET 3 OF 10 SHEETS TOTAL



REVISIONS		A	
DRAWN	TD	CHECKED	
DATE		10.01.7	
		10:32	



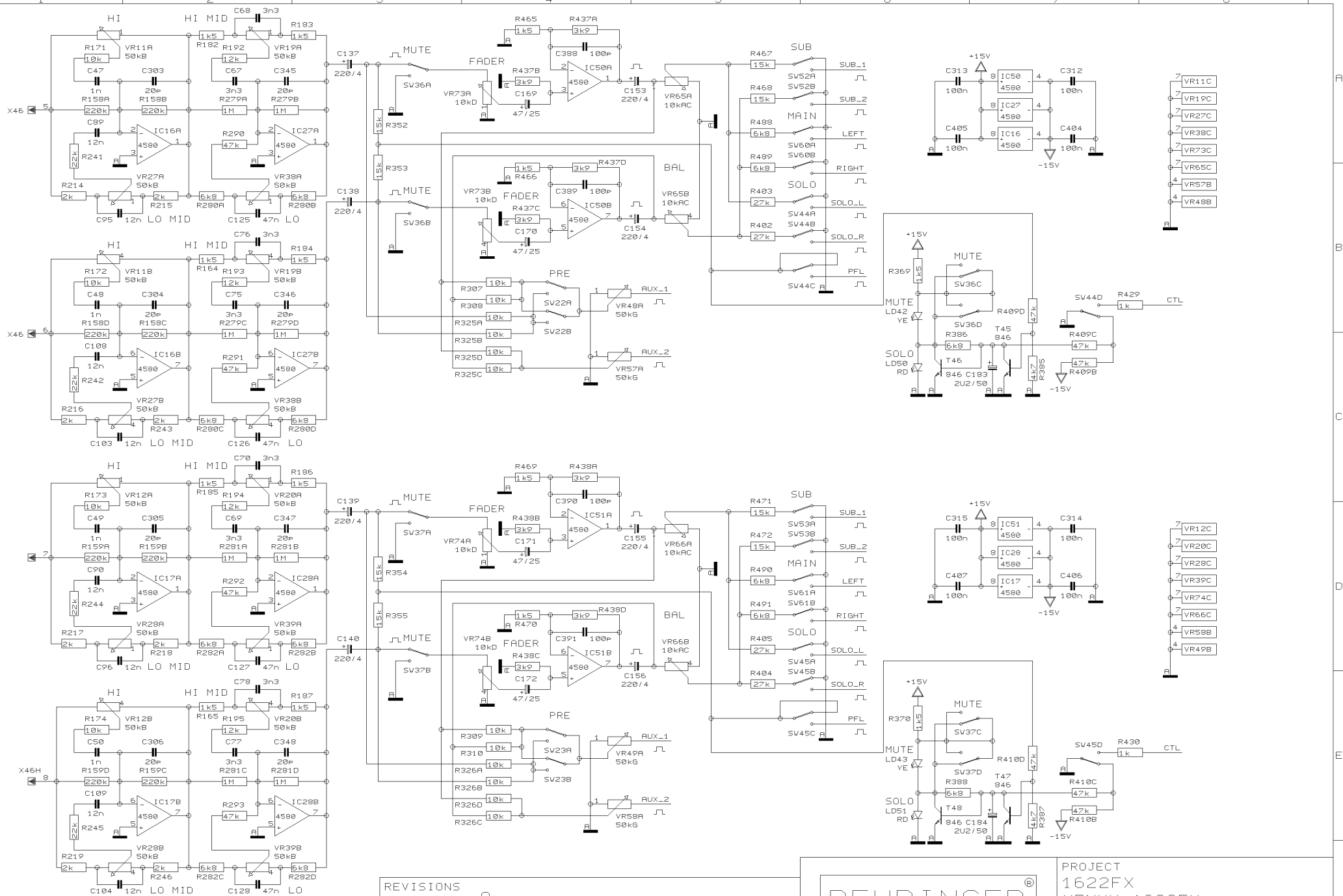
PROJECT
1622FX
XENYX 1622FX
CHANNEL 3 & 4
SHEET 4 OF 10 SHEETS TOTAL



REVISIONS		
A		
DRAWN	TD	CHECKED
DATE		10.01.7
		10:32



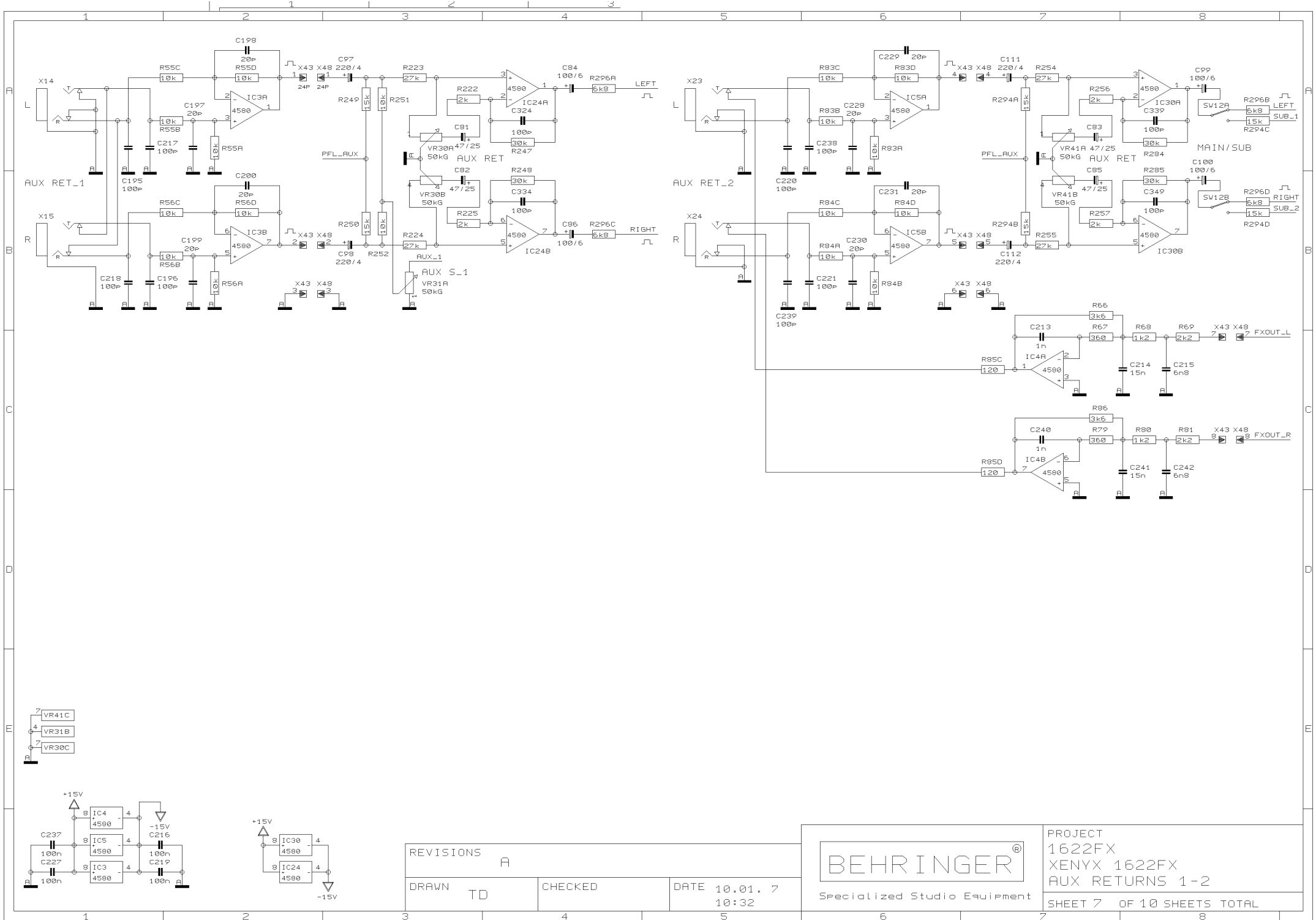
PROJECT
1622FX
XENYX 1622FX
STEREO CHANNEL 5-8
SHEET 5 OF 10 SHEETS TOTAL



REVISIONS		
A		
DRAWN	TD	CHECKED
DATE		10.01.7
		10:32



PROJECT
1622FX
XENYX 1622FX
STEREO CHANNEL 9-12
SHEET 6 OF 10 SHEETS TOTAL



REVISIONS
A

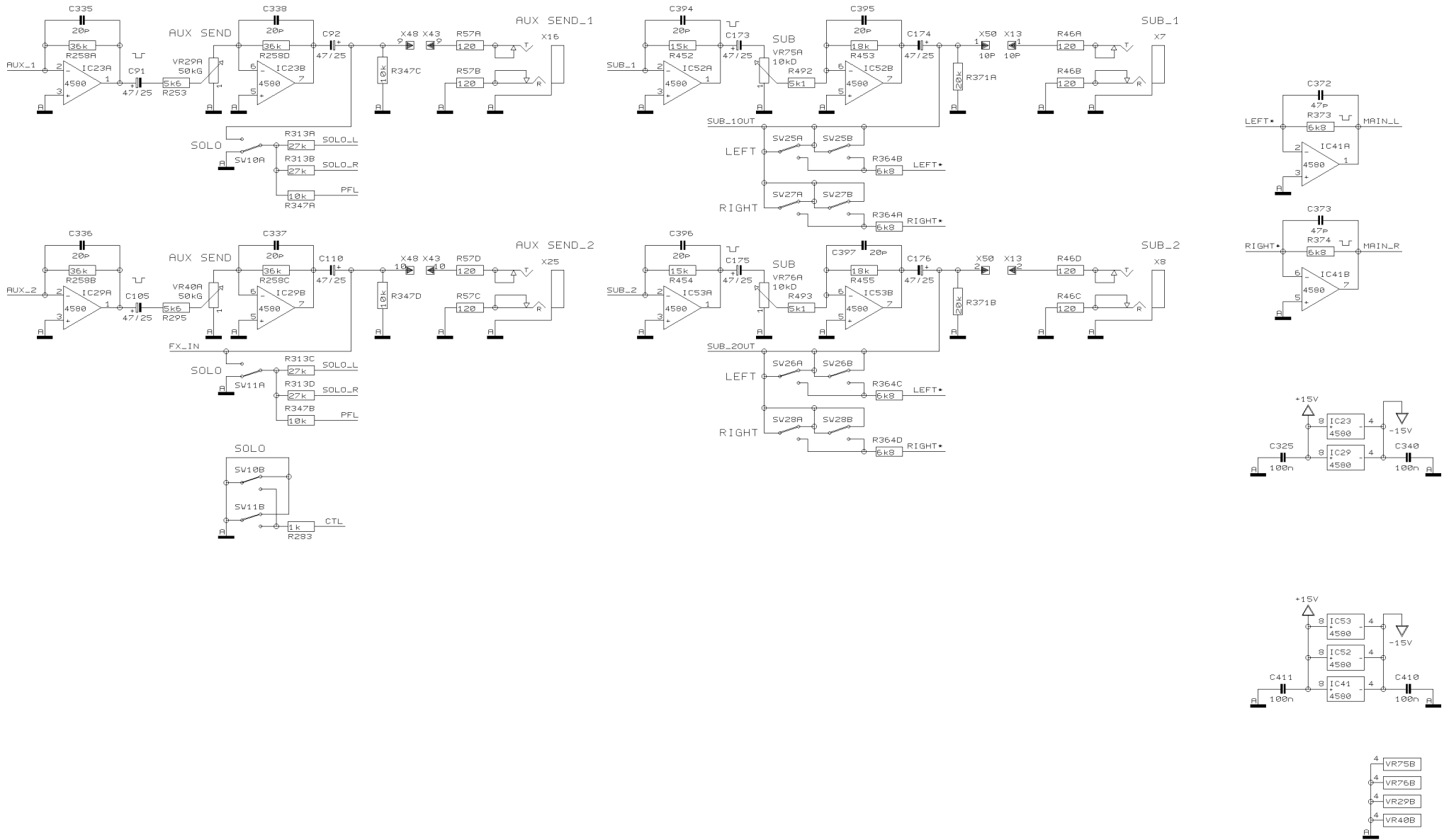
DRAWN TD

CHECKED

DATE 10.01.7
10:32



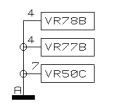
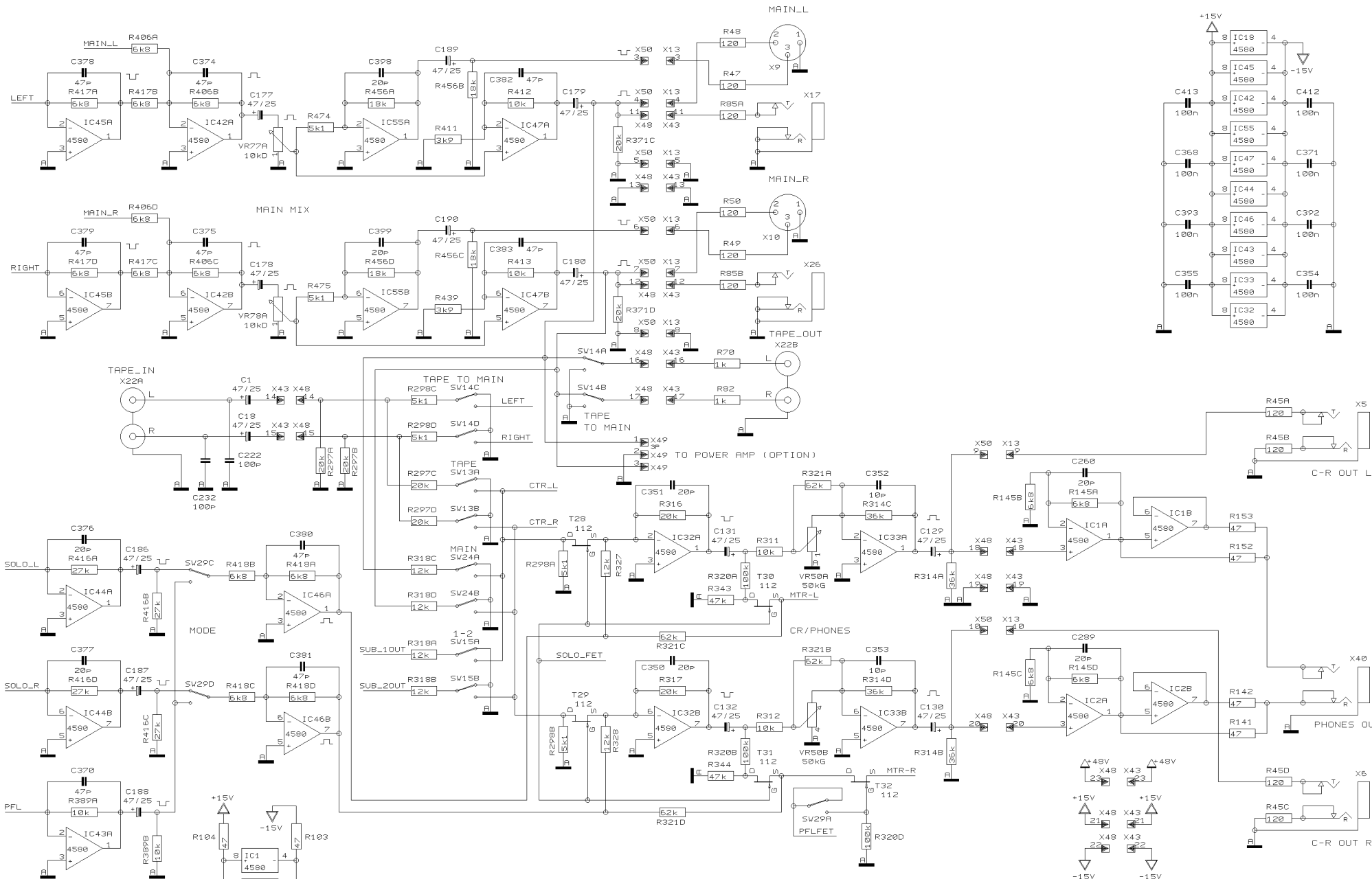
PROJECT
1622FX
XENYX 1622FX
AUX RETURNS 1-2
SHEET 7 OF 10 SHEETS TOTAL



REVISIONS	A		
DRAWN	TD	CHECKED	DATE 10.01.7 10:32



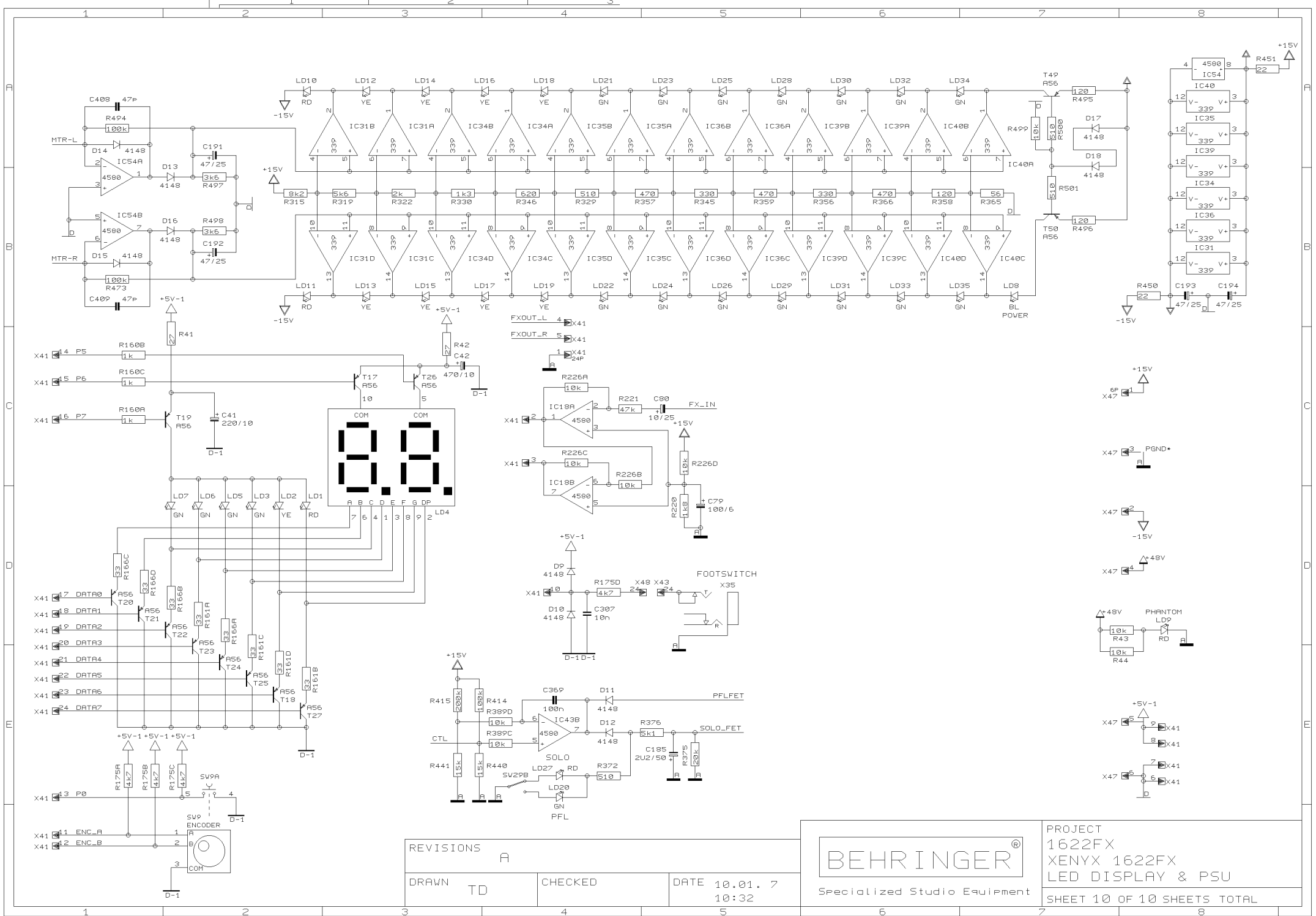
PROJECT
1622FX
XENYX 1622FX
AUX SENDS/SUB OUTS 1-2
SHEET 8 OF 10 SHEETS TOTAL



REVISIONS	A		
DRAWN	TD	CHECKED	DATE 10.01.7 10:32

BEHRINGER®
Specialized Studio Equipment

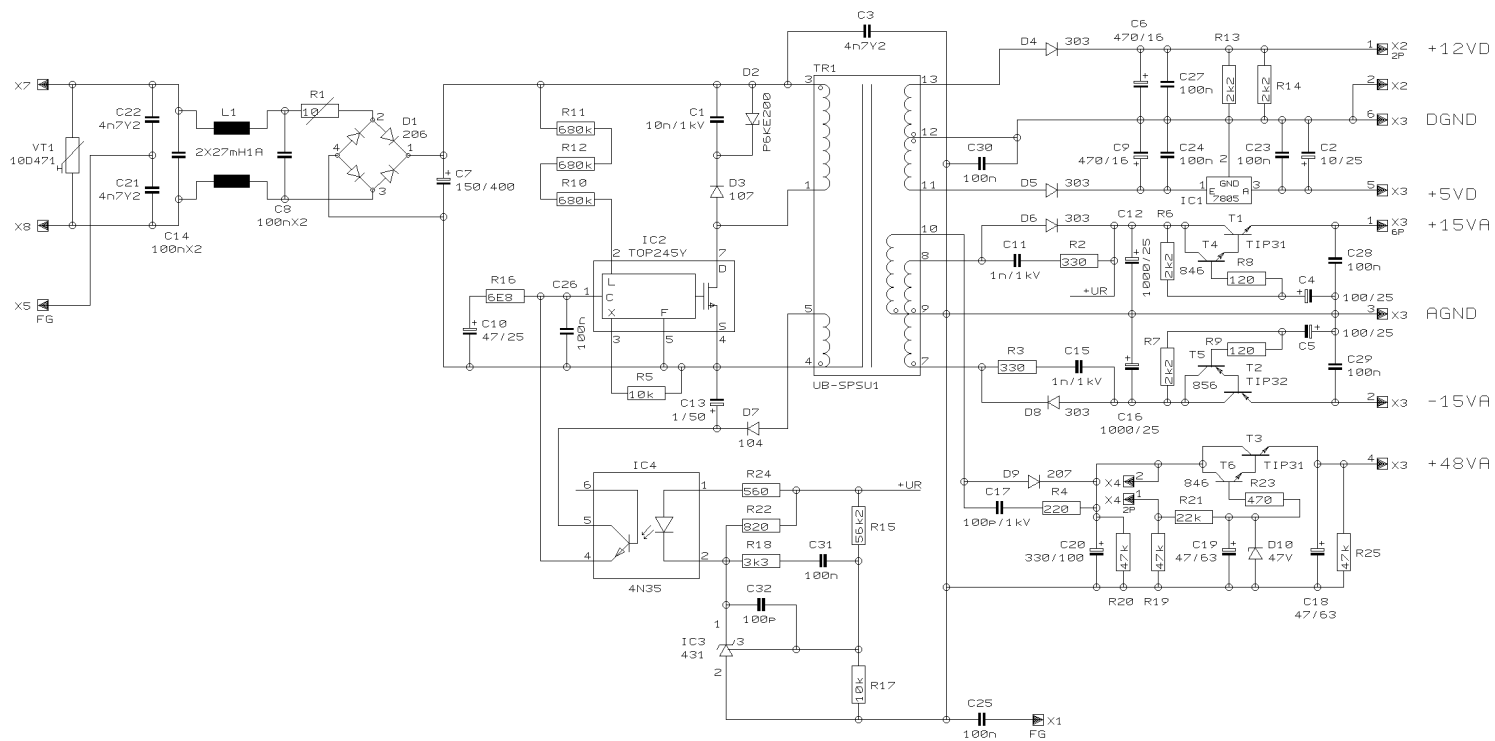
PROJECT 1622FX
XENYX 1622FX
MAIN SECTION
SHEET 9 OF 10 SHEETS TOTAL



REVISIONS		
	A	
DRAWN	TD	CHECKED
DATE 10.01.7		10:32

BEHRINGER®
Specialized Studio Equipment

PROJECT
1622FX
XENYX 1622FX
LED DISPLAY & PSU
SHEET 10 OF 10 SHEETS TOTAL



REVISIONS F (07/09/04)

DRAWN TZ

CHECKED

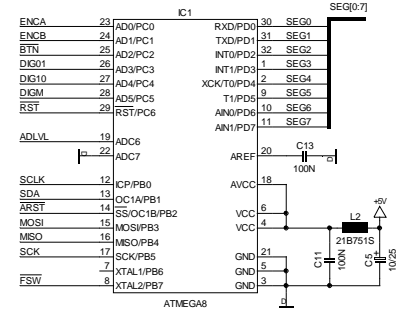
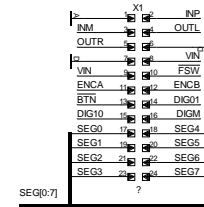
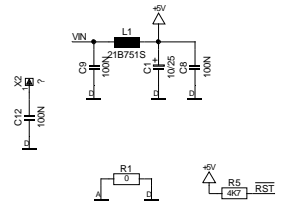
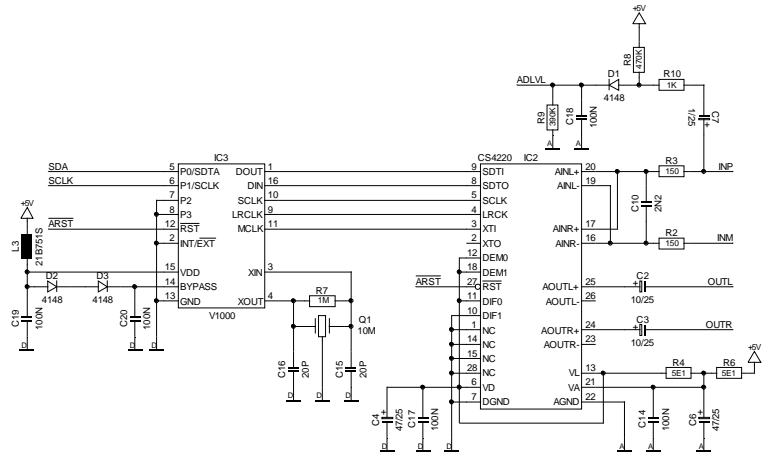
DATE 23.11. 6
14:27

BEHRINGER®

Specialized Studio Equipment

PROJECT
UB-SPSU2
SWITCH MODE PSU
FOR UB MIXER SERIES

SHEET 1 OF 1 SHEETS TOTAL



		DATE	NAME	V1000 BASED FX MODULE REPLACEMENT FOR DPM5M	
		DRWN	14.06.2005	TK	
		CHKD			
		APPR			
B	LIBRARY/REVISION	22.07.2005	TK		SHEET 1 OF 1
A	CREATED	14.06.2005	TK		
REV	CHANGES	DATE	INT	FILE: DPM5V1000	

ALL INFORMATION (INCLUDING DRAWINGS AND DIAGRAMS) CONTAINED IN THIS DOCUMENT IS THE PROPERTY OF BEHRINGER. ADDRESSEES WHOM THE INFORMATION IS CONFIDED TO SHALL MAINTAIN THE INFORMATION IN CONFIDENCE AND SHALL NOT RELEASE IT TO ANY UNAUTHORIZED THIRD PARTIES (EXCEPT UNDER ATTORNEY CLIENT PRIVILEGE OR UNDER APPROPRIATE CONFIDENTIALITY AGREEMENTS). ANY UNAUTHORIZED DISCLOSURE, USE, APPLICATION OR ANY OTHER DEALINGS IN THE INFORMATION SHALL RESULT IN CIVIL AND/OR (WHERE APPLICABLE) CRIMINAL LIABILITIES AND PENALTIES.