

REVISIONS
A (11/12/05)

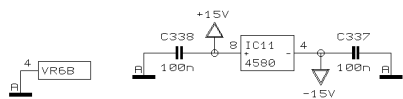
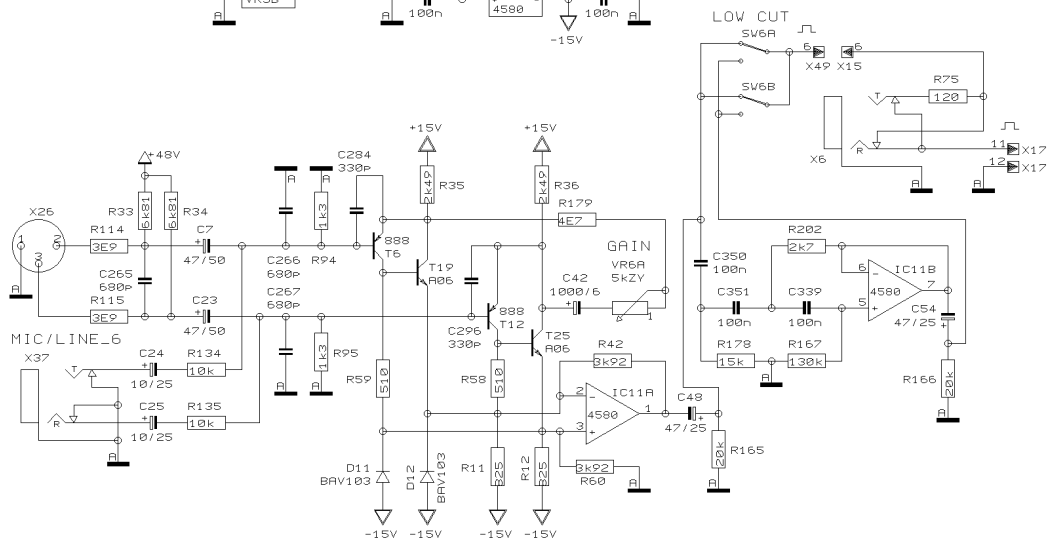
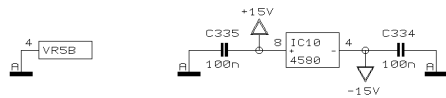
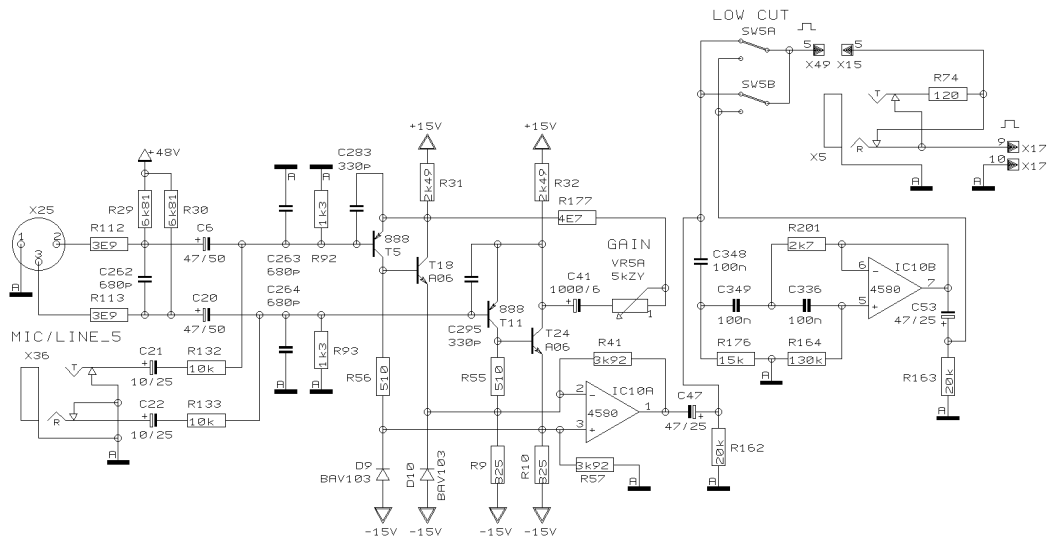
DRAWN TD

CHECKED

DATE 14.07. 6
10:12



PROJECT
1832FX
XENYX 1832FX
MIC INPUT CH. 1-4
SHEET 1 OF 14 SHEETS TOTAL



REVISIONS
A

DRAWN TD

CHECKED

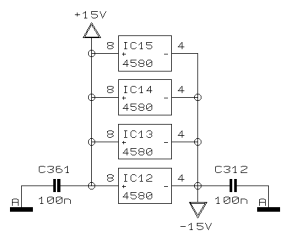
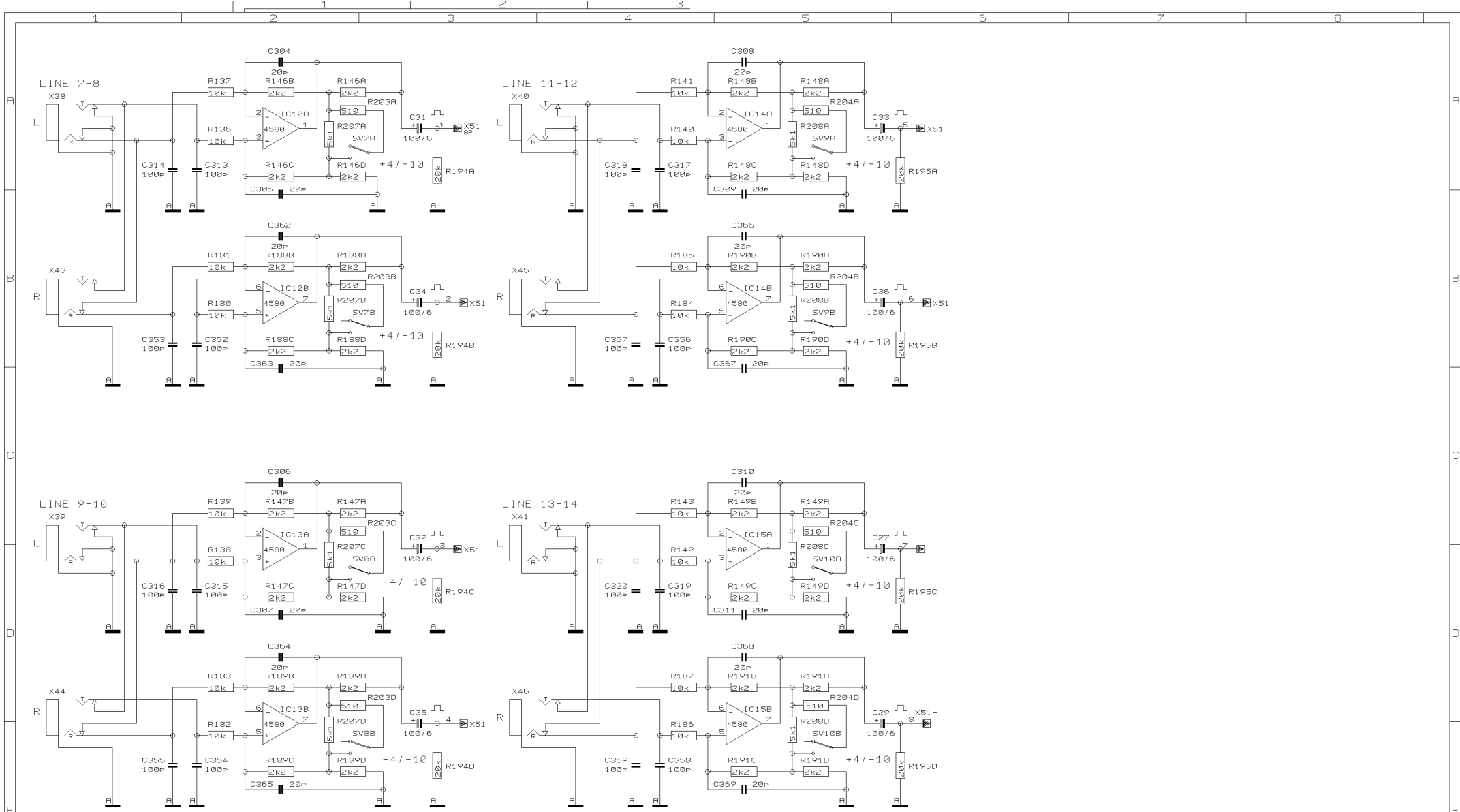
DATE 14.07.6
10:12

BEHRINGER[®]

Specialized Studio Equipment

PROJECT
1832FX
XENYX 1832FX
MIC INPUT CH. 5-6

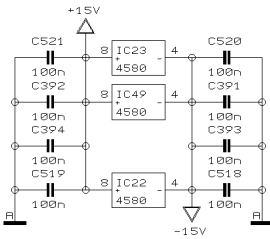
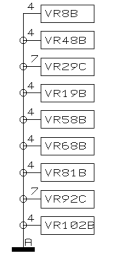
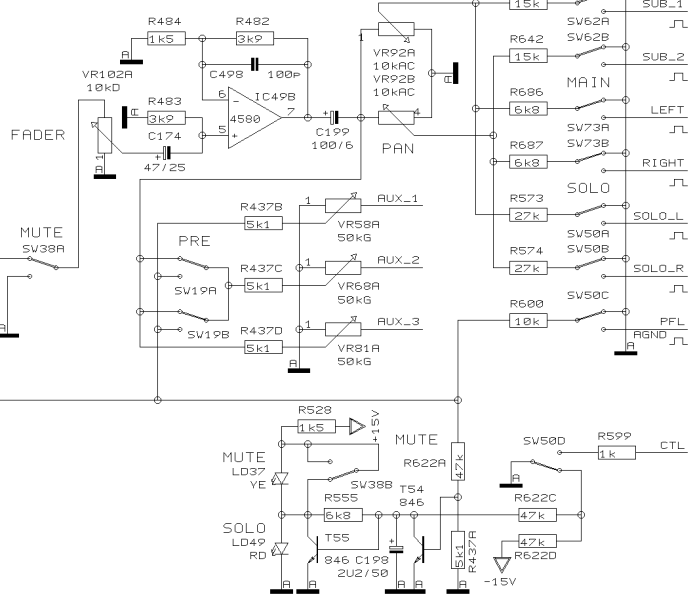
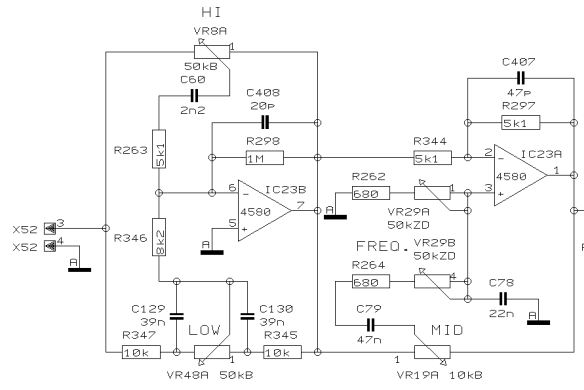
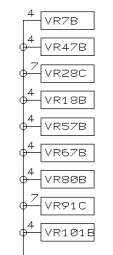
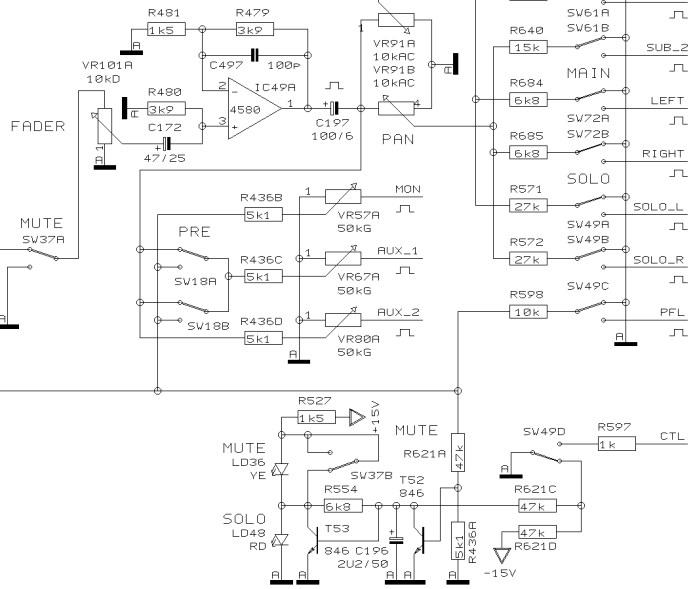
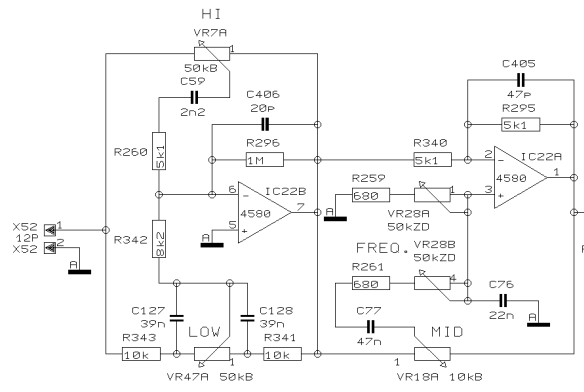
SHEET 2 OF 14 SHEETS TOTAL



REVISIONS		A	
DRAWN	TD	CHECKED	
DATE 14.07. 6		10:12	



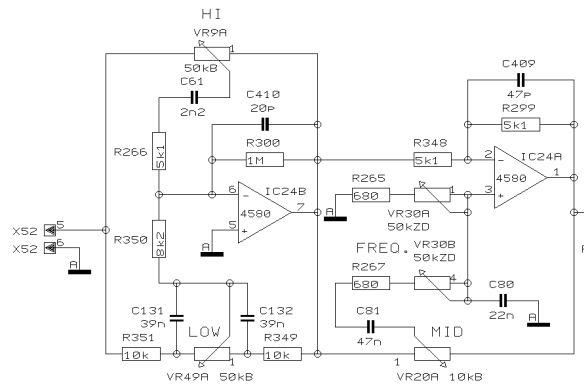
PROJECT
1832FX
XENYX 1832FX
INPUT CH. 7-14
SHEET 3 OF 14 SHEETS TOTAL



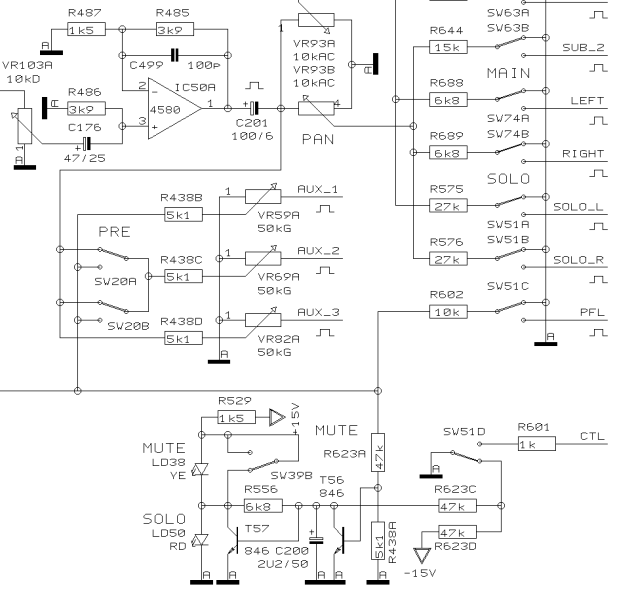
REVISIONS		A	
DRAWN	TD	CHECKED	
DATE 14.07. 6		10:12	



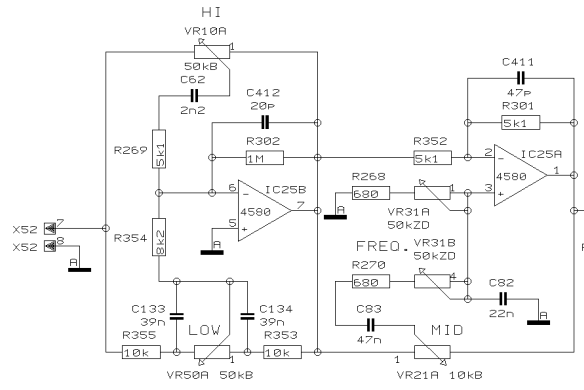
PROJECT
1832FX
XENYX 1832FX
CHANNEL 1 & 2
SHEET 4 OF 14 SHEETS TOTAL



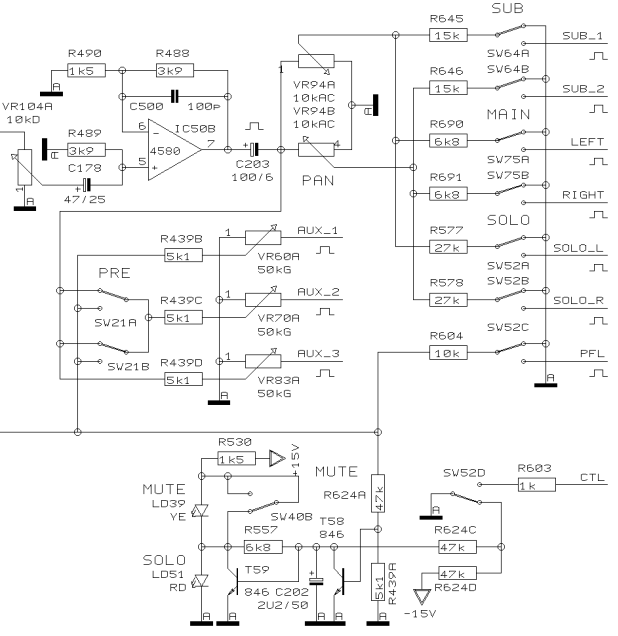
FADER



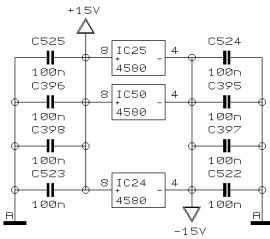
- 4 VR9B
- 4 VR49B
- 7 VR30C
- 4 VR20B
- 4 VR59B
- 4 VR69B
- 4 VR82B
- 4 VR93C
- 4 VR103B



FADER



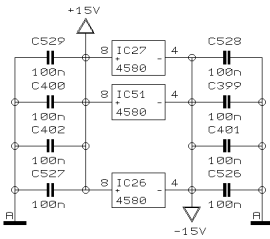
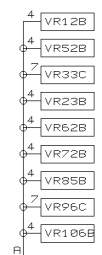
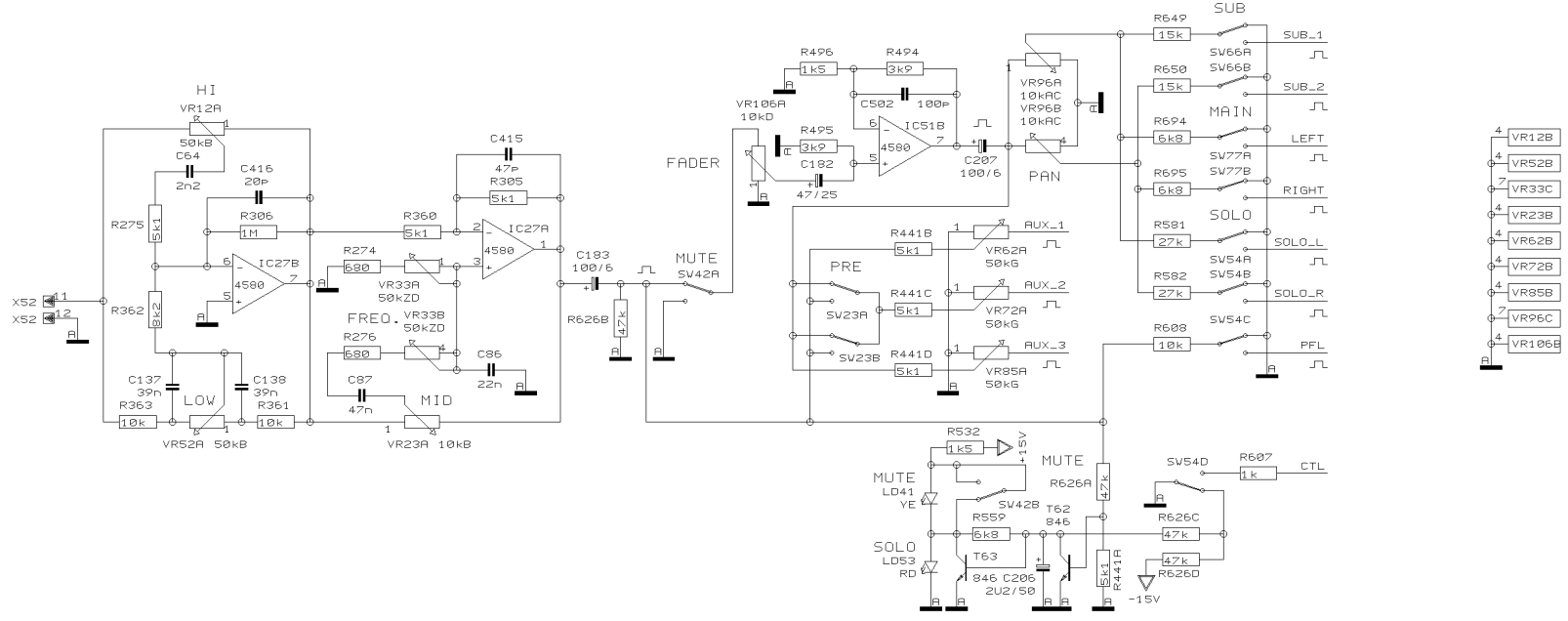
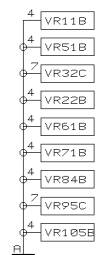
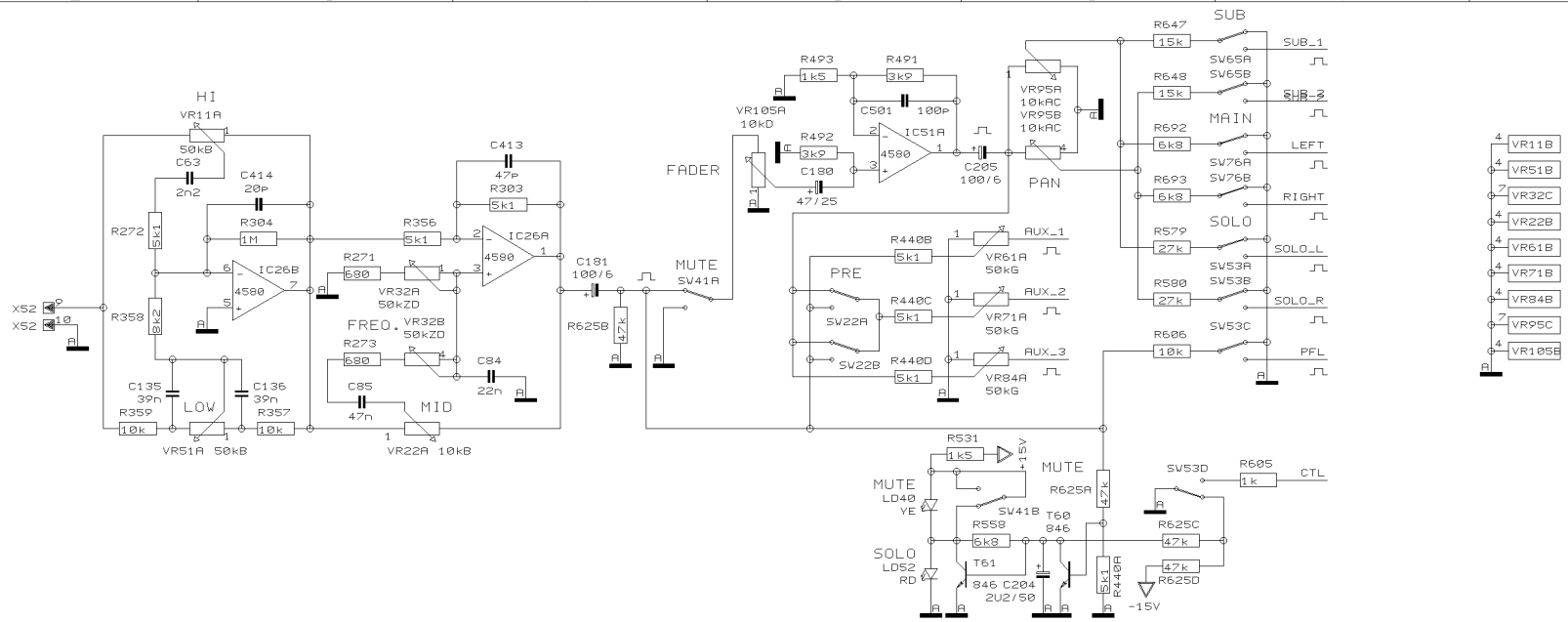
- 4 VR10B
- 4 VR50B
- 7 VR31C
- 4 VR21B
- 4 VR60B
- 4 VR70B
- 4 VR83B
- 4 VR94C
- 4 VR104B



REVISIONS		A	
DRAWN	TD	CHECKED	
DATE		14.07. 6	
		10:12	



PROJECT
1832FX
XENYX 1832FX
CHANNEL 3 & 4
SHEET 5 OF 14 SHEETS TOTAL



REVISIONS A

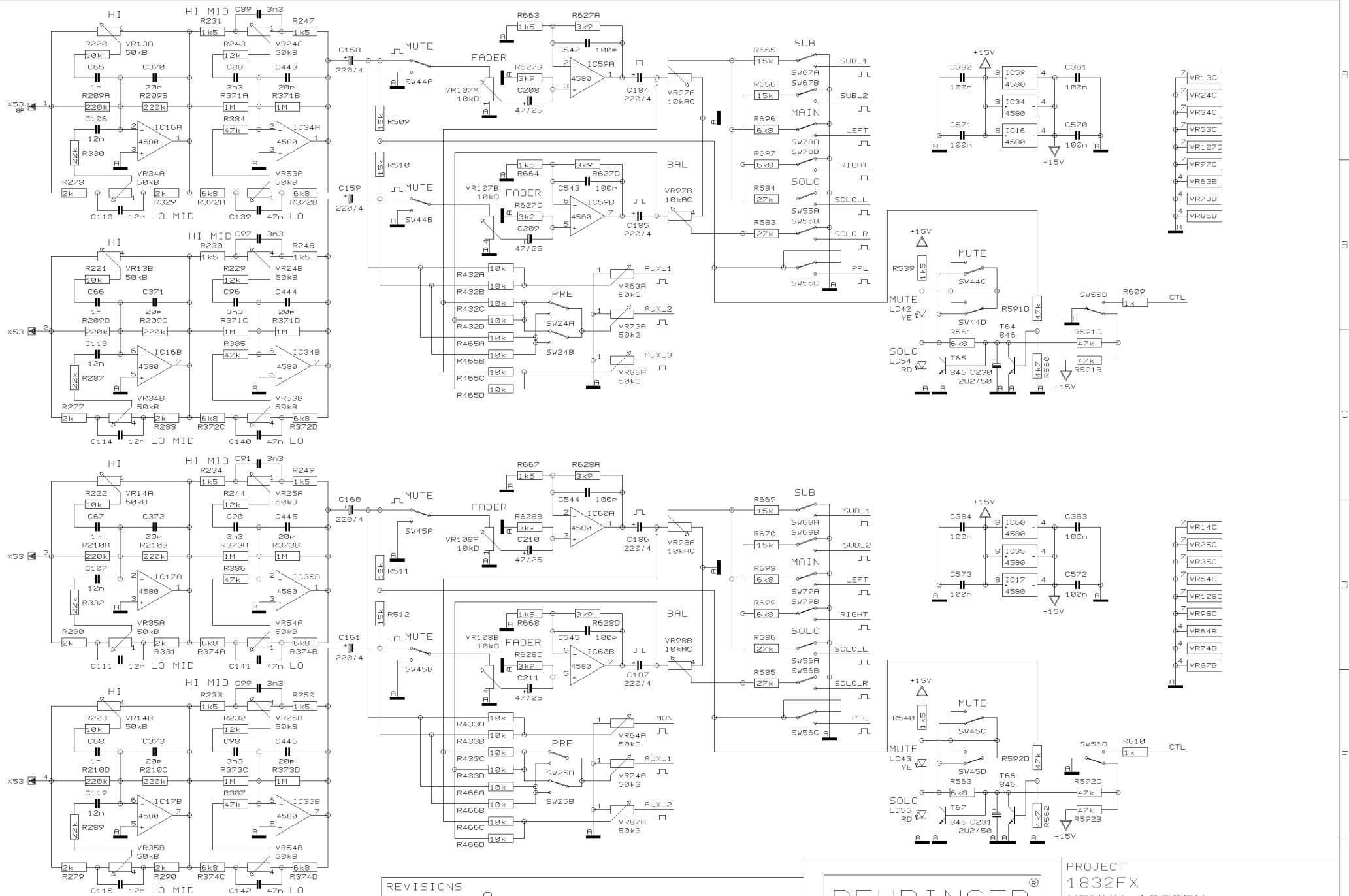
DRAWN TD

CHECKED

DATE 14.07. 6
10:13



PROJECT 1832FX
XENYX 1832FX
CHANNEL 5 & 6
SHEET 6 OF 14 SHEETS TOTAL



REVISIONS
A

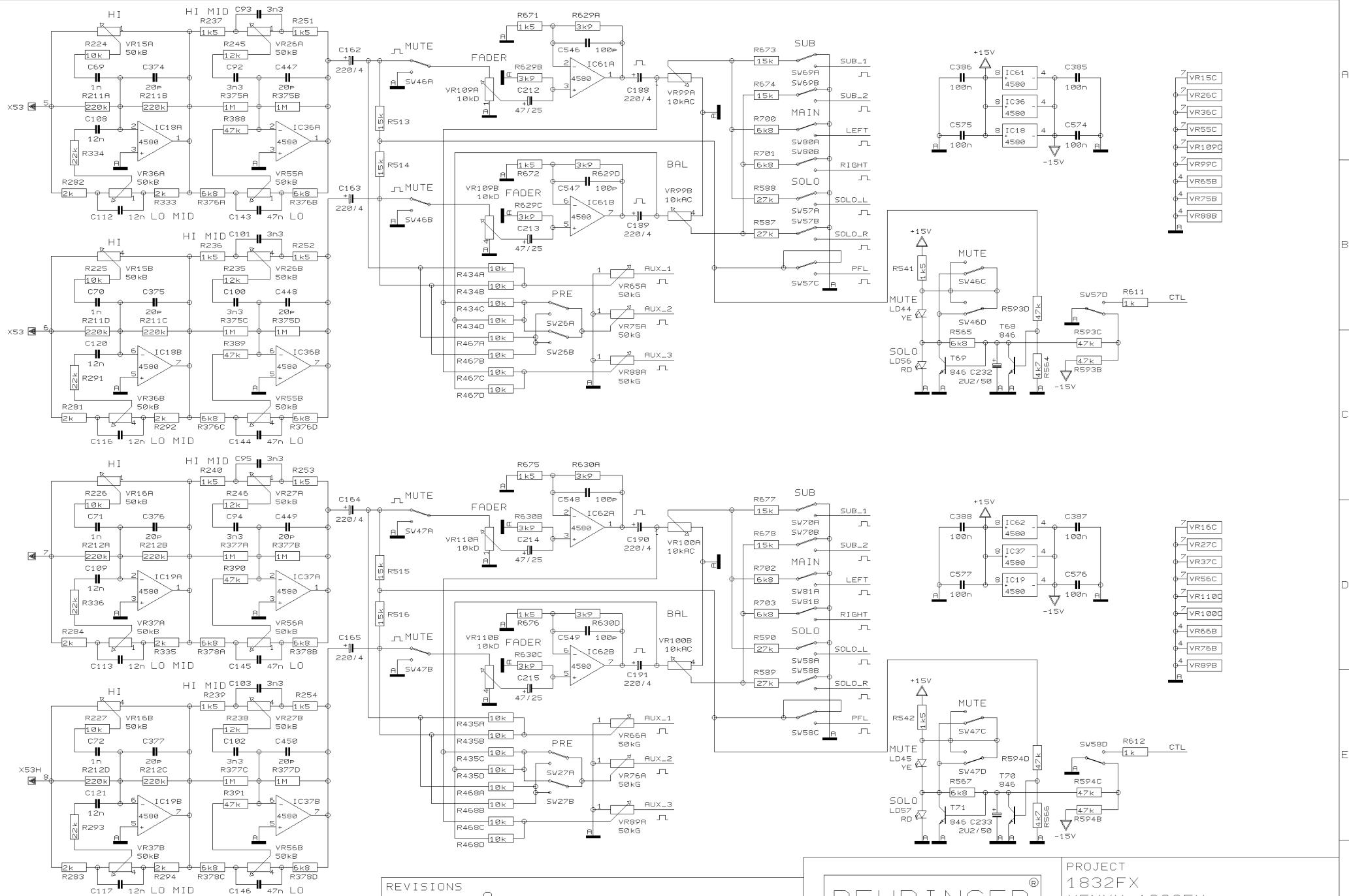
DRAWN TD

CHECKED

DATE 14.07. 6
10:13

BEHRINGER
Specialized Studio Equipment

PROJECT
1832FX
XENYX 1832FX
STEREO CHANNEL 7-10
SHEET 7 OF 14 SHEETS TOTAL



REVISIONS
A

DRAWN TD

CHECKED

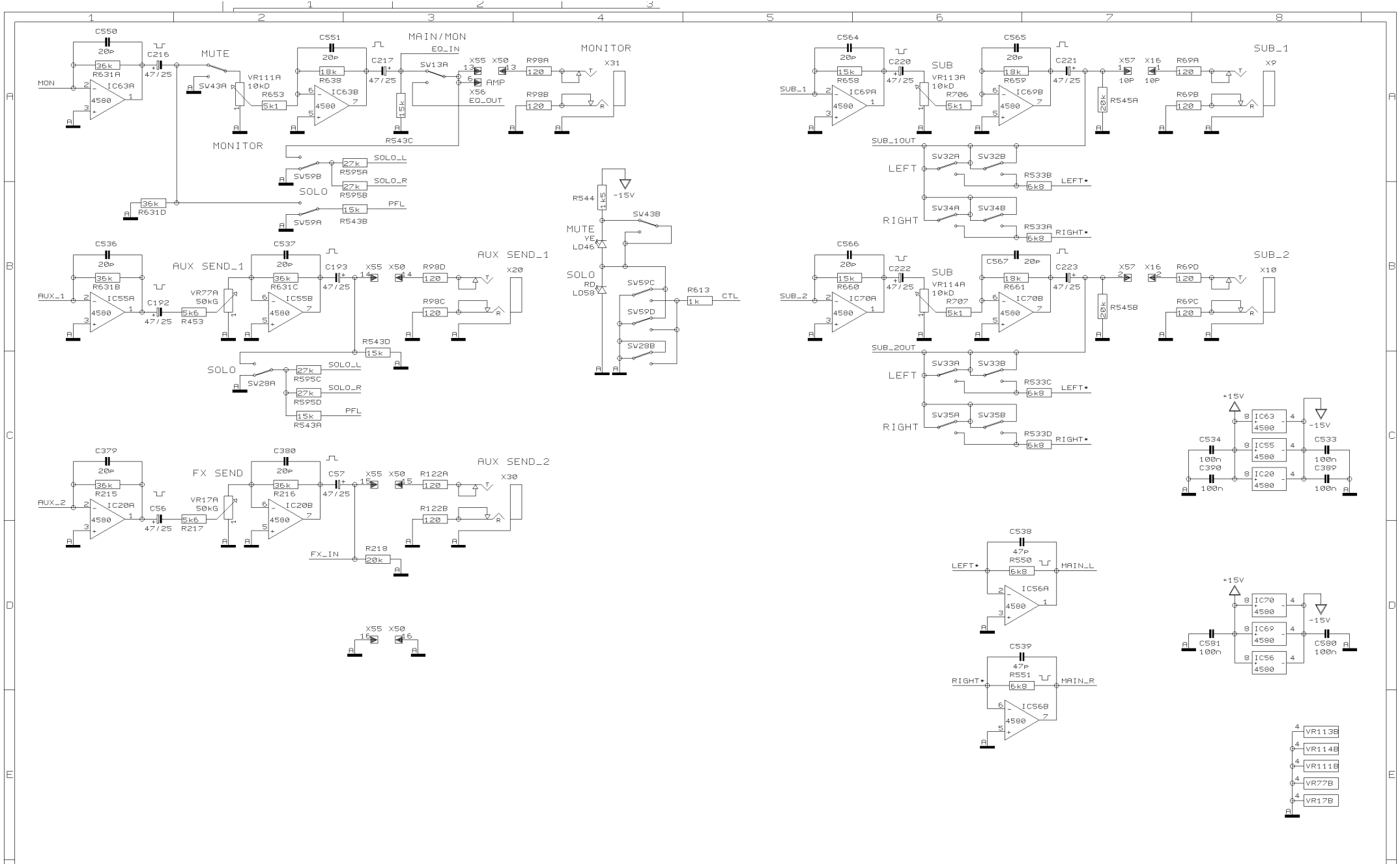
DATE 14.07. 6
10:13

BEHRINGER®

Specialized Studio Equipment

PROJECT
1832FX
XENYX 1832FX
STEREO CHANNEL 11-14

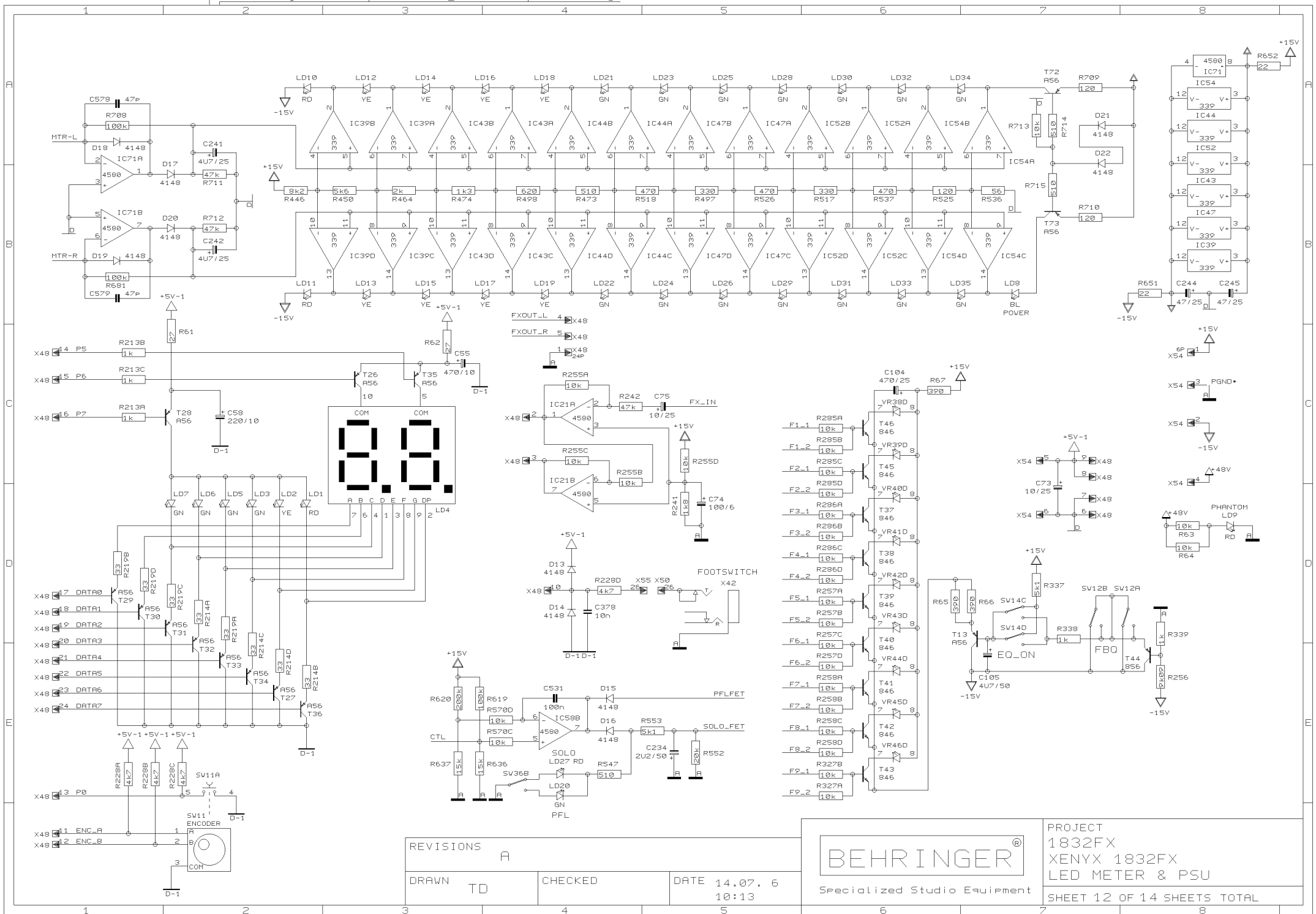
SHEET 8 OF 14 SHEETS TOTAL



REVISIONS		A	
DRAWN	TD	CHECKED	DATE 14.07. 6 10:13



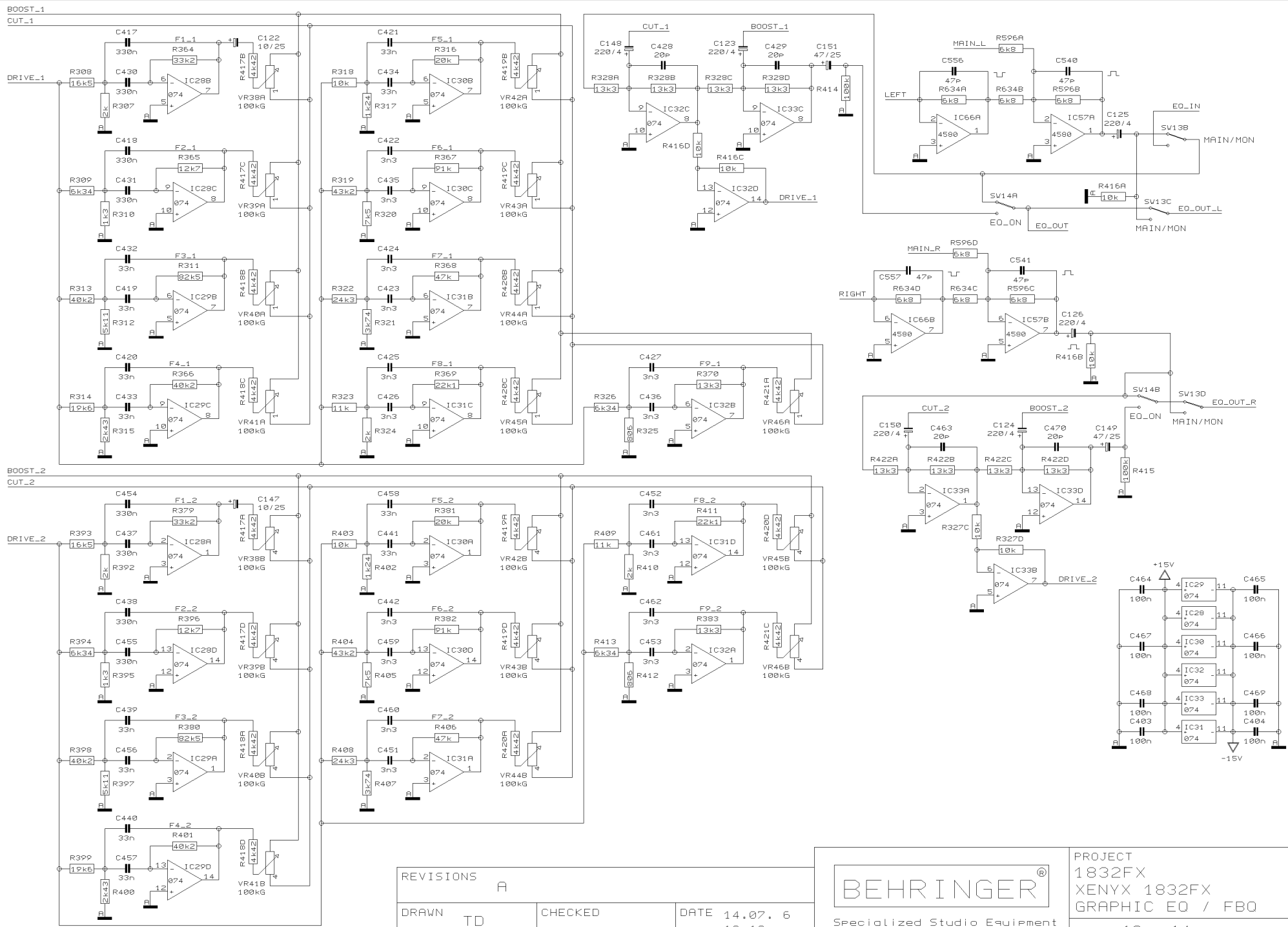
PROJECT
1832FX
XENYX 1832FX
AUX SENDS/SUB OUTS 1-4
SHEET 10 OF 14 SHEETS TOTAL



REVISIONS	A		
DRAWN	TD	CHECKED	DATE 14.07. 6 10:13



PROJECT
1832FX
XENYX 1832FX
LED METER & PSU
SHEET 12 OF 14 SHEETS TOTAL



REVISIONS
A

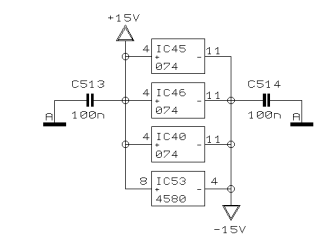
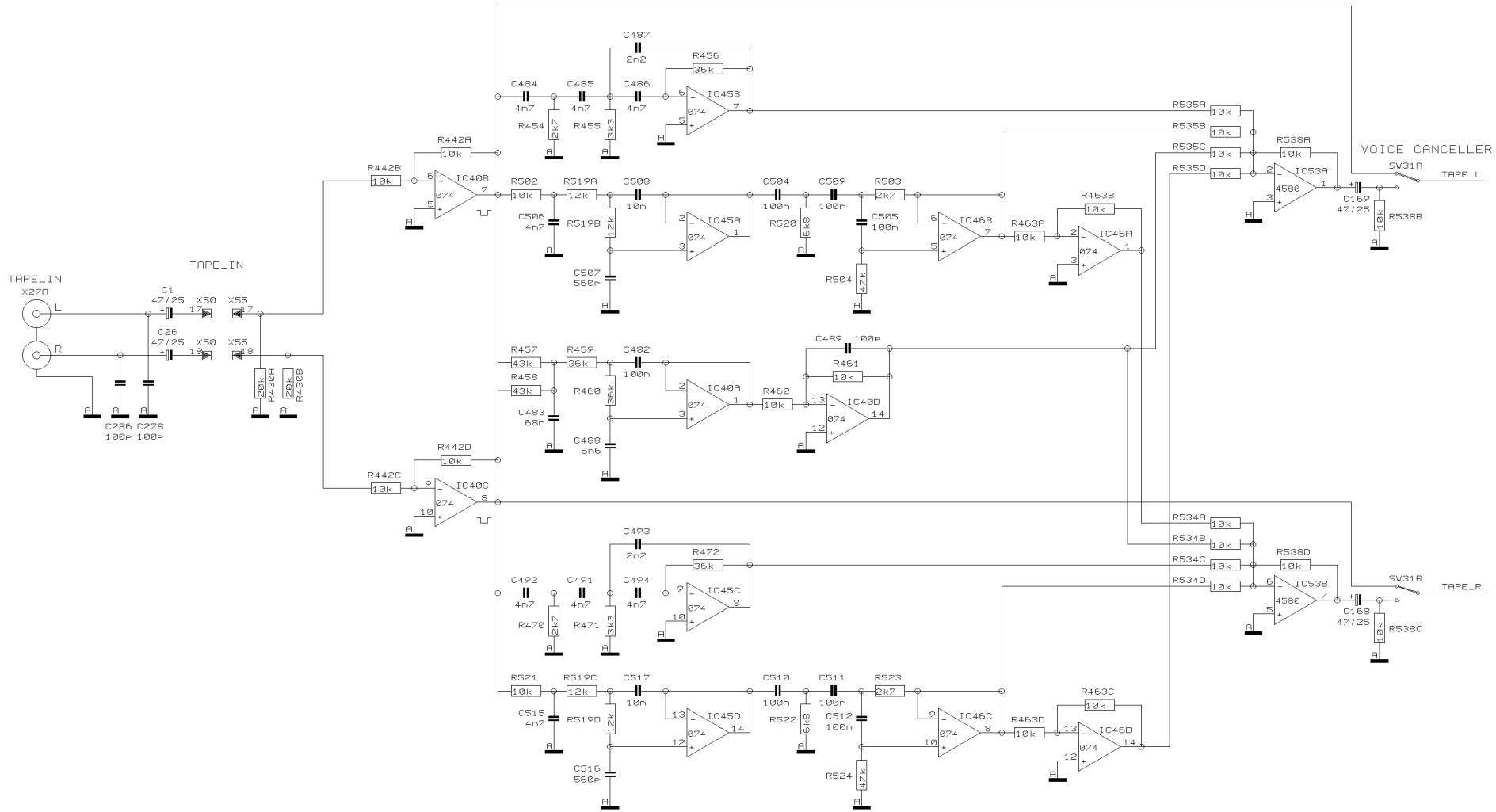
DRAWN TD

CHECKED

DATE 14.07. 6
10:13



PROJECT
1832FX
XENYX 1832FX
GRAPHIC EQ / FBO
SHEET 13 OF 14 SHEETS TOTAL



REVISIONS	
A	
DRAWN	TD
CHECKED	
DATE	14.07. 6
	10:13



PROJECT
1832FX
XENYX 1832FX
VOICE CANCELLER

SHEET 14 OF 14 SHEETS TOTAL