

42 Series

Schematic

B I A M P[®]
S Y S T E M S

10074 SW Arctic Drive Beaverton, OR 97005 503-641-7287

Service Bulletin



Blamp Systems, Inc.
P.O. Box 728
Beaverton, OR 97075
503/641-6767

March 23, 1983

42 SERIES METER CALIBRATION

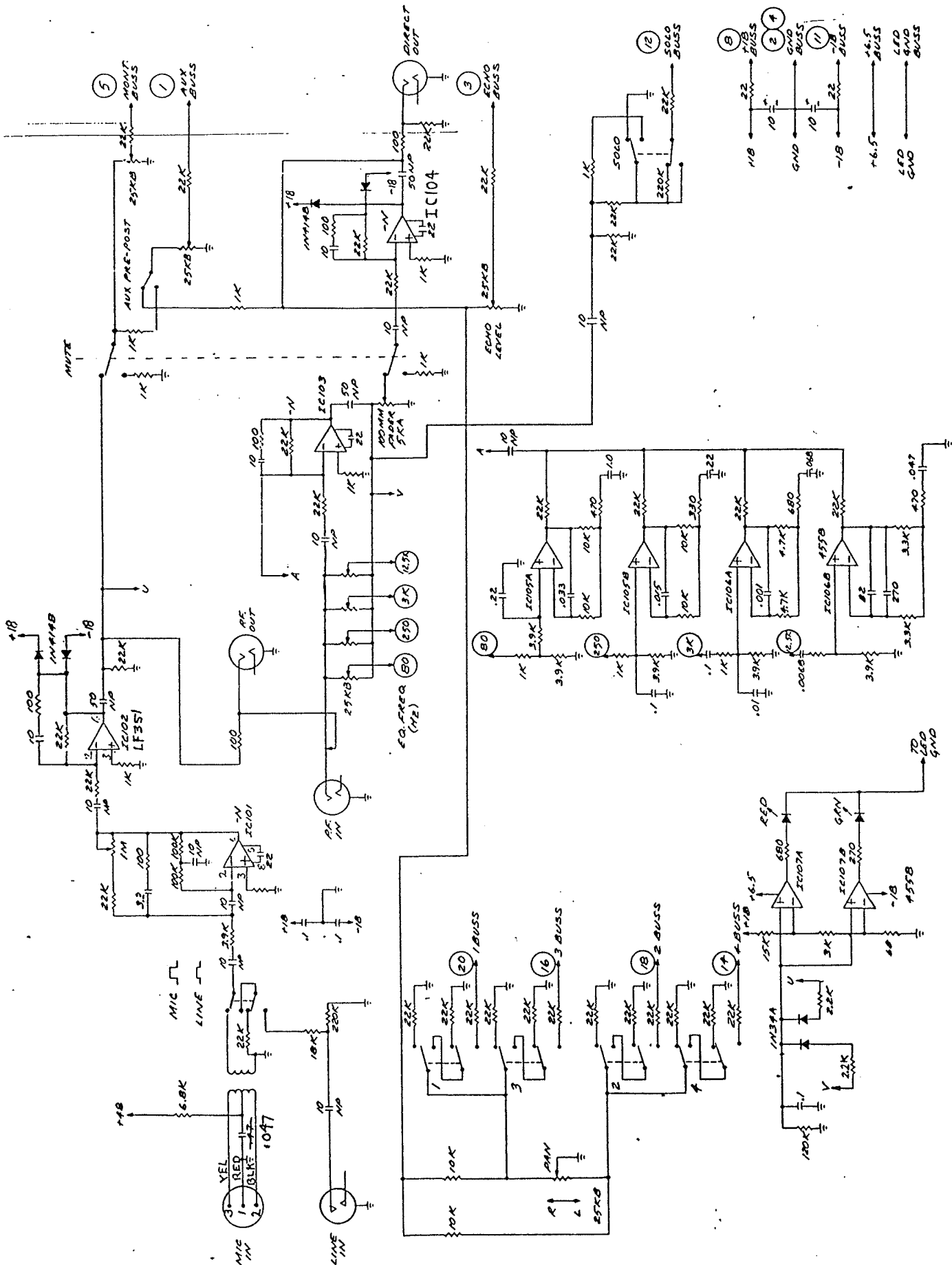
1. SINEWAVE GENERATOR
2. AC VOLTMETER. (Log Scale)

1. INSERT A -20db LEVEL SIGNAL INTO CH. 16 (24) LINE INPUT.
2. SET THE LINE/MIKE SWITCH OUT. ALL EQ'S AND PAN CENTERED. ALL AUX, ECHO, AND MONITOR CONTROLS FULLY CW. DEPRESS SUB 1,2,3,4 ASSIGN SWITCHES. SET THE SLIDE FADER TO ITS MAXIMUM OUTPUT POSITION.
3. INSERT THE AC VOLTMETER TO CH. 16 (24) DIRECT OUT. ADJUST THE TRIM CONTROL FOR "0"db (0.775 VRMS) OUT.
4. MOVE THE AC VOLTMETER TO SUB 1 OUT. ADJUST THE SUB 1 FADER FOR AN OUTPUT OF "0"db. REPEAT FOR SUBS 2,3,4, LEFT MAIN, RIGHT MAIN AND MONITOR.
5. LOCATE THE SUB 1 METER CALIBRATION CONTROL ON THE UNDERSIDE OF THE SUB 1 CIRCUIT BOARD. ADJUST THIS CONTROL FOR A "0"db READING ON THE PANEL METER.

REPEAT THIS PROCEDURE FOR SUBS 2,3, AND 4.

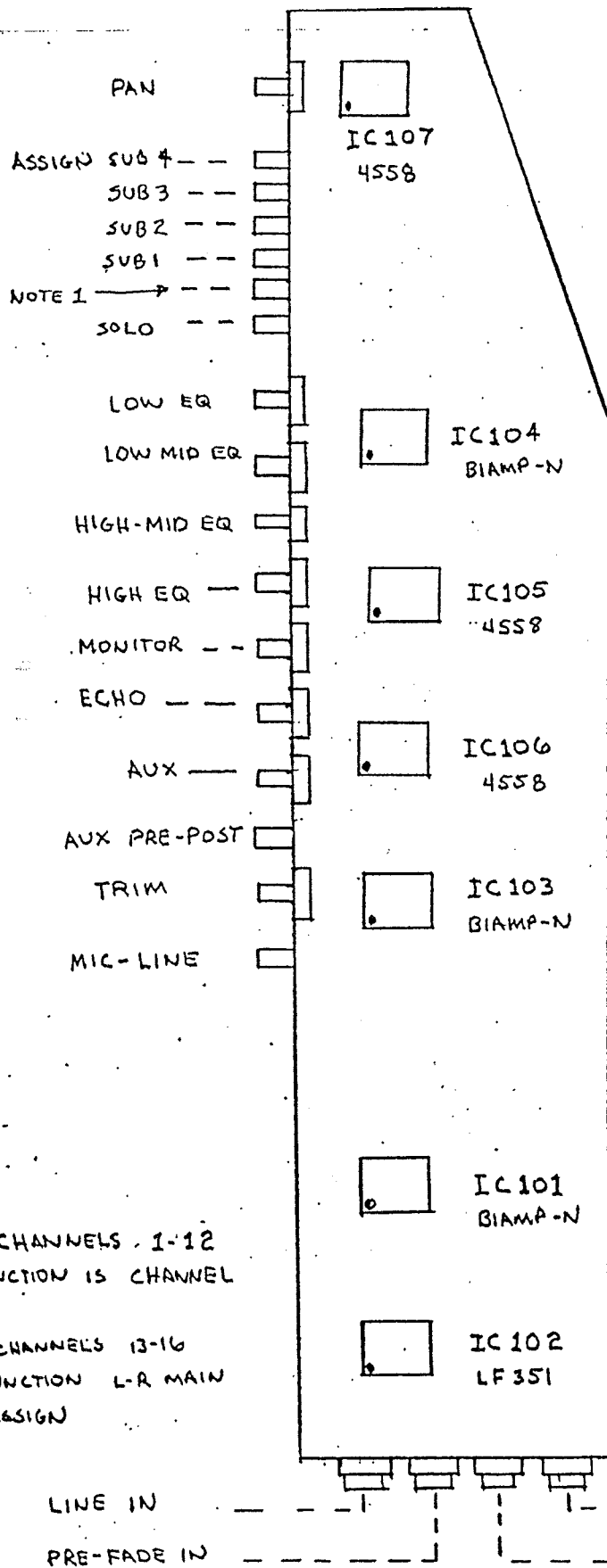
METER CALIBRATION IS NOW COMPLETE

NOTE: OTHER OUTPUT LEVELS MAY BE USED AS A REFERENCE WHEN CALIBRATING THE METERS FOR USE WITH EQUIPMENT REQUIRING A DIFFERENT REFERENCE LEVEL.



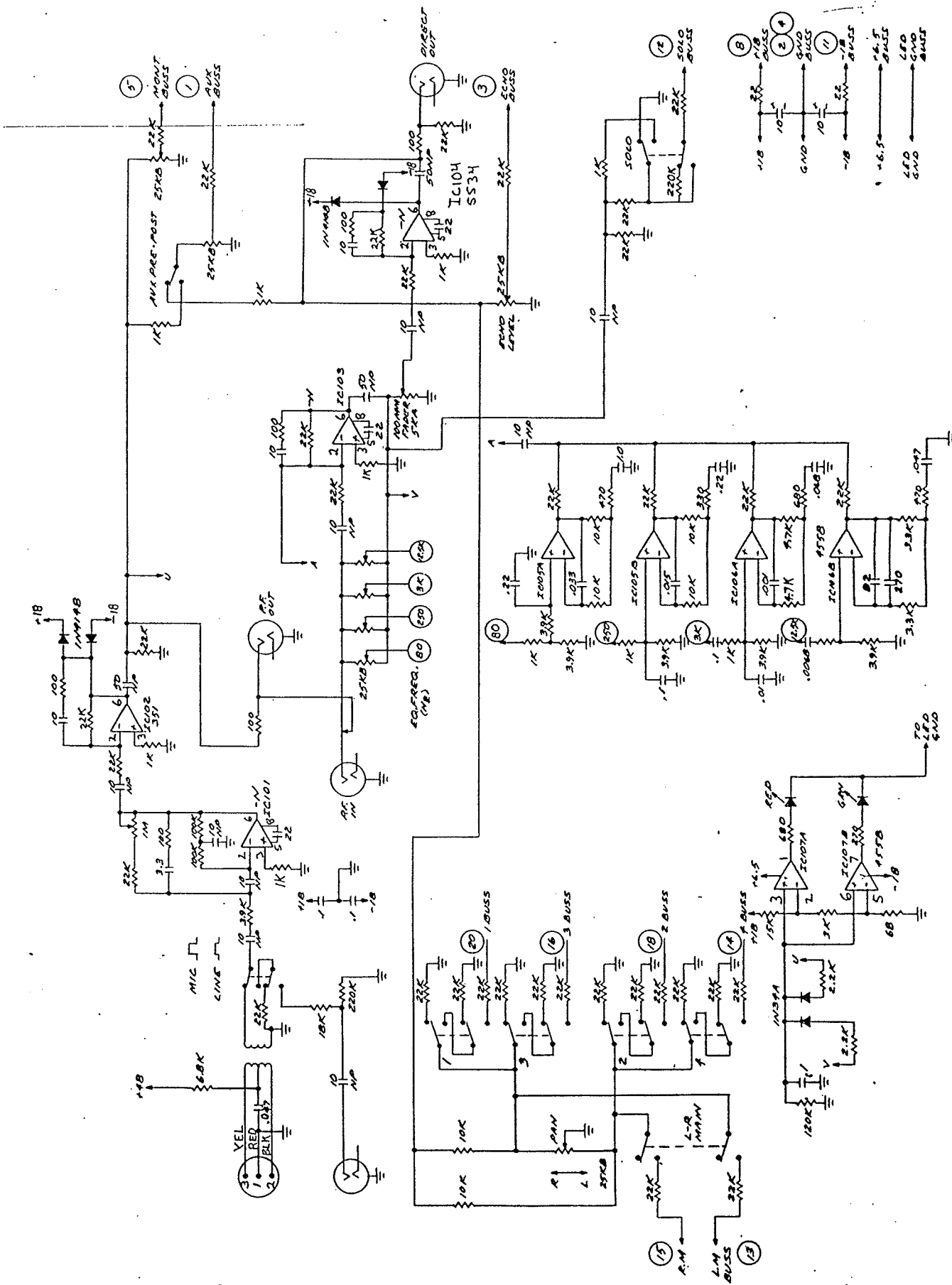
16 PIN INPUT
 10/25/79 G.D.M.

8 PIN OUTPUT
 REFERS TO RIBBON CABLE



NOTE #1
 - ON CHANNELS 1-12
 - THIS FUNCTION IS CHANNEL
 MUTE
 - ON CHANNELS 13-16
 - THIS FUNCTION L-R MAIN
 ASSIGN

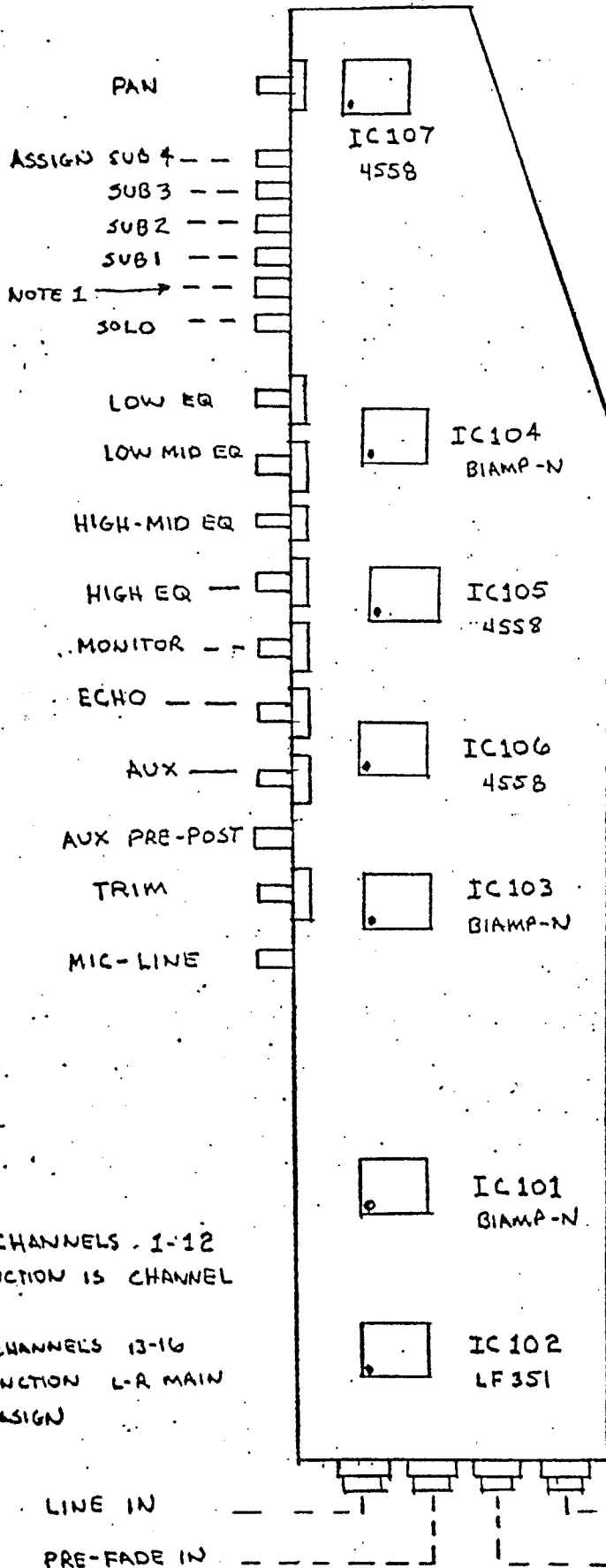
1642
 CHANNEL 1-12 13-16
 COMPONENT SIDE
 LAYOUT DIAGRAM
 JD-TH JB 4-30-80



1988 PRINT MADE
10/25/79 G. ARV'S

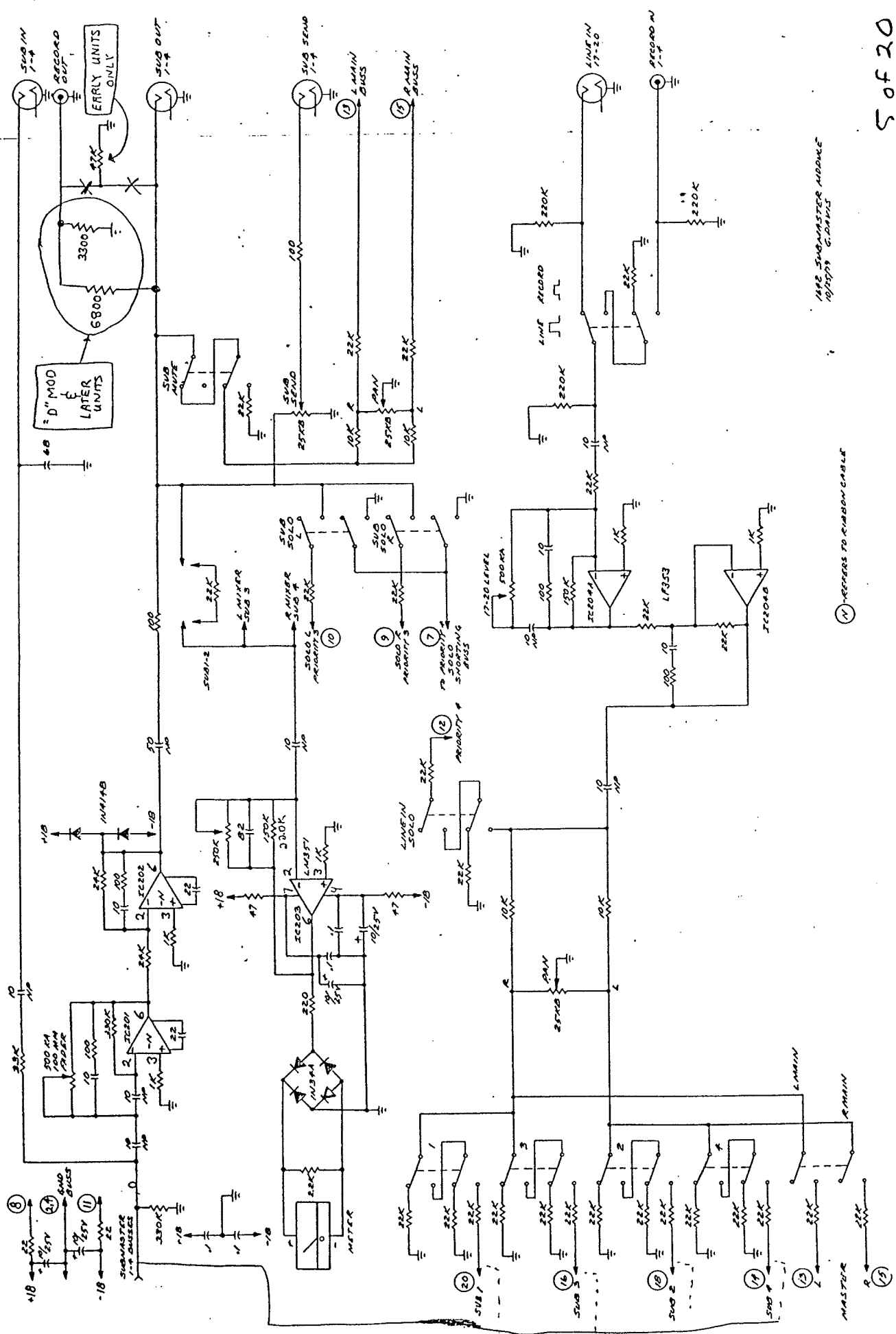
(A) - REFERS TO RIBBON CABLE

50



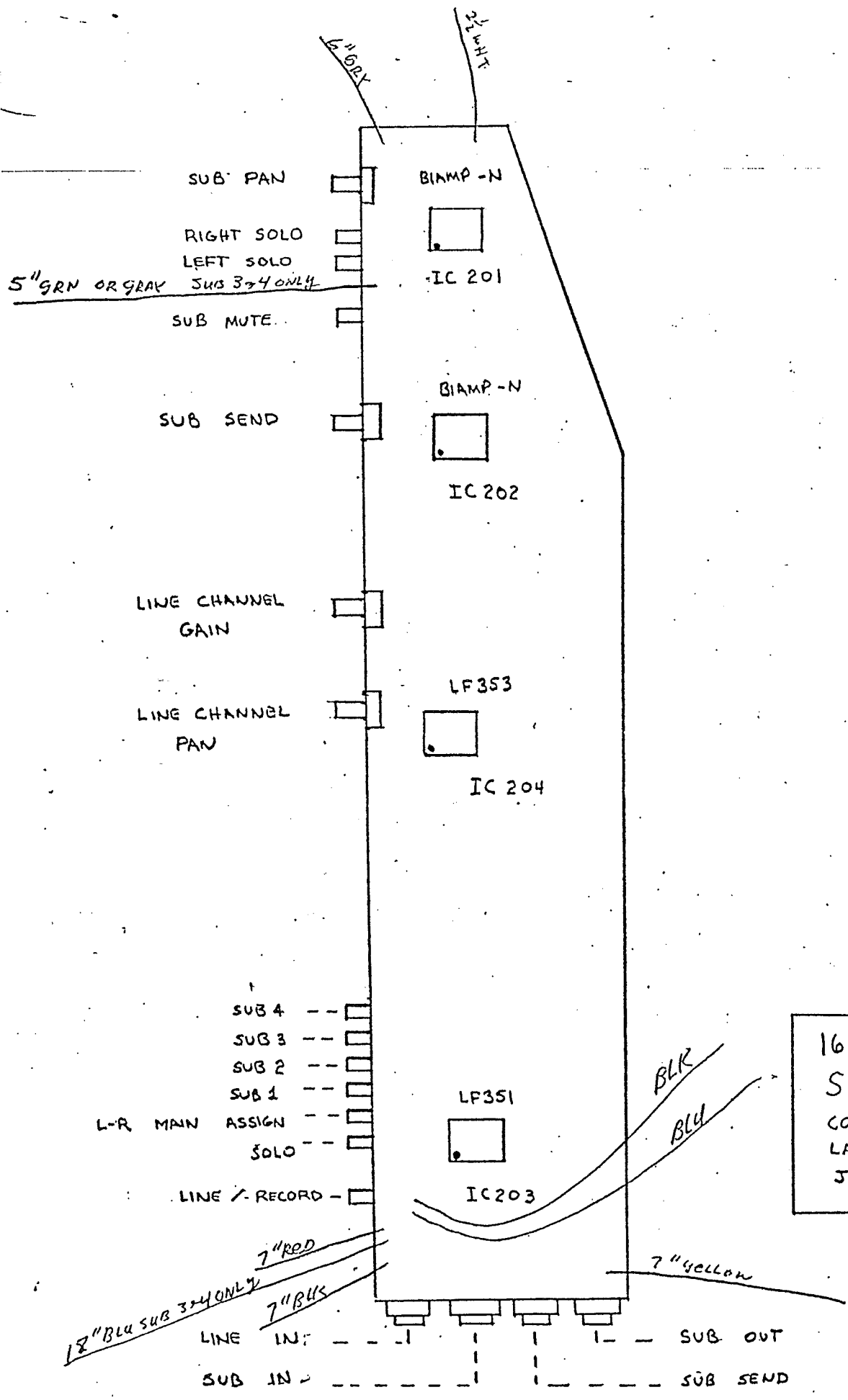
NOTE #1
 - ON CHANNELS 1-12
 - THIS FUNCTION IS CHANNEL MUTE
 - ON CHANNELS 13-16
 - THIS FUNCTION L-R MAIN ASSIGN

1642
 CHANNEL 1-12.13-16
 COMPONENT SIDE
 LAYOUT DIAGRAM
 JD-TH JB 4-30-80



1482 SUBMASTER ADDRESS
10/19/73 G. DANIEL

(N) REFERS TO CARBON CABLE



5" GRN OR GRAY SUB 3 & 4 ONLY

6" GRN

2" LHT

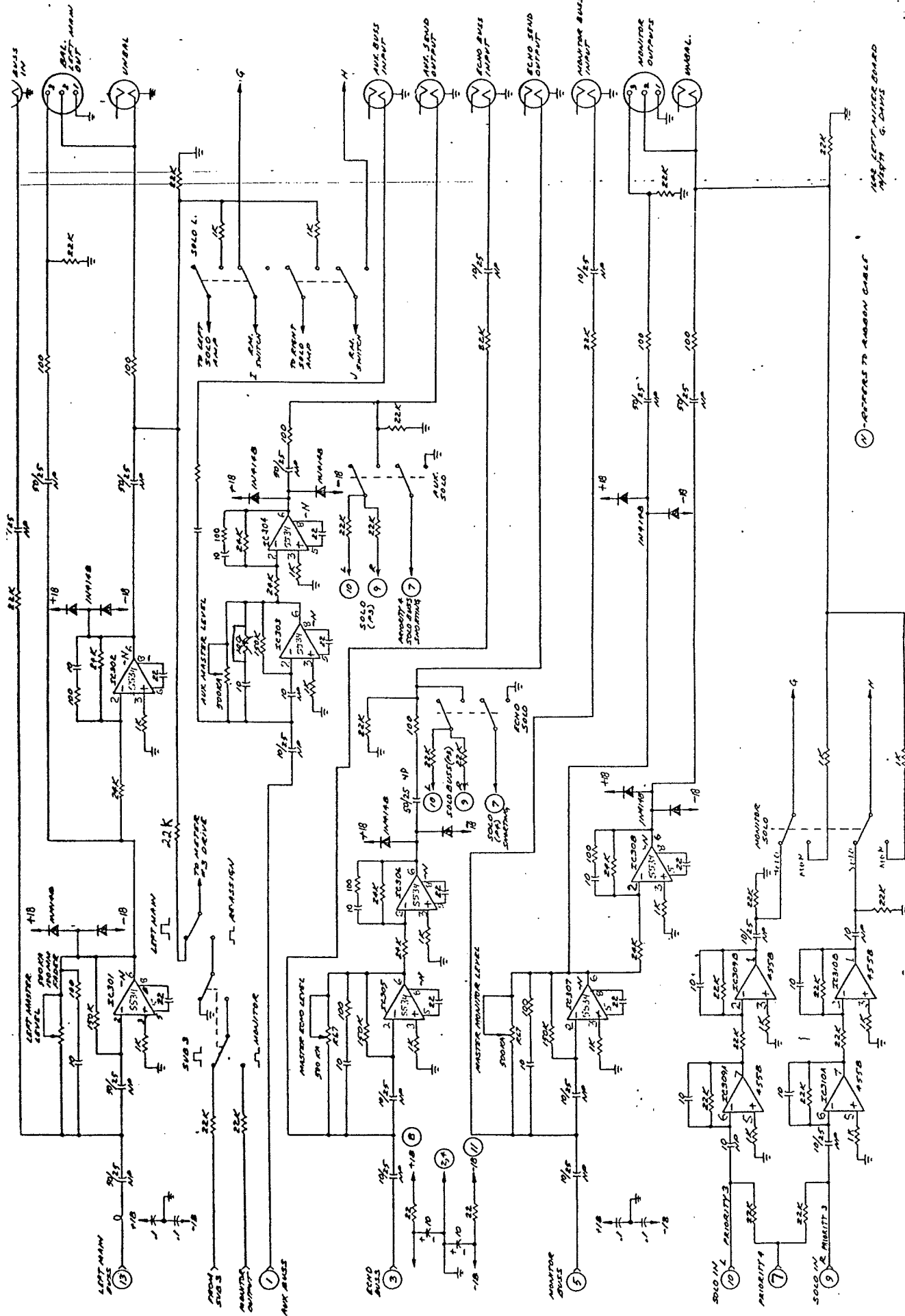
1642 1-4
 SUBMASTER
 COMPONENT SIDE
 LAYOUT DIAGRAM
 JD-TH- 4-30-80

7" RED
 7" BLU
 12" BLU SUB 3 & 4 ONLY

BLK

BLU

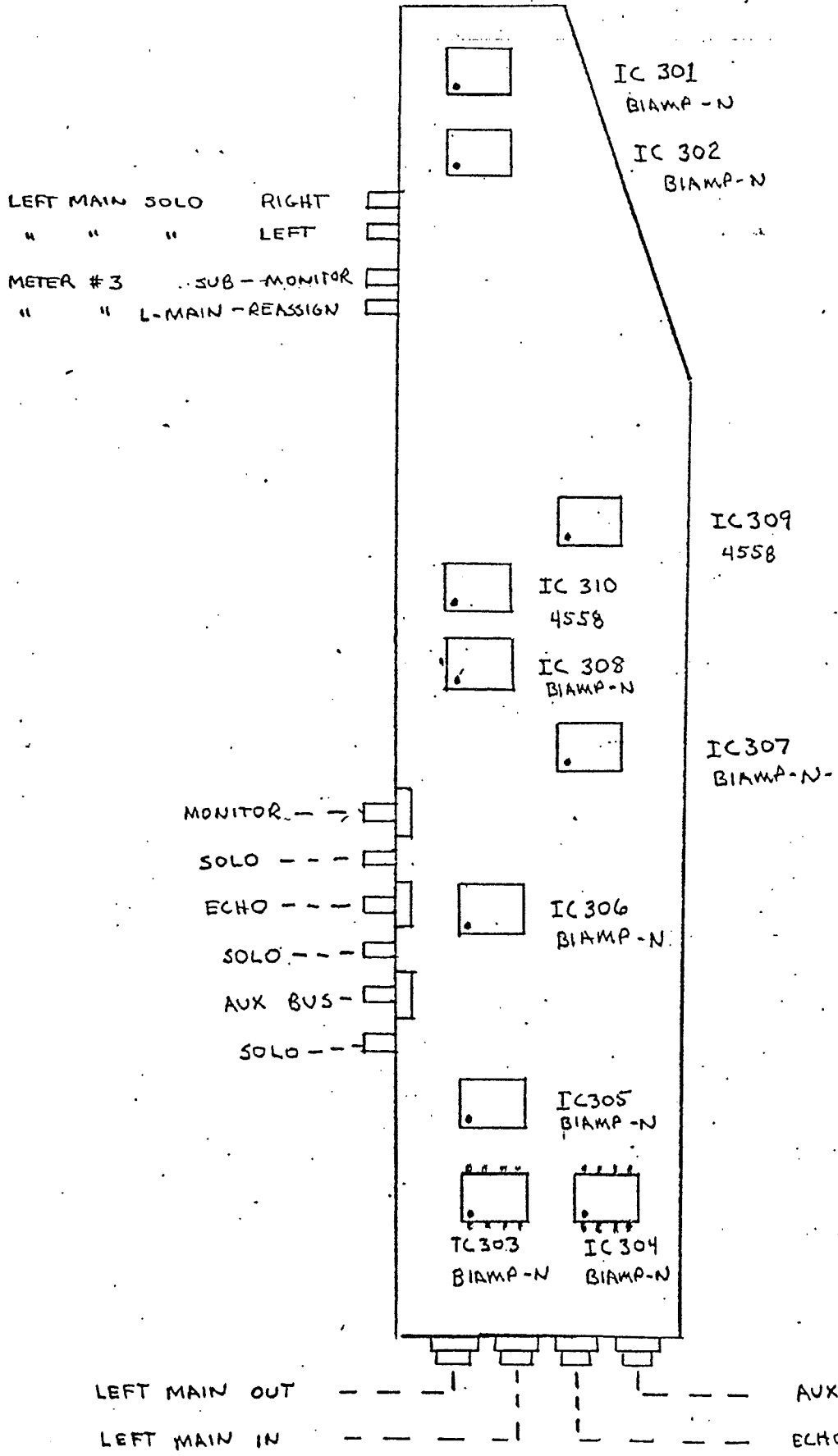
7" yellow



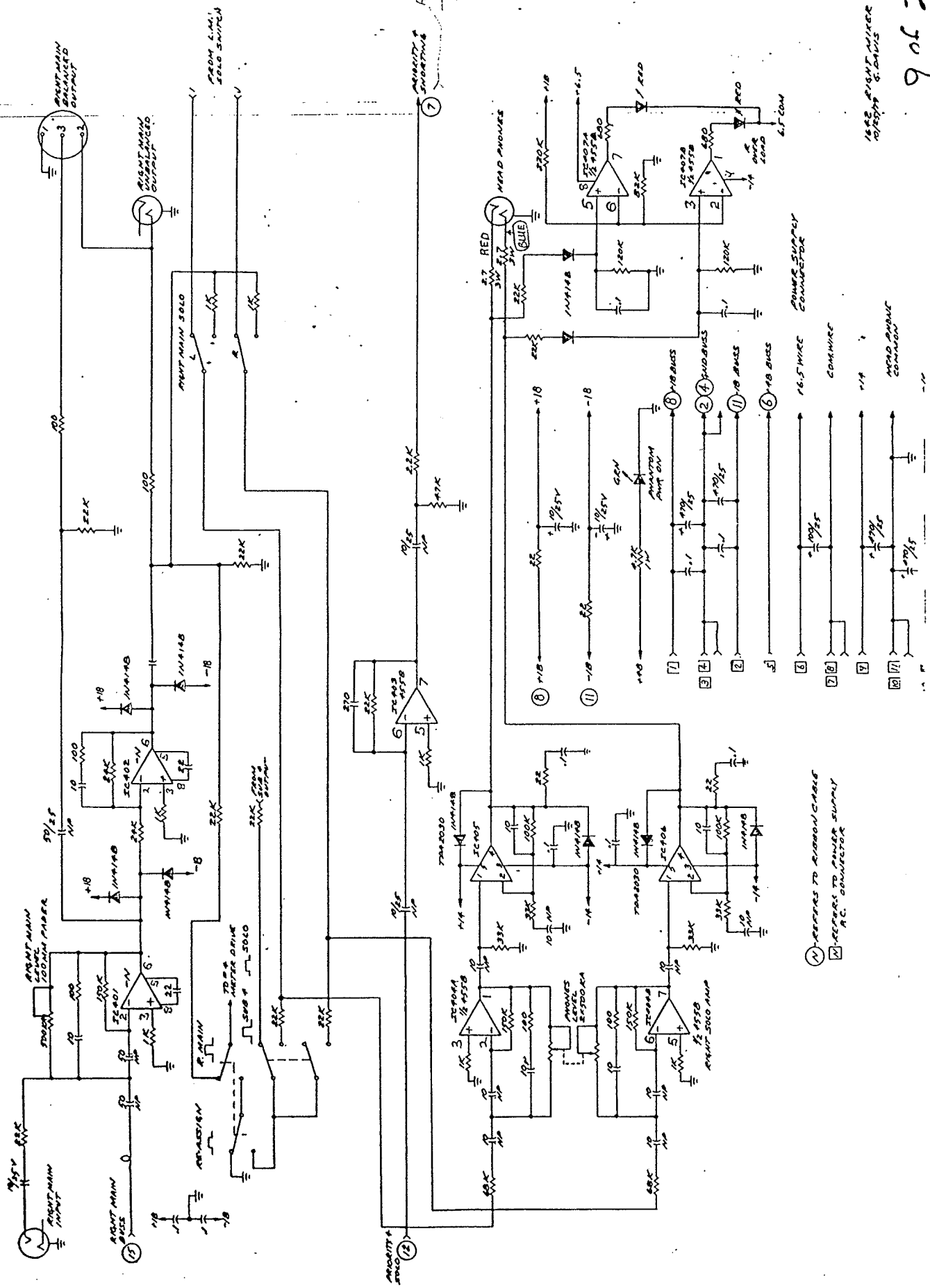
(1) - REFERS TO RABBIT CABLE

USE LEFT MIXER BOARD
145507 G. DAVIS

u f i



1642
LEFT MIXER
COMPONENT SIDE
LAYOUT DIAGRAM
JD TH-JB 4-30-80



1888 RIGHT WIRE
10/15/50V 5.0A/1.5

16.5 WIRE
COMMON WIRE

16.5 WIRE
COMMON

16.5 WIRE
COMMON

16.5 WIRE
COMMON

16.5 WIRE
COMMON

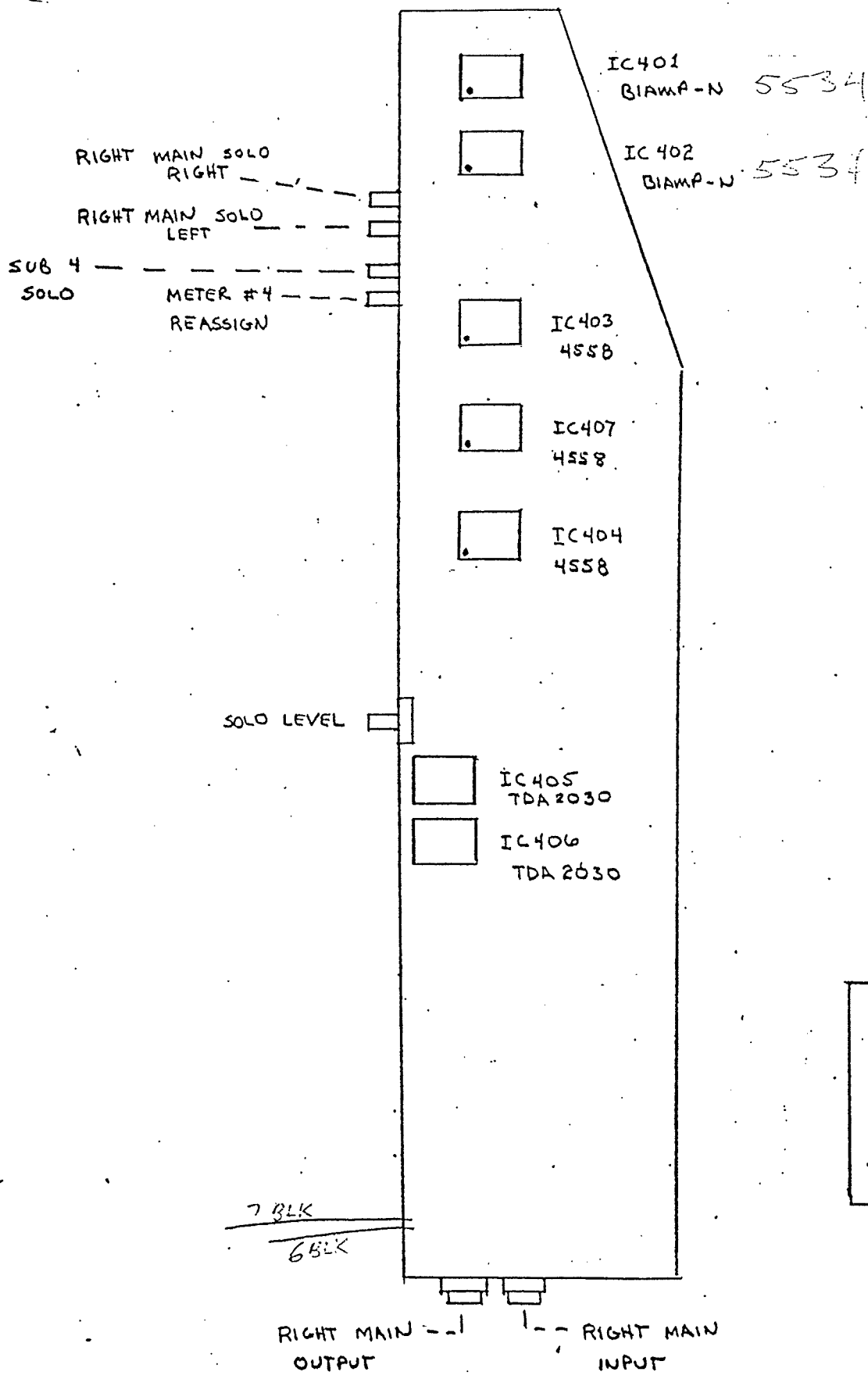
16.5 WIRE
COMMON

16.5 WIRE
COMMON

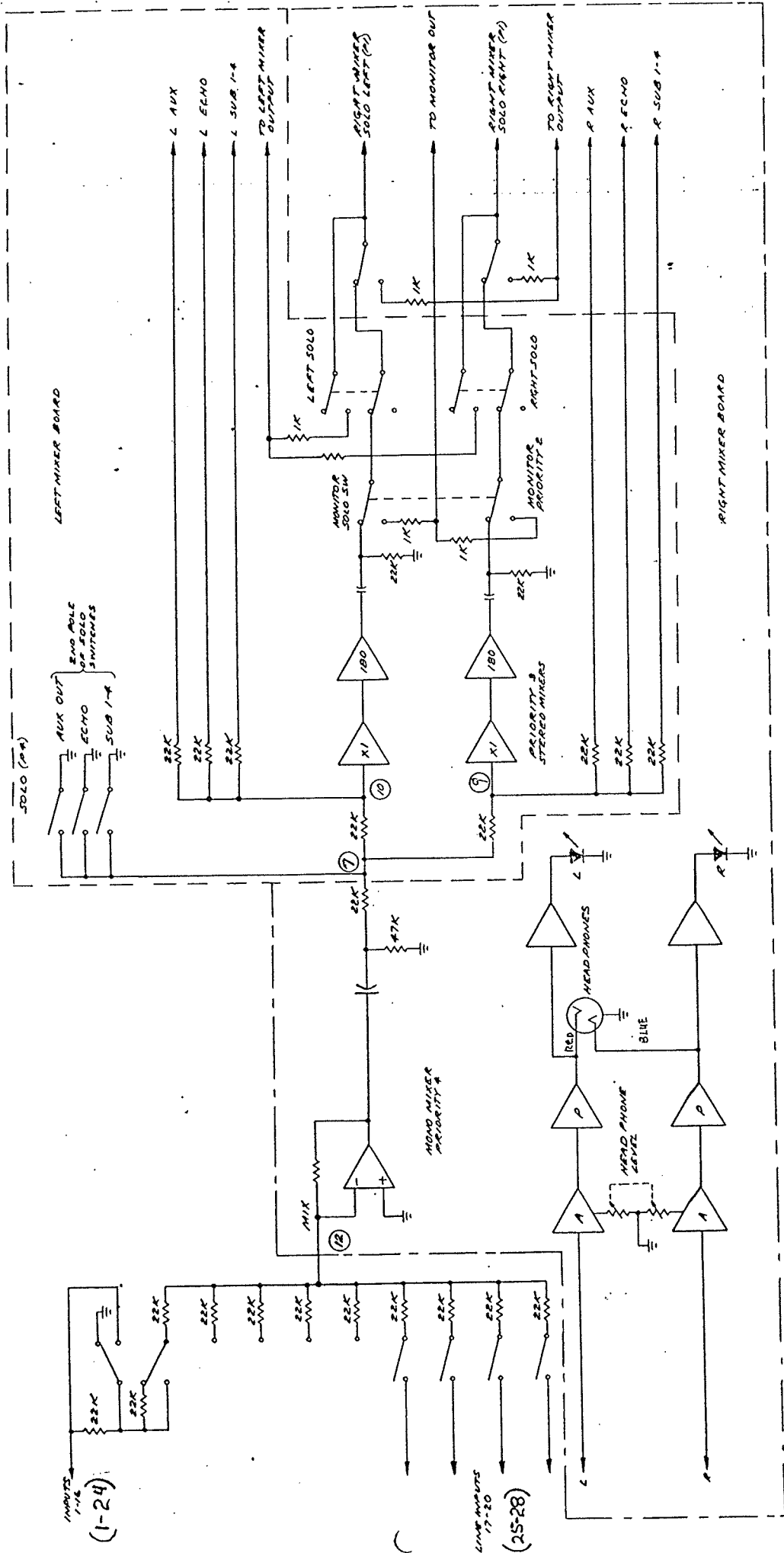
16.5 WIRE
COMMON

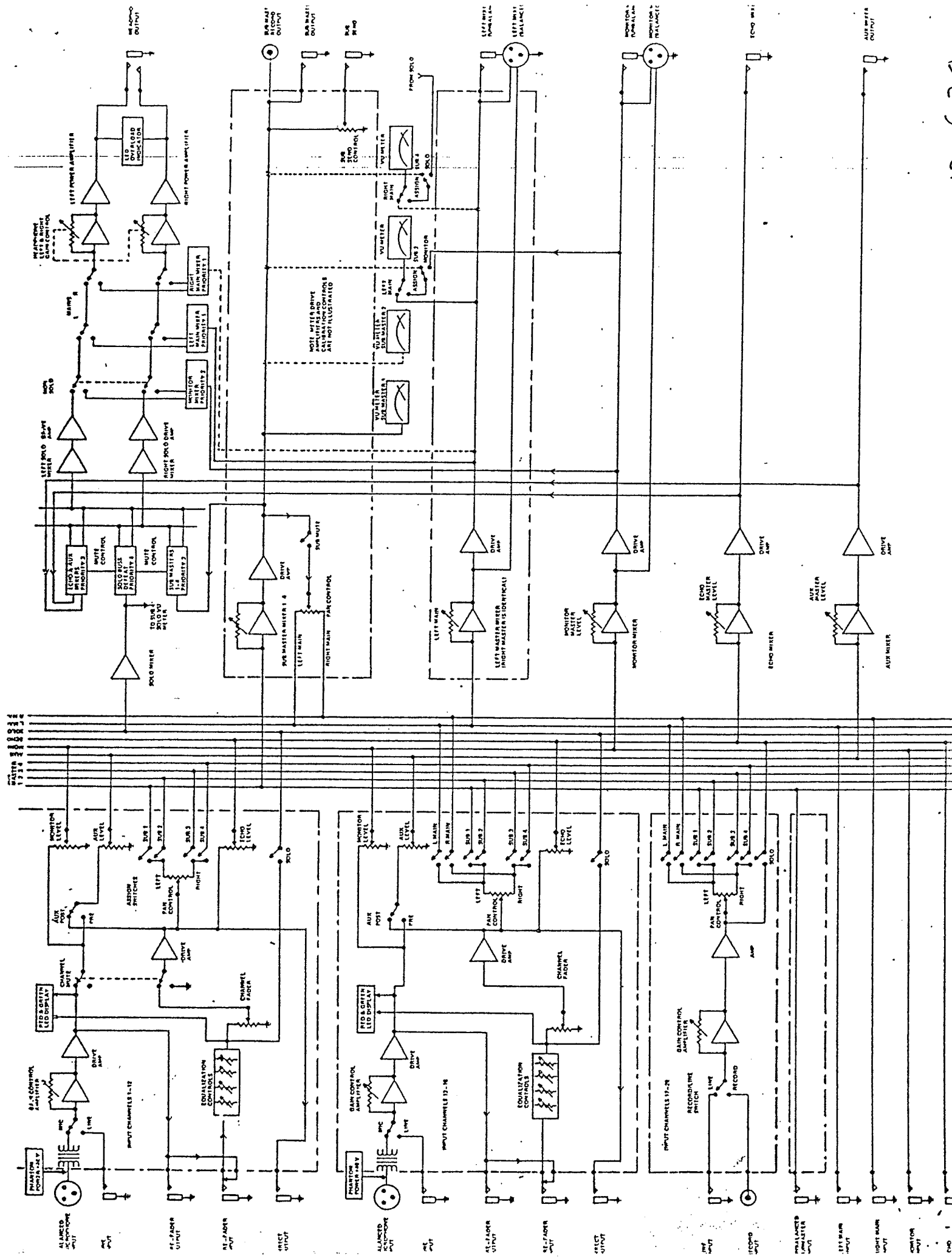
16.5 WIRE
COMMON

16.5 WIRE
COMMON

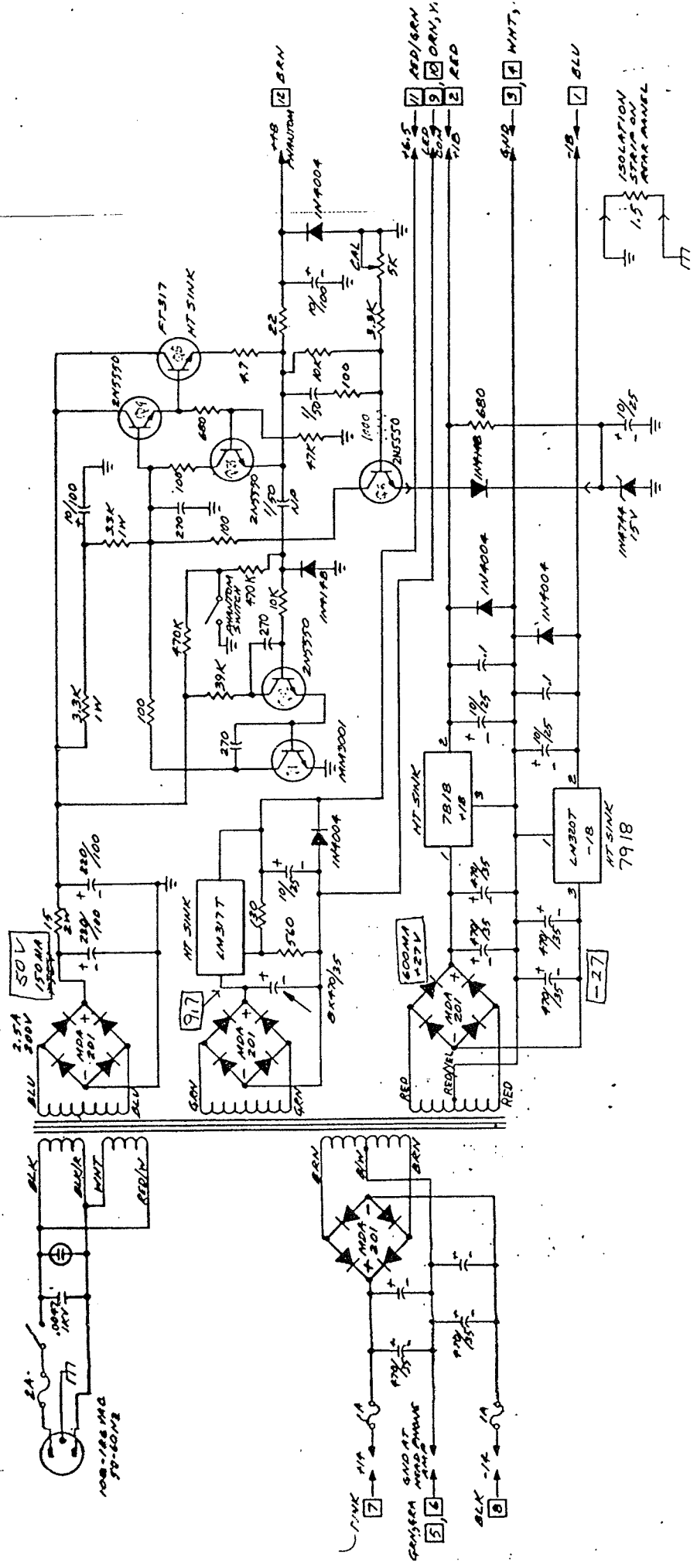


1642
 RIGHT MIXER
 COMPONENT SIDE
 LAYOUT DIAGRAM
 JD-TH-JB 4-30-80





U C J V C I



REFERS TO POWER SUPPLY CABLE CONNECTOR

REFERS TO POWER SUPPLY CABLE CONNECTOR

1692 REMOTE POWER SUPPLY
10/25/79 G. DAVIS

FT317 LM340T LM320T LM317T
 Q5 1-18 -18 +6.5
 B C E 7818 7918

2N5550
 Q6

2N5550

Q7

MM3001

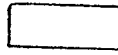
Q8

2N5550

SK TRIM POT
 +48 VOLT SUPPLY
 ADJUSTMENT

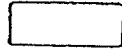


48V



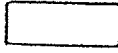
MDA201

18V



MDA201

15V



MDA201

1AMP FUSES



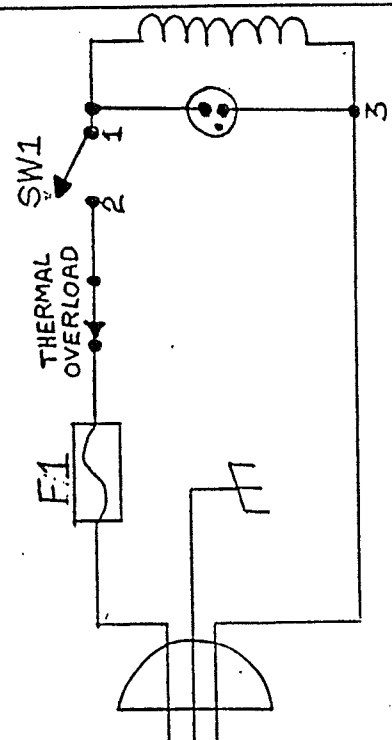
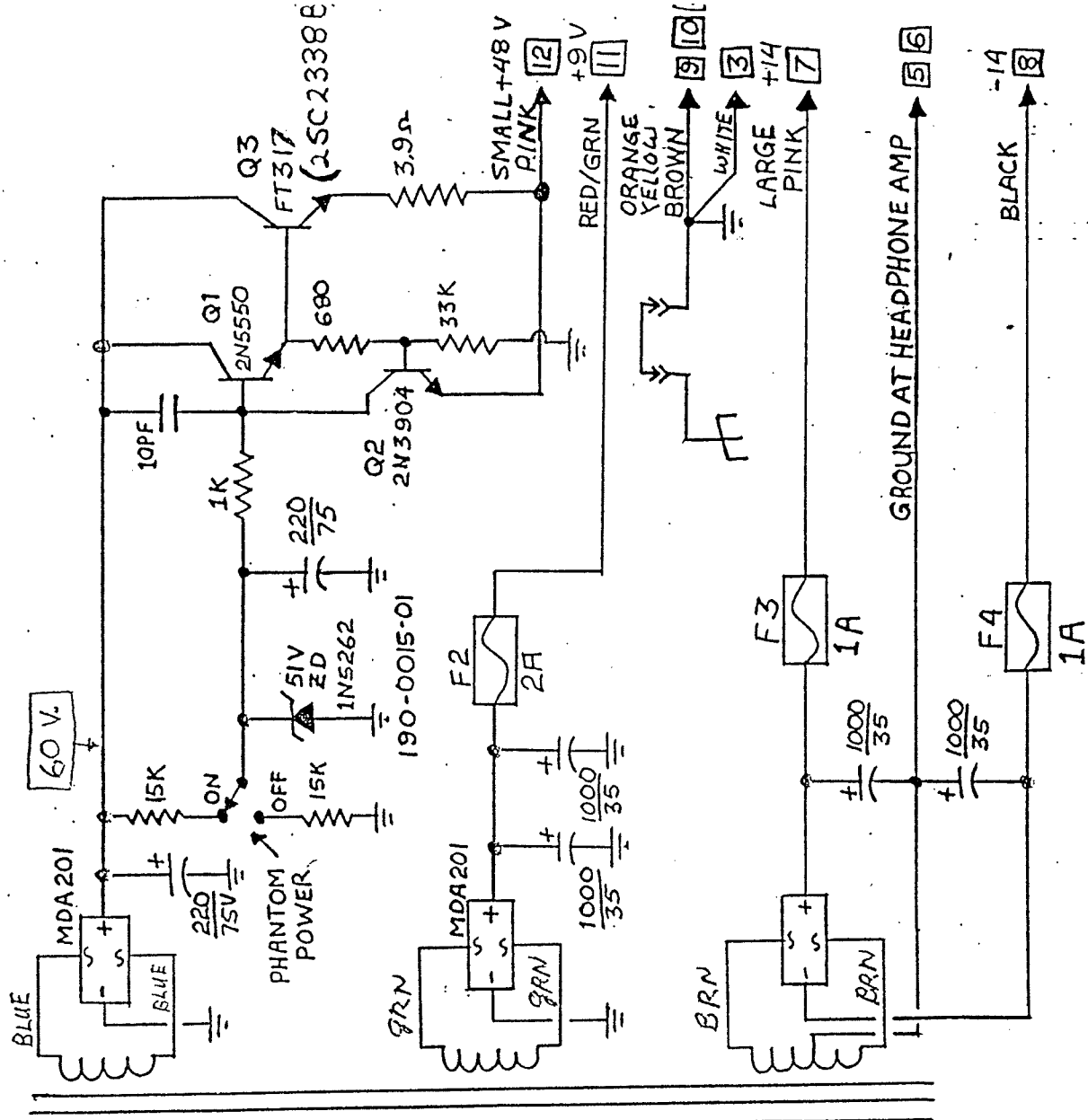
15V UNREGULATED



HEAT SINK SEMICONDUCTOR
 PIU LAYOUT FRONT VIEW

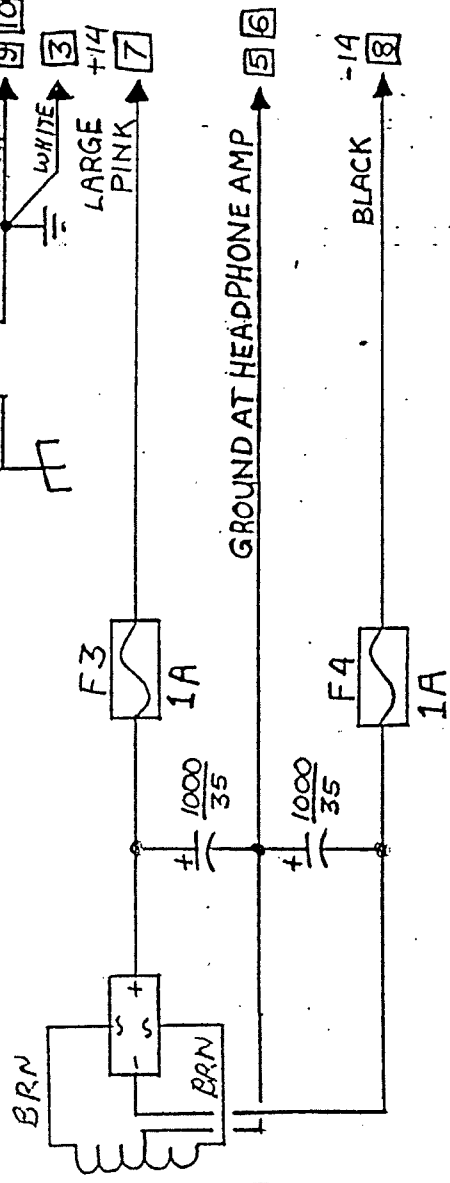


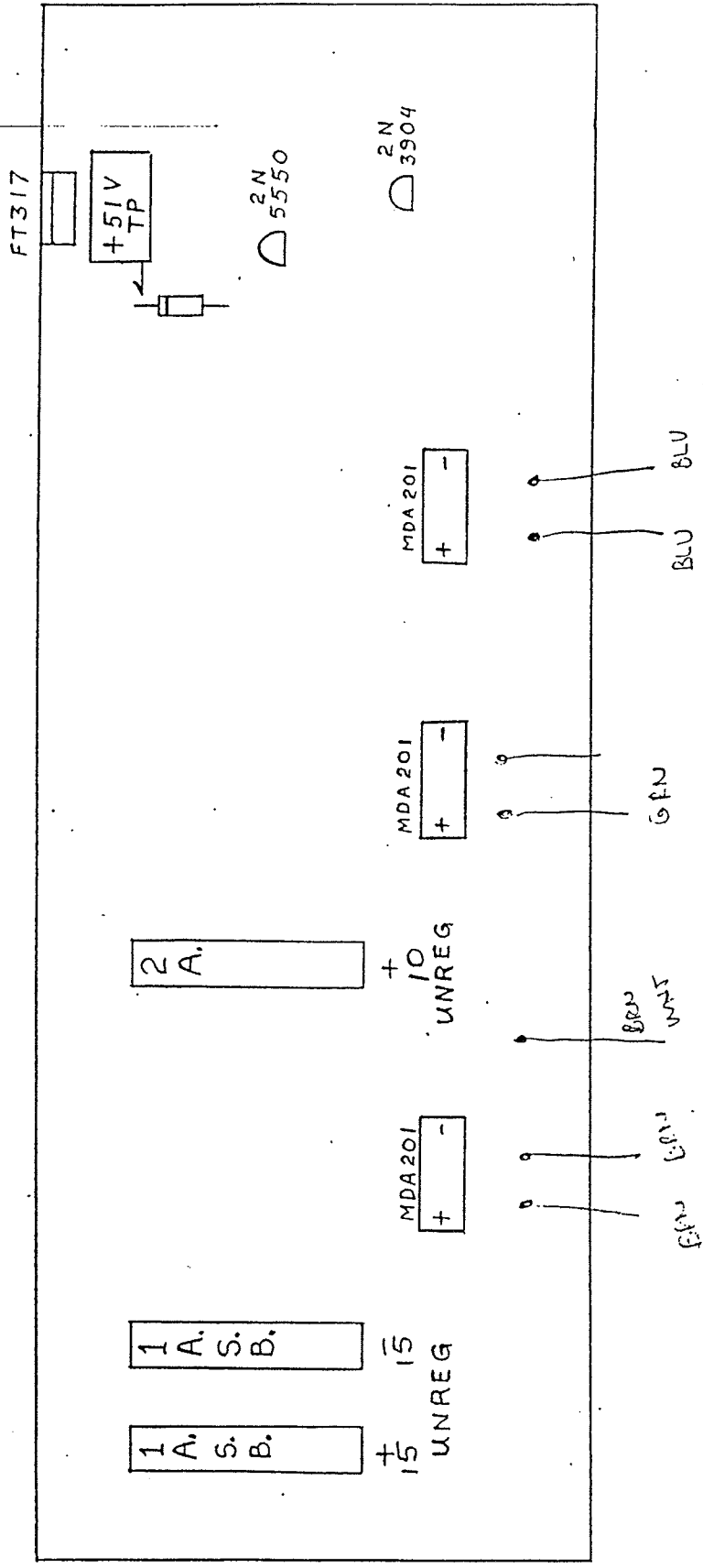
BIAMP SYSTEMS
 MODEL 42 PWR SUPPLY
 QC REFERENCE DRAWING
 JAN 2 1980
 DRAWN BY J DUNN
 REVISION 0



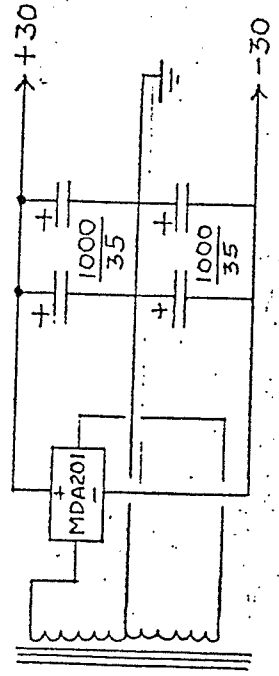
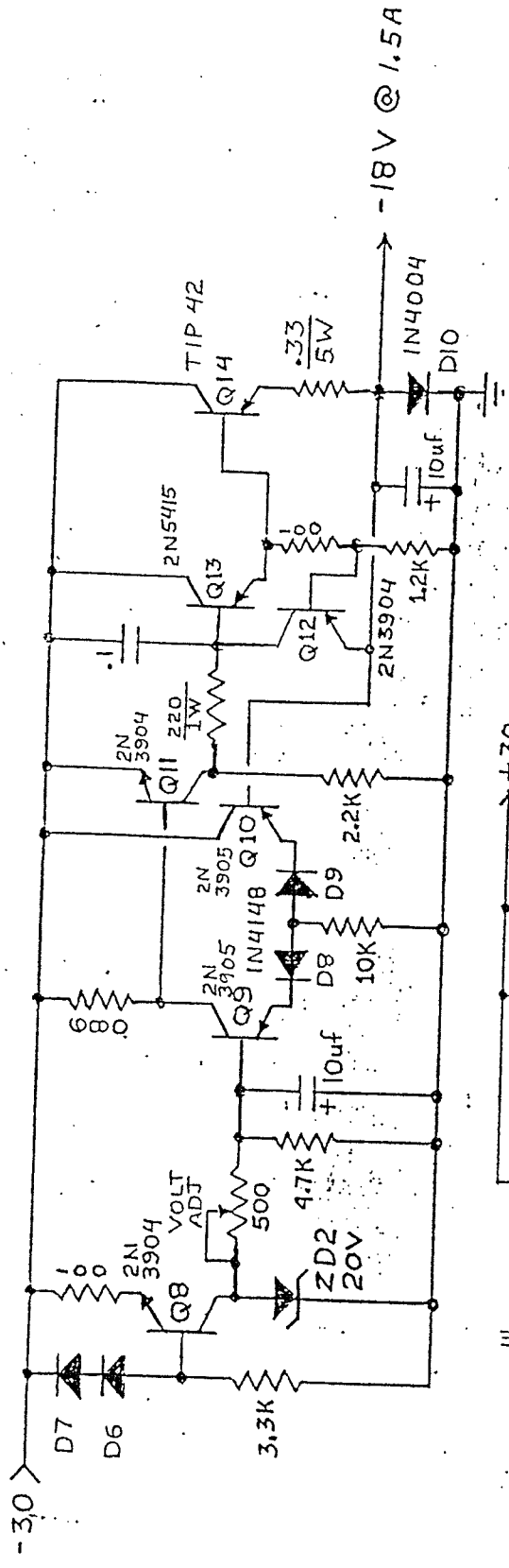
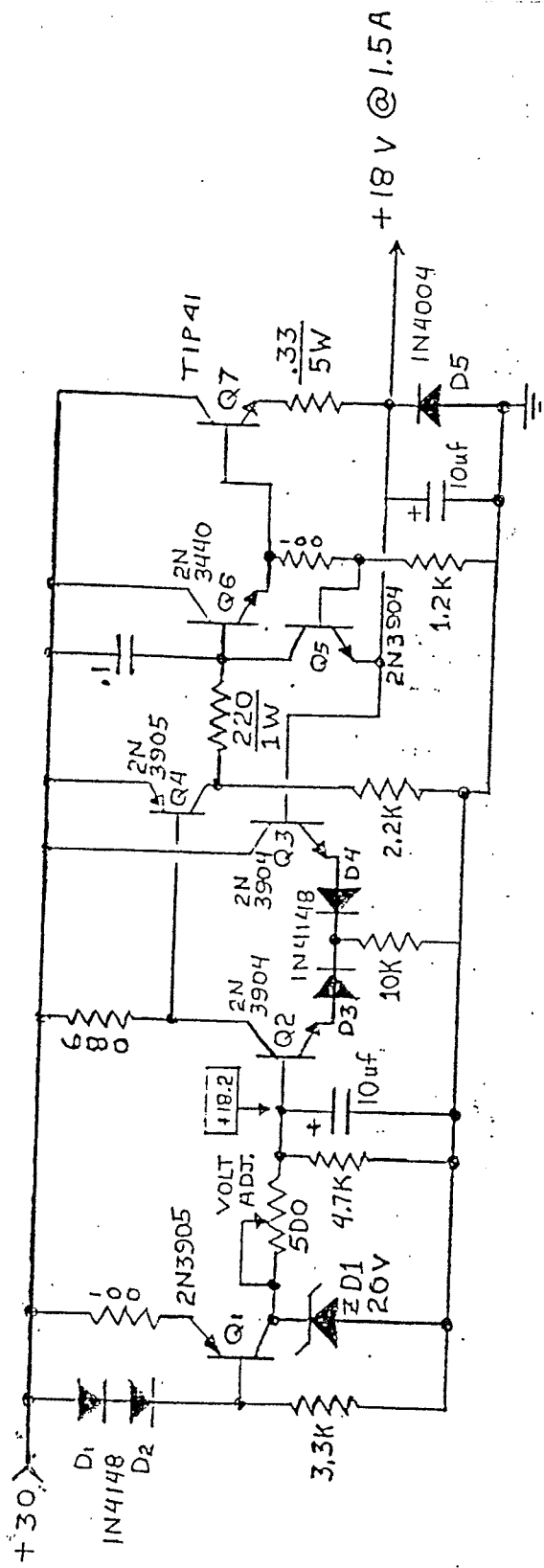
F1 RATING	
100	2 A
120	
200	
240	1 A

48 V. BOARD
2442 P.S.
DRAWN BY T.H.
2-12-81



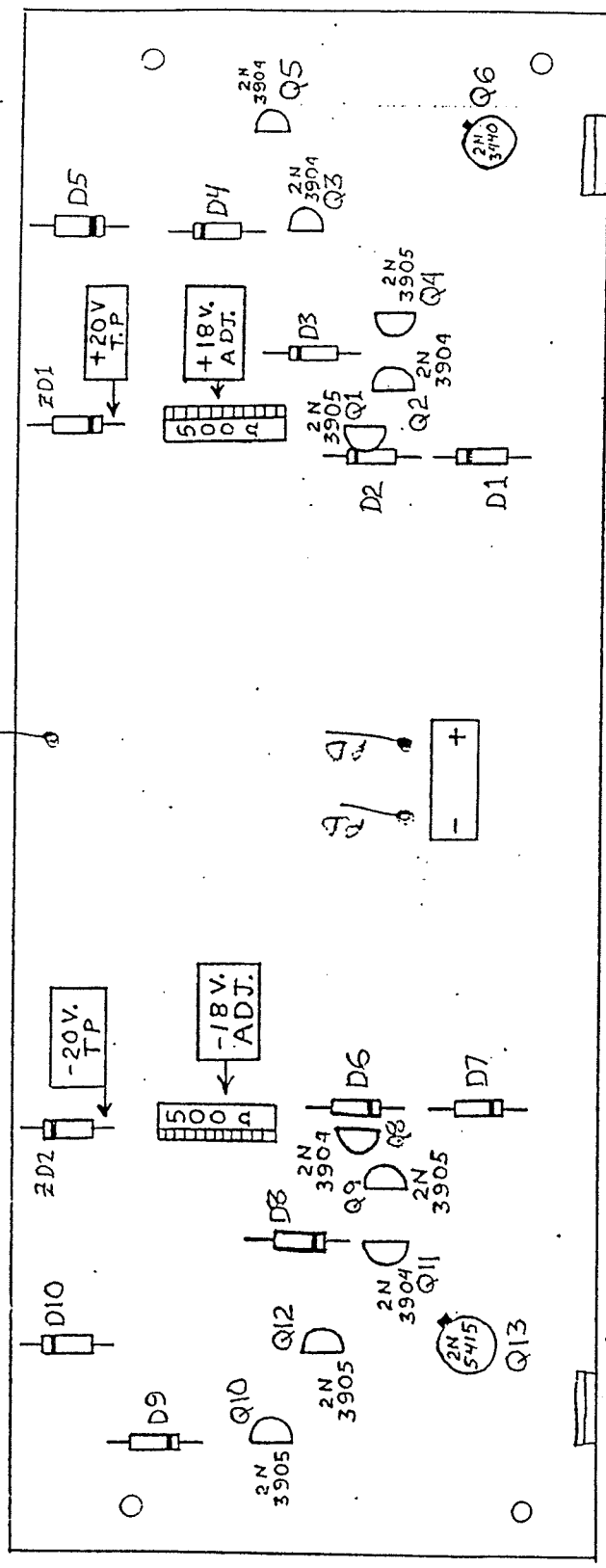


2442 PS 48 V. REG
 COMPONENT SIDE
 DRAWN BY T.H
 7-14-80



42 PS ±18V REG
 I-16-80
 DRAWN BY T.H.

KD-76L



2442 POWER SUPPLY
 +/- 18 V. REG BOARD
 COMPONENT SIDE

DRAWN BY T. H.
 7-10-80

POWER SUPPLY

ROUND CABLE CONNECTOR

<u>Pin</u>	<u>Color</u>	<u>Use</u>
1	Blue	-18
2	Red	+18
3	White	Signal Gnd
4	Tan	Signal Gnd
5	Green	Headphone Gnd
6	Gray	Headphone Gnd
7	Pink	+15
8	Black	-15
9	Orange	LED Gnd
10	Yellow	LED Gnd
11	Red/Green	+6.5
12	Brown	+48

MOLEX CONNECTOR - numbered from rear of P.C. board

<u>Pin</u>	<u>Color</u>	<u>Use</u>
1	Red	+18
2	Blue	-18
3	White	Signal Gnd
4	Tan	Signal Gnd
5	Brown	+48
6	Red/Green	+6.5
7	Orange	LED Gnd
8	Yellow	LED Gnd
9	Pink	+15
10	Green	Headphone Gnd
11	Gray	Headphone Gnd
12	Black	-15