

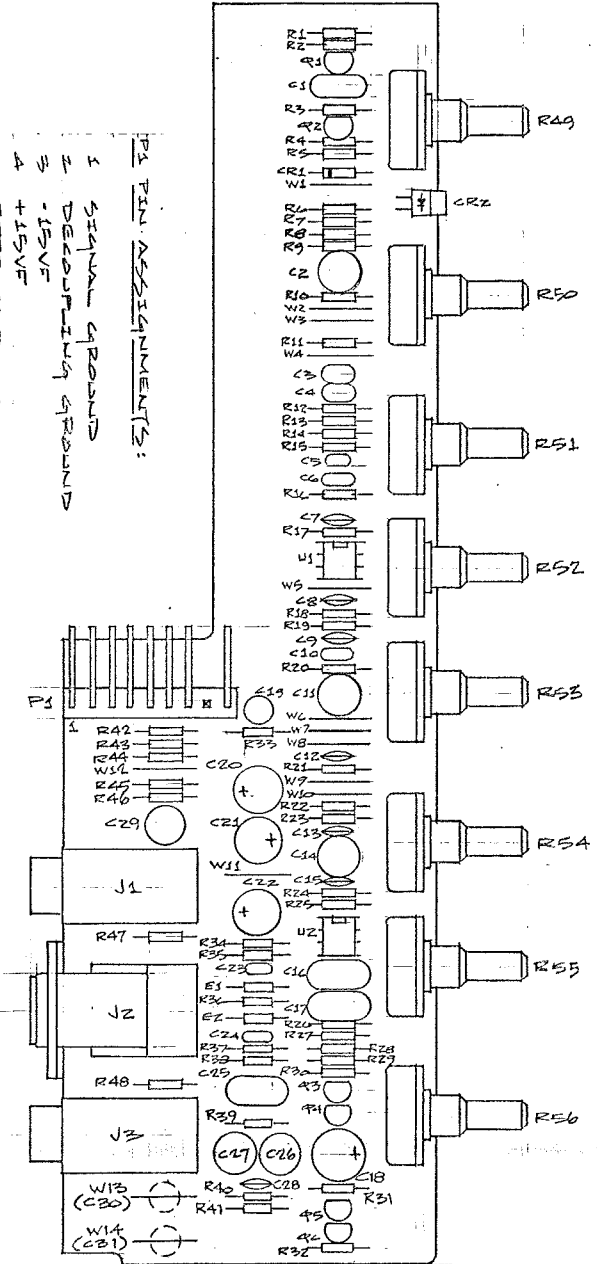
83 B Series

# Schematic

**B I A M P**<sup>®</sup>  
S Y S T E M S

10074 SW Arctic Drive      Beaverton, OR 97005      503-641-7287

THIS DRAWING IS THE PROPERTY OF BIAMP SYSTEMS INC., AND MUST BE RETURNED WITHOUT DUPLICATING AT ANY TIME, ON REQUEST, WHILE IN THE POSSESSION OF THE RECIPIENT. IT MUST BE PROTECTED AGAINST DISCLOSURE TO ANYONE EXCEPT THOSE EMPLOYEES WHO REQUIRE IT FOR THE WORK OR JOB. THE RECIPIENT AND THE EMPLOYER SHALL BE RESPONSIBLE FOR THE PROTECTION OF THIS DRAWING AND OF THE INFORMATION CONTAINED HEREON.



**PI PIN ASSIGNMENTS:**

- 1 SIGNAL GROUND
- 2 DECOUPLING GROUND
- 3 -15V
- 4 +15V
- 5 EFFECTS BUSS
- 6 SUB 1 BUSS
- 7 SUB 2 BUSS
- 8 VOID
- 9 MONITOR BUSS

**NOTES:**

1. TOPS OF R1-6 3/8" ABOVE BOARD.
2. ALL OTHER COMPONENTS SEATED ON BOARD.
3. ADD R34, R35, R37, & C22 FOR PHANTOM POWER. REMOVE JUMPERS W13 & W14, REPLACE WITH C30 & C31 FOR PHANTOM POWER.

ITEM	PART NO.	DATE	DESCRIPTION	SIZE	QTY.
<b>BIAMP SYSTEMS INC.</b> INPUT PCB ASSEMBLY A1					
UNLESS OTHERWISE SPECIFIED, DIMENSIONS ARE IN INCHES. TOLERANCES ARE:		DRAWN: <i>VC</i>	DATE: 11/9/81		
DECIMALS FRACTIONS ANGLES MATERIAL FLATNESS		CHECKED: <i>VC</i>	12/28/81		
.XXX ±		DESIGNED BY: <i>VC</i>	ENGINEER		
MATERIAL		APPROVED: <i>VC</i>	DATE: 2/21/81		
FINISH		SCALE: 1X	DO NOT SCALE DRAWING		
MODEL		SIZE: B	DWG. NO.		
APPLICATION		YES	NO		
NEXT DWG.		BREAK SHARP EDGES .45° CHAMFER ON RADII .010 MAX.			

REV.	E.C.O.	CHANGE	DATE	BY
B	035-82	ELIMINATE PHANTOM OUT DWG. ADD NOTE 3.	2/82	L

A

B

C

D

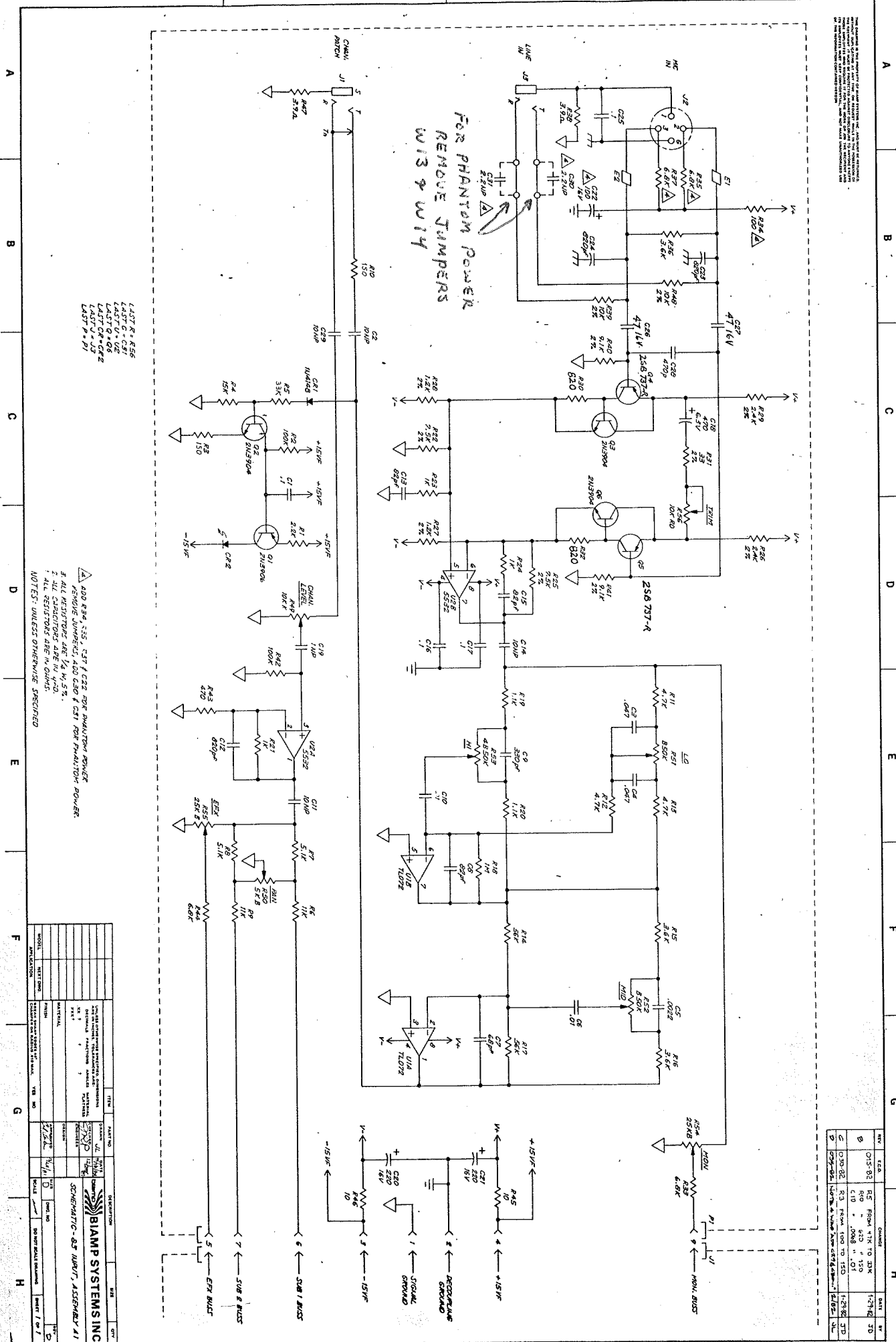
2

2

1

1

REVISIONS TO THIS DRAWING: 1. REVISED TO SHOW THE PHANTOM POWER REMOVAL SWITCH AND WIRING. 2. REVISED TO SHOW THE PHANTOM POWER REMOVAL SWITCH AND WIRING. 3. REVISED TO SHOW THE PHANTOM POWER REMOVAL SWITCH AND WIRING. 4. REVISED TO SHOW THE PHANTOM POWER REMOVAL SWITCH AND WIRING.

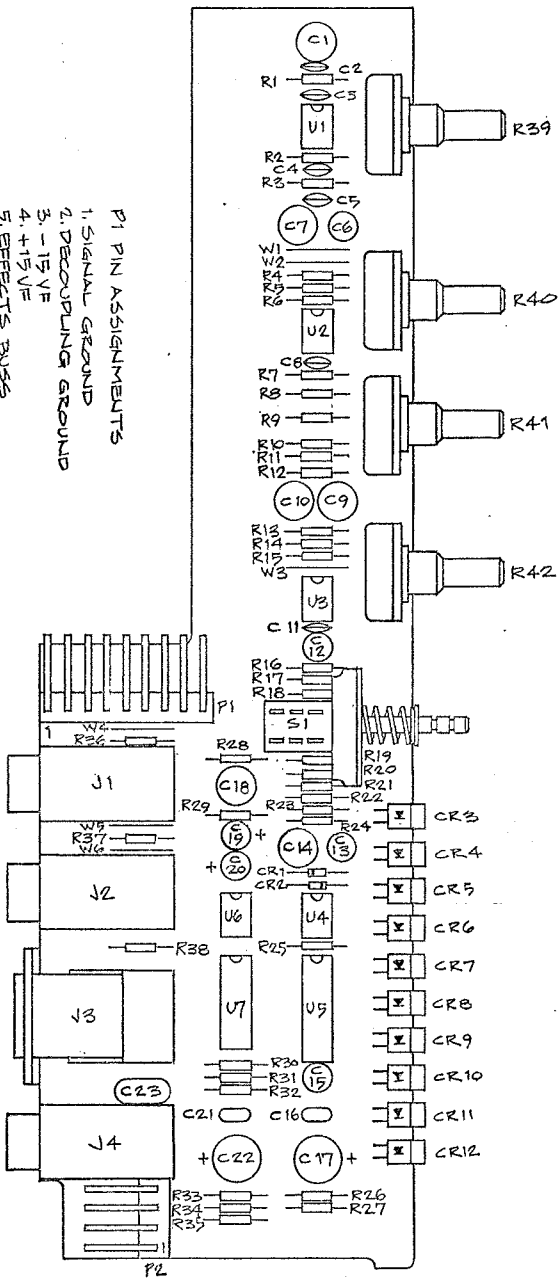


- 1. LAST R-855
- 2. LAST C-81
- 3. LAST U-128
- 4. LAST Q-68
- 5. LAST P-21

ADD R24, C15, C17, C22 FOR PHANTOM POWER REMOVAL SWITCH. ADD C20, C21 FOR PHANTOM POWER. ALL RESISTORS ARE 1/4 W, 5%. ALL CAPACITORS ARE 1/4 W, 5%. ALL RESISTORS ARE IN OHMS. NOTES: UNLESS OTHERWISE SPECIFIED

REV.	DATE	DESCRIPTION	BY	CHKD.
1	1/15/68	SCHEMATIC - 25 INVERTER ASSEMBLY A1		
2	1/15/68			
3	1/15/68			
4	1/15/68			

THIS DRAWING IS THE PROPERTY OF BIAMP SYSTEMS INC., AND MUST BE RETURNED WITHOUT DUPLICATING AT ANY TIME, ON REQUEST, WHILE IN THE POSSESSION OF THE RECIPIENT. IT MUST BE PROTECTED AGAINST DISCLOSURE TO ANYONE EXCEPT THOSE EMPLOYEES WHO REQUIRE IT FOR THE WORK OR JOB. THE RECIPIENT AND THE SUPPLIER SHALL BE RESPONSIBLE FOR THE PROTECTION, AND NOT MAKE UNAUTHORIZED USE OF THE INFORMATION OBTAINED HEREON.



- P1 PIN ASSIGNMENTS
1. SIGNAL GROUND
  2. DECOUPLING GROUND
  3. -15 V<sub>F</sub>
  4. +15 V<sub>F</sub>
  5. EFFECTS BUSS
  6. SUB 1 BUSS
  7. SUB 2 BUSS
  8. MAIN BUSS
  9. REVERSE SEND

- P2 PIN ASSIGNMENTS
1. MAIN OUT
  2. +15V<sub>F</sub>
  3. -9V<sub>F</sub>
  4. BLANK

ITEM		PART NO.		DATE		DESCRIPTION		SIZE	QTY.
		DRAWN JL		12/17/61		BIAMP SYSTEMS INC.			
		CHECKED JRP		12/29/61		ASSEMBLY - 683 SUB 1, A2			
		ENGINEER							
		DESIGN							
UNLESS OTHERWISE SPECIFIED, DIMENSIONS ARE IN INCHES. TOLERANCES ARE: DECIMALS FRACTIONS ANGLES MATERIAL FLATNESS		FINISH		APPROVED		SCALE FULL		DO NOT SCALE DRAWING	SHEET 1 OF 1
.XXX ±		BREAK SHARP EDGES .45° CHAMFER ON RADII .30" MAX.		12/29/61		B		REV. A	
MODEL		NEXT DWG.		SIZE		DWG. NO.		REV.	
APPLICATION		YES NO		SCALE FULL		DO NOT SCALE DRAWING		SHEET 1 OF 1	

A

B

C

D

A

B

C

D

REV.	E.C.O.	CHANGE	DATE	BY

2

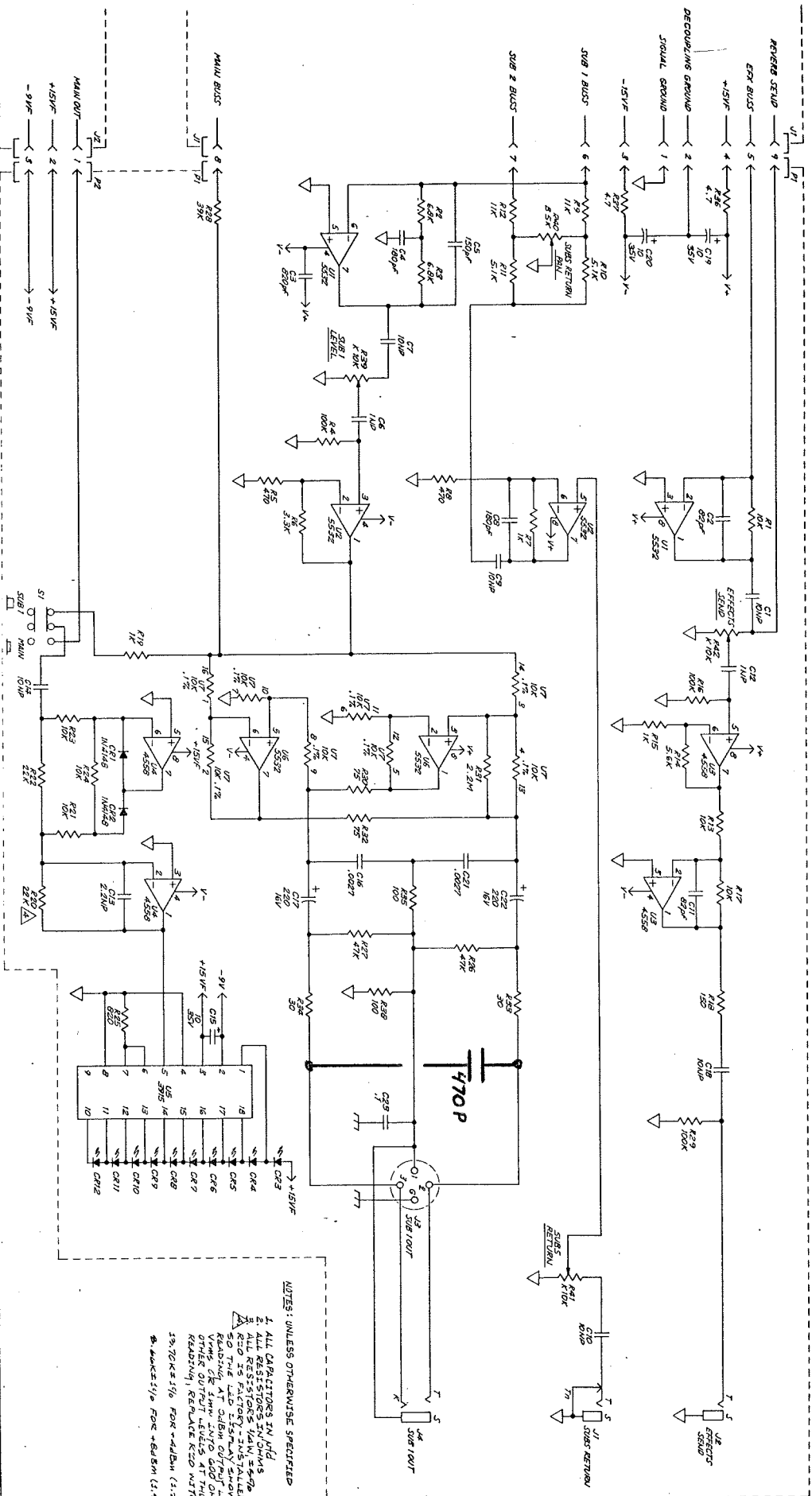
1

2

1

3

THIS SCHEMATIC IS THE PROPERTY OF BAMP SYSTEMS INC. IT IS TO BE USED ONLY FOR THE PROJECT AND FOR THE QUANTITY SPECIFIED. IT IS NOT TO BE REPRODUCED OR TRANSMITTED IN ANY FORM OR BY ANY MEANS, ELECTRONIC OR MECHANICAL, INCLUDING PHOTOCOPYING, RECORDING, OR BY ANY INFORMATION STORAGE AND RETRIEVAL SYSTEM. WITHOUT THE WRITTEN PERMISSION OF BAMP SYSTEMS INC.



- NOTES: UNLESS OTHERWISE SPECIFIED
1. ALL CAPACITORS IN  $\mu$ F
  2. ALL RESISTORS IN  $\Omega$  UNLESS OTHERWISE SPECIFIED
  3. ALL RESISTORS IN  $\Omega$  UNLESS OTHERWISE SPECIFIED
  4. ALL RESISTORS IN  $\Omega$  UNLESS OTHERWISE SPECIFIED
  5. ALL RESISTORS IN  $\Omega$  UNLESS OTHERWISE SPECIFIED
  6. ALL RESISTORS IN  $\Omega$  UNLESS OTHERWISE SPECIFIED
  7. ALL RESISTORS IN  $\Omega$  UNLESS OTHERWISE SPECIFIED
  8. ALL RESISTORS IN  $\Omega$  UNLESS OTHERWISE SPECIFIED
  9. ALL RESISTORS IN  $\Omega$  UNLESS OTHERWISE SPECIFIED
  10. ALL RESISTORS IN  $\Omega$  UNLESS OTHERWISE SPECIFIED
  11. ALL RESISTORS IN  $\Omega$  UNLESS OTHERWISE SPECIFIED
  12. ALL RESISTORS IN  $\Omega$  UNLESS OTHERWISE SPECIFIED
  13. ALL RESISTORS IN  $\Omega$  UNLESS OTHERWISE SPECIFIED
  14. ALL RESISTORS IN  $\Omega$  UNLESS OTHERWISE SPECIFIED
  15. ALL RESISTORS IN  $\Omega$  UNLESS OTHERWISE SPECIFIED
  16. ALL RESISTORS IN  $\Omega$  UNLESS OTHERWISE SPECIFIED
  17. ALL RESISTORS IN  $\Omega$  UNLESS OTHERWISE SPECIFIED
  18. ALL RESISTORS IN  $\Omega$  UNLESS OTHERWISE SPECIFIED
  19. ALL RESISTORS IN  $\Omega$  UNLESS OTHERWISE SPECIFIED
  20. ALL RESISTORS IN  $\Omega$  UNLESS OTHERWISE SPECIFIED
  21. ALL RESISTORS IN  $\Omega$  UNLESS OTHERWISE SPECIFIED
  22. ALL RESISTORS IN  $\Omega$  UNLESS OTHERWISE SPECIFIED
  23. ALL RESISTORS IN  $\Omega$  UNLESS OTHERWISE SPECIFIED
  24. ALL RESISTORS IN  $\Omega$  UNLESS OTHERWISE SPECIFIED
  25. ALL RESISTORS IN  $\Omega$  UNLESS OTHERWISE SPECIFIED
  26. ALL RESISTORS IN  $\Omega$  UNLESS OTHERWISE SPECIFIED
  27. ALL RESISTORS IN  $\Omega$  UNLESS OTHERWISE SPECIFIED
  28. ALL RESISTORS IN  $\Omega$  UNLESS OTHERWISE SPECIFIED
  29. ALL RESISTORS IN  $\Omega$  UNLESS OTHERWISE SPECIFIED
  30. ALL RESISTORS IN  $\Omega$  UNLESS OTHERWISE SPECIFIED
  31. ALL RESISTORS IN  $\Omega$  UNLESS OTHERWISE SPECIFIED
  32. ALL RESISTORS IN  $\Omega$  UNLESS OTHERWISE SPECIFIED
  33. ALL RESISTORS IN  $\Omega$  UNLESS OTHERWISE SPECIFIED
  34. ALL RESISTORS IN  $\Omega$  UNLESS OTHERWISE SPECIFIED
  35. ALL RESISTORS IN  $\Omega$  UNLESS OTHERWISE SPECIFIED
  36. ALL RESISTORS IN  $\Omega$  UNLESS OTHERWISE SPECIFIED
  37. ALL RESISTORS IN  $\Omega$  UNLESS OTHERWISE SPECIFIED
  38. ALL RESISTORS IN  $\Omega$  UNLESS OTHERWISE SPECIFIED
  39. ALL RESISTORS IN  $\Omega$  UNLESS OTHERWISE SPECIFIED
  40. ALL RESISTORS IN  $\Omega$  UNLESS OTHERWISE SPECIFIED
  41. ALL RESISTORS IN  $\Omega$  UNLESS OTHERWISE SPECIFIED
  42. ALL RESISTORS IN  $\Omega$  UNLESS OTHERWISE SPECIFIED
  43. ALL RESISTORS IN  $\Omega$  UNLESS OTHERWISE SPECIFIED
  44. ALL RESISTORS IN  $\Omega$  UNLESS OTHERWISE SPECIFIED
  45. ALL RESISTORS IN  $\Omega$  UNLESS OTHERWISE SPECIFIED
  46. ALL RESISTORS IN  $\Omega$  UNLESS OTHERWISE SPECIFIED
  47. ALL RESISTORS IN  $\Omega$  UNLESS OTHERWISE SPECIFIED
  48. ALL RESISTORS IN  $\Omega$  UNLESS OTHERWISE SPECIFIED
  49. ALL RESISTORS IN  $\Omega$  UNLESS OTHERWISE SPECIFIED
  50. ALL RESISTORS IN  $\Omega$  UNLESS OTHERWISE SPECIFIED
  51. ALL RESISTORS IN  $\Omega$  UNLESS OTHERWISE SPECIFIED
  52. ALL RESISTORS IN  $\Omega$  UNLESS OTHERWISE SPECIFIED
  53. ALL RESISTORS IN  $\Omega$  UNLESS OTHERWISE SPECIFIED
  54. ALL RESISTORS IN  $\Omega$  UNLESS OTHERWISE SPECIFIED
  55. ALL RESISTORS IN  $\Omega$  UNLESS OTHERWISE SPECIFIED
  56. ALL RESISTORS IN  $\Omega$  UNLESS OTHERWISE SPECIFIED
  57. ALL RESISTORS IN  $\Omega$  UNLESS OTHERWISE SPECIFIED
  58. ALL RESISTORS IN  $\Omega$  UNLESS OTHERWISE SPECIFIED
  59. ALL RESISTORS IN  $\Omega$  UNLESS OTHERWISE SPECIFIED
  60. ALL RESISTORS IN  $\Omega$  UNLESS OTHERWISE SPECIFIED
  61. ALL RESISTORS IN  $\Omega$  UNLESS OTHERWISE SPECIFIED
  62. ALL RESISTORS IN  $\Omega$  UNLESS OTHERWISE SPECIFIED
  63. ALL RESISTORS IN  $\Omega$  UNLESS OTHERWISE SPECIFIED
  64. ALL RESISTORS IN  $\Omega$  UNLESS OTHERWISE SPECIFIED
  65. ALL RESISTORS IN  $\Omega$  UNLESS OTHERWISE SPECIFIED
  66. ALL RESISTORS IN  $\Omega$  UNLESS OTHERWISE SPECIFIED
  67. ALL RESISTORS IN  $\Omega$  UNLESS OTHERWISE SPECIFIED
  68. ALL RESISTORS IN  $\Omega$  UNLESS OTHERWISE SPECIFIED
  69. ALL RESISTORS IN  $\Omega$  UNLESS OTHERWISE SPECIFIED
  70. ALL RESISTORS IN  $\Omega$  UNLESS OTHERWISE SPECIFIED
  71. ALL RESISTORS IN  $\Omega$  UNLESS OTHERWISE SPECIFIED
  72. ALL RESISTORS IN  $\Omega$  UNLESS OTHERWISE SPECIFIED
  73. ALL RESISTORS IN  $\Omega$  UNLESS OTHERWISE SPECIFIED
  74. ALL RESISTORS IN  $\Omega$  UNLESS OTHERWISE SPECIFIED
  75. ALL RESISTORS IN  $\Omega$  UNLESS OTHERWISE SPECIFIED
  76. ALL RESISTORS IN  $\Omega$  UNLESS OTHERWISE SPECIFIED
  77. ALL RESISTORS IN  $\Omega$  UNLESS OTHERWISE SPECIFIED
  78. ALL RESISTORS IN  $\Omega$  UNLESS OTHERWISE SPECIFIED
  79. ALL RESISTORS IN  $\Omega$  UNLESS OTHERWISE SPECIFIED
  80. ALL RESISTORS IN  $\Omega$  UNLESS OTHERWISE SPECIFIED
  81. ALL RESISTORS IN  $\Omega$  UNLESS OTHERWISE SPECIFIED
  82. ALL RESISTORS IN  $\Omega$  UNLESS OTHERWISE SPECIFIED
  83. ALL RESISTORS IN  $\Omega$  UNLESS OTHERWISE SPECIFIED
  84. ALL RESISTORS IN  $\Omega$  UNLESS OTHERWISE SPECIFIED
  85. ALL RESISTORS IN  $\Omega$  UNLESS OTHERWISE SPECIFIED
  86. ALL RESISTORS IN  $\Omega$  UNLESS OTHERWISE SPECIFIED
  87. ALL RESISTORS IN  $\Omega$  UNLESS OTHERWISE SPECIFIED
  88. ALL RESISTORS IN  $\Omega$  UNLESS OTHERWISE SPECIFIED
  89. ALL RESISTORS IN  $\Omega$  UNLESS OTHERWISE SPECIFIED
  90. ALL RESISTORS IN  $\Omega$  UNLESS OTHERWISE SPECIFIED
  91. ALL RESISTORS IN  $\Omega$  UNLESS OTHERWISE SPECIFIED
  92. ALL RESISTORS IN  $\Omega$  UNLESS OTHERWISE SPECIFIED
  93. ALL RESISTORS IN  $\Omega$  UNLESS OTHERWISE SPECIFIED
  94. ALL RESISTORS IN  $\Omega$  UNLESS OTHERWISE SPECIFIED
  95. ALL RESISTORS IN  $\Omega$  UNLESS OTHERWISE SPECIFIED
  96. ALL RESISTORS IN  $\Omega$  UNLESS OTHERWISE SPECIFIED
  97. ALL RESISTORS IN  $\Omega$  UNLESS OTHERWISE SPECIFIED
  98. ALL RESISTORS IN  $\Omega$  UNLESS OTHERWISE SPECIFIED
  99. ALL RESISTORS IN  $\Omega$  UNLESS OTHERWISE SPECIFIED
  100. ALL RESISTORS IN  $\Omega$  UNLESS OTHERWISE SPECIFIED

- LAST P = R42
- LAST C = G23
- LAST U = U7
- LAST CR = CR12
- LAST J = J4
- LAST P = P2

REV	DATE	BY	CHKD	DESCRIPTION
1				
2				
3				
4				

SCHEMATIC FOR SUB 1, ASSEMBLY A2

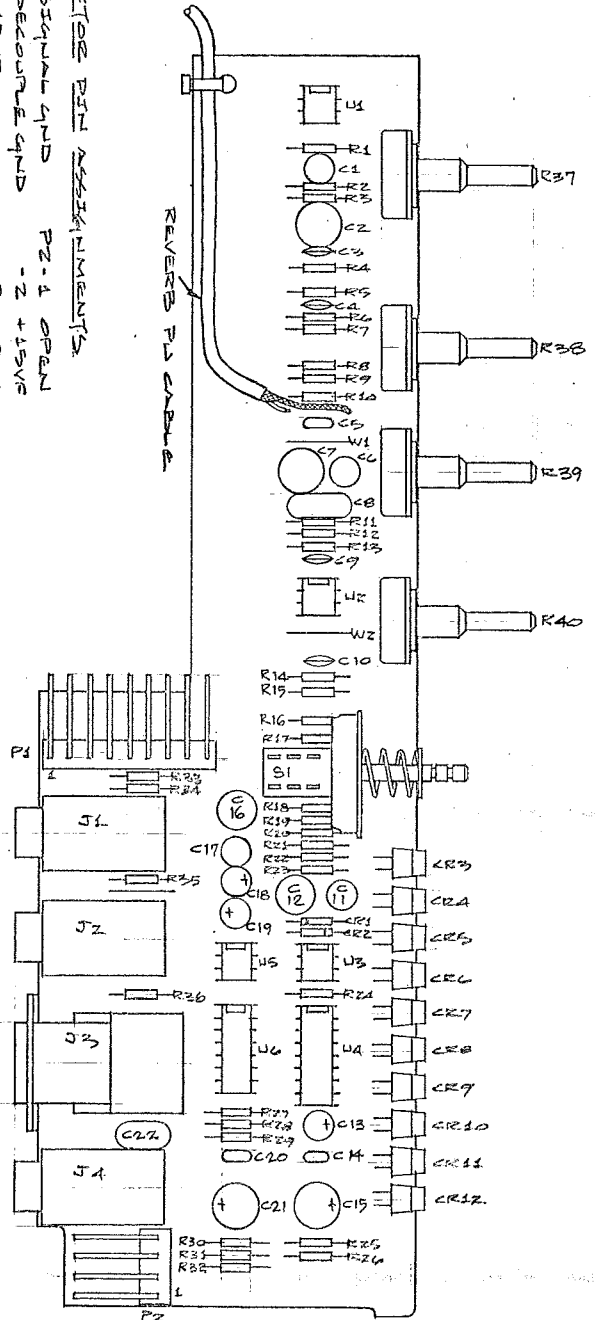
DATE: 1/1/62

BY: [Signature]

CHKD: [Signature]

APP. [Signature]

THIS DRAWING IS THE PROPERTY OF BIAMP SYSTEMS INC., AND MUST BE RETURNED, WITHOUT DUPLICATING AT ANY TIME, ON REQUEST, WHILE IN THE POSSESSION OF THE DRAWING. IT MUST BE PROTECTED AGAINST DISCLOSURE TO ANYONE EXCEPT THE PERSONS AUTHORIZED TO RECEIVE IT. BIAMP SYSTEMS INC. AND ALL ITS EMPLOYEES MUST KEEP CONFIDENTIAL, AND NOT MAKE UNAUTHORIZED USE OF, THE INFORMATION CONTAINED HEREON.



- CONNECTOR P13 ASSIGNMENTS
- P1-1 SIGNAL GND
  - 2 RETURN GND
  - 3 -15V
  - 4 +15V
  - 5 EFFECTS BUSS
  - 6 SUB 1 BUSS
  - 7 SUB 2 BUSS
  - 8 MAIN BUSS
  - 9 NON REVERSE
- P2-1 OPEN
  - 2 +15V
  - 3 -9V
  - 4 NON OUT

ITEM		PART NO.	DESCRIPTION	SIZE	QTY.
 <b>BIAMP SYSTEMS INC.</b>					
2/83 SUB 2 PCB ASSEMBLY A3					
UNLESS OTHERWISE SPECIFIED, DIMENSIONS ARE IN INCHES. TOLERANCES ARE: DECIMALS FRACTIONS ANGLES MATERIAL FLATNESS .XX ± .XXX ±			DRAWN: [Signature] CHECKED: [Signature] ENGINEER: [Signature]		
FINISH: BREAK SHARP EDGES 45° CHAMFER ON RADII 0.10 MAX.			APPROVED: [Signature] DATE: 12/29/81		
MODEL: NEXT DWG.		YES NO		SCALE: 1X DO NOT SCALE DRAWING	
APPLICATION:		SHEET 1 OF 1			

A

B

C

D

A

B

C

D

REV.

E.C.O.

CHANGE

DATE

BY

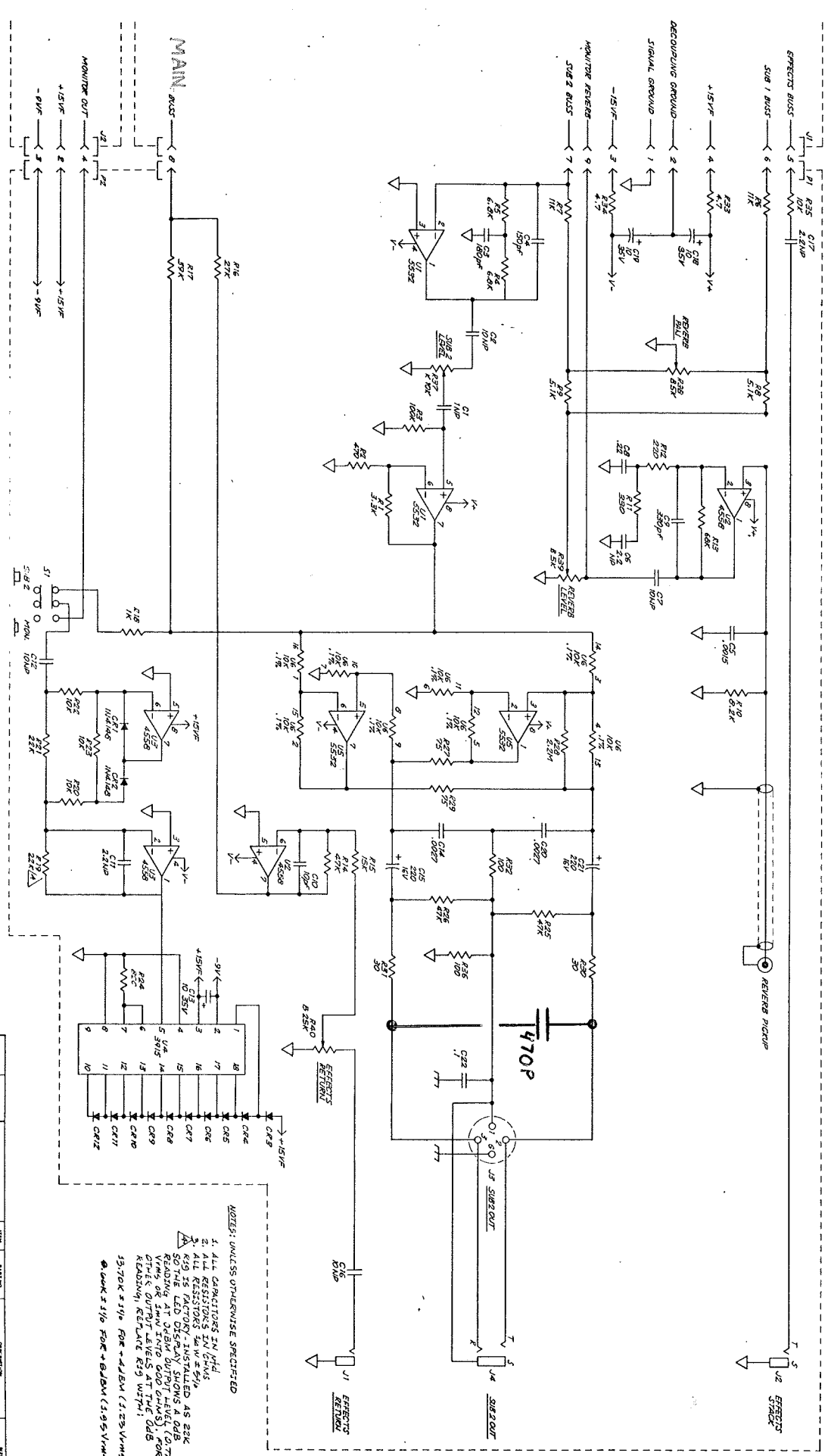
2

1

2

1

THIS DRAWING IS THE PROPERTY OF BUSH BROS. INC. AND SHOULD BE KEPT IN CONFIDENCE. IT IS TO BE USED ONLY FOR THE PURPOSES AUTHORIZED BY BUSH BROS. INC. AND IS NOT TO BE REPRODUCED OR TRANSMITTED IN ANY FORM OR BY ANY MEANS, ELECTRONIC OR MECHANICAL, INCLUDING PHOTOCOPYING, RECORDING, OR BY ANY INFORMATION STORAGE AND RETRIEVAL SYSTEM, WITHOUT THE WRITTEN PERMISSION OF BUSH BROS. INC.



LAST 2 + READ  
 LAST 3 + READ  
 LAST 4 + READ  
 LAST 5 + READ  
 LAST 6 + READ  
 LAST 7 + READ  
 LAST 8 + READ

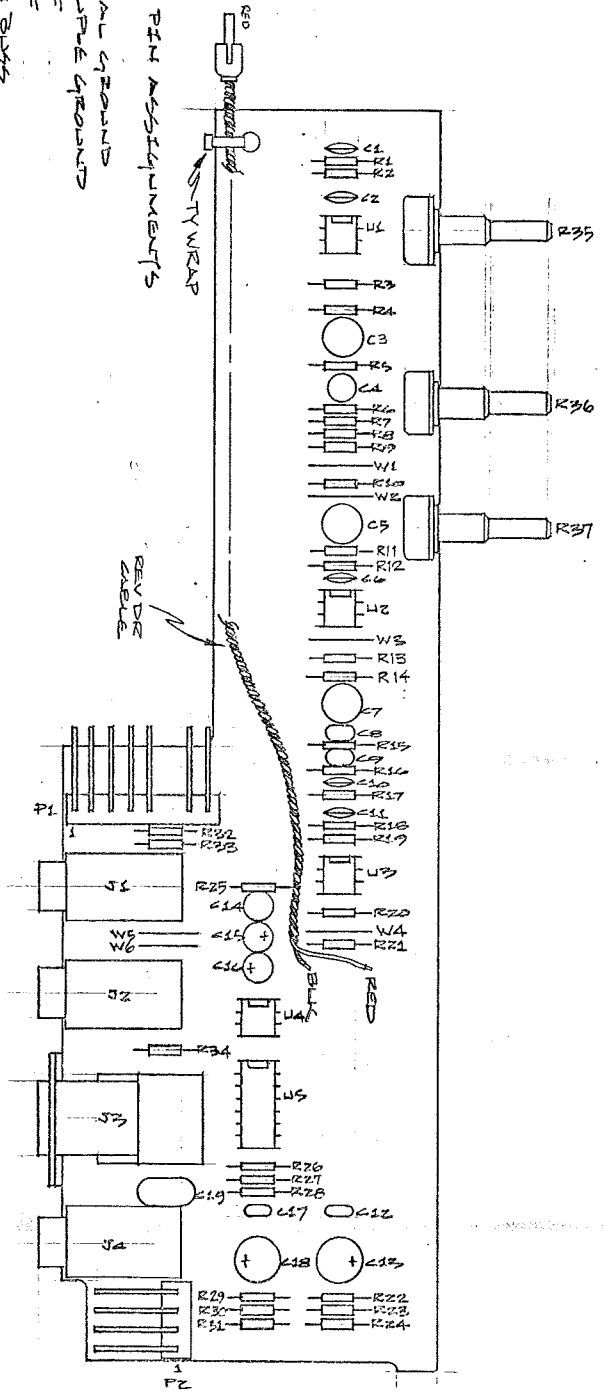
NOTES: UNLESS OTHERWISE SPECIFIED  
 1. ALL CAPACITORS IN CHD  
 2. ALL RESISTORS IN CHD  
 3. ALL RESISTORS IN CHD  
 4. R59 IS FACTORY-INSTALLED AS 22K  
 500K LEAD DISCRETE SHOWN AS 22K  
 500K IN CHD (100 OHMS IN CHD 375  
 OHMS OR 500 OHMS IN CHD 375  
 OHMS) FOR R59  
 13.70K ± 1% FOR +ADJW (3.25Vrms)  
 13.70K ± 1% FOR +ADJW (3.25Vrms)

DATE		REV	
BY		CHK	
APP'D		APP'D	
DATE		REV	
BY		CHK	
APP'D		APP'D	
DATE		REV	
BY		CHK	
APP'D		APP'D	

**BIAMP SYSTEMS INC.**

1370K ± 1% FOR +ADJW (3.25Vrms)

THIS DRAWING IS THE PROPERTY OF BIAMP SYSTEMS INC., AND MUST BE RETURNED, WITHOUT DUPLICATING AT ANY TIME, ON REQUEST, WHILE IN THE POSSESSION OF THE RECIPIENT. IT MUST BE PROTECTED AGAINST DISCLOSURE TO ANYONE EXCEPT THOSE EMPLOYEES WHO REQUIRE IT FOR THE WORK OR JOB. THE RECIPIENT AND HIS EMPLOYER SHALL BE RESPONSIBLE FOR THE PROTECTION OF THIS DRAWING AND OF THE INFORMATION CONTAINED HEREON.



- CONNECTOR PIN ASSIGNMENTS
- 1 SIGNAL GROUND
  - 2 DECOUPLE GROUND
  - 3 +5V
  - 4 +5V
  - 5 MAIN BUS
  - 6 OPEN
  - 7 REVERSE
  - 8 MONITOR BASS
- P2-1 MAIN OUT
- 1 OPEN
  - 2 OPEN
  - 3 OPEN
  - 4 OPEN

ITEM	PART NO.	DESCRIPTION	SIZE	QTY.												
 <b>BIAMP SYSTEMS INC.</b>																
UNLESS OTHERWISE SPECIFIED, DIMENSIONS ARE IN INCHES. TOLERANCES ARE: <table border="0" style="width: 100%;"> <tr> <td>DECIMALS</td> <td>FRACTIONS</td> <td>ANGLES</td> <td>MATERIAL FLATNESS</td> </tr> <tr> <td>.XX ±</td> <td>±</td> <td>±</td> <td>±</td> </tr> <tr> <td>.XXX ±</td> <td></td> <td></td> <td></td> </tr> </table>		DECIMALS	FRACTIONS	ANGLES	MATERIAL FLATNESS	.XX ±	±	±	±	.XXX ±				DRAWN: <i>[Signature]</i> CHECKED: <i>[Signature]</i> ENGINEER: <i>[Signature]</i> DESIGN: <i>[Signature]</i>		
DECIMALS	FRACTIONS	ANGLES	MATERIAL FLATNESS													
.XX ±	±	±	±													
.XXX ±																
MATERIAL		DATE: 5/14/81 DATE: 12/29/81 DATE: 1/25/81														
FINISH		SCALE: 1X DO NOT SCALE DRAWING														
MODEL		SIZE: B DWG. NO.														
NEXT DWG.		SHEET 1 OF 1														
APPLICATION		REV. A														

A

B

C

D

A

B

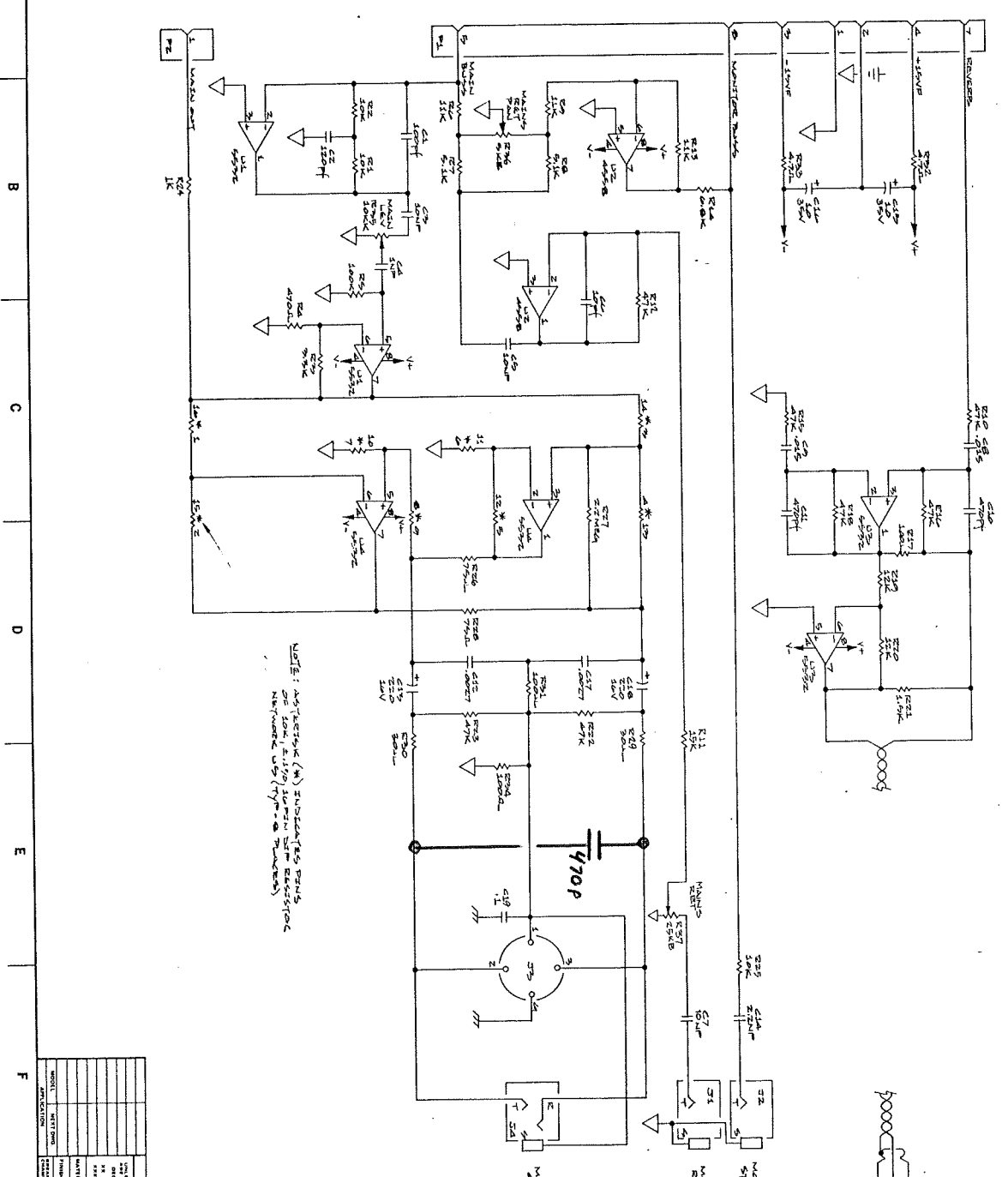
C

D

REV.	E.C.O.	CHANGE	DATE	BY



THIS DRAWING IS THE PROPERTY OF BIAMP SYSTEMS, INC. AND NOT BE LOANED, REPRODUCED, COPIED, REPRODUCED, OR TRANSMITTED IN ANY FORM OR BY ANY MEANS, ELECTRONIC OR MECHANICAL, INCLUDING PHOTOCOPYING, RECORDING, OR BY ANY INFORMATION STORAGE AND RETRIEVAL SYSTEM. ANY UNAUTHORIZED USE OF THIS DRAWING IS PROHIBITED AND WILL BE SUITABLY PENALIZED.

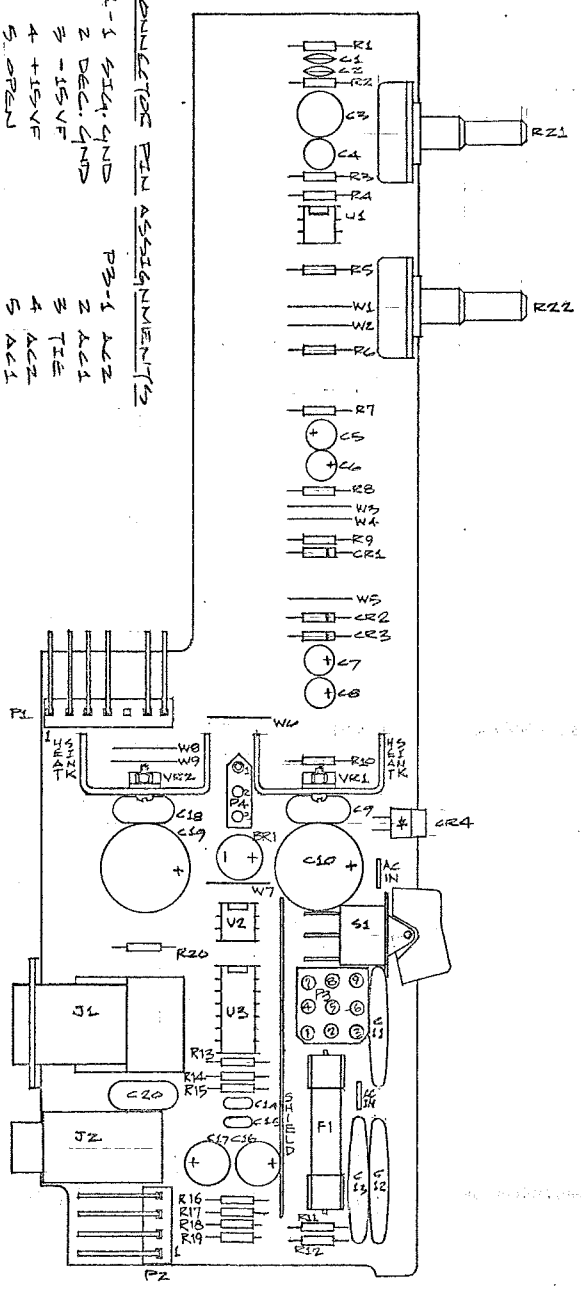


NOTE: 1) ALL RESISTORS (W) SUSCEPTIBLE TO BURN  
 2) ALL CAPACITORS (W) SUSCEPTIBLE TO BURN  
 3) ALL TRANSISTORS (W) SUSCEPTIBLE TO BURN

NOTES:  
 1) UNITS OF RESISTORS SPECIFIED:  
 A. ALL RESISTORS (W) SUSCEPTIBLE TO BURN  
 B. ALL TRANSISTORS (W) SUSCEPTIBLE TO BURN

DATE	11/10/00	BY	...
REV.	01	DESCRIPTION	...
<b>BIAMP SYSTEMS INC.</b> 1000 W. ... ... ...			

THIS DRAWING IS THE PROPERTY OF BIAMP SYSTEMS INC. AND MUST BE RETURNED, WITHOUT DUPLICATING AT ANY TIME, ON REQUEST, WHILE IN THE POSSESSION OF THE RECIPIENT. IT MUST BE PROTECTED AGAINST DISCLOSURE TO ANYONE EXCEPT THOSE EMPLOYEES WHO REQUIRE IT FOR THE WORK OR JOB. THE RECIPIENT AND HIS EMPLOYERS MUST KEEP CONFIDENTIAL, AND NOT MAKE UNAUTHORIZED USE OF THE INFORMATION CONTAINED HEREON.



CONNECTOR PIN ASSIGNMENTS:

- P1-1 SIDE GND
- 2 DEC. GND
- 3 -15V/F
- 4 +15V/F
- 5 OPEN
- 6 MON REV BUSS
- 7 MON BUSS
- P2-1 OPEN
- 2 +15V/F
- 3 -9V/F
- 4 MON OUT BUSS
- P3-1 AC2
- 2 AC1
- 3 TIE
- 4 AC2
- 5 AC1
- 6 TIE
- 7 PARK
- 8 KEY
- 9 PARK
- P4-1 COM
- 2 SEC
- 3 SEC

ITEM	PART NO.	DESCRIPTION	SIZE	QTY.
 <b>BIAMP SYSTEMS INC.</b>				
UNLESS OTHERWISE SPECIFIED, DIMENSIONS ARE IN INCHES. TOLERANCES ARE:		DRAWN: <i>[Signature]</i>	DATE: 5/29/81	
DECIMALS FRACTIONS ANGLES MATERIAL FLATNESS		CHECKED: <i>[Signature]</i>	DATE: 12/29/81	
.XXX ± . ± .		DESIGNER:		
MATERIAL:		APPROVED: <i>[Signature]</i>	DATE: 11/21/81	
FINISH:		SCALE: 1X	DO NOT SCALE DRAWING	SHEET 1 OF 1
MODEL:		BIAMP SYSTEMS INC.	MONITOR PCB ASSEMBLY AS	REV. E
APPLICATION:		BREAK SHARP EDGES 45° CHAMFER OR RADIUS .010 MAX.	YES NO	
NEXT DWG.				

A

B

C

D

A

B

C

D

REV.	E.C.O.	CHANGE	DATE	BY
B	029-82	REVISED PIN ASSIGNMENTS	2/82	JL

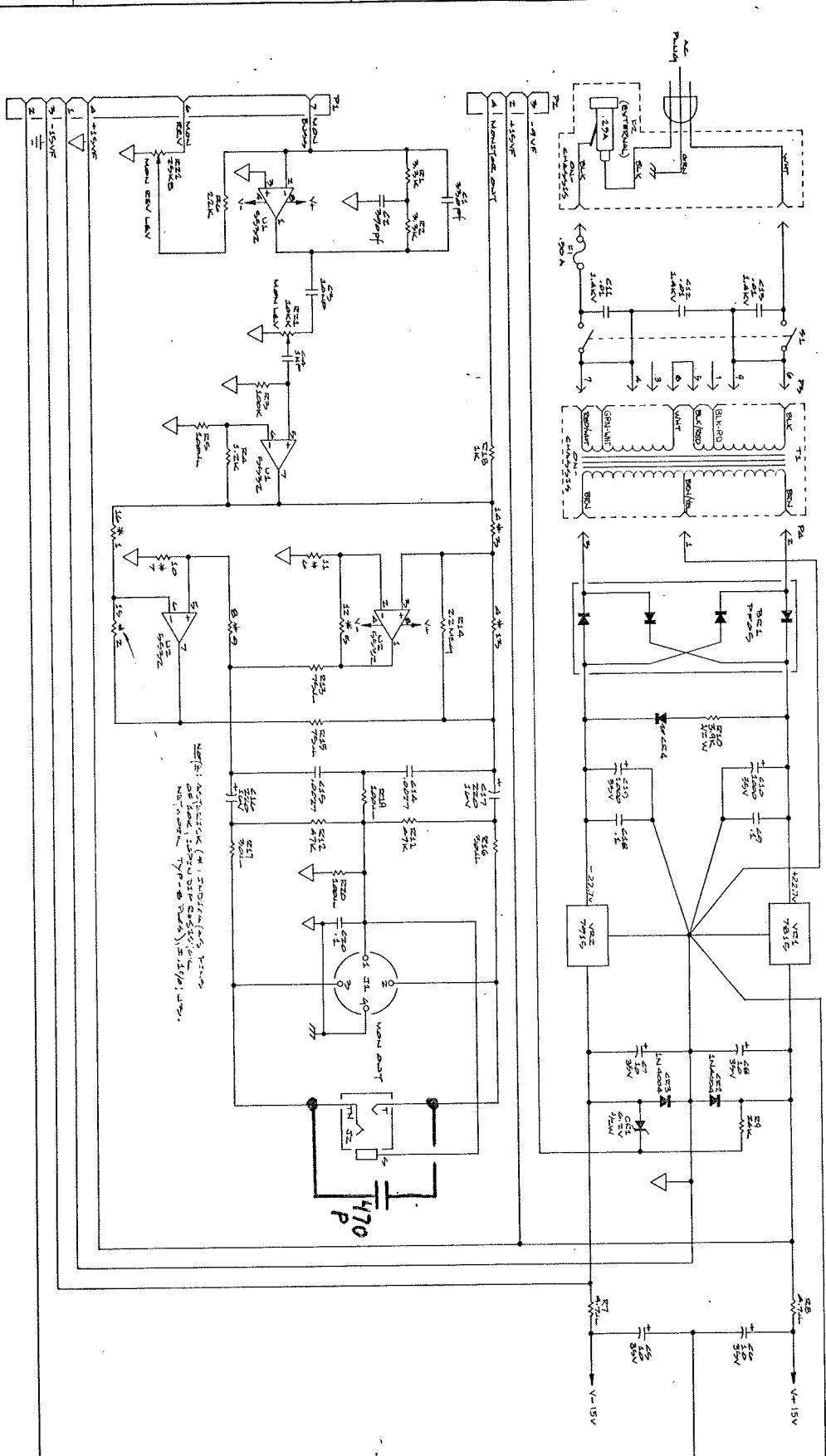
2

1

2

9

THIS DRAWING IS THE PROPERTY OF BIAAMP SYSTEMS, INC. AND IS NOT TO BE REPRODUCED OR TRANSMITTED IN ANY FORM OR BY ANY MEANS, ELECTRONIC OR MECHANICAL, INCLUDING PHOTOCOPYING, RECORDING, OR BY ANY INFORMATION STORAGE AND RETRIEVAL SYSTEM. BIAAMP SYSTEMS, INC. IS NOT RESPONSIBLE FOR ANY DAMAGE TO PERSONS OR PROPERTY CAUSED BY THE USE OF THIS DRAWING.



POWER REGULATION

WIND	BOX	BACKLASH	SW/NO	WHT	CONDUIT	REPLACEMENT
120V	6	4	5	7	8	9
240V	6	1	5	8	9	7

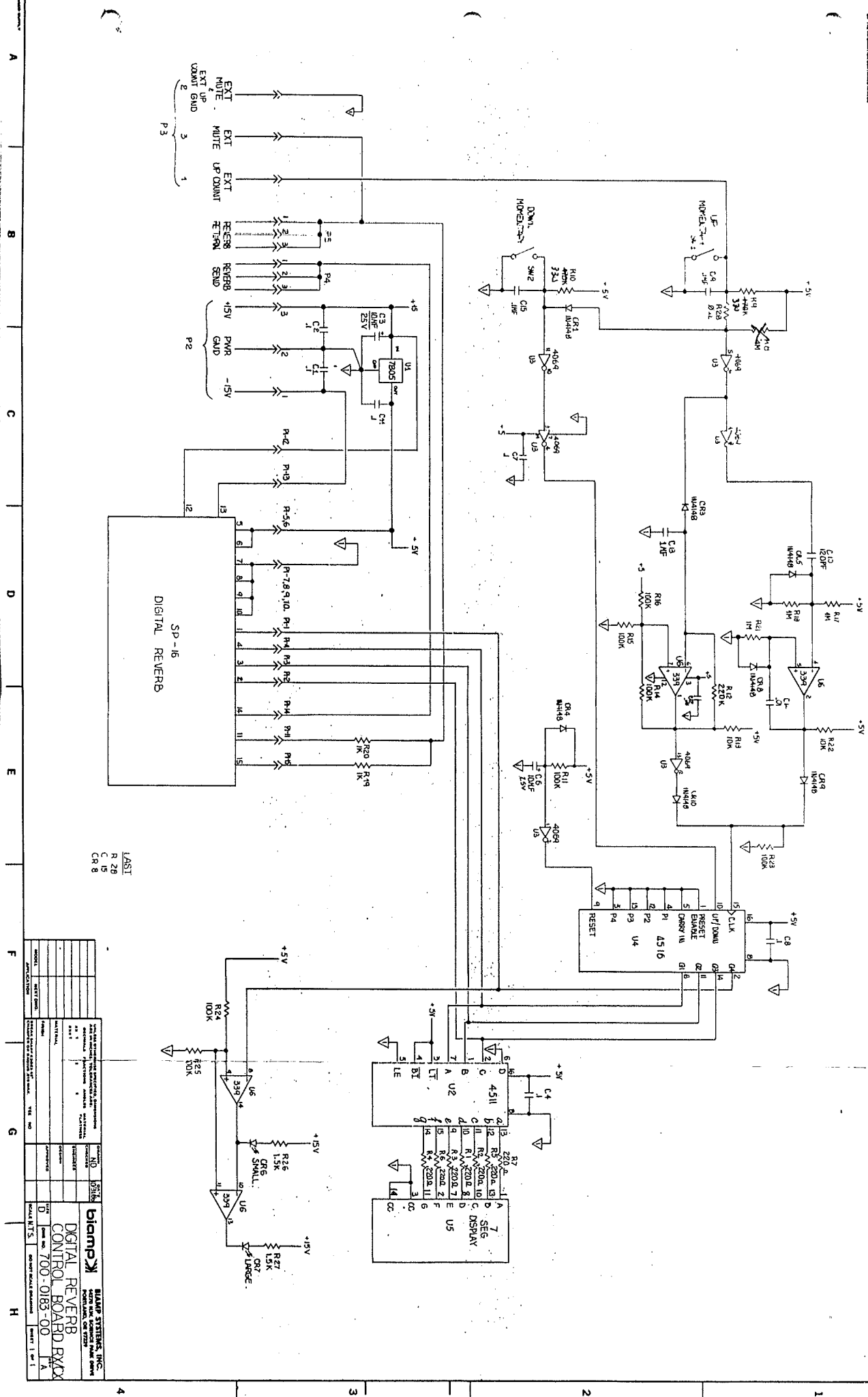
NOTE: 1. UNLESS OTHERWISE SPECIFIED, ALL PARTS ARE TO BE STANDARD GRADE.

- VR1 - 7815
- VR2 - 7815
- VR3 - 7815
- VR4 - 7815
- VR5 - 7815
- VR6 - 7815
- VR7 - 7815
- VR8 - 7815
- VR9 - 7815
- VR10 - 7815

NO.	DATE	DESCRIPTION	BY	CHKD
1	10/10/00	POWER REGULATION	...	...

**BIAAMP SYSTEMS INC.**  
 4700 ...  
 ...

ALL DIMENSIONS ARE IN MILLIMETERS UNLESS OTHERWISE SPECIFIED.  
 DIMENSIONS IN PARENTHESES ARE FOR REFERENCE ONLY.  
 DIMENSIONS IN SQUARE BRACKETS ARE FOR REFERENCE ONLY.  
 DIMENSIONS IN CIRCLES ARE FOR REFERENCE ONLY.  
 DIMENSIONS IN TRIANGLES ARE FOR REFERENCE ONLY.  
 DIMENSIONS IN DIAMETERS ARE FOR REFERENCE ONLY.  
 DIMENSIONS IN SQUARE ROOTS ARE FOR REFERENCE ONLY.  
 DIMENSIONS IN SQUARE ROOTS ARE FOR REFERENCE ONLY.



LAST  
 R 28  
 C 15  
 CR 8

REV	DATE	DESCRIPTION	BY	CHKD
1	10/1/87	REVISED FOR (10/1/87)		
2	10/1/87	REVISED FOR (10/1/87)		
3	10/1/87	REVISED FOR (10/1/87)		
4	10/1/87	REVISED FOR (10/1/87)		

**biamp** BIAMP SYSTEMS, INC.  
 4400 WALKER AVENUE  
 FORT WORTH, TEXAS 76104  
 TEL: 817-734-1000  
 FAX: 817-734-1001  
 WWW: WWW.BIAMP.COM

**DIGITAL REVERB CONTROL BOARD BXX**  
 PART NO. 700-0183-00  
 SHEET 1 OF 1

REV	DATE	DESCRIPTION	BY	CHKD
1	10/1/87	REVISED FOR (10/1/87)		
2	10/1/87	REVISED FOR (10/1/87)		
3	10/1/87	REVISED FOR (10/1/87)		
4	10/1/87	REVISED FOR (10/1/87)		

