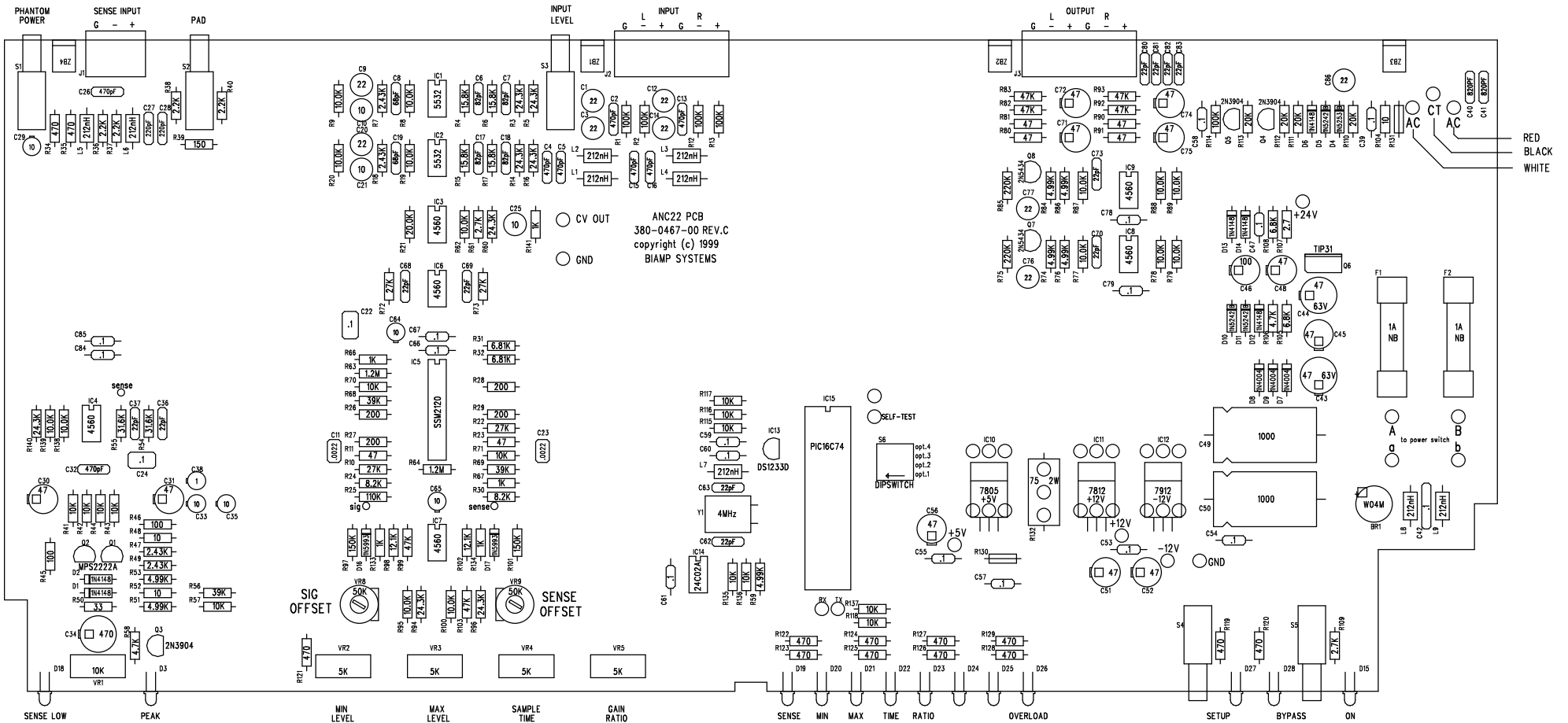


ANC22
(Ambient Noise
Compensator)

Schematic

Released July 16, 2002



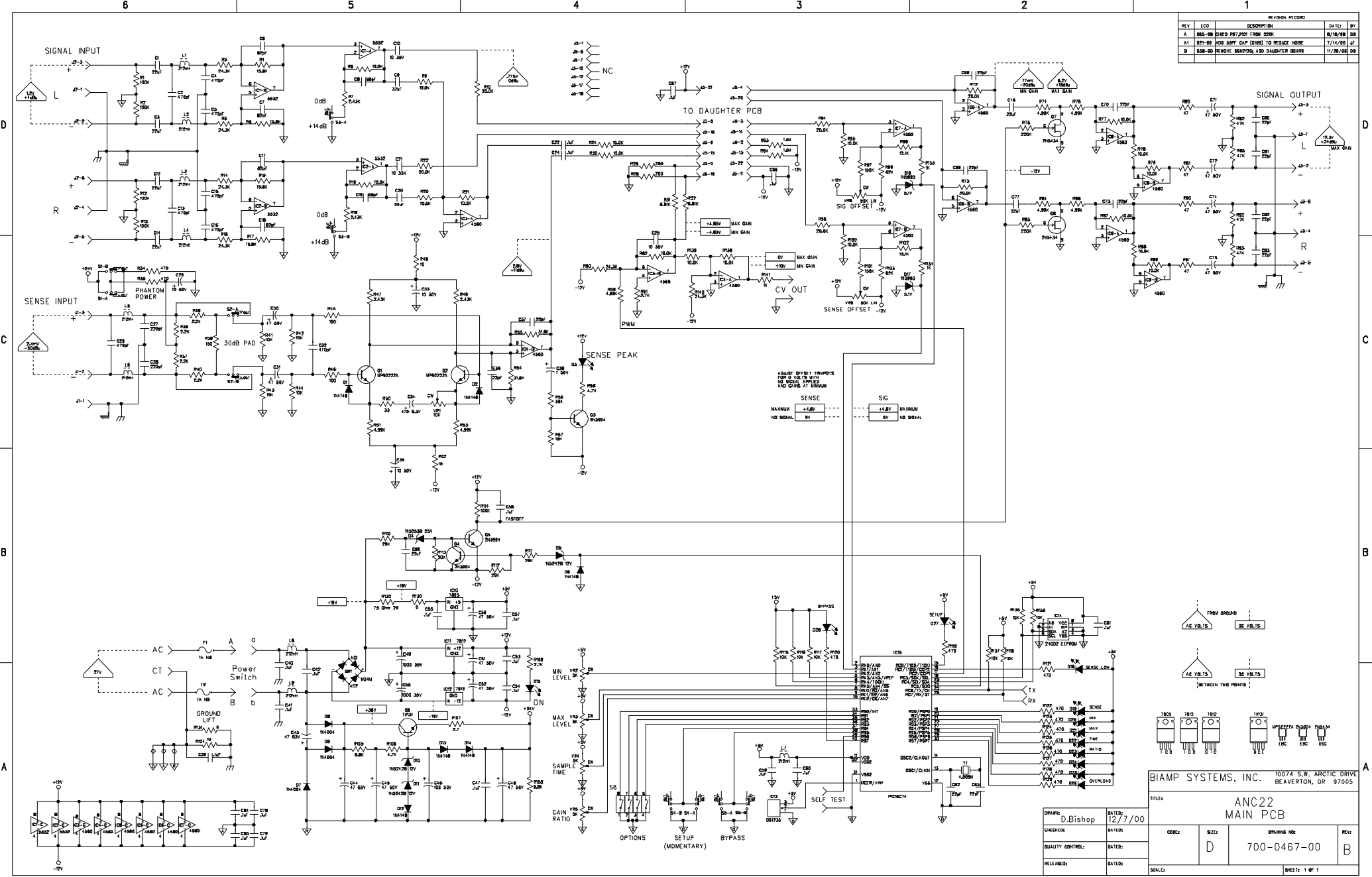
ANC22 PCB
 380-0467-00 REV.C
 copyright (c) 1999
 BIAMP SYSTEMS

BIAMP SYSTEMS
 10074 SW Arctic Drive
 Beaverton, Oregon 97005
 (503) 641-7287

ANC22 PCB
 380-0467-00 REV.C
 Sheet 1 of 5 : Silkscreen

RED
 BLACK
 WHITE

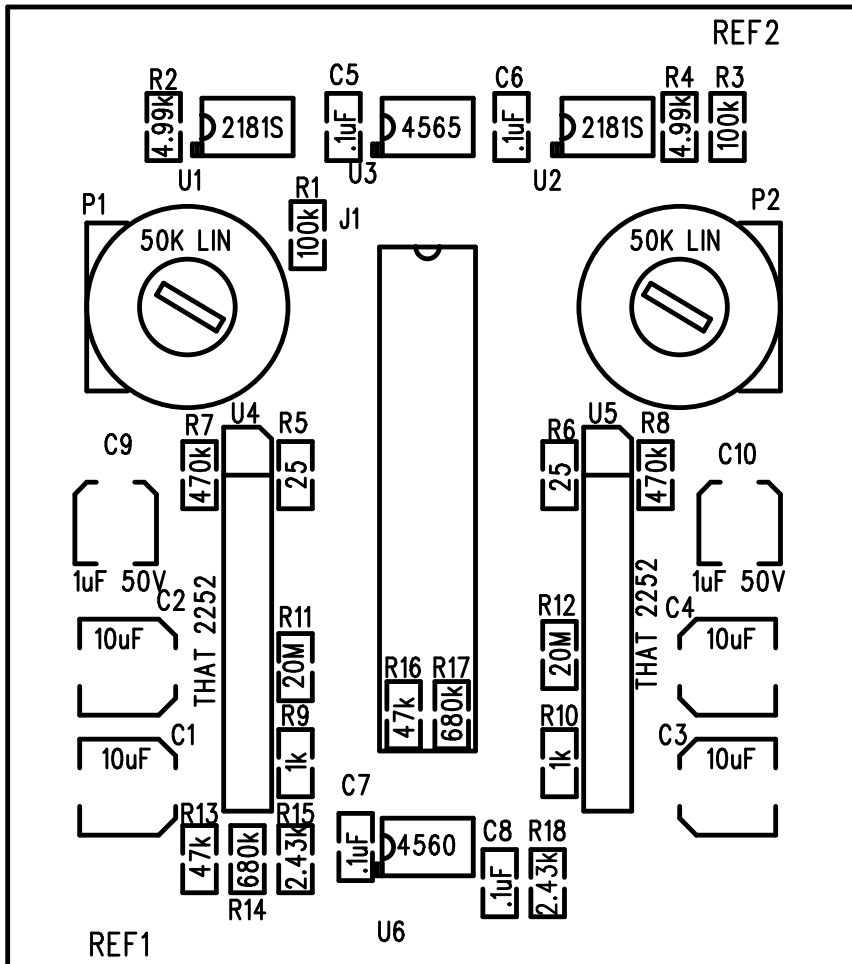
REV	ECO	DESCRIPTION	DATE	BY
A	883-88	CHG'D RPT. FROM 220K	8/18/88	DB
B	883-88	ADD JSTY CAP (100K) TO REDUCE NOISE	7/11/88	JF
D	883-88	REVISE BOARDING AND DAUGHTER BOARD	11/26/88	DB



DRAWN: D.Bishop		DATE: 12/7/00	
CHECKED:	DATE:	SIZE: D	REV: B
QUALITY CONTROL:	DATE:	DRAWING NO: 700-0467-00	
RELEASED:	DATE:	SHEET: 1 OF 1	

BIAMP SYSTEMS, INC. 16374 S.W. ARCTIC DRIVE
BEAVERTON, OR 97005

TITLE: ANC22 MAIN PCB



BIAMP SYSTEMS, INC
 10074 SW Arctic Drive
 Beaverton, Oregon 97005
 (503) 641-7287

380-0470-00 REV -

Sheet 2 of 6 : Component Side

6

5

4

3

2

1

REVISION RECORD			
LTR	ECO NO:	APPROVED:	DATE:

D

D

C

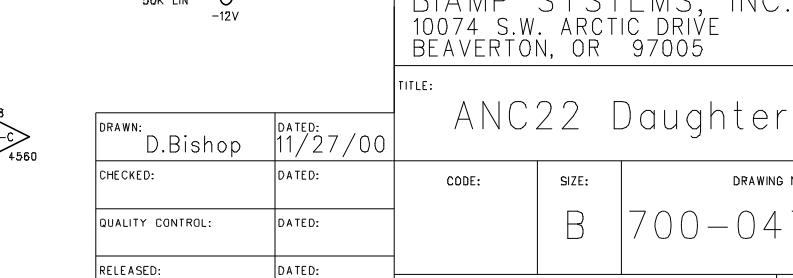
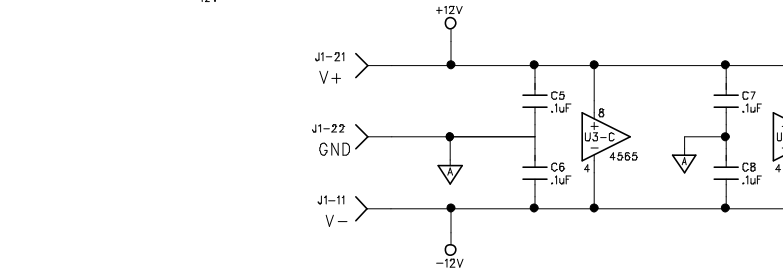
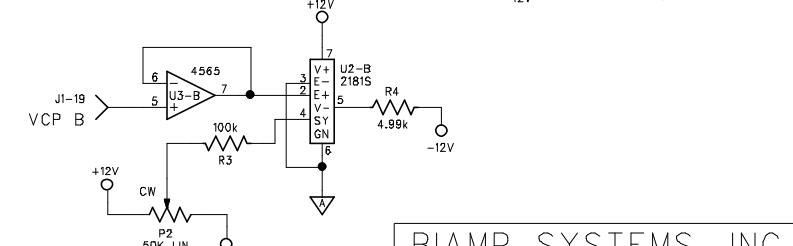
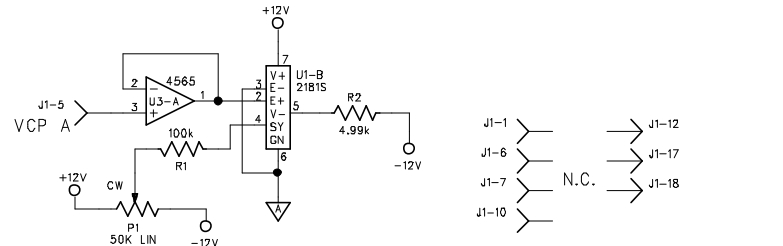
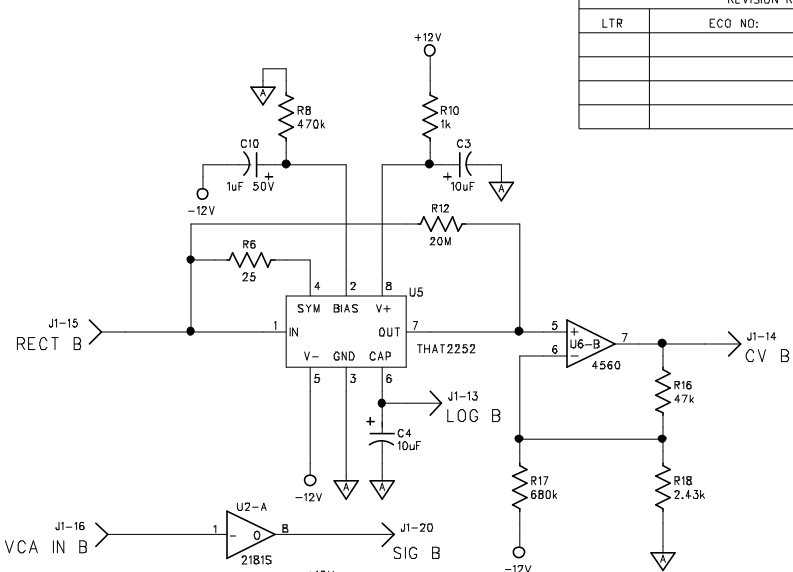
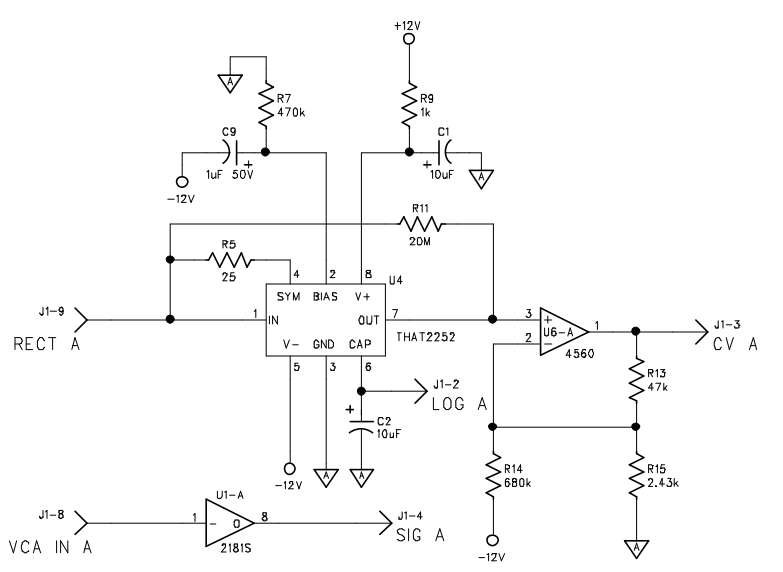
C

B

B

A

A



BIAMP SYSTEMS, INC.
 10074 S.W. ARCTIC DRIVE
 BEAVERTON, OR 97005

TITLE: ANC22 Daughter Board			
DRAWN: D.Bishop	DATED: 11/27/00	CODE:	REV:
CHECKED:	DATED:	SIZE: B	DRAWING NO: 700-0470-00
QUALITY CONTROL:	DATED:	SCALE:	SHEET: 1 OF 1