

801 Series

# Schematic

**B I A M P<sup>®</sup>**

---

S Y S T E M S



REVISED / DESCRIPTION:	DATE:	BY:

6  
REVISION RECORD

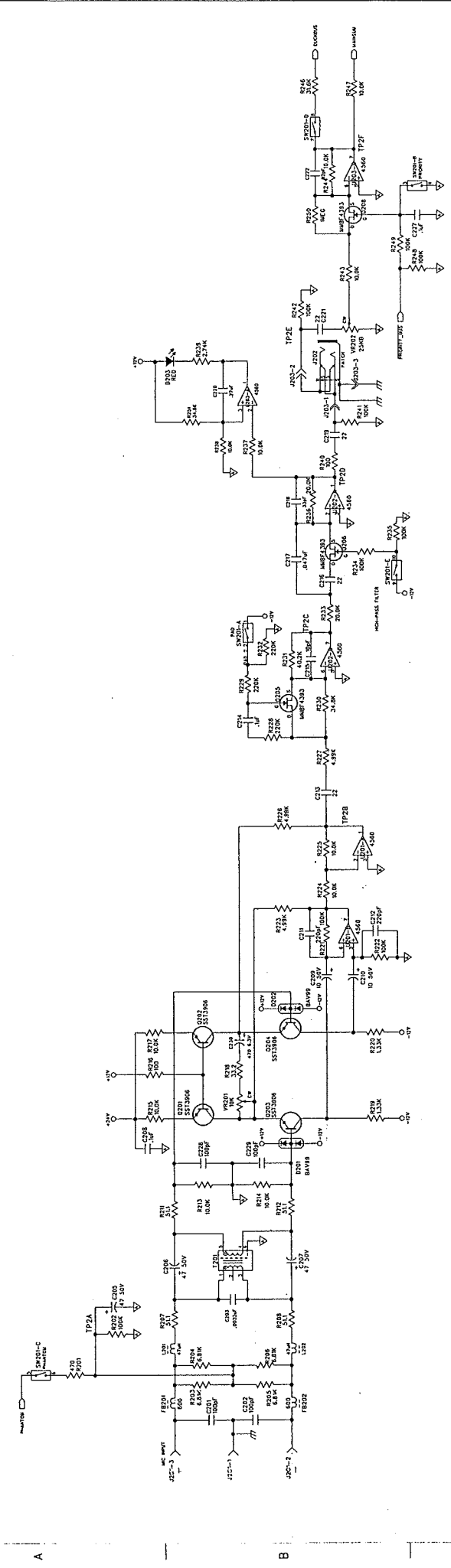
5

4

3

2

1



DATE OK	DATE	BY

BIAMP SYSTEMS, INC.  
700-0493-00

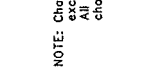
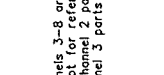
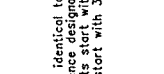
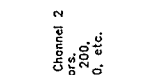
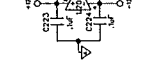
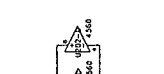
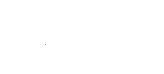
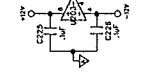
Advantage 801 Channels 2 - 8

COM  
A C  
BAV99

C  
B E  
SST3906

C  
B E  
MUB13504

C  
D S  
MUB74393



NOTE: Channels 3-8 are identical to Channel 2  
except for reference designators.  
All channel 2 parts start with 200,  
channel 3 parts start with 300, etc.

REV	DATE	BY

REVISION RECORD

6

5

4

3

2

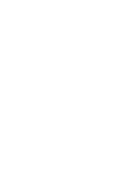
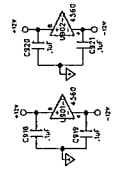
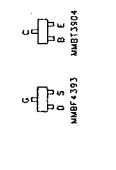
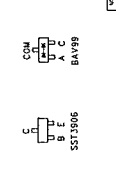
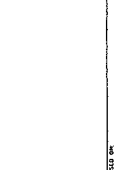
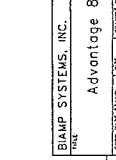
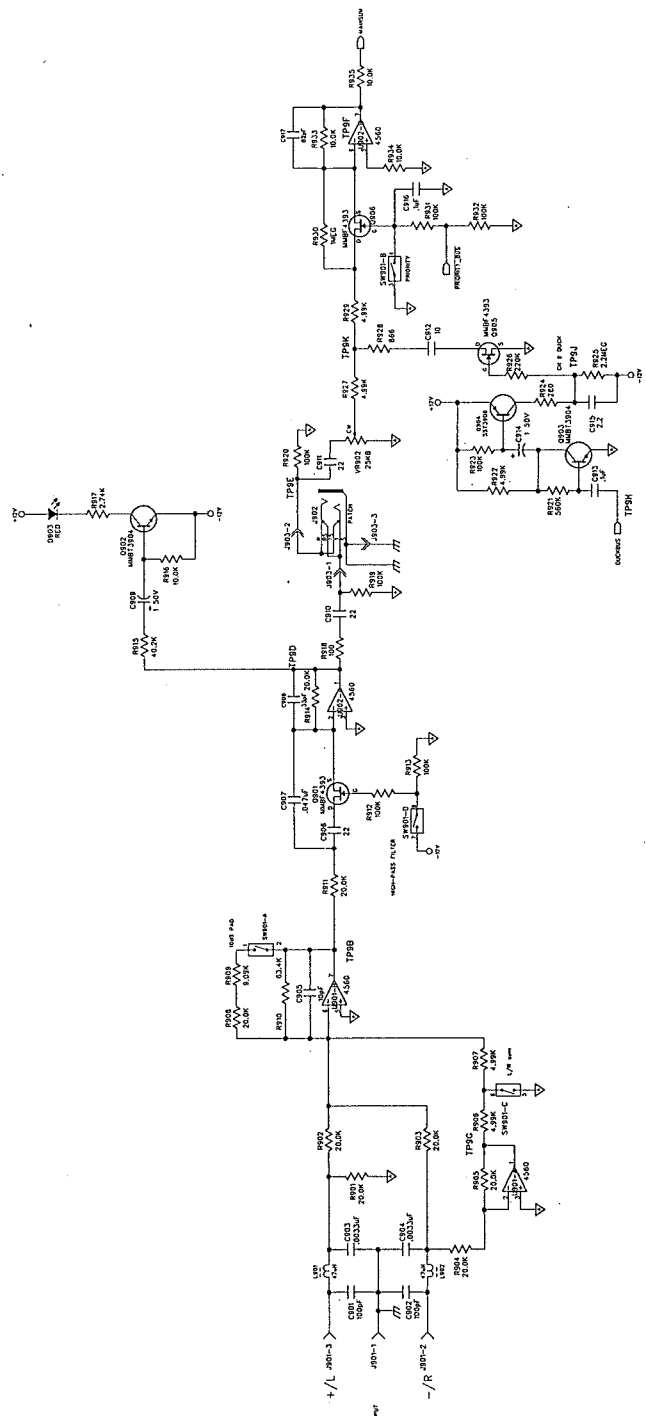
1

A

B

C

D



BIAMP SYSTEMS, INC.  
 1000 W. 100th St., Suite 100  
 Minneapolis, MN 55427

Advantage 801 Channel 9

700-0493-00

C

C

C

C

C

C

C

C

C

REV	DESCRIPTION	DATE	BY

1

2

3

4

5

6

7

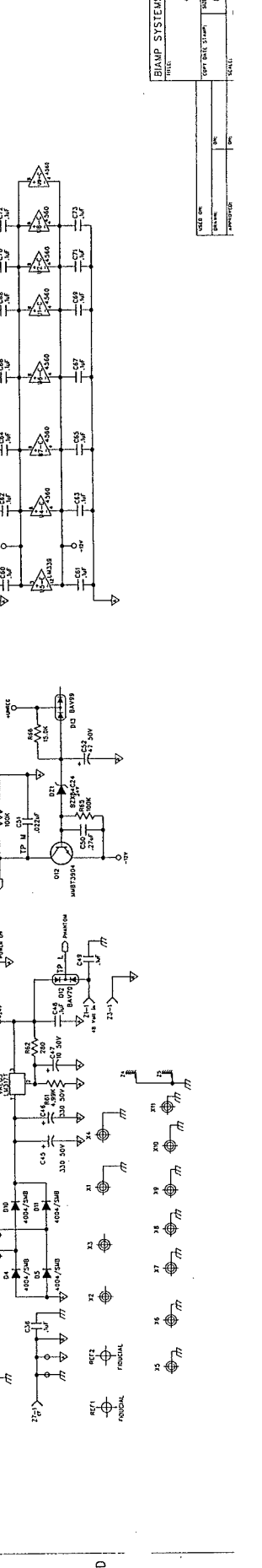
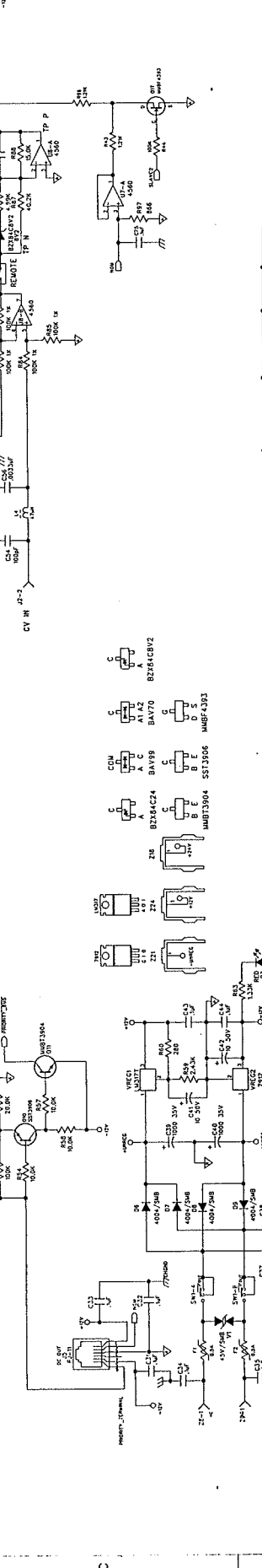
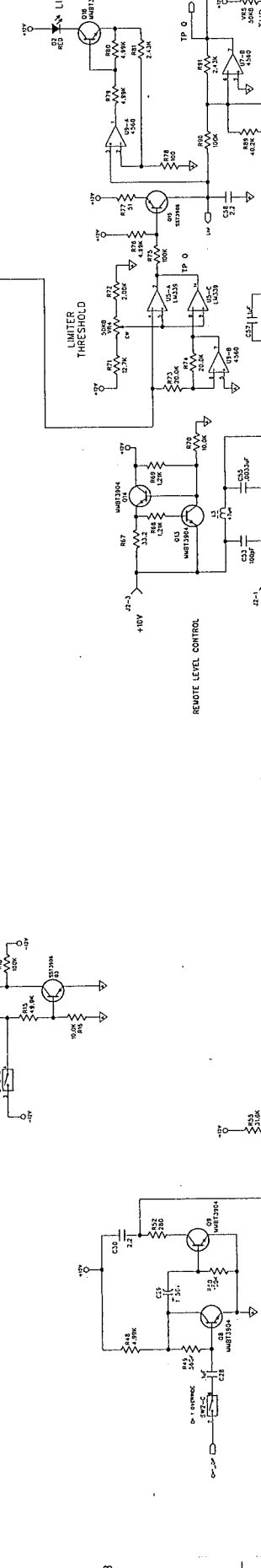
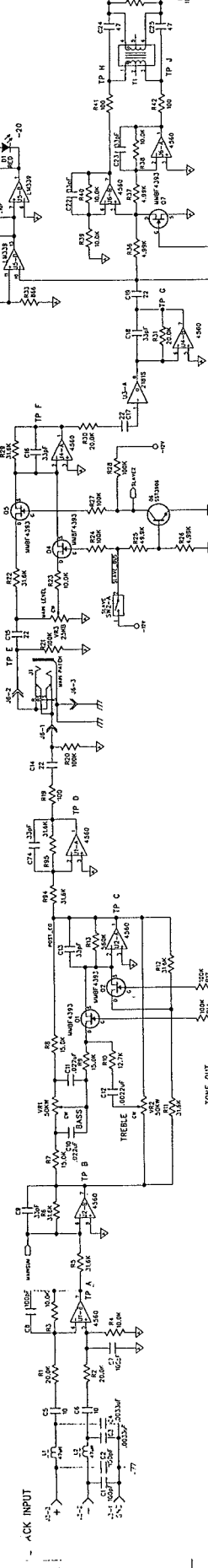
8

9

10

11

12



REV	DESCRIPTION	DATE	BY

13

14

15

16

17

18

19

20

21

22

23

24

REV	DESCRIPTION	DATE	BY

25

26

27

28

29

30

31

32

33

34

35

36

37

38

39

40

41

42

43

44

45

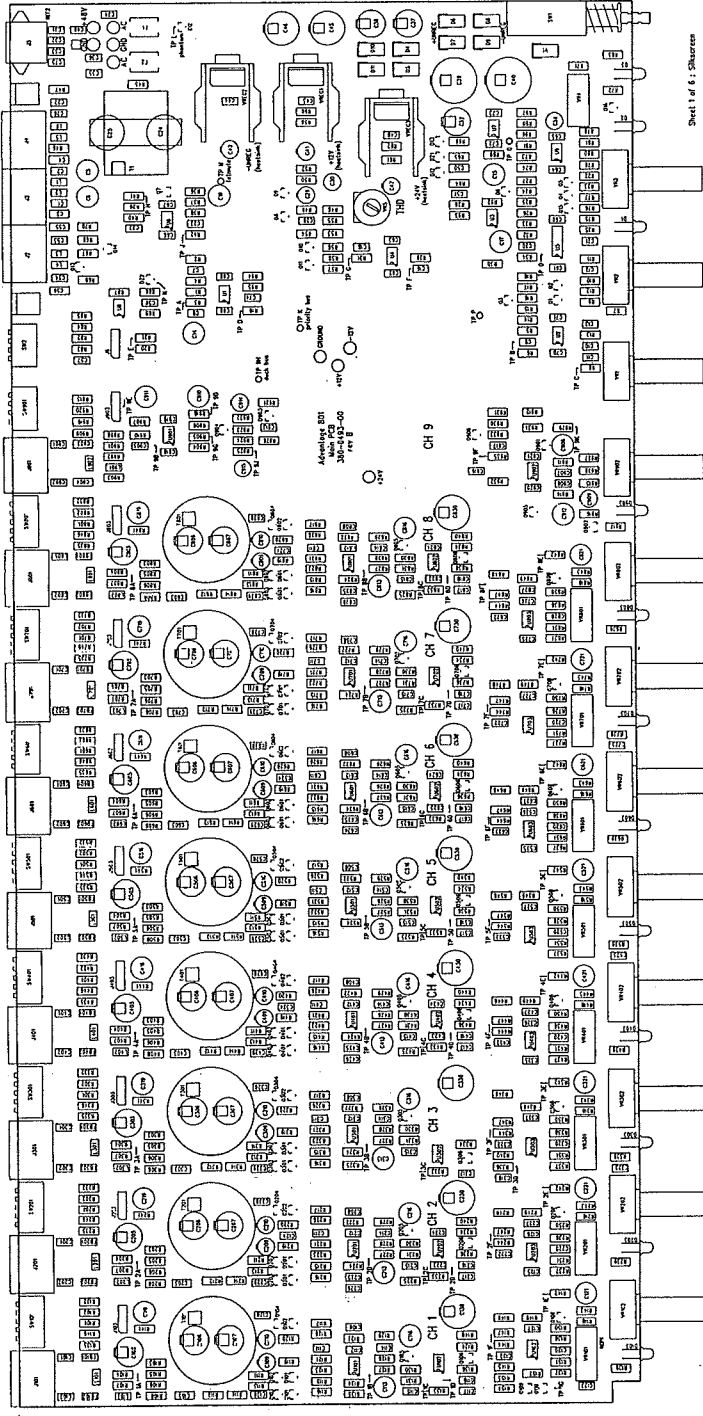
46

47

48

49





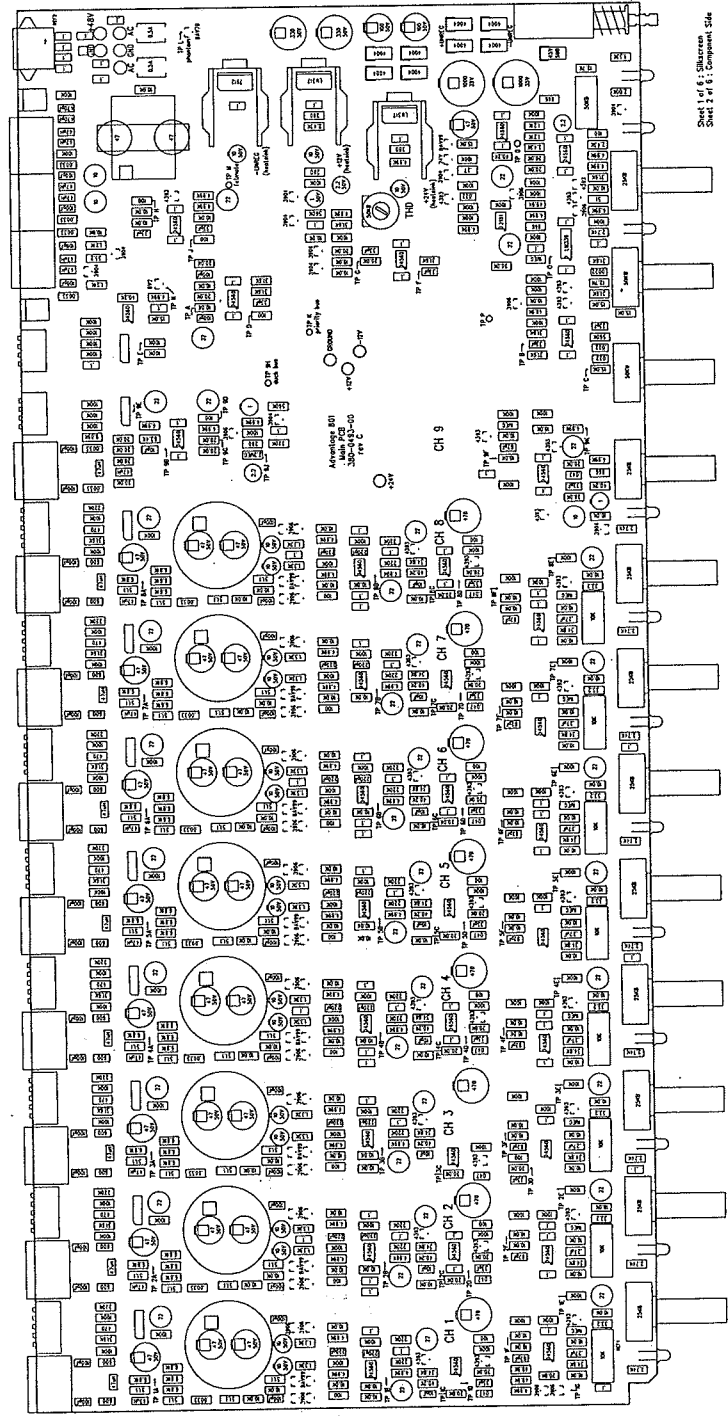
Sheet 1 of 1: Shown

BIAMP SYSTEMS  
 10074 S.W. Arctic Drive  
 Seaverton, Oregon 97005  
 (503) 641-7287  
 380-0493-00 rev B  
 Advantage 801

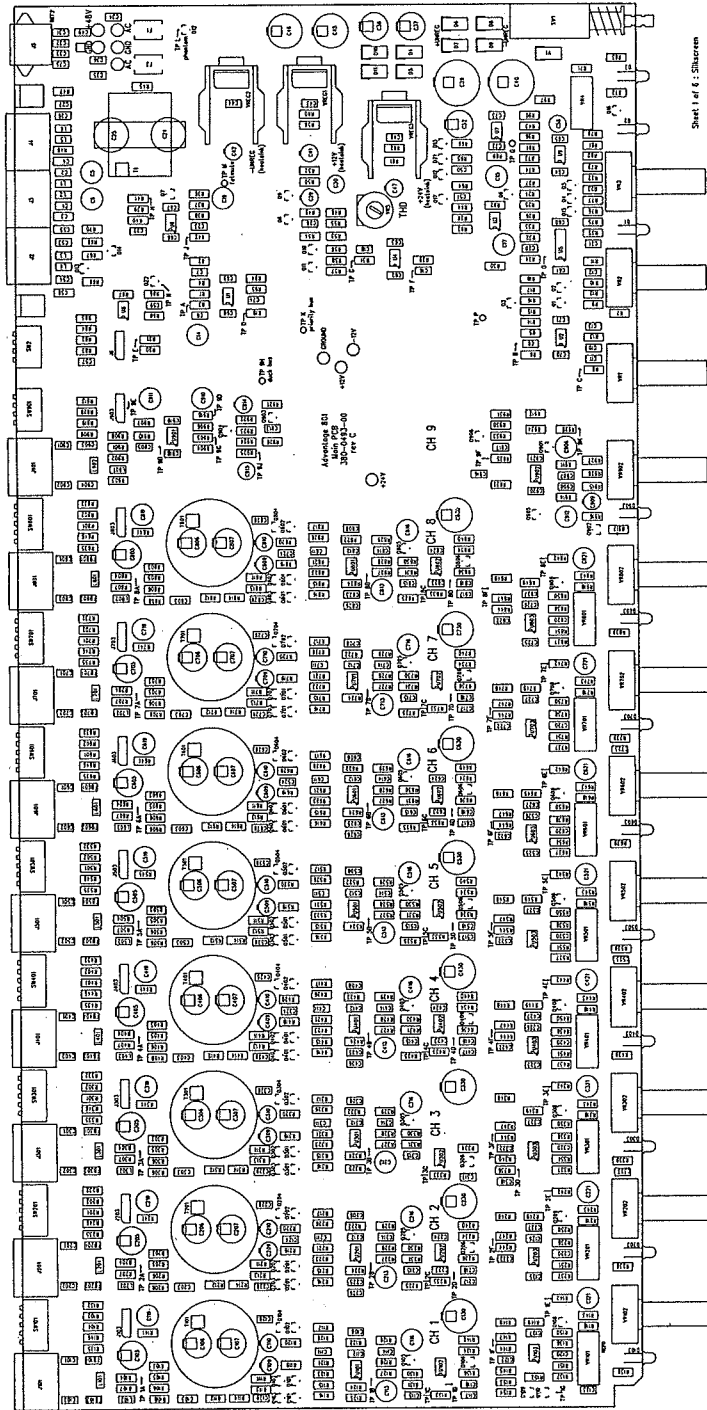
DATE	1/17/78	BY	WJH
DESIGN		CHECKED	
ISSUED		APPROVED	
BIAMP SYSTEMS, INC 10074 S.W. Arctic Drive, Seaverton OR, 97005 Advantage 801 Main PCB Component Layout			
Doc. No.	701-0193-00	REV. B	SHEET 2 OF 2

BIAMP SYSTEMS  
 10074 S.W. Arctic Drive  
 Beaverton, Oregon 97005  
 (503) 641-7287  
 380-0493-00 rev C  
 Advantage 801

DESIGN	DB	4/77
CHECKED		
DRAWN		
APPROVED		
BIAMP SYSTEMS, INC.		10074 S.W. Arctic Drive, Beaverton OR 97005
Advantage 801 Main PCB		
Component Layout		
Doc. No.	701-0493-00	REV. C   SHEET 1 OF 2







Sheet 1 of 4 : Shaveren

BIAMP SYSTEMS  
 10074 S.W. Aclic Drive  
 Beaverton, Oregon 97005  
 (503) 641-2287  
 380-0493-00 Rev C  
 Advantage 801

DATE	BY	BIAMP SYSTEMS, INC.
DESIGN	BY	10074 SW Aclic Drive, Beaverton, OR 97005
ISSUE	BY	Advantage 801 Main PCB
REVISED	BY	Component Layout
REV. A		REV. B
REV. C		REV. C
REV. D		REV. C
REV. E		REV. C
REV. F		REV. C
REV. G		REV. C
REV. H		REV. C
REV. I		REV. C
REV. J		REV. C
REV. K		REV. C
REV. L		REV. C
REV. M		REV. C
REV. N		REV. C
REV. O		REV. C
REV. P		REV. C
REV. Q		REV. C
REV. R		REV. C
REV. S		REV. C
REV. T		REV. C
REV. U		REV. C
REV. V		REV. C
REV. W		REV. C
REV. X		REV. C
REV. Y		REV. C
REV. Z		REV. C