

THIS DRAWING IS THE PROPERTY OF BIAMP SYSTEMS, INC. AND MUST BE RETURNED, WITHOUT DUPLICATING AT ANY TIME, ON REQUEST, WHILE IN THE POSSESSION OF THE RECIPIENT. IT MUST BE PROTECTED AGAINST DISCLOSURE TO ANYONE EXCEPT THOSE EMPLOYEES WHO REQUIRE IT FOR THE WORK OR JOB. THE RECIPIENT AND HIS EMPLOYEE MUST KEEP CONFIDENTIAL, AND NOT MAKE UNAUTHORIZED USE OF, THE INFORMATION CONTAINED HEREON.

REV.	E.C.D.	CHECKED	CHANGE	DATE	BY
A	184-88		REV. A FILM. REMOVED D2, D3, R74, R77, ADDED C59.	5-31-88	ND
B	312-88		CHG'D R34 AND R85 IN LIMIT THRESHOLD CKT.	11-30-88	ND
C	081-89		CHG'D F1 + F2 FROM 1/2 A 5B TO 1A NB	3-23-89	BD

1

2

3

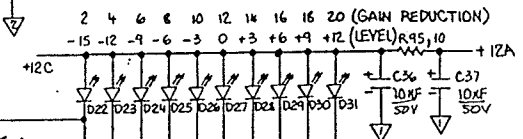
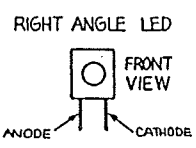
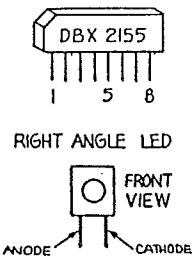
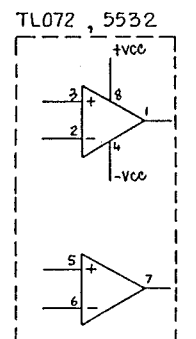
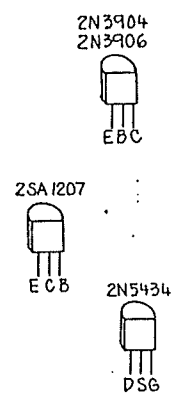
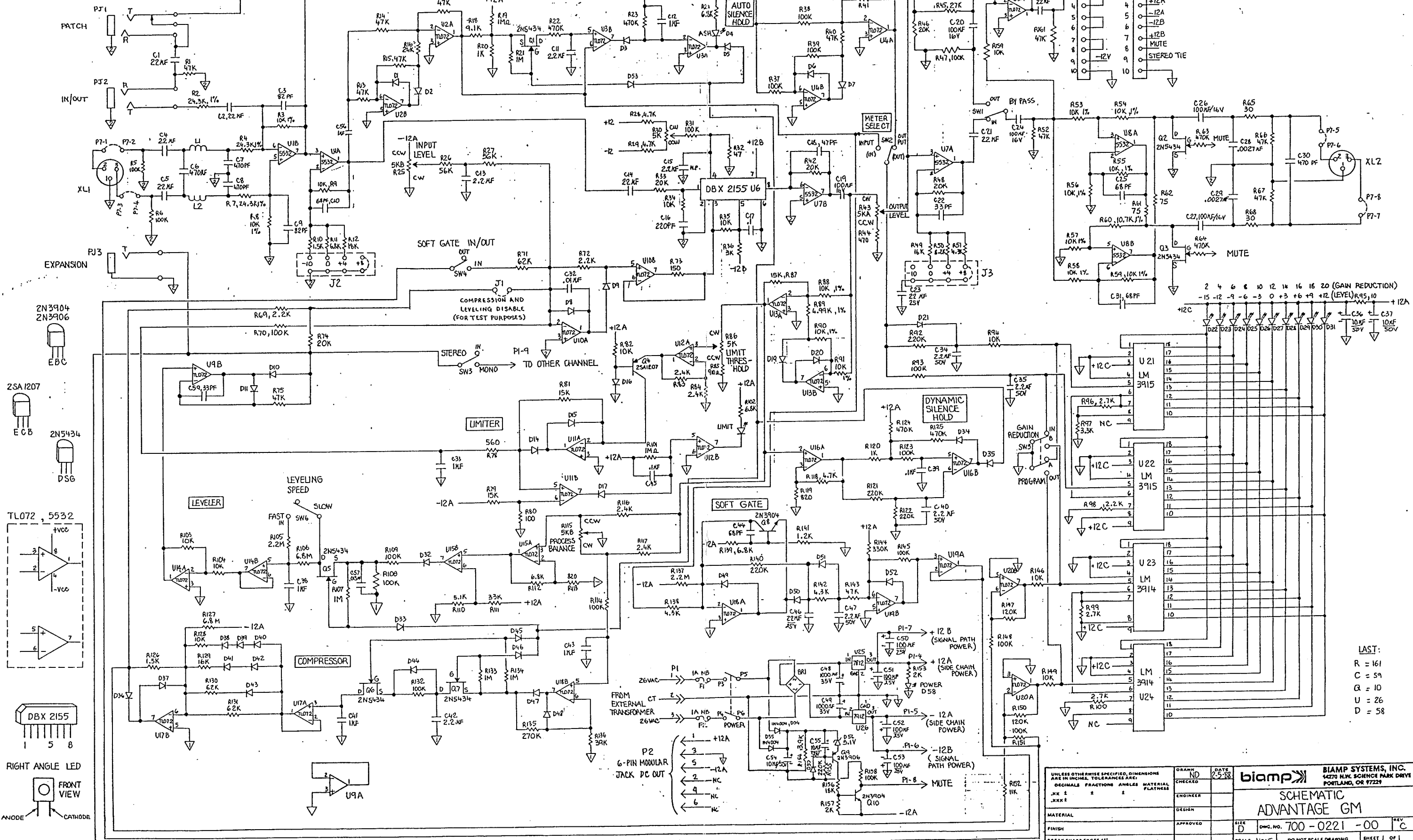
4

1

2

3

4



LAST:
R = 161
C = 59
Q = 10
U = 26
D = 58

UNLESS OTHERWISE SPECIFIED, DIMENSIONS ARE IN INCHES. TOLERANCES ARE:		DATE	2-5-88
DECIMALS FRACTIONS ANGLES MATERIAL		ENGINEER	
.XX ± .XXX ±		DESIGN	
MATERIAL		APPROVED	
FINISH		SIZE	D
BREAK SHARP EDGES 45° CHAMFER OR RADIUS .016 MAX.	YES NO	SCALE	None
DO NOT SCALE DRAWING		SHEET 1 OF 1	

biamp BIAMP SYSTEMS, INC.
14270 N.W. SCIENCE PARK DRIVE
PORTLAND, OR 97229

**SCHEMATIC
ADVANTAGE GM**