



Biamp Systems
14270 N.W. Science Park Drive
Portland, Oregon 97229

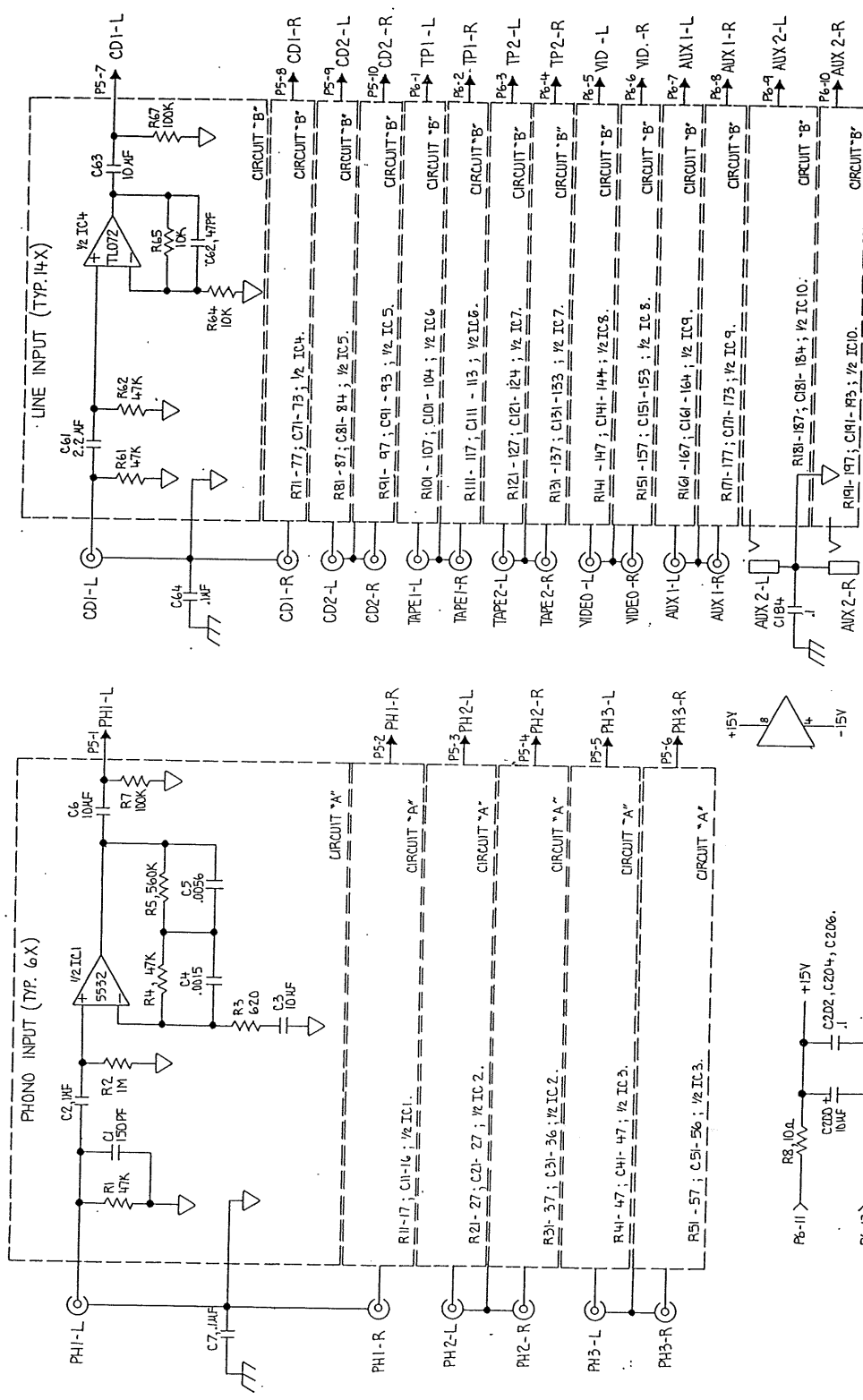
Tel: 503.641.7287
Telex: 4932491 BIAMPUI
Fax: 503.626.0281

ADVANTAGE SCM-7500

SCHEMATICS

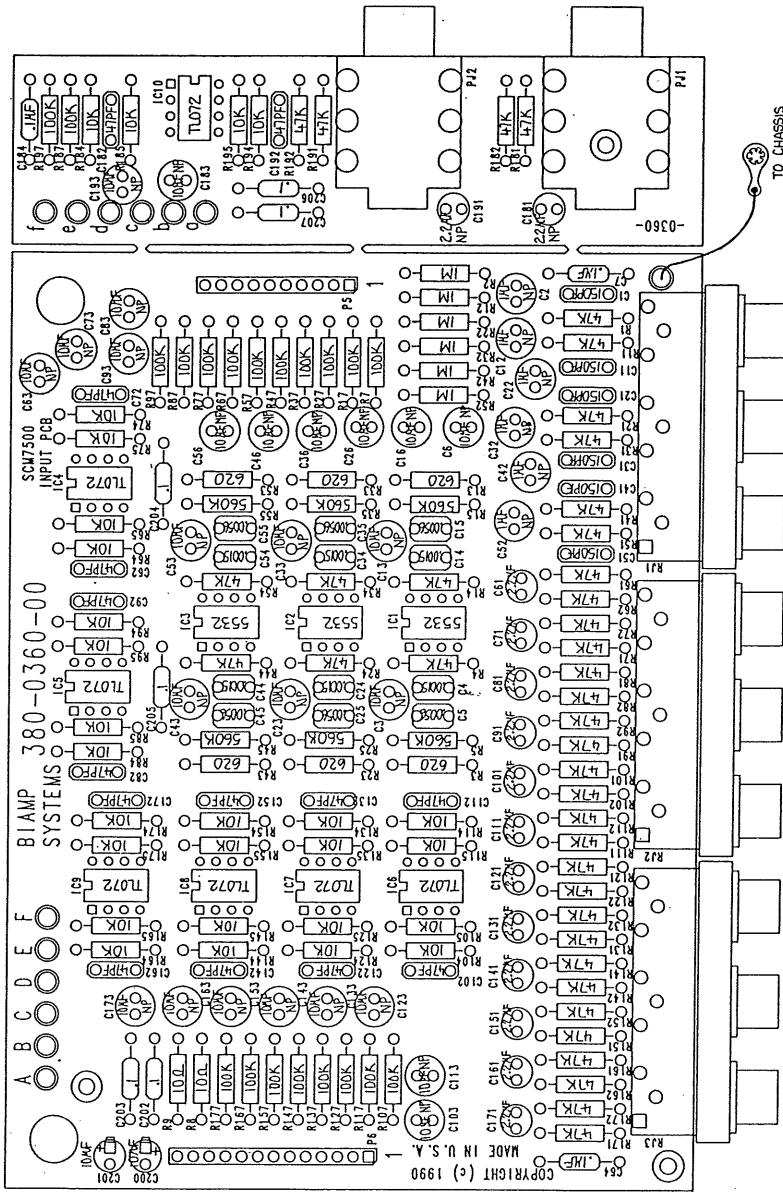


THIS DRAWING IS THE PROPERTY OF BIAMP SYSTEMS, INC. AND IS NOT TO BE REPRODUCED OR TRANSMITTED IN ANY FORM OR BY ANY MEANS, ELECTRONIC OR MECHANICAL, INCLUDING PHOTOCOPYING, RECORDING, OR BY ANY INFORMATION STORAGE AND RETRIEVAL SYSTEM. THE INFORMATION CONTAINED HEREIN IS UNCLASSIFIED.



ITEM	DESCRIPTION	PART NO.	SIZE	QTY.
1	BIAMP 7500 INPUT PCB	7500	PCB	1
2	SCHEMATIC			
3	SCALE ND/NDE	700-0360-00		1
4	DO NOT SCALE DRAWING			

APPLICATOR	DATE	APPROVED	FINISH	SCALE	NO.	REV.



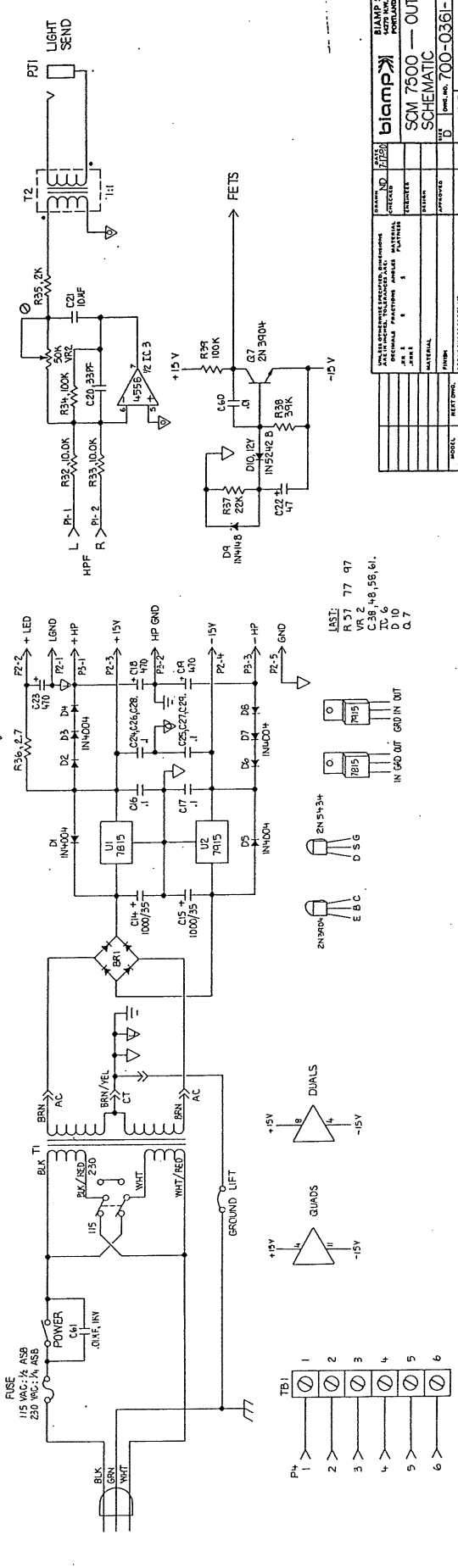
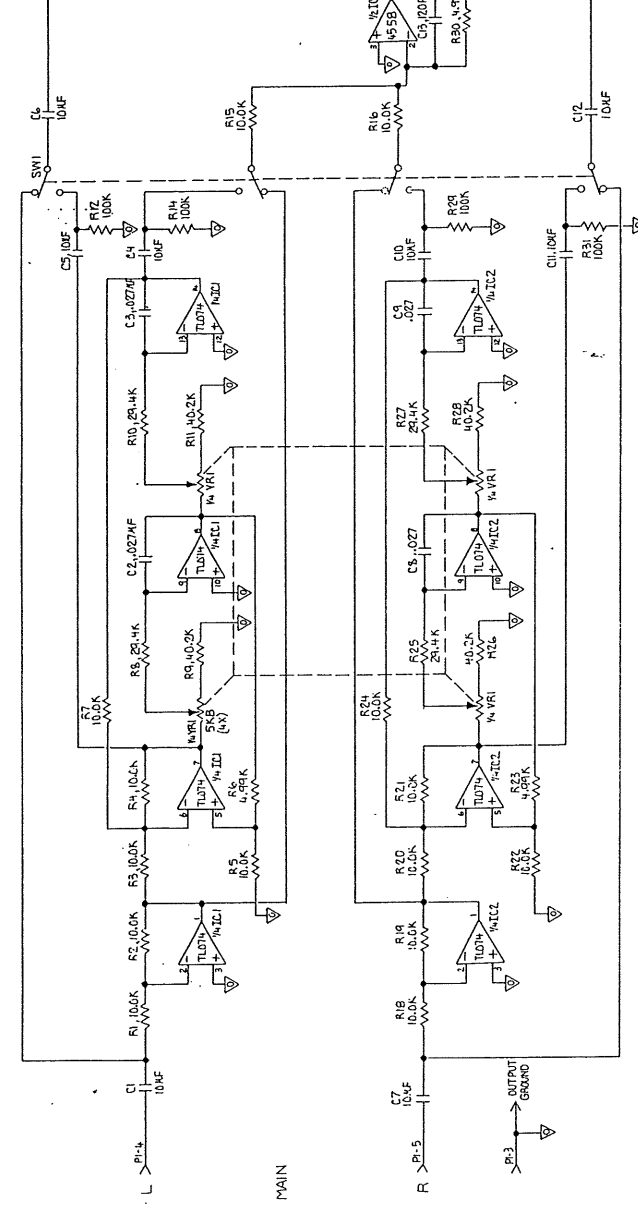
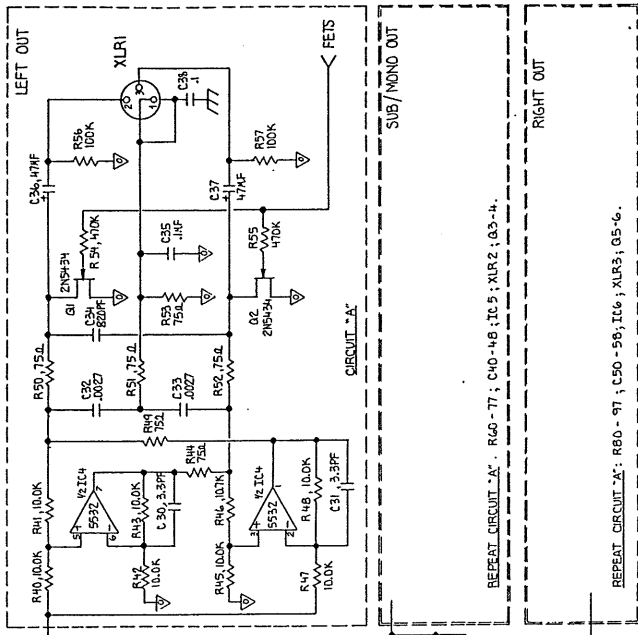
ITEM	DESCRIPTION	SIZE	QTY.
1	SCM 7500 INPUT PCB	380-0360-00	1
2	BIAMP SYSTEMS		
3	SCM 7500 INPUT PCB COMPONENT LAYOUT		
4	DO NOT SCALE DRAWING		
5	SHEET 1 OF 1		

ITEM	DESCRIPTION	SIZE	QTY.
1	SCM 7500 INPUT PCB	380-0360-00	1
2	BIAMP SYSTEMS		
3	SCM 7500 INPUT PCB COMPONENT LAYOUT		
4	DO NOT SCALE DRAWING		
5	SHEET 1 OF 1		

ITEM	DESCRIPTION	SIZE	QTY.
1	SCM 7500 INPUT PCB	380-0360-00	1
2	BIAMP SYSTEMS		
3	SCM 7500 INPUT PCB COMPONENT LAYOUT		
4	DO NOT SCALE DRAWING		
5	SHEET 1 OF 1		

THIS DRAWING IS THE PROPERTY OF BIAMP SYSTEMS, INC. AND IS NOT TO BE REPRODUCED OR TRANSMITTED IN ANY FORM OR BY ANY MEANS, ELECTRONIC OR MECHANICAL, INCLUDING PHOTOCOPYING, RECORDING, OR BY ANY INFORMATION STORAGE AND RETRIEVAL SYSTEM, WITHOUT PERMISSION IN WRITING FROM BIAMP SYSTEMS, INC. THESE SERVICES ARE PROVIDED TO YOU BY BIAMP SYSTEMS, INC. AND ARE NOT TO BE REPRODUCED OR TRANSMITTED IN ANY FORM OR BY ANY MEANS, ELECTRONIC OR MECHANICAL, INCLUDING PHOTOCOPYING, RECORDING, OR BY ANY INFORMATION STORAGE AND RETRIEVAL SYSTEM, WITHOUT PERMISSION IN WRITING FROM BIAMP SYSTEMS, INC.

MADE IN U.S.A.
 COPYRIGHT (c) 1990
 1



DATE	DESIGNED BY	APPROVED BY	DATE	DESIGNED BY	APPROVED BY
1/1/77	ABES	ABES	1/1/77	ABES	ABES
REV	BY	DATE	REV	BY	DATE
1	ABES	1/1/77	1	ABES	1/1/77
2	ABES	1/1/77	2	ABES	1/1/77
3	ABES	1/1/77	3	ABES	1/1/77
4	ABES	1/1/77	4	ABES	1/1/77
5	ABES	1/1/77	5	ABES	1/1/77
6	ABES	1/1/77	6	ABES	1/1/77

blamp

BIAMP SYSTEMS, INC.
 4070 HWY. 60, SUITE 100, BAY AREA, CA 94015
 (415) 351-1111

SCM 7500 — OUTPUT PCB
 SCHEMATIC

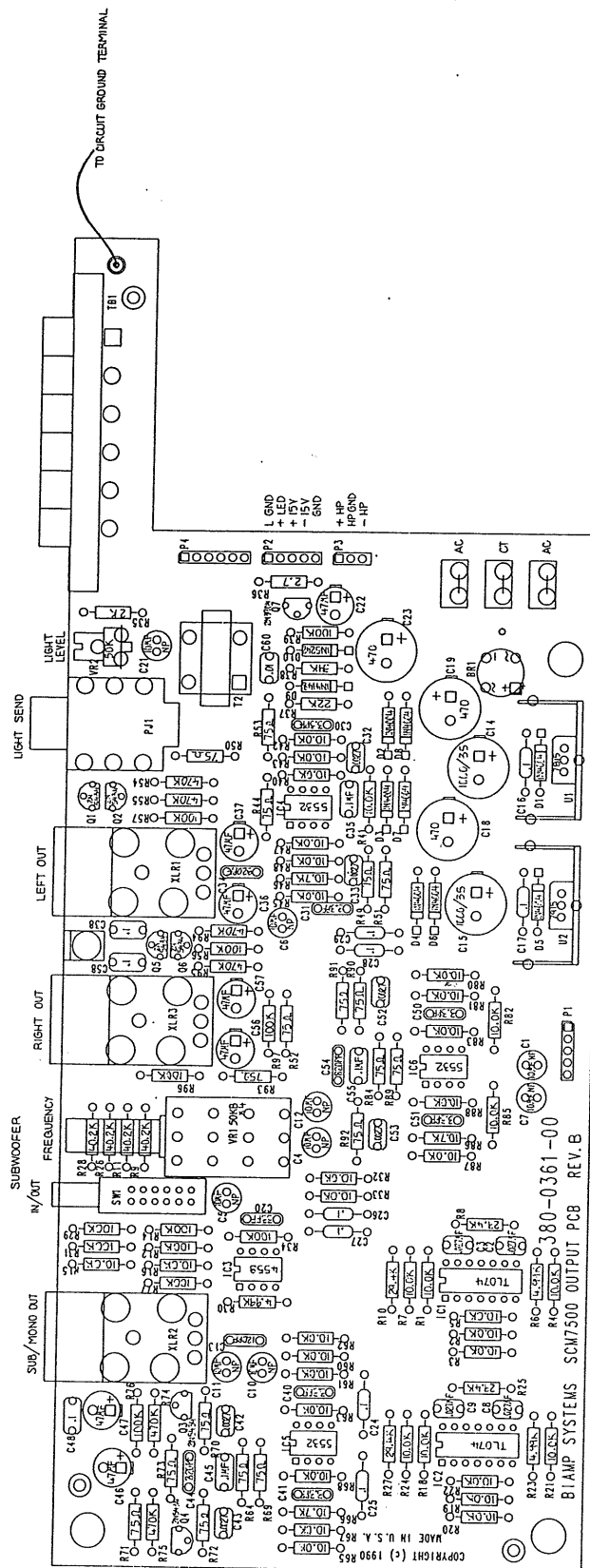
DATE: 1/1/77
 BY: ABES
 APPROVED BY: ABES
 DATE: 1/1/77

MODEL: SCM 7500
 PART NO.: 700-0361-00
 SHEET 1 OF 1

ALL DIMENSIONS ARE IN MILLIMETERS UNLESS OTHERWISE SPECIFIED.
 DIMENSIONS IN PARENTHESES ARE FOR INFORMATION ONLY.
 DIMENSIONS IN SQUARE BRACKETS ARE FOR INFORMATION ONLY.
 DIMENSIONS IN CIRCLES ARE FOR INFORMATION ONLY.
 DIMENSIONS IN TRIANGLES ARE FOR INFORMATION ONLY.
 DIMENSIONS IN DIAMETERS ARE FOR INFORMATION ONLY.
 DIMENSIONS IN SQUARE ROOTS ARE FOR INFORMATION ONLY.
 DIMENSIONS IN SQUARE ROOTS ARE FOR INFORMATION ONLY.

LAST: 77 47
 R 57
 VR 2
 C 36, 48, 95, 61.
 IC 6
 IC 6
 C 7

REV.	DATE	CHANGE	BY
A	03-90	380-0361-00 REV. A RLD	ND
B	07-90	380-0361-00 REV. B FLW	ND

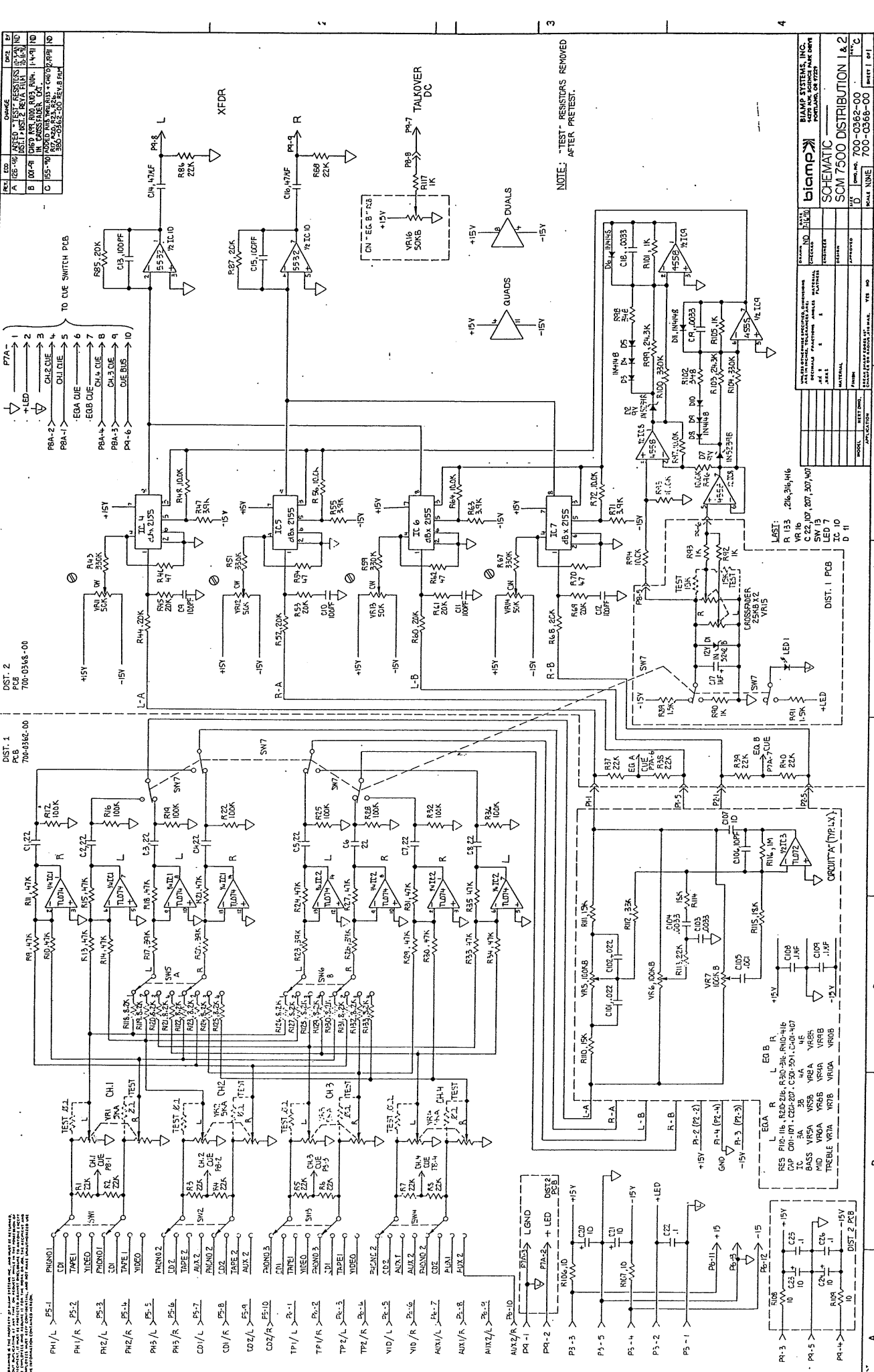


BIAMP SYSTEMS
SCM7500 OUTPUT PCB
REV. B

BIAMP SYSTEMS
14270 N.W. Science Park Drive
Portland, Oregon 97229
(503) 641-7287

DESIGNED BY	DATE	REVISION	BY
SCM7500	03-90	00	ND
380-0361-00	07-90	00	ND

BIAMP SYSTEMS, INC.	14270 N.W. SCIENCE PARK DRIVE	PORTLAND, OREGON 97229
SCM7500 OUTPUT PCB	COMPONENT LAYOUT	
REV. B	DATE	BY
07-90	ND	ND



COMPONENTS

QTY	DESCRIPTION	QTY	DESCRIPTION
1	IC1 74LS161	1	IC6 74LS161
1	IC2 74LS161	1	IC7 74LS161
1	IC3 74LS161	1	IC8 74LS161
1	IC4 74LS161	1	IC9 74LS161
1	IC5 74LS161	1	IC10 74LS161
1	IC11 74LS161	1	IC12 74LS161
1	IC13 74LS161	1	IC14 74LS161
1	IC15 74LS161	1	IC16 74LS161
1	IC17 74LS161	1	IC18 74LS161
1	IC19 74LS161	1	IC20 74LS161
1	IC21 74LS161	1	IC22 74LS161
1	IC23 74LS161	1	IC24 74LS161
1	IC25 74LS161	1	IC26 74LS161
1	IC27 74LS161	1	IC28 74LS161
1	IC29 74LS161	1	IC30 74LS161
1	IC31 74LS161	1	IC32 74LS161
1	IC33 74LS161	1	IC34 74LS161
1	IC35 74LS161	1	IC36 74LS161
1	IC37 74LS161	1	IC38 74LS161
1	IC39 74LS161	1	IC40 74LS161
1	IC41 74LS161	1	IC42 74LS161
1	IC43 74LS161	1	IC44 74LS161
1	IC45 74LS161	1	IC46 74LS161
1	IC47 74LS161	1	IC48 74LS161
1	IC49 74LS161	1	IC50 74LS161
1	IC51 74LS161	1	IC52 74LS161
1	IC53 74LS161	1	IC54 74LS161
1	IC55 74LS161	1	IC56 74LS161
1	IC57 74LS161	1	IC58 74LS161
1	IC59 74LS161	1	IC60 74LS161
1	IC61 74LS161	1	IC62 74LS161
1	IC63 74LS161	1	IC64 74LS161
1	IC65 74LS161	1	IC66 74LS161
1	IC67 74LS161	1	IC68 74LS161
1	IC69 74LS161	1	IC70 74LS161
1	IC71 74LS161	1	IC72 74LS161
1	IC73 74LS161	1	IC74 74LS161
1	IC75 74LS161	1	IC76 74LS161
1	IC77 74LS161	1	IC78 74LS161
1	IC79 74LS161	1	IC80 74LS161
1	IC81 74LS161	1	IC82 74LS161
1	IC83 74LS161	1	IC84 74LS161
1	IC85 74LS161	1	IC86 74LS161
1	IC87 74LS161	1	IC88 74LS161
1	IC89 74LS161	1	IC90 74LS161
1	IC91 74LS161	1	IC92 74LS161
1	IC93 74LS161	1	IC94 74LS161
1	IC95 74LS161	1	IC96 74LS161
1	IC97 74LS161	1	IC98 74LS161
1	IC99 74LS161	1	IC100 74LS161

TEST POINTS

TEST POINT	DESCRIPTION
PH-1	PHONO 1
PH-2	PHONO 2
PH-3	PHONO 3
PH-4	PHONO 4
PH-5	PHONO 5
PH-6	PHONO 6
PH-7	PHONO 7
PH-8	PHONO 8
PH-9	PHONO 9
PH-10	PHONO 10
PH-11	PHONO 11
PH-12	PHONO 12
PH-13	PHONO 13
PH-14	PHONO 14
PH-15	PHONO 15
PH-16	PHONO 16
PH-17	PHONO 17
PH-18	PHONO 18
PH-19	PHONO 19
PH-20	PHONO 20
PH-21	PHONO 21
PH-22	PHONO 22
PH-23	PHONO 23
PH-24	PHONO 24
PH-25	PHONO 25
PH-26	PHONO 26
PH-27	PHONO 27
PH-28	PHONO 28
PH-29	PHONO 29
PH-30	PHONO 30
PH-31	PHONO 31
PH-32	PHONO 32
PH-33	PHONO 33
PH-34	PHONO 34
PH-35	PHONO 35
PH-36	PHONO 36
PH-37	PHONO 37
PH-38	PHONO 38
PH-39	PHONO 39
PH-40	PHONO 40
PH-41	PHONO 41
PH-42	PHONO 42
PH-43	PHONO 43
PH-44	PHONO 44
PH-45	PHONO 45
PH-46	PHONO 46
PH-47	PHONO 47
PH-48	PHONO 48
PH-49	PHONO 49
PH-50	PHONO 50
PH-51	PHONO 51
PH-52	PHONO 52
PH-53	PHONO 53
PH-54	PHONO 54
PH-55	PHONO 55
PH-56	PHONO 56
PH-57	PHONO 57
PH-58	PHONO 58
PH-59	PHONO 59
PH-60	PHONO 60
PH-61	PHONO 61
PH-62	PHONO 62
PH-63	PHONO 63
PH-64	PHONO 64
PH-65	PHONO 65
PH-66	PHONO 66
PH-67	PHONO 67
PH-68	PHONO 68
PH-69	PHONO 69
PH-70	PHONO 70
PH-71	PHONO 71
PH-72	PHONO 72
PH-73	PHONO 73
PH-74	PHONO 74
PH-75	PHONO 75
PH-76	PHONO 76
PH-77	PHONO 77
PH-78	PHONO 78
PH-79	PHONO 79
PH-80	PHONO 80
PH-81	PHONO 81
PH-82	PHONO 82
PH-83	PHONO 83
PH-84	PHONO 84
PH-85	PHONO 85
PH-86	PHONO 86
PH-87	PHONO 87
PH-88	PHONO 88
PH-89	PHONO 89
PH-90	PHONO 90
PH-91	PHONO 91
PH-92	PHONO 92
PH-93	PHONO 93
PH-94	PHONO 94
PH-95	PHONO 95
PH-96	PHONO 96
PH-97	PHONO 97
PH-98	PHONO 98
PH-99	PHONO 99
PH-100	PHONO 100

TEST POINTS

TEST POINT	DESCRIPTION
PH-1	PHONO 1
PH-2	PHONO 2
PH-3	PHONO 3
PH-4	PHONO 4
PH-5	PHONO 5
PH-6	PHONO 6
PH-7	PHONO 7
PH-8	PHONO 8
PH-9	PHONO 9
PH-10	PHONO 10
PH-11	PHONO 11
PH-12	PHONO 12
PH-13	PHONO 13
PH-14	PHONO 14
PH-15	PHONO 15
PH-16	PHONO 16
PH-17	PHONO 17
PH-18	PHONO 18
PH-19	PHONO 19
PH-20	PHONO 20
PH-21	PHONO 21
PH-22	PHONO 22
PH-23	PHONO 23
PH-24	PHONO 24
PH-25	PHONO 25
PH-26	PHONO 26
PH-27	PHONO 27
PH-28	PHONO 28
PH-29	PHONO 29
PH-30	PHONO 30
PH-31	PHONO 31
PH-32	PHONO 32
PH-33	PHONO 33
PH-34	PHONO 34
PH-35	PHONO 35
PH-36	PHONO 36
PH-37	PHONO 37
PH-38	PHONO 38
PH-39	PHONO 39
PH-40	PHONO 40
PH-41	PHONO 41
PH-42	PHONO 42
PH-43	PHONO 43
PH-44	PHONO 44
PH-45	PHONO 45
PH-46	PHONO 46
PH-47	PHONO 47
PH-48	PHONO 48
PH-49	PHONO 49
PH-50	PHONO 50
PH-51	PHONO 51
PH-52	PHONO 52
PH-53	PHONO 53
PH-54	PHONO 54
PH-55	PHONO 55
PH-56	PHONO 56
PH-57	PHONO 57
PH-58	PHONO 58
PH-59	PHONO 59
PH-60	PHONO 60
PH-61	PHONO 61
PH-62	PHONO 62
PH-63	PHONO 63
PH-64	PHONO 64
PH-65	PHONO 65
PH-66	PHONO 66
PH-67	PHONO 67
PH-68	PHONO 68
PH-69	PHONO 69
PH-70	PHONO 70
PH-71	PHONO 71
PH-72	PHONO 72
PH-73	PHONO 73
PH-74	PHONO 74
PH-75	PHONO 75
PH-76	PHONO 76
PH-77	PHONO 77
PH-78	PHONO 78
PH-79	PHONO 79
PH-80	PHONO 80
PH-81	PHONO 81
PH-82	PHONO 82
PH-83	PHONO 83
PH-84	PHONO 84
PH-85	PHONO 85
PH-86	PHONO 86
PH-87	PHONO 87
PH-88	PHONO 88
PH-89	PHONO 89
PH-90	PHONO 90
PH-91	PHONO 91
PH-92	PHONO 92
PH-93	PHONO 93
PH-94	PHONO 94
PH-95	PHONO 95
PH-96	PHONO 96
PH-97	PHONO 97
PH-98	PHONO 98
PH-99	PHONO 99
PH-100	PHONO 100

REV	DATE	BY
A	128-90	ND
B	155-90	ND

380-0362-00 REV B
 APPROVED BY: [Signature]
 DATE: 8/23/90

380-0362-00 REV B
 APPROVED BY: [Signature]
 DATE: 8/23/90

380-0362-00 REV B
 APPROVED BY: [Signature]
 DATE: 8/23/90

380-0362-00 REV B
 APPROVED BY: [Signature]
 DATE: 8/23/90

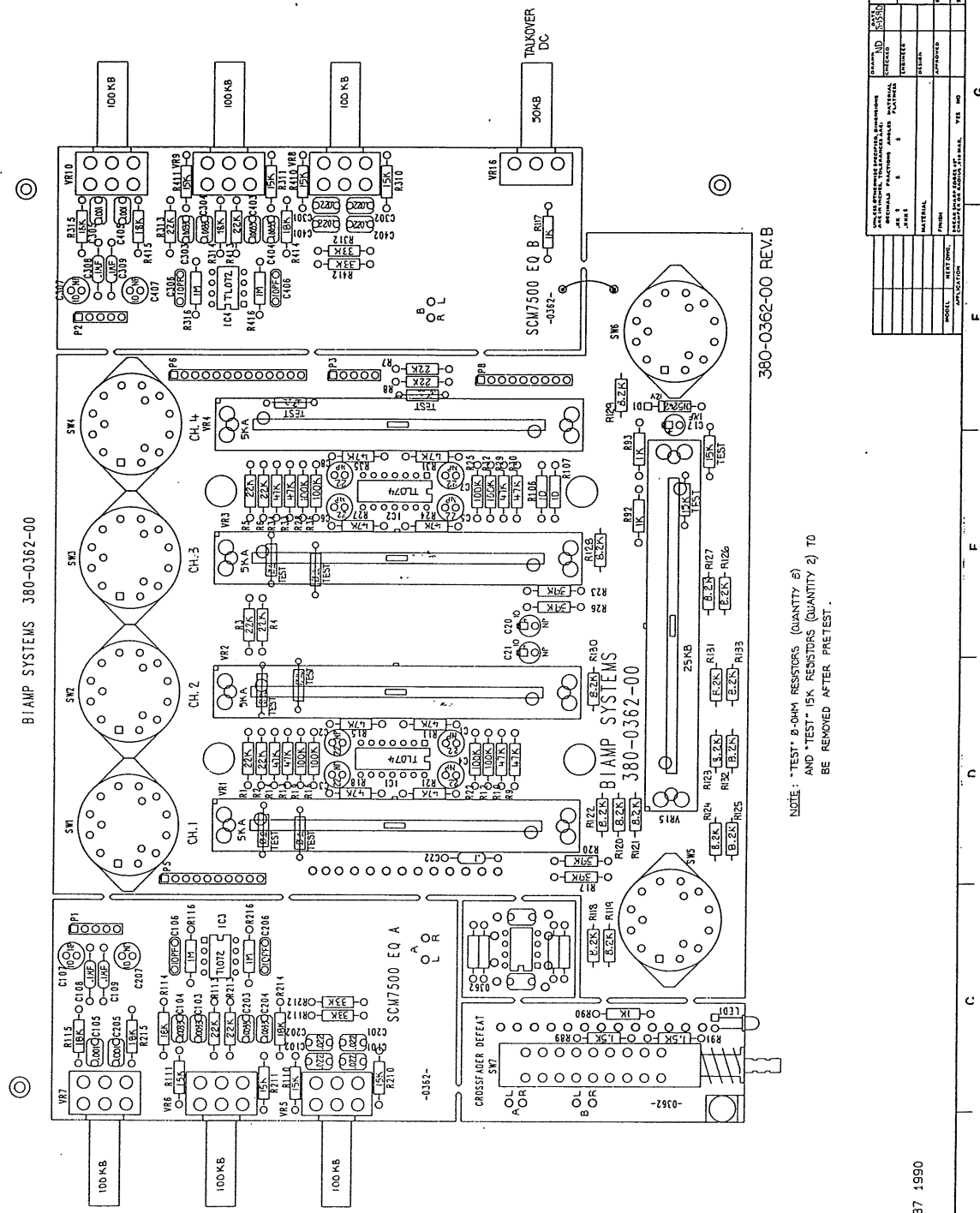
380-0362-00 REV B
 APPROVED BY: [Signature]
 DATE: 8/23/90

380-0362-00 REV B
 APPROVED BY: [Signature]
 DATE: 8/23/90

380-0362-00 REV B
 APPROVED BY: [Signature]
 DATE: 8/23/90

380-0362-00 REV B
 APPROVED BY: [Signature]
 DATE: 8/23/90

BIAMP SYSTEMS 380-0362-00



NOTE: *TEST* 6-04M RESISTORS (QUANTITY 6)
 AND *TEST* 15K RESISTORS (QUANTITY 2) TO
 BE REMOVED AFTER PRETEST.

3800362.job - Tue Aug 14 23:49:37 1990

REV	DATE	BY
A	128-90	ND
B	155-90	ND

380-0362-00 REV B
 APPROVED BY: [Signature]
 DATE: 8/23/90

380-0362-00 REV B
 APPROVED BY: [Signature]
 DATE: 8/23/90

380-0362-00 REV B
 APPROVED BY: [Signature]
 DATE: 8/23/90

380-0362-00 REV B
 APPROVED BY: [Signature]
 DATE: 8/23/90

380-0362-00 REV B
 APPROVED BY: [Signature]
 DATE: 8/23/90

380-0362-00 REV B
 APPROVED BY: [Signature]
 DATE: 8/23/90

380-0362-00 REV B
 APPROVED BY: [Signature]
 DATE: 8/23/90

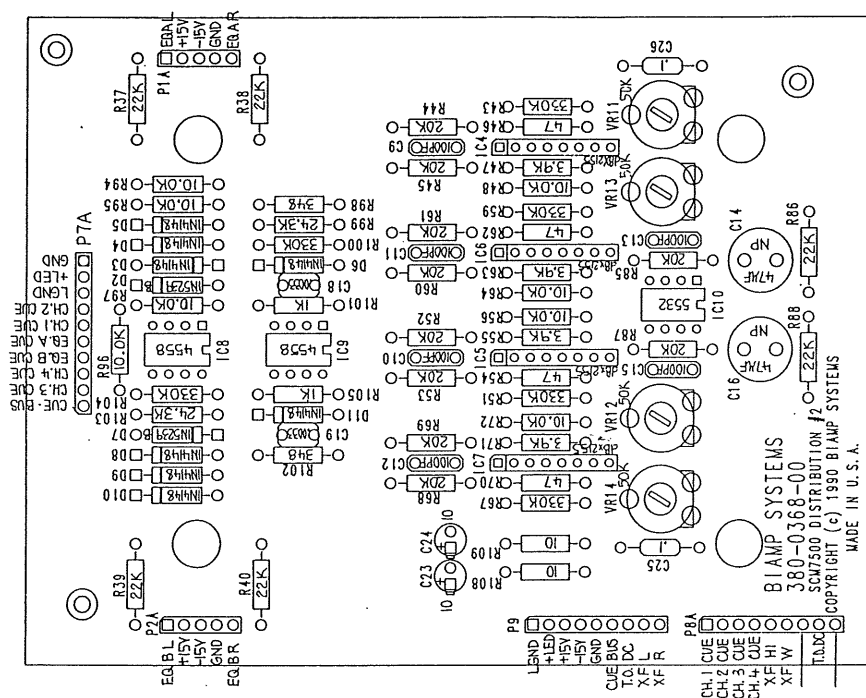
BIAMP SYSTEMS, INC.
 3800362-00 REV B
 APPROVED BY: [Signature]
 DATE: 8/23/90

BIAMP SYSTEMS, INC.
 3800362-00 REV B
 APPROVED BY: [Signature]
 DATE: 8/23/90

BIAMP SYSTEMS, INC.
 3800362-00 REV B
 APPROVED BY: [Signature]
 DATE: 8/23/90

BIAMP SYSTEMS, INC.
 3800362-00 REV B
 APPROVED BY: [Signature]
 DATE: 8/23/90

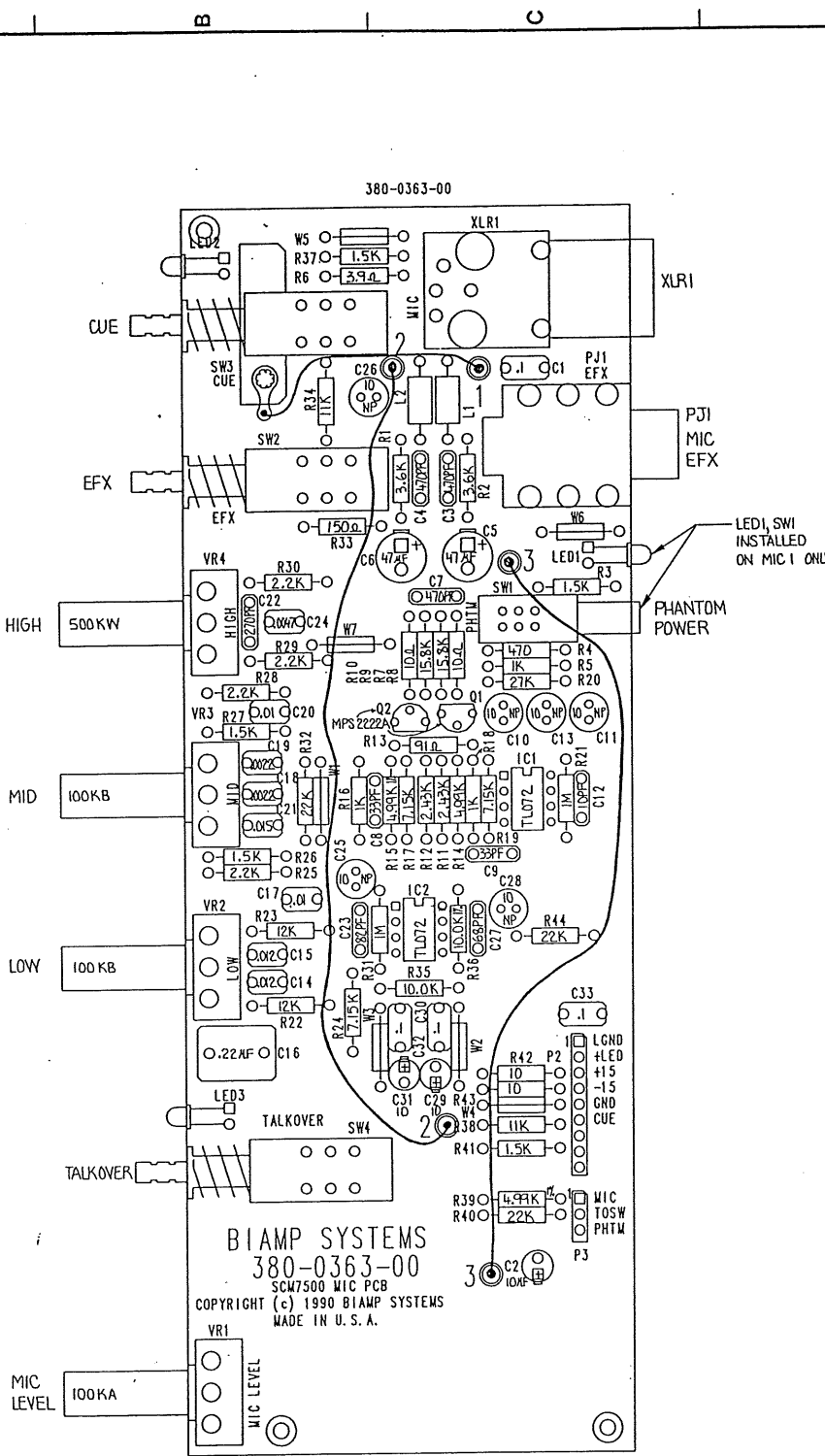
THIS DRAWING IS THE PROPERTY OF BIAMP SYSTEMS AND MUST BE RETURNED WITHOUT DELAY TO THE COMPANY AT THE ADDRESS INDICATED THEREON. THESE DIMENSIONS AND TOLERANCES ARE FOR INFORMATION ONLY. THE DIMENSIONS AND TOLERANCES SHOWN ON THIS DRAWING ARE THE DIMENSIONS AND TOLERANCES OF THE PARTS MANUFACTURED BY BIAMP SYSTEMS. THE DIMENSIONS AND TOLERANCES OF THE PARTS MANUFACTURED BY OTHERS ARE NOT GUARANTEED.



BIAMP SYSTEMS
14270 N. W. Science Park Drive
Portland, Oregon 97229
(503) 641-7287

380-0368-00 REVA
SCM7500 Distribution #2
Sheet 1 of 5 : Silkscreen

ITEM	PART NO.	DATE	DESCRIPTION	SIZE	QTY.
UNLESS OTHERWISE SPECIFIED, DIMENSIONS ARE IN INCHES. TOLERANCES ARE:	000000	8/25/90	BIAMP SYSTEMS		
DECIMALS FRACTIONS ANGLES PLACES			SCM 7500 DISTRIBUTION #2		
XXX			COMPONENT LAYOUT		
MATERIAL					
FINISH					
ESCAPE FROM PAGES 316 MAX. YES NO					
SCALE 2/1					DO NOT SCALE DRAWING
					SHEET 1 OF 5



BIAMP SYSTEMS
 380-0363-00
 SCM7500 MIC PCB
 COPYRIGHT (c) 1990 BIAMP SYSTEMS
 MADE IN U.S.A.

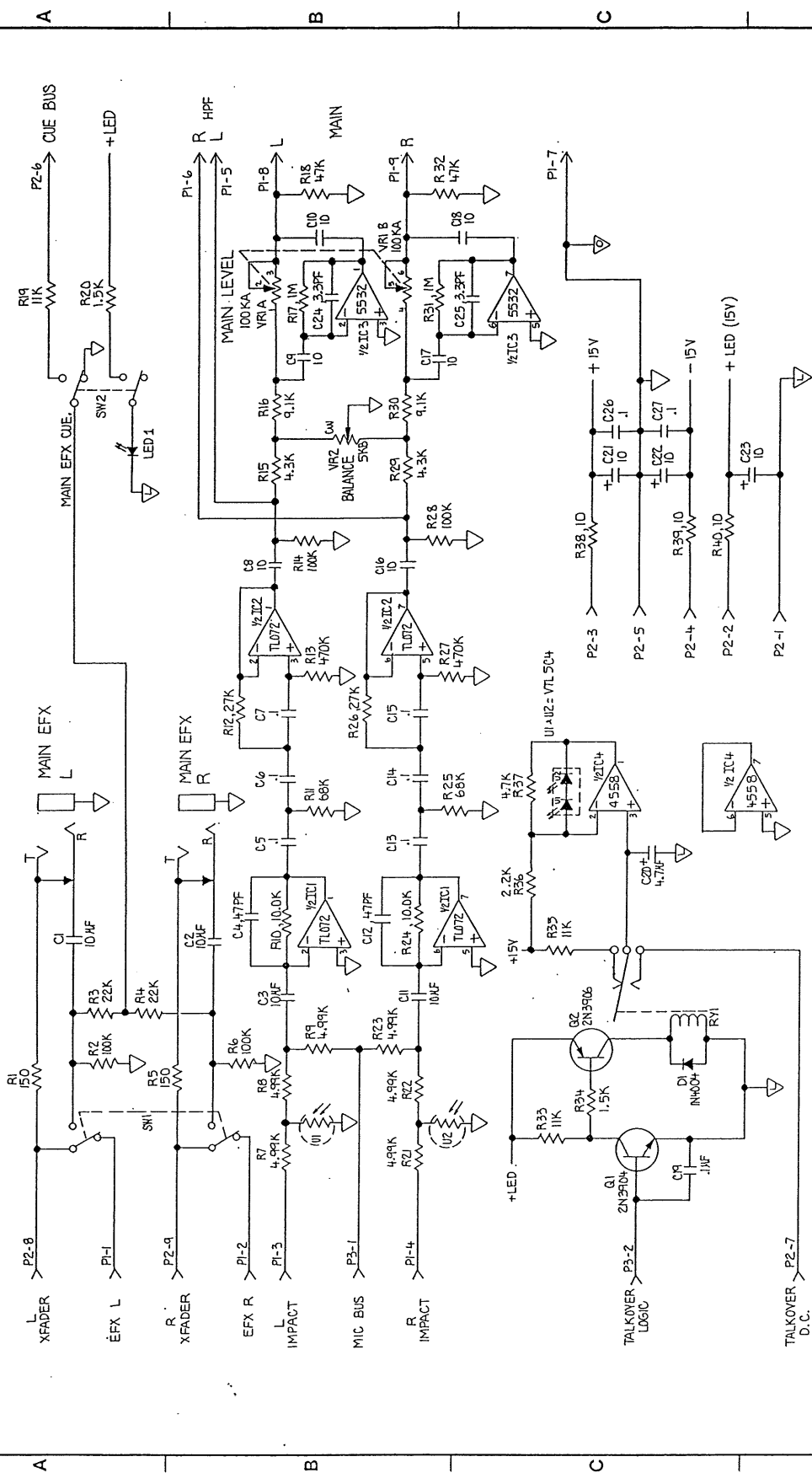
ITEM	PART NO.	DESCRIPTION	SIZE	QTY.
1	DRN 10	SCM 7500 MIC PCB		1
2	CREATED	ENGINEER		
3	DESIGN	DESIGN		
4	APPROVED	APPROVED		
5	FINISH	FINISH		
6	MODEL	MODEL		
7	APPLICATION	APPLICATION		
8	UNLESS OTHERWISE SPECIFIED, DIMENSIONS ARE IN INCHES, TOLERANCES ARE:			
9	FRACTIONS UNLESS OTHERWISE SPECIFIED			
10	DECIMALS UNLESS OTHERWISE SPECIFIED			
11	ANGLES UNLESS OTHERWISE SPECIFIED			
12	MATERIAL			
13	FINISH			
14	MODEL			
15	APPLICATION			
16	SCALE 2/1	DO NOT SCALE DRAWING		
17	REV. C	IMP. NO. 701-0363-00		
18	SCALE 2/1	DO NOT SCALE DRAWING		
19	SHEET 1 OF 1			

THIS DRAWING IS THE PROPERTY OF BIAMP SYSTEMS, AND NOT BE REPRODUCED OR TRANSMITTED IN ANY FORM OR BY ANY MEANS, ELECTRONIC OR MECHANICAL, INCLUDING PHOTOCOPYING, RECORDING, OR BY ANY INFORMATION STORAGE AND RETRIEVAL SYSTEM, WITHOUT THE WRITTEN PERMISSION OF BIAMP SYSTEMS. THE INFORMATION CONTAINED HEREIN IS UNCLASSIFIED AND NOT BE RELEASED UNDER E.O. 13526.

1
 2
 3
 4

A 120-90 14743 OUTPUT GRID 380-0364-00 REV. A 1041-90 ND
 B 1049-91 14743 D R13 AND R25-R27 1411-91 ND

THIS DRAWING IS THE PROPERTY OF BIAMP SYSTEMS, AND MUST BE RETURNED TO BIAMP SYSTEMS UPON COMPLETION OF THE PROJECT. IT MUST BE PROTECTED AGAINST DISSEMINATION TO ANYONE OTHER THAN THE AUTHORIZED PERSONNEL. THE INFORMATION CONTAINED HEREON IS UNCLASSIFIED EXCEPT WHERE SHOWN OTHERWISE.

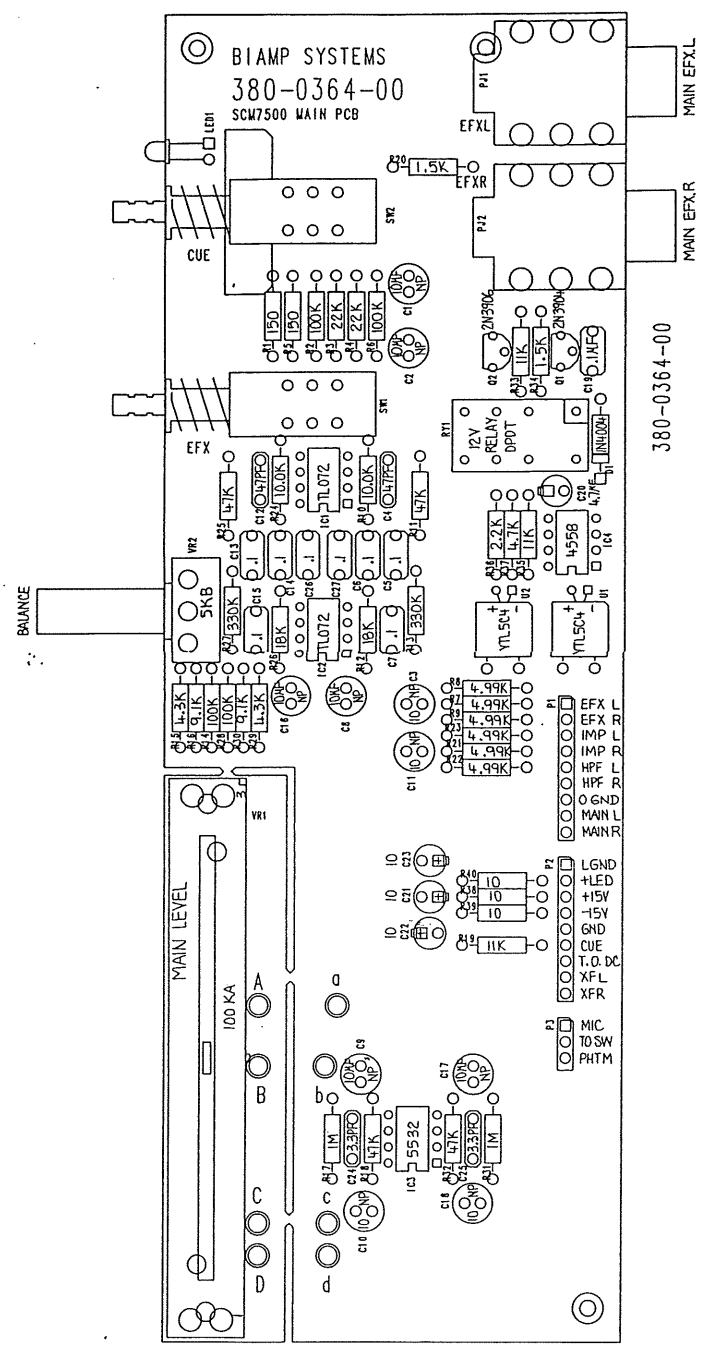


ITEM	DESCRIPTION	SIZE	QTY.
1	BIAMP SYSTEMS		
2	SCM 7500 MAIN PCB		
3	SCHEMATIC		

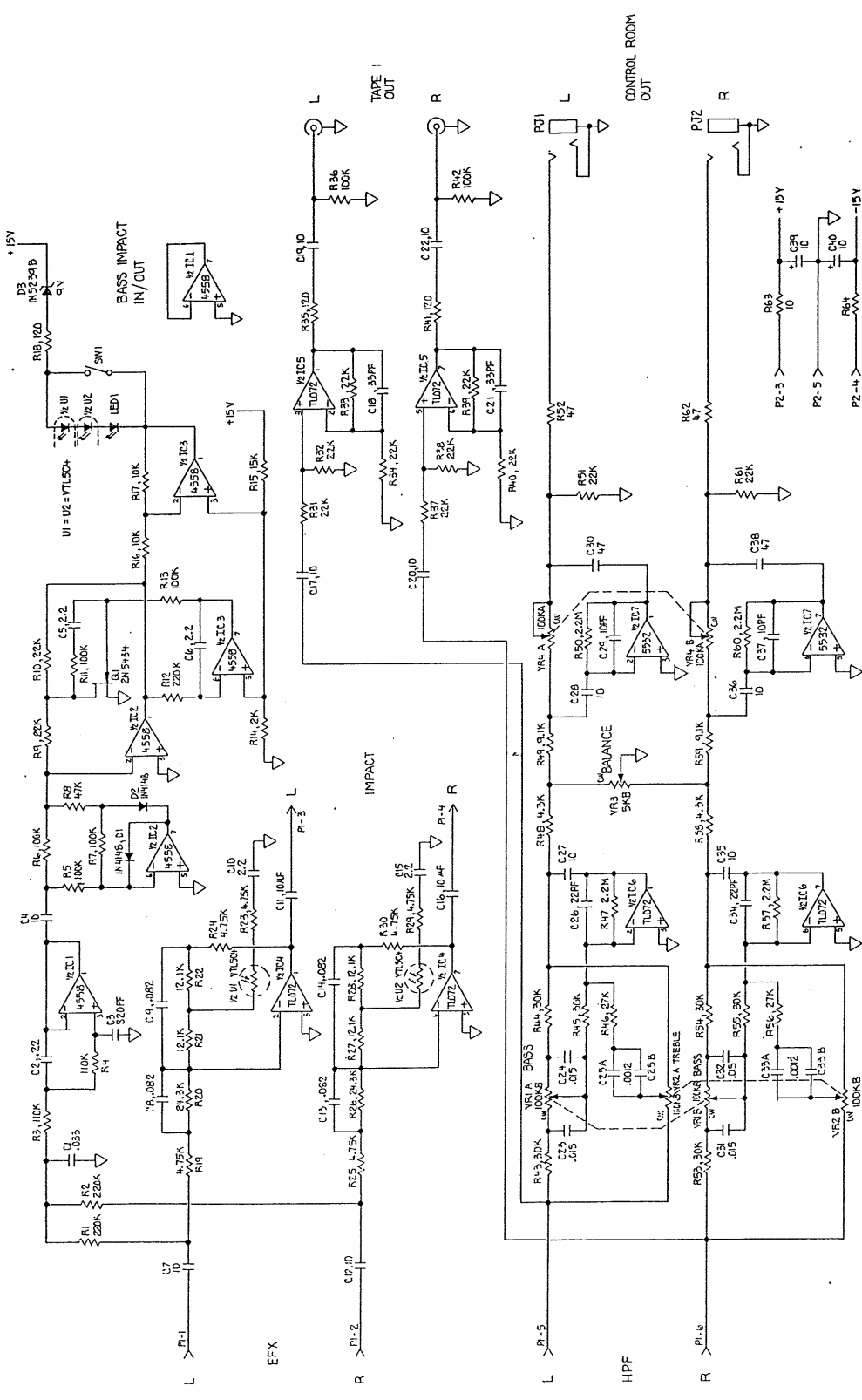
DATE	10/05/91
DESIGNED BY	
CHECKED BY	
ENGINEER	
DESIGN	
APPROVED	
FINISH	
MODEL	
NEXT DWG.	
APPLICATION	

A 12B-50 ADD OUTPUT GND 10-11-89 ND

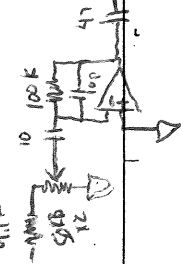
THIS DRAWING IS THE PROPERTY OF BIAMP SYSTEMS AND MUST BE RETURNED TO THE ORIGINATOR. ANY REPRODUCTION OR TRANSMISSION OF THIS DRAWING IN ANY FORM OR BY ANY MEANS WITHOUT THE WRITTEN PERMISSION OF BIAMP SYSTEMS IS PROHIBITED. THE INFORMATION CONTAINED HEREON IS UNCLASSIFIED EXCEPT WHERE SHOWN OTHERWISE.



ITEM	PART NO.	DESCRIPTION	SIZE	QTY.
BIAMP SYSTEMS				
SCM 7500 MAIN PCB COMPONENT LAYOUT				
DATE: 12-27-80				
DRAWN BY: ND				
CHECKED BY: [Signature]				
DESIGNED BY: [Signature]				
APPROVED BY: [Signature]				
SCALE: NONE				
DO NOT SCALE DRAWING				
SHEET 1 OF 1				

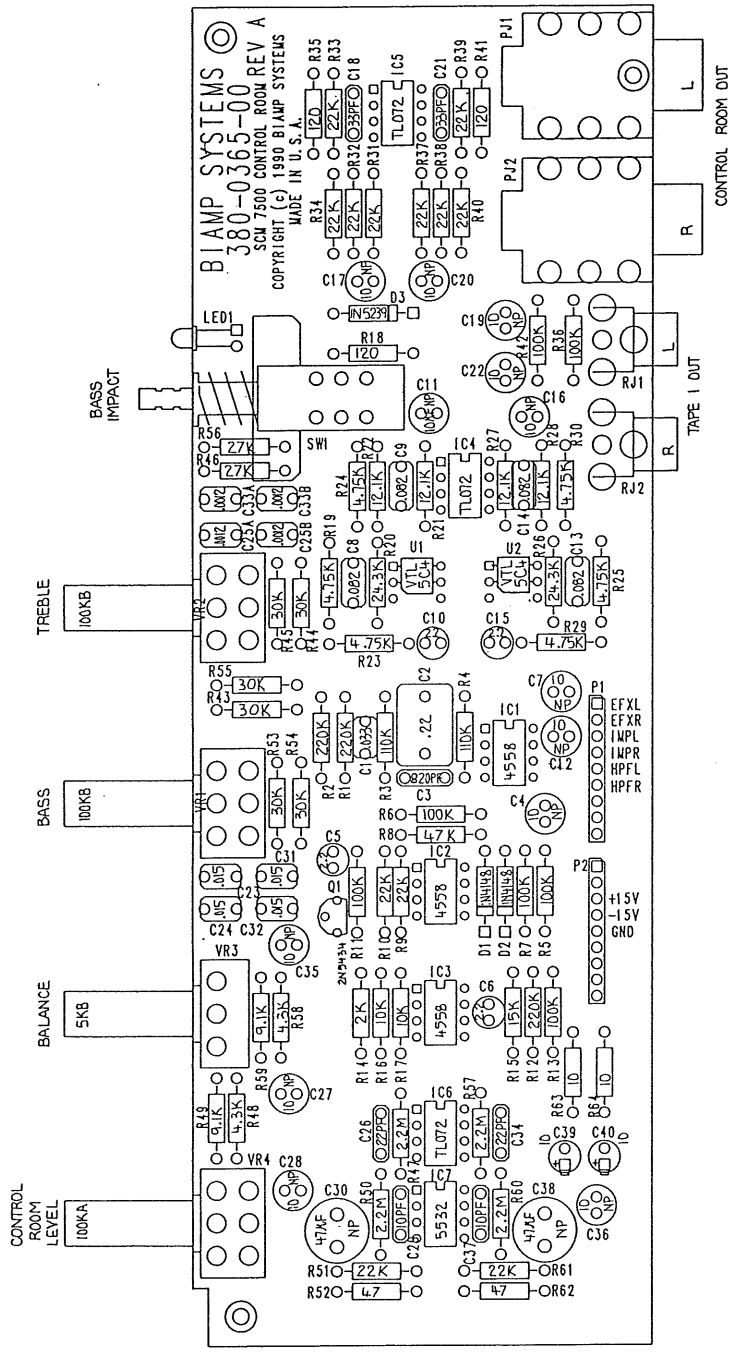


- LIST
- R 64
 - R 65
 - C 47
 - C 48
 - C 49
 - C 50
 - C 51
 - C 52
 - C 53
 - C 54
 - C 55
 - C 56
 - C 57
 - C 58
 - C 59
 - C 60
 - C 61
 - C 62
 - C 63
 - C 64
 - C 65
 - C 66
 - C 67
 - C 68
 - C 69
 - C 70
 - C 71
 - C 72
 - C 73
 - C 74
 - C 75
 - C 76
 - C 77
 - C 78
 - C 79
 - C 80
 - C 81
 - C 82
 - C 83
 - C 84
 - C 85
 - C 86
 - C 87
 - C 88
 - C 89
 - C 90
 - C 91
 - C 92
 - C 93
 - C 94
 - C 95
 - C 96
 - C 97
 - C 98
 - C 99
 - C 100



DATE	NO.	REV.	BY
10/78	1		
DESIGNED BY	CHECKED BY	APPROVED BY	DATE
blamp BLAMP SYSTEMS INC. 1000 W. 10TH AVENUE, SUITE 100 PORTLAND, OR 97207			
SCM 7500 CONTROL ROOM PCB SCHEMATIC			
PROJECT NO.	REV.	DATE	BY
700-0365-00	1		
DESIGNED BY	CHECKED BY	APPROVED BY	DATE
MODEL: REF. DIM.: PART NO.: VER. NO.: 1000 W. 10TH AVENUE, SUITE 100, PORTLAND, OR 97207			
SHEET 1 OF 1			

THIS DRAWING IS THE PROPERTY OF BIAMP SYSTEMS, AND MUST BE RETURNED TO THE COMPANY IMMEDIATELY UPON COMPLETION OF THE PROJECT. IT MAY BE REPRODUCED OR TRANSMITTED IN ANY FORM OR BY ANY MEANS, WITHOUT PERMISSION IN WRITING FROM BIAMP SYSTEMS. THE INFORMATION CONTAINED HEREIN IS UNCLASSIFIED EXCEPT WHERE SHOWN OTHERWISE.

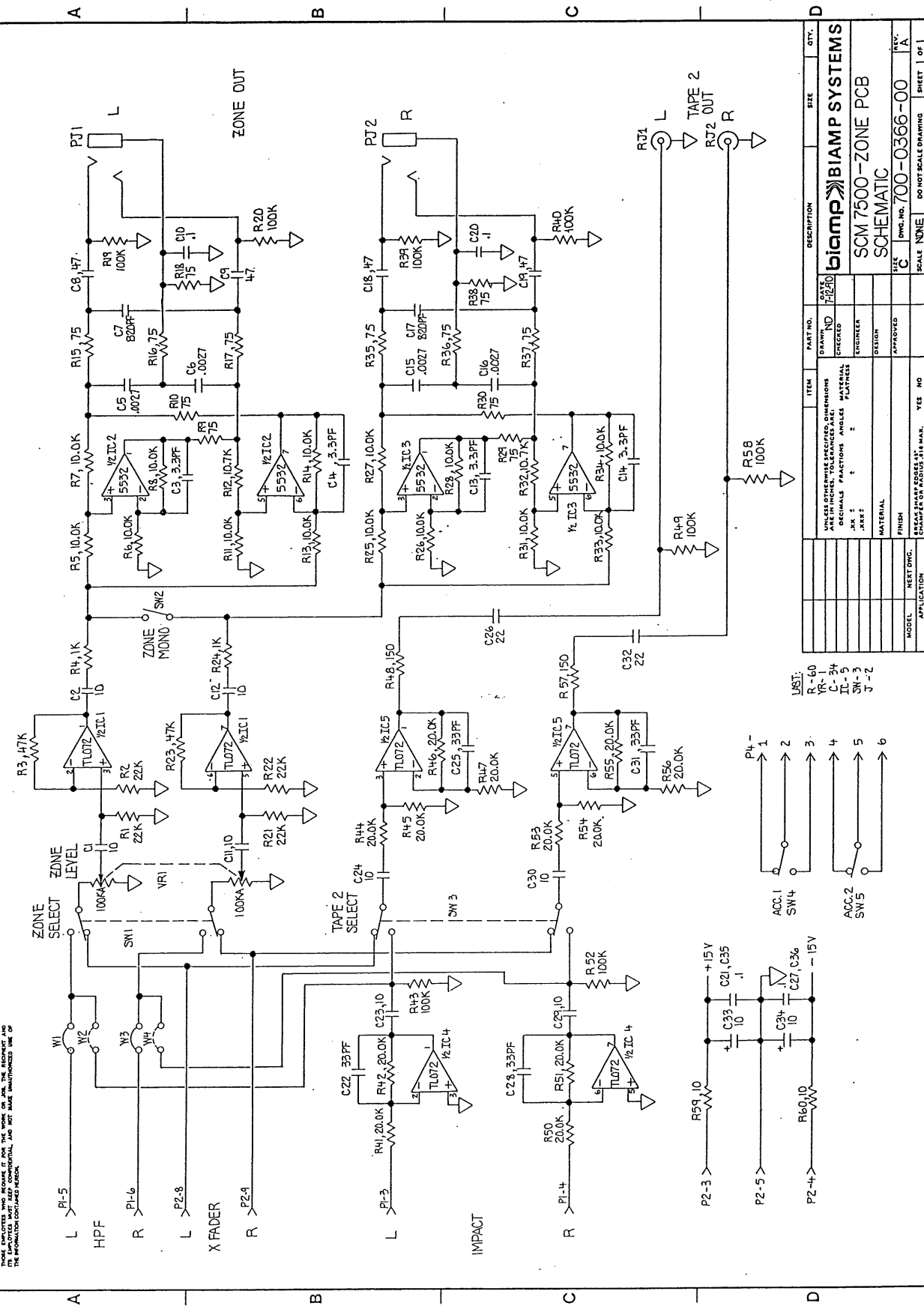


Sheet 1 of 5 : Silkscreen

380-0365-00 REV A

BIAMP SYSTEMS
14270 N.W. Science Park Drive
Portland, Oregon 97229
(503) 641-7287

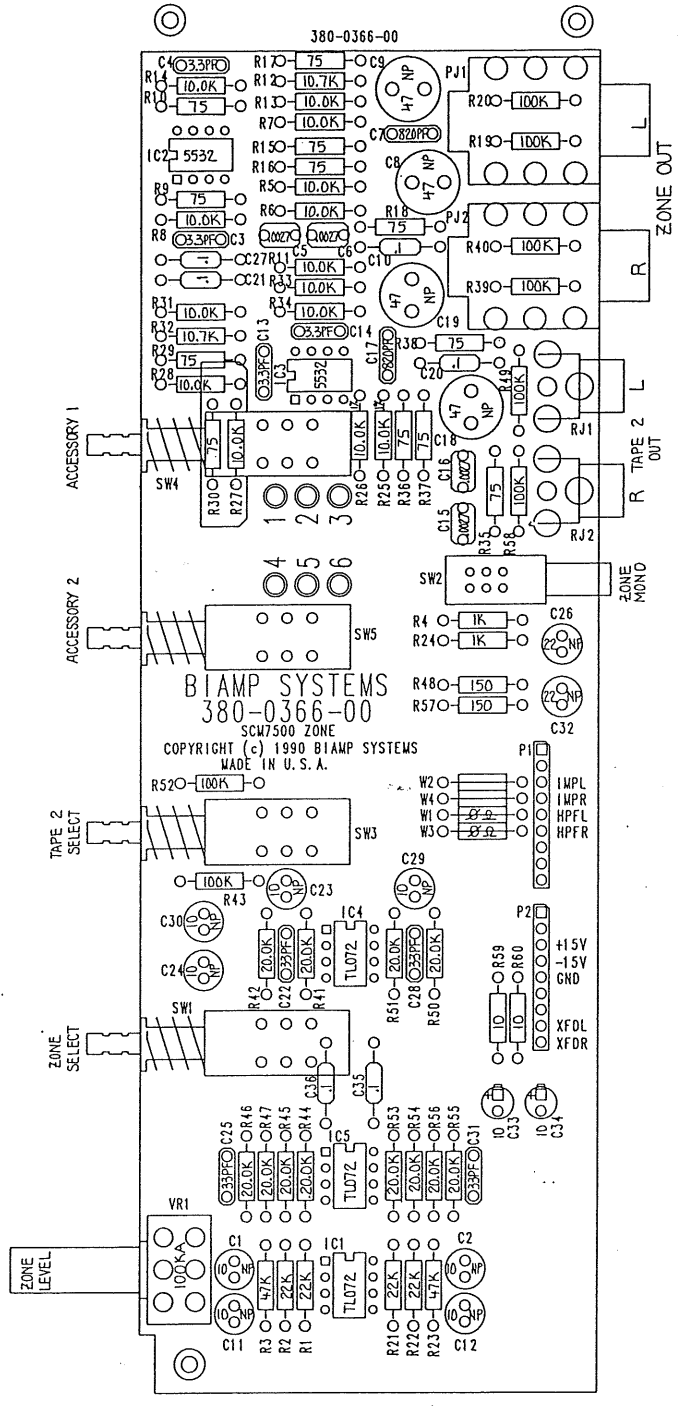
ITEM	PART NO.	DESCRIPTION	SIZE	QTY.
UNLESS OTHERWISE SPECIFIED, DIMENSIONS ARE IN INCHES AND DECIMALS ARE IN THIRDS.	ND 95510	BIAMP SYSTEMS		
RESISTORS	RES	RESISTORS		
CAPACITORS	CAP	CAPACITORS		
POTENTIOMETERS	POT	POTENTIOMETERS		
IC'S	IC	IC'S		
PRINTED CIRCUIT BOARD	PCB	PCB		
FINISH	FIN	FINISH		
SCALE	SCALE	DO NOT SCALE DRAWING		
SHEET 1 OF 5				



DATE	DESCRIPTION	PART NO.	ITEM	QUANTITY
11/23/90	HEAD			
biamp BIAMP SYSTEMS				
SCM 7500-ZONE PCB				
SCHEMATIC				
SIZE	C	DRW. NO.	700-0366-00	REV. A
SCALE	NONE	DO NOT SCALE DRAWING		SHEET 1 OF 1

THIS DRAWING IS THE PROPERTY OF BIAMP SYSTEMS AND MUST BE RETURNED TO THE COMPANY IF IT IS NOT RETURNED TO THE COMPANY WITHIN 30 DAYS OF THE DATE OF DELIVERY. THIS DRAWING IS NOT TO BE USED FOR REPRODUCTION OR FOR THE FABRICATION OF EQUIPMENT WITHOUT THE WRITTEN PERMISSION OF BIAMP SYSTEMS. THE INFORMATION CONTAINED HEREON IS UNCLASSIFIED.

THE BUYER IS THE PROPERTY OF BIAMP SYSTEMS. THE BUYER SHALL BE RESPONSIBLE FOR THE PROTECTION OF THIS DRAWING. ANY REPRODUCTION OR TRANSMISSION OF THIS DRAWING WITHOUT THE WRITTEN PERMISSION OF BIAMP SYSTEMS IS PROHIBITED. BIAMP SYSTEMS SHALL NOT BE HELD RESPONSIBLE FOR ANY DAMAGE TO OR LOSS OF DATA OR INFORMATION RESULTING FROM THE USE OF THIS DRAWING. BIAMP SYSTEMS SHALL NOT BE HELD RESPONSIBLE FOR ANY DAMAGE TO OR LOSS OF DATA OR INFORMATION RESULTING FROM THE USE OF THIS DRAWING.



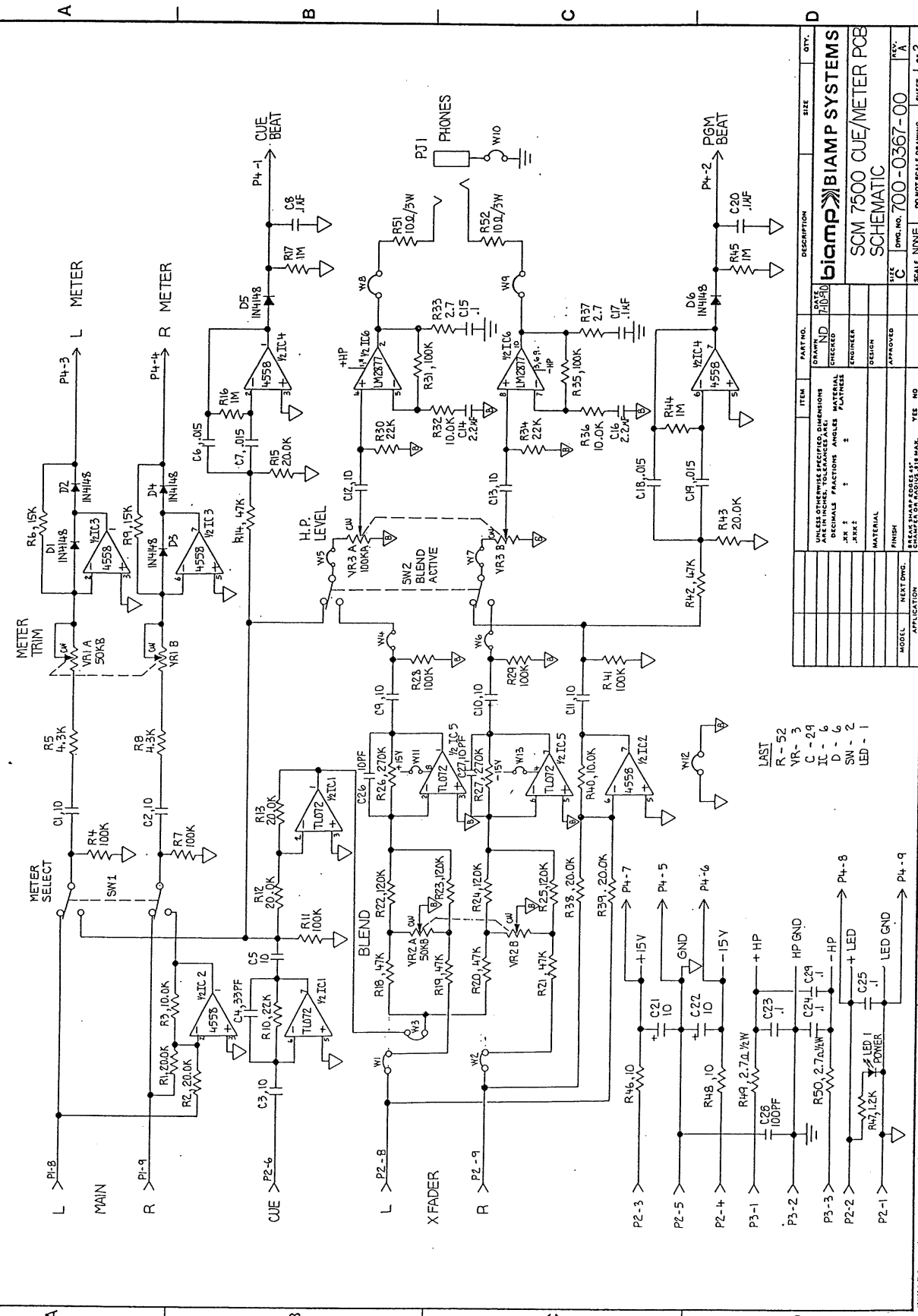
ITEM	PART NO.	DATE	DESCRIPTION	SIZE	QTY.
UNLESS OTHERWISE SPECIFIED, DIMENSIONS ARE IN INCHES. FRACTIONS ARE IN 16THS.	DRW NO. 82750	8/2/90	BIAMP SYSTEMS		
DECIMALS ARE IN 10THS.	CHECKED		SCM 7500 ZONE PCB		
ANGLES ARE IN DEGREES.	DESIGNED		COMPONENT LAYOUT		
PLATE 1	APPROVED				
MATERIAL					
FINISH					
BREAK SPACES, DIMENSIONS, AND TOLERANCES ARE IN INCHES.	YES	NO			
SCALE 2/1	DO NOT SCALE DRAWING				
					4
					3
					2
					1

A B C D

B C D

C D

D



ITEM	DESCRIPTION	SIZE	QTY.
1	PCB	7500	1
2	RESISTORS		100
3	CAPACITORS		100
4	IC'S		100
5	POTENTIOMETERS		100
6	TRIMMERS		100
7	SWITCHES		100
8	CONNECTORS		100
9	PHONES		100
10	METERS		100

MODEL	NEXT DWG.	APPLICATION	YES	NO

DESCRIPTION: **BIAMP SYSTEMS**
SCM 7500 CUE/METER PCB
Schematic

SCALE: NONE
DO NOT SCALE DRAWING

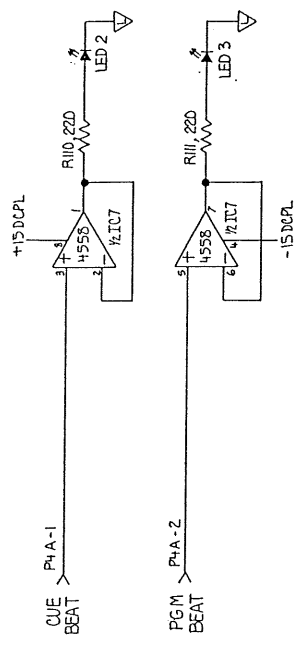
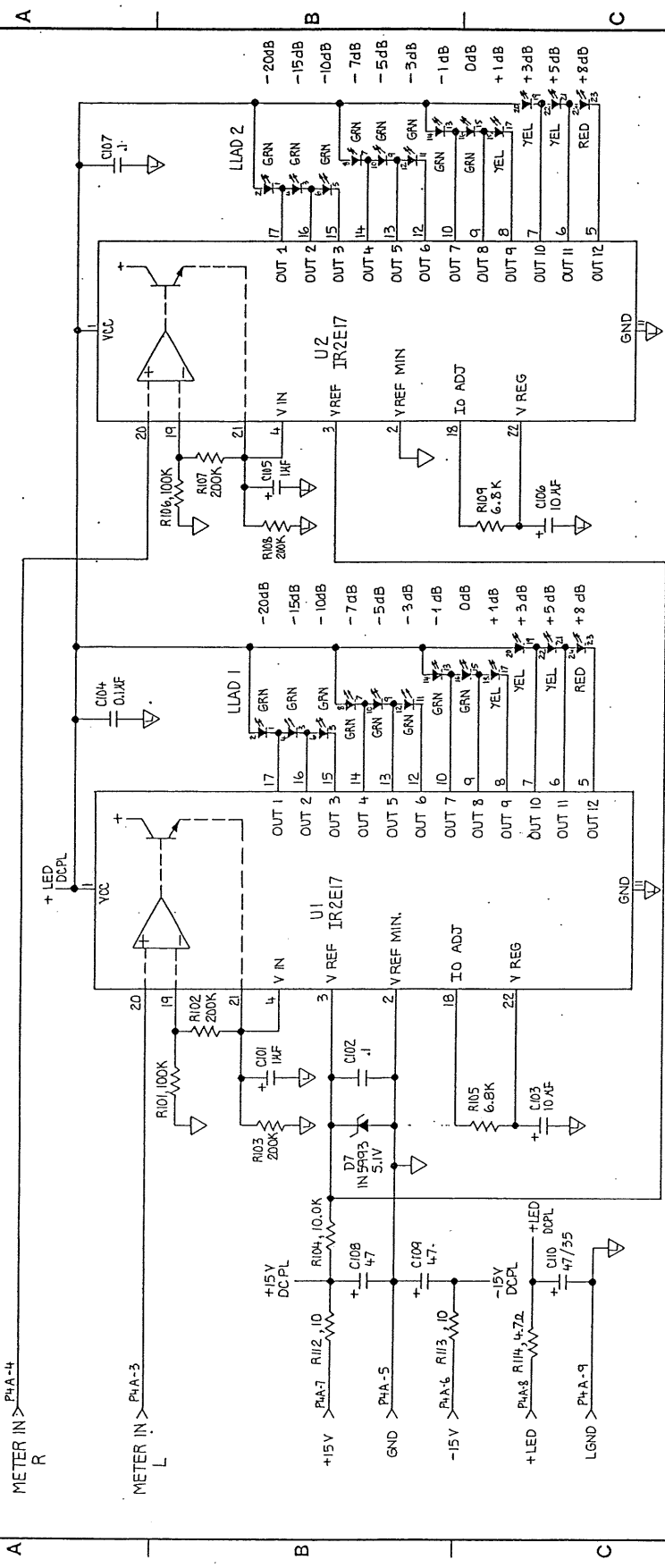
SHEET 1 OF 2

1
2
3
4

LAST
R - 52
VR - 3
C - 29
IC - 6
D - 6
SW - 2
LED - 1

1
2
3
4

WITHOUT CONSULTING AT FIRST, THE INFORMATION CONTAINED HEREIN IS UNCLASSIFIED EXCEPT WHERE SHOWN OTHERWISE. THIS INFORMATION IS UNCLASSIFIED EXCEPT WHERE SHOWN OTHERWISE. THIS INFORMATION IS UNCLASSIFIED EXCEPT WHERE SHOWN OTHERWISE. THIS INFORMATION IS UNCLASSIFIED EXCEPT WHERE SHOWN OTHERWISE.



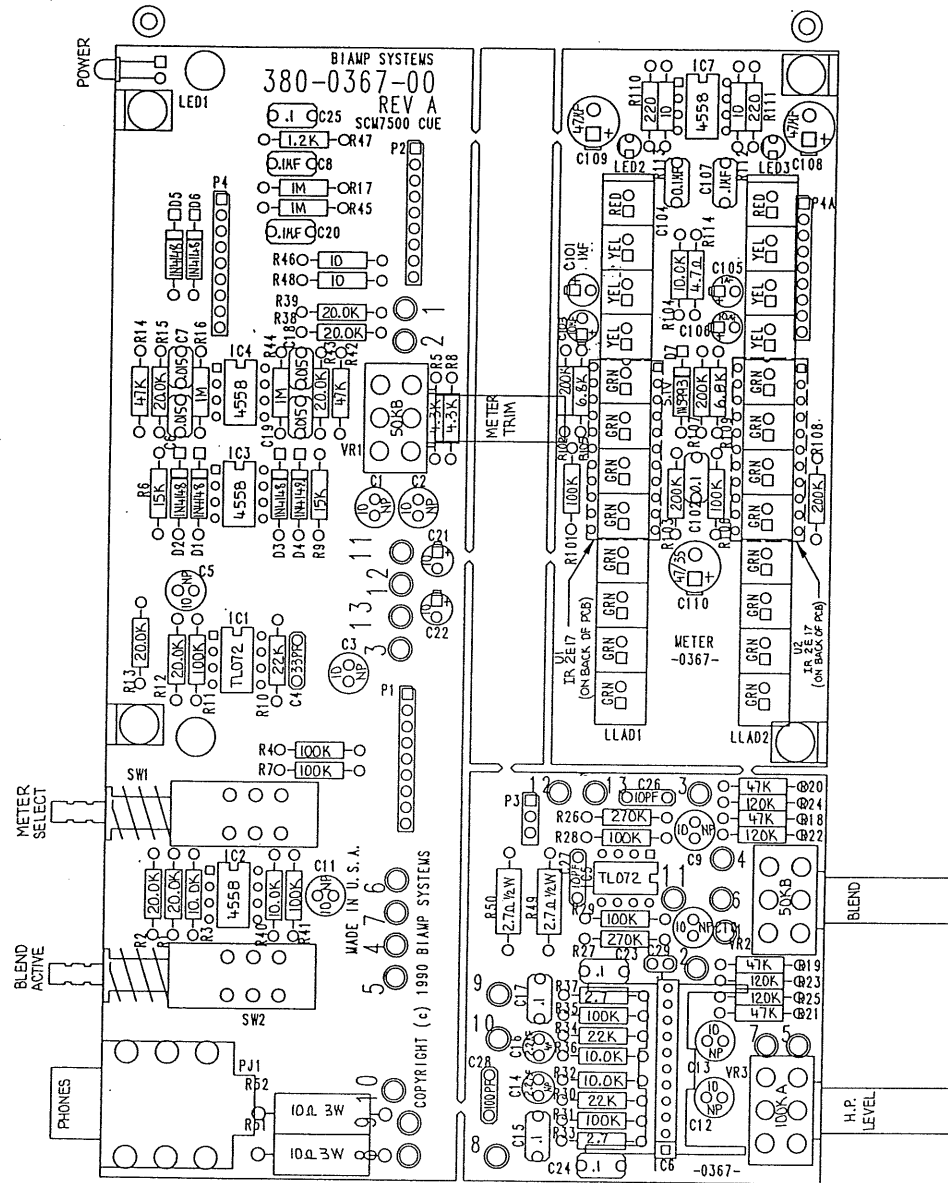
- LAST
- R 13
- C 10
- U 2
- LED 2
- IC 2

ITEM	DESCRIPTION	SIZE	QTY.
1	SCM 7500 CUE/METER PCB		1
2	SCHEMATIC		1
3	SCALE NINE		1
4	DO NOT SCALE DRAWING		1
5	SHEET 2 OF 2		1

MODEL	NEXT DWG.	APPLICATION

ITEM	DESCRIPTION	SIZE	QTY.
1	SCM 7500 CUE/METER PCB		1
2	SCHEMATIC		1
3	SCALE NINE		1
4	DO NOT SCALE DRAWING		1
5	SHEET 2 OF 2		1

1. 1125-10 1200-02367-00 REV A HLM 10-9-80 ND



BIAMP SYSTEMS
 14270 N. W. Science Park Drive
 Portland, Oregon 97229
 (503) 641-7287

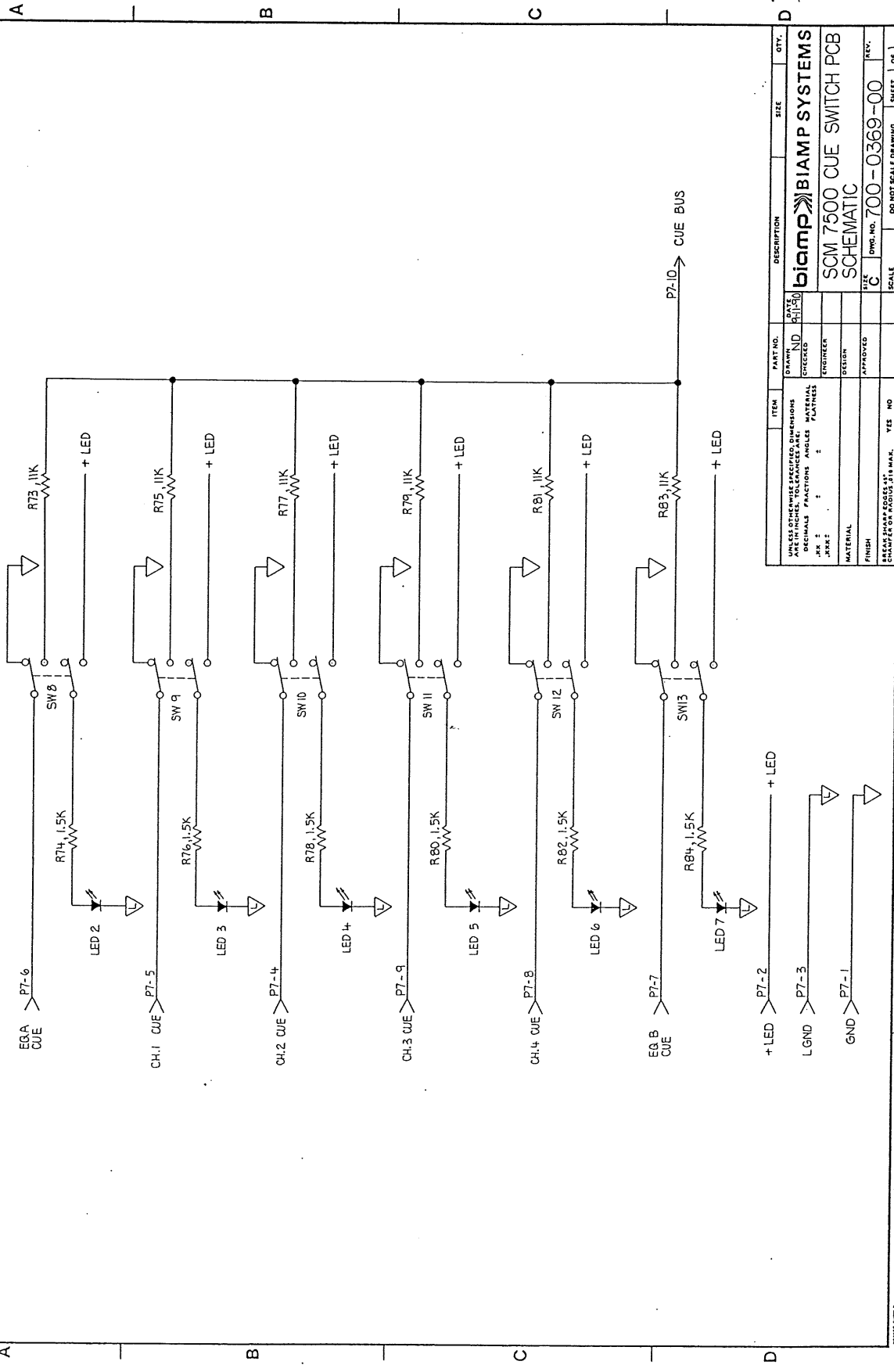
SCM7500 CUE/METER PCB 380-0367-00 REV A

Sheet 1 of 5: Silkscreen

ITEM	PART NO.	DESCRIPTION	SIZE	QTY.
<p>biamp BIAMP SYSTEMS</p>				
<p>SCM 7500 CUE/METER PCB</p>				
<p>COMPONENT LAYOUT</p>				
<p>SCALE 2/1 DO NOT SCALE DRAWING SHEET 1 OF 1</p>				
<p>UNLESS OTHERWISE SPECIFIED, DIMENSIONS ARE IN INCHES, TOLERANCES ARE AS SHOWN. DIMENSIONS IN PARENTHESES ARE FOR REFERENCE ONLY. MATERIAL SPECIFICATIONS ARE AS SHOWN. FINISH: ENAMEL. APPROVED: [Signature]</p>				
<p>DATE: 10-25-80</p>				
<p>DESIGNED BY: [Name]</p>				
<p>ENGINEER: [Name]</p>				
<p>DESIGN: [Name]</p>				
<p>APPROVED: [Signature]</p>				
<p>MATERIAL: [Name]</p>				
<p>FINISH: [Name]</p>				
<p>CHARACTERISTICS: [Name]</p>				
<p>YES NO</p>				
<p>3</p>				
<p>4</p>				

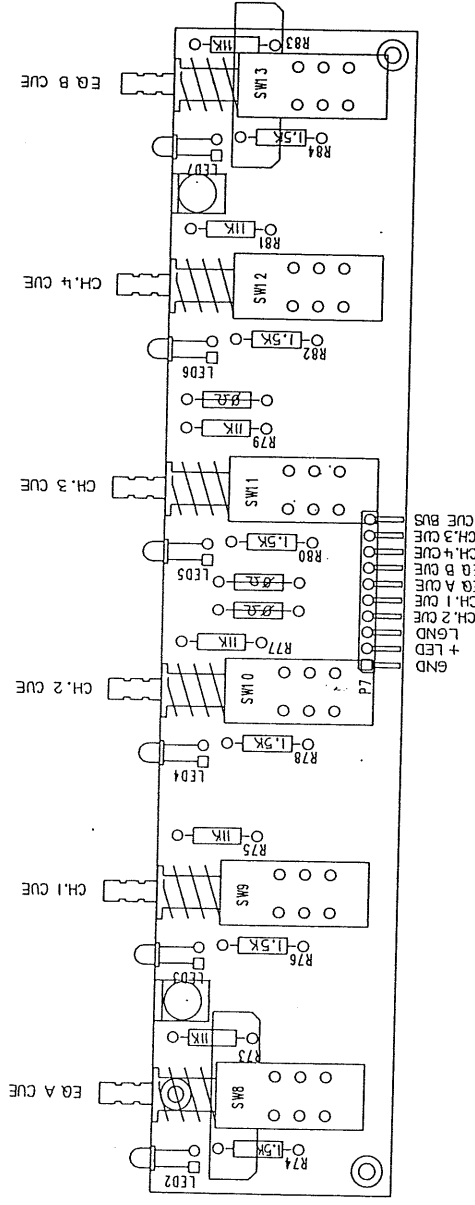
WITHOUT INDICATION AT ANY TIME ON REQUEST, WHILE IN THE POSSESSION OF THESE DOCUMENTS, THE INFORMATION CONTAINED HEREIN IS TO BE KEPT CONFIDENTIAL AND NOT BE DISSEMINATED TO ANY OTHER PERSON OR ORGANIZATION WITHOUT THE WRITTEN AUTHORIZATION OF BIAMP SYSTEMS.

THIS DRAWING IS THE PROPERTY OF BIAMP SYSTEMS, INC. AND IS NOT TO BE REPRODUCED OR TRANSMITTED IN ANY FORM OR BY ANY MEANS, ELECTRONIC OR MECHANICAL, INCLUDING PHOTOCOPYING, RECORDING, OR BY ANY INFORMATION STORAGE AND RETRIEVAL SYSTEM. ANY UNAUTHORIZED USE OF THIS DRAWING IS PROHIBITED. BIAMP SYSTEMS, INC. ACCEPTS NO LIABILITY FOR ANY DAMAGE OR LOSS OF PROFITS, BUSINESS, OR REPUTATION, OR FOR ANY SPECIAL, INCIDENTAL, OR CONSEQUENTIAL DAMAGES, WHETHER IN A CONTRACT OR OTHERWISE, ARISING OUT OF OR FROM THE USE OF THIS DRAWING. THE INFORMATION CONTAINED HEREON IS UNCLASSIFIED.



ITEM	PART NO.	DATE	DESCRIPTION	SIZE	QTY.
UNLESS OTHERWISE SPECIFIED, DIMENSIONS ARE IN INCHES, TOLERANCES ARE: FRACTIONS ANGLES PLATING .0005 .0005 .0005					
BIAMP SYSTEMS					
SCM 7500 CUE SWITCH PCB SCHEMATIC					
SCALE DO NOT SCALE DRAWING SHEET 1 OF 1					
FINISH					
MATERIAL					
ENGINEER					
DESIGN					
APPROVED					
DRAWN					
CHECKED					
DATE					
REV.					
DWG. NO. 700-0369-00					

WITHOUT INDICATING IT WITH THE ANGLE, THE POSITION OF THE PROFILES, IT MUST BE PROTECTED AGAINST COLLISION TO THE POINTS OF THE PROFILES, THE INFORMATION AND THE INFORMATION CONTAINED HEREIN.



PART NO.		DESCRIPTION		SIZE	QTY.
DRAWN NO. 7-2071		DATE 7-20-71		BIAMP SYSTEMS	
ENGINEER		DESIGNER		SCM 7500 CUE SWITCH PCB	
MATERIAL		FINISH		COMPONENT LAYOUT	
MATERIAL		FINISH		SIZE C	
MATERIAL		FINISH		IMP. NO. 701-0369-00	
MATERIAL		FINISH		SCALE 2/1	
MATERIAL		FINISH		DO NOT SCALE DRAWING	
MATERIAL		FINISH		SHEET 1 OF 1	

1 2 3 4

