

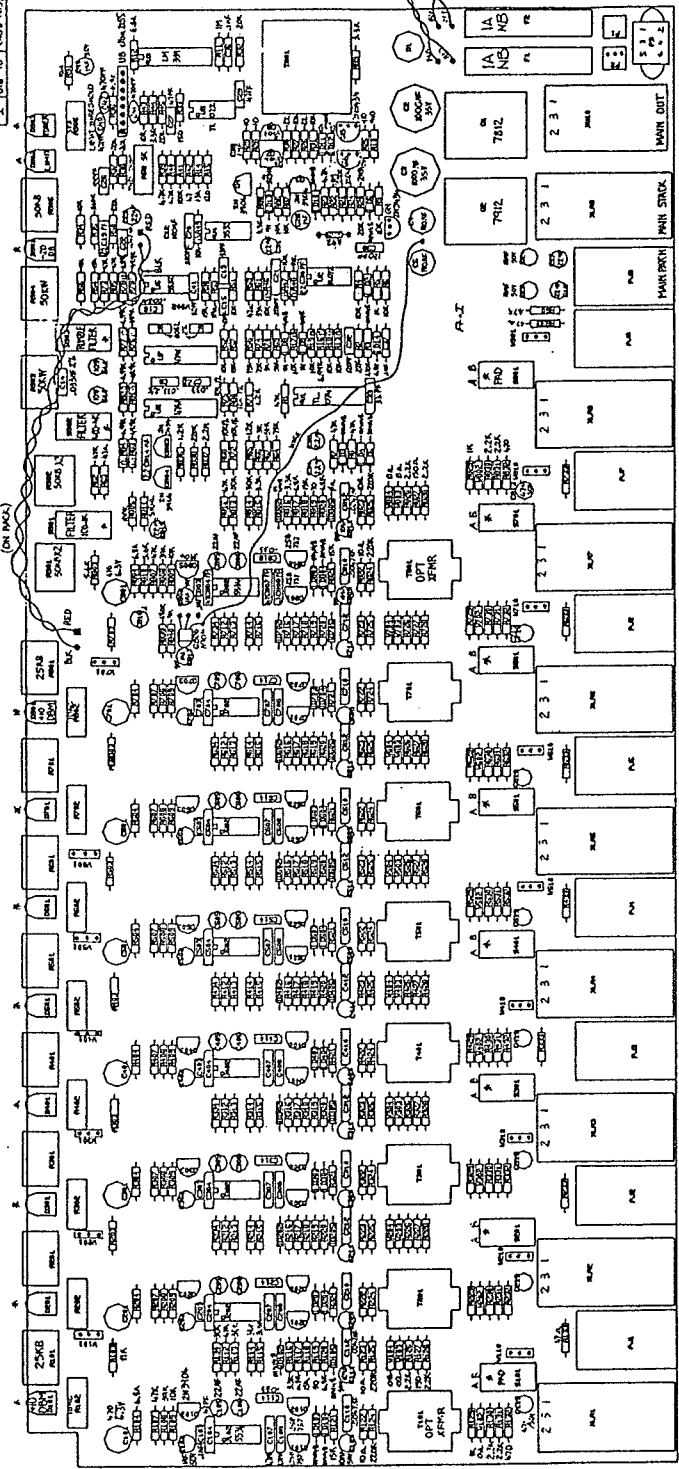
Advantage "System One"
Modular Mixing System

Schematic

B I A M P[®]

S Y S T E M S

REV.	DATE	DESCRIPTION
1	10-15-78	NEW PCB LAYOUT
2	11-15-78	REVISED FROM 150 A TO 12K
3	12-15-78	REVISED FROM 150 A TO 12K
4	01-15-79	REVISED FROM 150 A TO 12K
5	02-15-79	REVISED FROM 150 A TO 12K
6	03-15-79	REVISED FROM 150 A TO 12K
7	04-15-79	REVISED FROM 150 A TO 12K
8	05-15-79	REVISED FROM 150 A TO 12K
9	06-15-79	REVISED FROM 150 A TO 12K
10	07-15-79	REVISED FROM 150 A TO 12K
11	08-15-79	REVISED FROM 150 A TO 12K
12	09-15-79	REVISED FROM 150 A TO 12K
13	10-15-79	REVISED FROM 150 A TO 12K
14	11-15-79	REVISED FROM 150 A TO 12K
15	12-15-79	REVISED FROM 150 A TO 12K
16	01-15-80	REVISED FROM 150 A TO 12K
17	02-15-80	REVISED FROM 150 A TO 12K
18	03-15-80	REVISED FROM 150 A TO 12K
19	04-15-80	REVISED FROM 150 A TO 12K
20	05-15-80	REVISED FROM 150 A TO 12K
21	06-15-80	REVISED FROM 150 A TO 12K
22	07-15-80	REVISED FROM 150 A TO 12K
23	08-15-80	REVISED FROM 150 A TO 12K
24	09-15-80	REVISED FROM 150 A TO 12K
25	10-15-80	REVISED FROM 150 A TO 12K
26	11-15-80	REVISED FROM 150 A TO 12K
27	12-15-80	REVISED FROM 150 A TO 12K
28	01-15-81	REVISED FROM 150 A TO 12K
29	02-15-81	REVISED FROM 150 A TO 12K
30	03-15-81	REVISED FROM 150 A TO 12K
31	04-15-81	REVISED FROM 150 A TO 12K
32	05-15-81	REVISED FROM 150 A TO 12K
33	06-15-81	REVISED FROM 150 A TO 12K
34	07-15-81	REVISED FROM 150 A TO 12K
35	08-15-81	REVISED FROM 150 A TO 12K
36	09-15-81	REVISED FROM 150 A TO 12K
37	10-15-81	REVISED FROM 150 A TO 12K
38	11-15-81	REVISED FROM 150 A TO 12K
39	12-15-81	REVISED FROM 150 A TO 12K
40	01-15-82	REVISED FROM 150 A TO 12K
41	02-15-82	REVISED FROM 150 A TO 12K
42	03-15-82	REVISED FROM 150 A TO 12K
43	04-15-82	REVISED FROM 150 A TO 12K
44	05-15-82	REVISED FROM 150 A TO 12K
45	06-15-82	REVISED FROM 150 A TO 12K
46	07-15-82	REVISED FROM 150 A TO 12K
47	08-15-82	REVISED FROM 150 A TO 12K
48	09-15-82	REVISED FROM 150 A TO 12K
49	10-15-82	REVISED FROM 150 A TO 12K
50	11-15-82	REVISED FROM 150 A TO 12K
51	12-15-82	REVISED FROM 150 A TO 12K
52	01-15-83	REVISED FROM 150 A TO 12K
53	02-15-83	REVISED FROM 150 A TO 12K
54	03-15-83	REVISED FROM 150 A TO 12K
55	04-15-83	REVISED FROM 150 A TO 12K
56	05-15-83	REVISED FROM 150 A TO 12K
57	06-15-83	REVISED FROM 150 A TO 12K
58	07-15-83	REVISED FROM 150 A TO 12K
59	08-15-83	REVISED FROM 150 A TO 12K
60	09-15-83	REVISED FROM 150 A TO 12K
61	10-15-83	REVISED FROM 150 A TO 12K
62	11-15-83	REVISED FROM 150 A TO 12K
63	12-15-83	REVISED FROM 150 A TO 12K
64	01-15-84	REVISED FROM 150 A TO 12K
65	02-15-84	REVISED FROM 150 A TO 12K
66	03-15-84	REVISED FROM 150 A TO 12K
67	04-15-84	REVISED FROM 150 A TO 12K
68	05-15-84	REVISED FROM 150 A TO 12K
69	06-15-84	REVISED FROM 150 A TO 12K
70	07-15-84	REVISED FROM 150 A TO 12K
71	08-15-84	REVISED FROM 150 A TO 12K
72	09-15-84	REVISED FROM 150 A TO 12K
73	10-15-84	REVISED FROM 150 A TO 12K
74	11-15-84	REVISED FROM 150 A TO 12K
75	12-15-84	REVISED FROM 150 A TO 12K
76	01-15-85	REVISED FROM 150 A TO 12K
77	02-15-85	REVISED FROM 150 A TO 12K
78	03-15-85	REVISED FROM 150 A TO 12K
79	04-15-85	REVISED FROM 150 A TO 12K
80	05-15-85	REVISED FROM 150 A TO 12K
81	06-15-85	REVISED FROM 150 A TO 12K
82	07-15-85	REVISED FROM 150 A TO 12K
83	08-15-85	REVISED FROM 150 A TO 12K
84	09-15-85	REVISED FROM 150 A TO 12K
85	10-15-85	REVISED FROM 150 A TO 12K
86	11-15-85	REVISED FROM 150 A TO 12K
87	12-15-85	REVISED FROM 150 A TO 12K
88	01-15-86	REVISED FROM 150 A TO 12K
89	02-15-86	REVISED FROM 150 A TO 12K
90	03-15-86	REVISED FROM 150 A TO 12K
91	04-15-86	REVISED FROM 150 A TO 12K
92	05-15-86	REVISED FROM 150 A TO 12K
93	06-15-86	REVISED FROM 150 A TO 12K
94	07-15-86	REVISED FROM 150 A TO 12K
95	08-15-86	REVISED FROM 150 A TO 12K
96	09-15-86	REVISED FROM 150 A TO 12K
97	10-15-86	REVISED FROM 150 A TO 12K
98	11-15-86	REVISED FROM 150 A TO 12K
99	12-15-86	REVISED FROM 150 A TO 12K
100	01-15-87	REVISED FROM 150 A TO 12K



380-0199-01 REV B

JUMPERABLE OPTIONS

PHANTOM POWER ON EACH CHANNEL	W/NO-W/SD	OFF	ON
PHANTOM SUPPLY <td>W/901</td> <td>EXTERNAL</td> <td>INTERNAL</td>	W/901	EXTERNAL	INTERNAL
MUTE BUSS <td>W/IN-W/10A</td> <td>CONNECTED</td> <td>NOT CONNECTED</td>	W/IN-W/10A	CONNECTED	NOT CONNECTED
EOL	W/902	EQ. OUT	EQ. IN

- NOTES:**
- WHEN USING OPTIONAL INPUT TRANSFORMERS, REMOVE W/102 - W/602, W/103 - W/603, W/104 - W/604.
 - COMPONENTS MARKED "A" ARE INSTALLED ON THE SOLDER SIDE.
 - CHANNEL 1 - CHANNEL 7 ARE IDENTICAL.

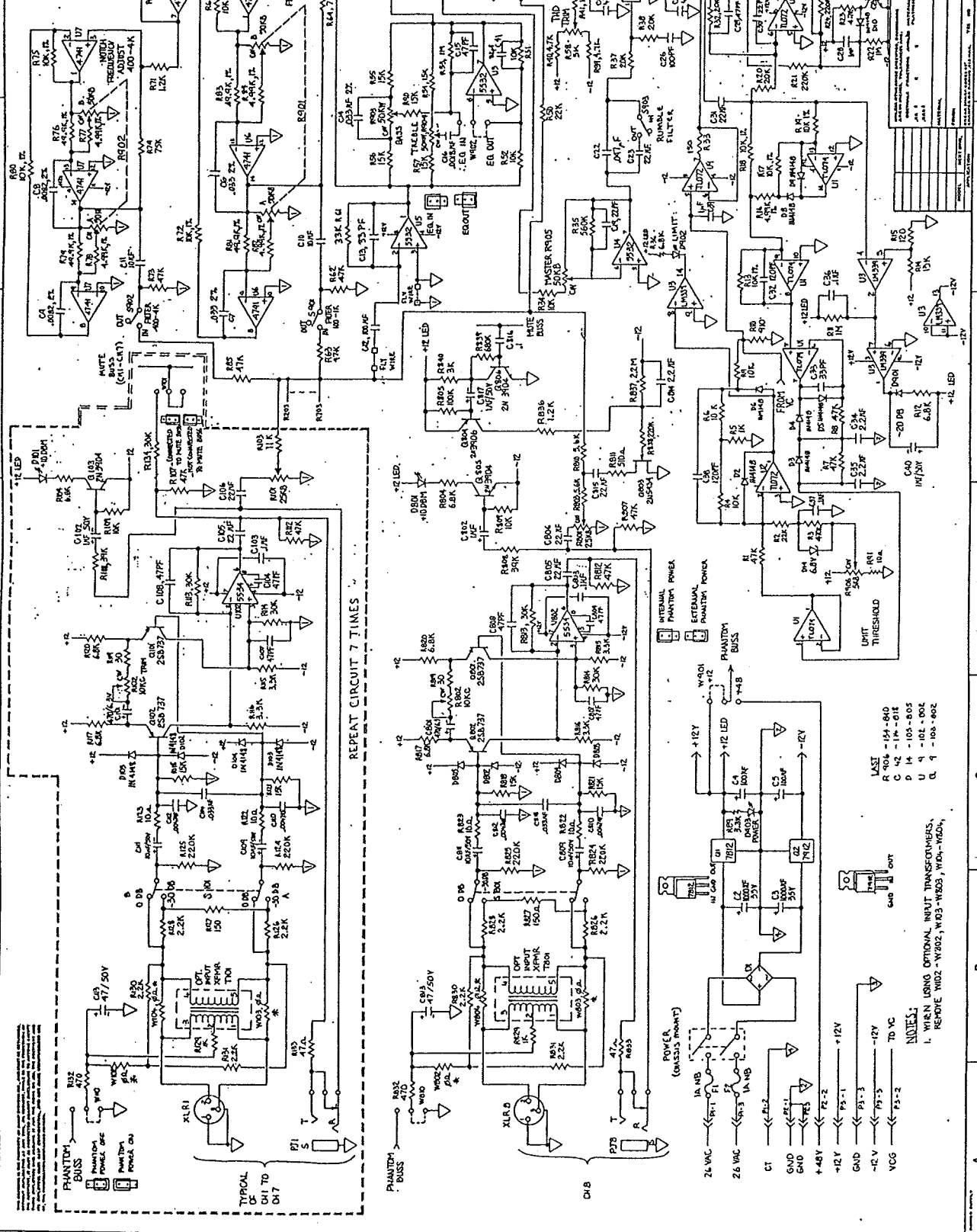
blamp SYSTEMS, INC.
 1000 W. 10TH AVENUE, SUITE 100
 DENVER, CO 80202
 TEL: 303-733-1111
 FAX: 303-733-1112
 WWW: WWW.BLAMP.COM

COMPONENT LAYOUT ADVANTAGE — ONE

DATE: 10/15/84
 DRAWN BY: J. J. JENSEN
 CHECKED BY: J. J. JENSEN
 APPROVED BY: J. J. JENSEN
 PART NO. 380-0199-00
 SHEET 1 OF 1

A B C D E F G H

REV	DATE	DESCRIPTION	BY	CHKD
1	12-18-88	2ND-DRIVER (CIR. REPT. INPUT ATFRS)	W. E. REE	NO
2	01-10-89	1ST-DRIVER (CIR. REPT. INPUT ATFRS)	W. E. REE	NO
3	02-07-89	1ST-DRIVER (CIR. REPT. INPUT ATFRS)	W. E. REE	NO
4	03-03-89	1ST-DRIVER (CIR. REPT. INPUT ATFRS)	W. E. REE	NO
5	03-03-89	1ST-DRIVER (CIR. REPT. INPUT ATFRS)	W. E. REE	NO
6	03-03-89	1ST-DRIVER (CIR. REPT. INPUT ATFRS)	W. E. REE	NO
7	03-03-89	1ST-DRIVER (CIR. REPT. INPUT ATFRS)	W. E. REE	NO
8	03-03-89	1ST-DRIVER (CIR. REPT. INPUT ATFRS)	W. E. REE	NO
9	03-03-89	1ST-DRIVER (CIR. REPT. INPUT ATFRS)	W. E. REE	NO
10	03-03-89	1ST-DRIVER (CIR. REPT. INPUT ATFRS)	W. E. REE	NO



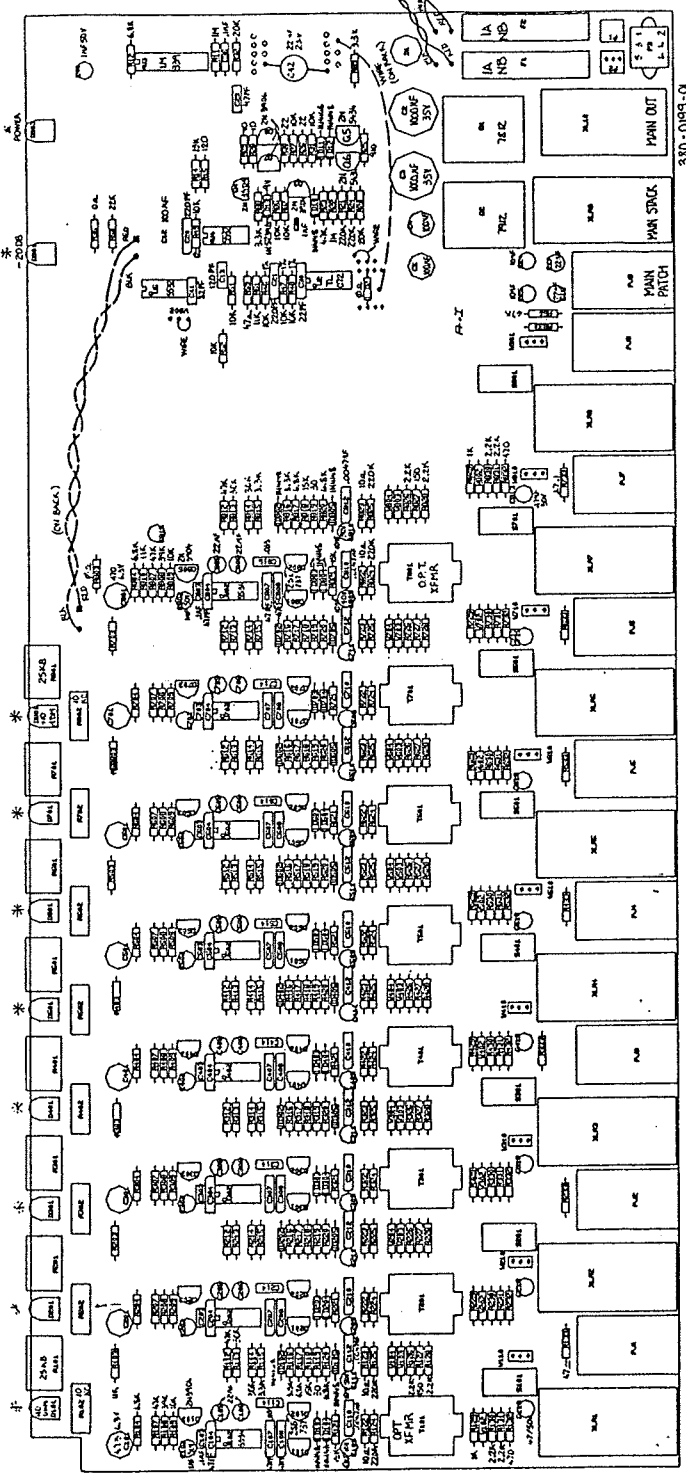
REV	DATE	DESCRIPTION	BY	CHKD
1	12-18-88	2ND-DRIVER (CIR. REPT. INPUT ATFRS)	W. E. REE	NO
2	01-10-89	1ST-DRIVER (CIR. REPT. INPUT ATFRS)	W. E. REE	NO
3	02-07-89	1ST-DRIVER (CIR. REPT. INPUT ATFRS)	W. E. REE	NO
4	03-03-89	1ST-DRIVER (CIR. REPT. INPUT ATFRS)	W. E. REE	NO
5	03-03-89	1ST-DRIVER (CIR. REPT. INPUT ATFRS)	W. E. REE	NO
6	03-03-89	1ST-DRIVER (CIR. REPT. INPUT ATFRS)	W. E. REE	NO
7	03-03-89	1ST-DRIVER (CIR. REPT. INPUT ATFRS)	W. E. REE	NO
8	03-03-89	1ST-DRIVER (CIR. REPT. INPUT ATFRS)	W. E. REE	NO
9	03-03-89	1ST-DRIVER (CIR. REPT. INPUT ATFRS)	W. E. REE	NO
10	03-03-89	1ST-DRIVER (CIR. REPT. INPUT ATFRS)	W. E. REE	NO

LAST
 R 404 - 154-840
 C 42 - 100-805
 D 14 - 100-805
 U 1 - 100-805
 U 2 - 100-802

NOTES:
 1. WHEN USING OPTIONAL INPUT TRANSFORMERS,
 REMOVE W202, W203, W204, W205.

biampX
 ADVANTAGE - ONE
 100-0199-00

05	AND	ND
06	OR	ND
07	NOT	ND
08	AND	ND
09	OR	ND
10	NOT	ND
11	AND	ND
12	OR	ND
13	NOT	ND
14	AND	ND
15	OR	ND
16	NOT	ND
17	AND	ND
18	OR	ND
19	NOT	ND
20	AND	ND
21	OR	ND
22	NOT	ND
23	AND	ND
24	OR	ND
25	NOT	ND
26	AND	ND
27	OR	ND
28	NOT	ND
29	AND	ND
30	OR	ND
31	NOT	ND
32	AND	ND
33	OR	ND
34	NOT	ND
35	AND	ND
36	OR	ND
37	NOT	ND
38	AND	ND
39	OR	ND
40	NOT	ND
41	AND	ND
42	OR	ND
43	NOT	ND
44	AND	ND
45	OR	ND
46	NOT	ND
47	AND	ND
48	OR	ND
49	NOT	ND
50	AND	ND
51	OR	ND
52	NOT	ND
53	AND	ND
54	OR	ND
55	NOT	ND
56	AND	ND
57	OR	ND
58	NOT	ND
59	AND	ND
60	OR	ND
61	NOT	ND
62	AND	ND
63	OR	ND
64	NOT	ND
65	AND	ND
66	OR	ND
67	NOT	ND
68	AND	ND
69	OR	ND
70	NOT	ND
71	AND	ND
72	OR	ND
73	NOT	ND
74	AND	ND
75	OR	ND
76	NOT	ND
77	AND	ND
78	OR	ND
79	NOT	ND
80	AND	ND
81	OR	ND
82	NOT	ND
83	AND	ND
84	OR	ND
85	NOT	ND
86	AND	ND
87	OR	ND
88	NOT	ND
89	AND	ND
90	OR	ND
91	NOT	ND
92	AND	ND
93	OR	ND
94	NOT	ND
95	AND	ND
96	OR	ND
97	NOT	ND
98	AND	ND
99	OR	ND
100	NOT	ND



TYPICAL OF ALL 7 CHANNELS
REPEAT 7 TIMES.

NOTES:

1. WHEN USING OPTIONAL INPUT TRANSFORMERS, REMOVE W102 - W103, W103 - W104, W104 - W105.
2. COMPONENTS MARKED "*" ARE INSTALLED ON THE SOLDER SIDE.
3. CHANNEL 1 - CHANNEL 7 ARE IDENTICAL.

blamp		BLAMP SYSTEMS, INC. 10000 W. 10TH AVE., SUITE 100 DENVER, CO 80231	
COMPONENT LAYOUT		ADVANTAGE - EX	
NO.	REV.	DATE	BY
1	1	10/10/88	JMM
PROJECT		701-0200-00	
SHEET		1 OF 1	

NO	REV	DATE	BY	CHK
1				
2				
3				
4				

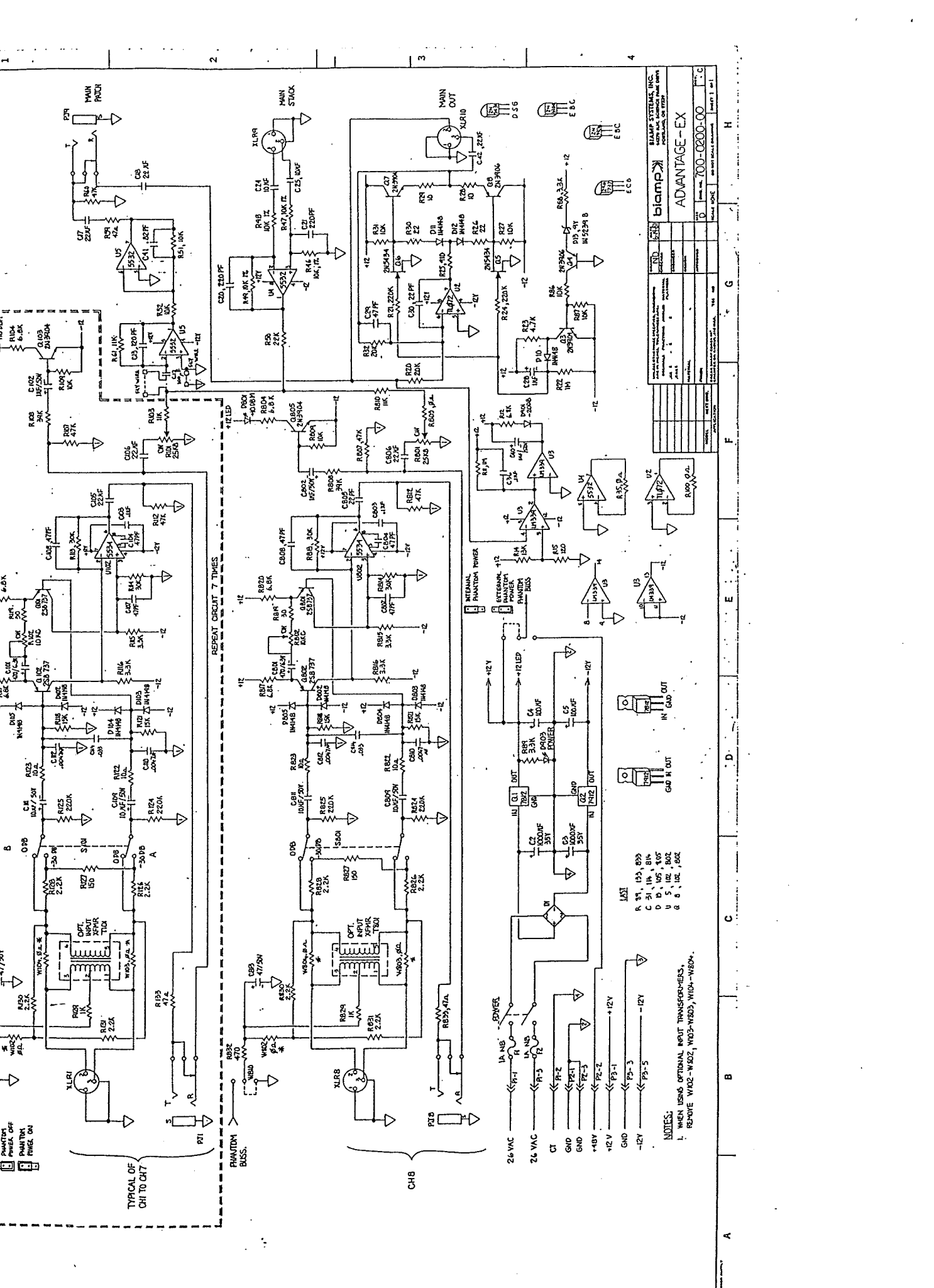
NO	REV	DATE	BY	CHK
1				
2				
3				
4				

NO	REV	DATE	BY	CHK
1				
2				
3				
4				

NO	REV	DATE	BY	CHK
1				
2				
3				
4				

NO	REV	DATE	BY	CHK
1				
2				
3				
4				

NO	REV	DATE	BY	CHK
1				
2				
3				
4				



biamp		ADVANTAGE-EX	
NO	REV	DATE	BY
1			
2			
3			
4			

NO	REV	DATE	BY	CHK
1				
2				
3				
4				

NO	REV	DATE	BY	CHK
1				
2				
3				
4				

NO	REV	DATE	BY	CHK
1				
2				
3				
4				

NO	REV	DATE	BY	CHK
1				
2				
3				
4				

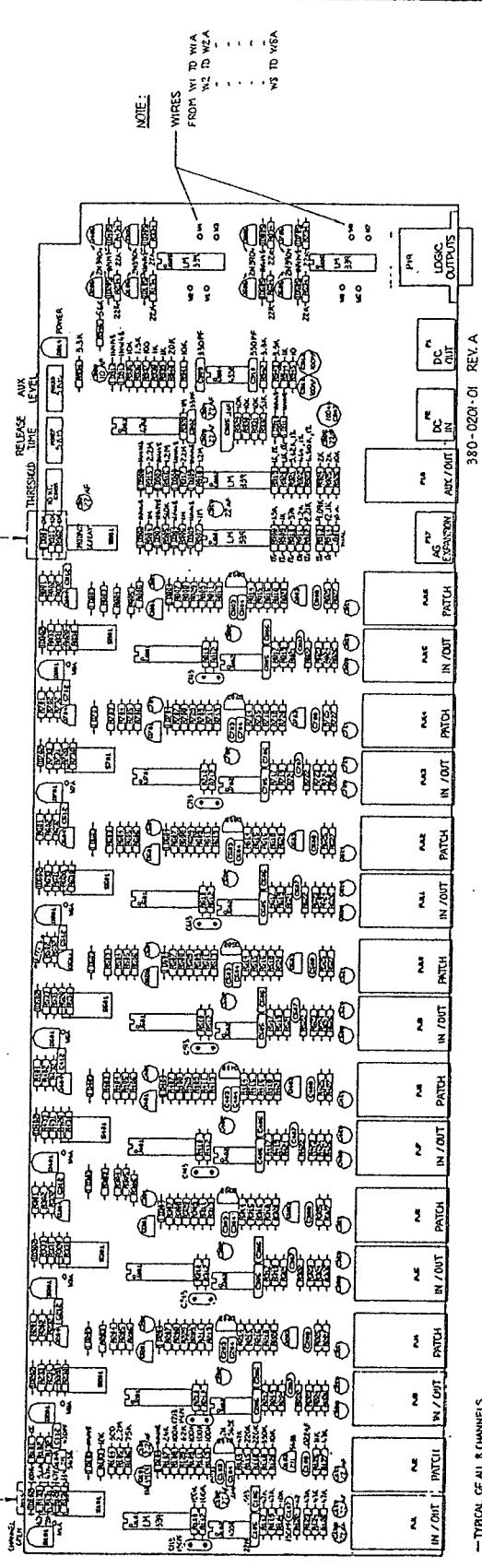
NO	REV	DATE	BY	CHK
1				
2				
3				
4				

NOTES:
 1. WHEN USING OPTIONAL INPUT TRANSFORMERS,
 REMOVE W102-W102, W103-W103, W104-W104.

B 328-41 11/15/93 (REV. 10-11-93) 11/04/93

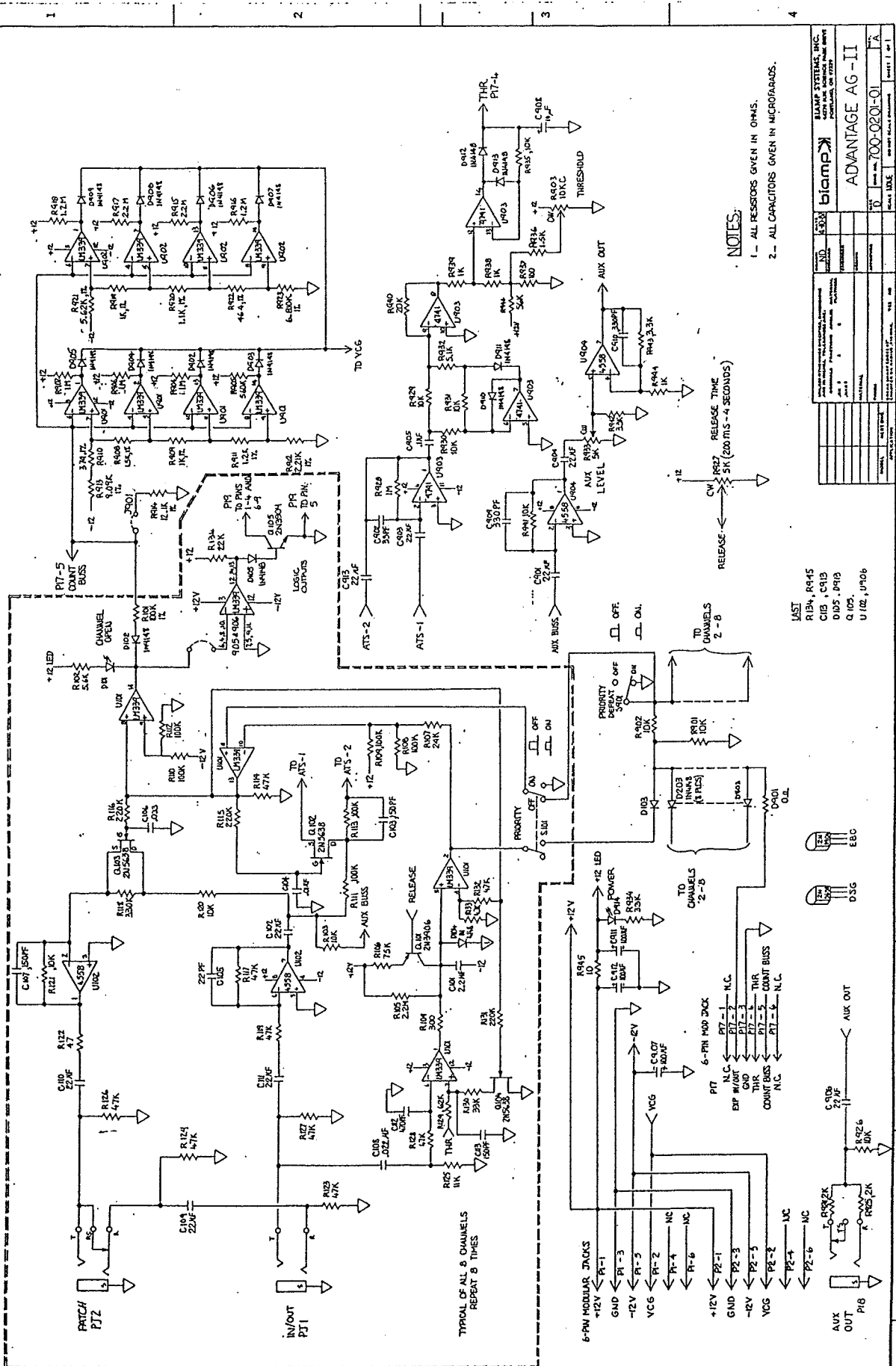
NOTE:
D 401
D 401
R 902
R 902
INSTALLED
ON BACK OF P.C.E.

NOTE:
R100
R101
R102
R103
R104
R105
INSTALLED
ON ALL EIGHT CHANNELS



— TYPICAL OF ALL 8 CHANNELS
REPEAT 8 TIMES

blamp		MAJOUR SYSTEMS, INC.	
1500 WEST 10TH AVENUE, SUITE 1000		DENVER, COLORADO 80202	
COMPONENT LAYOUT			
ADVANTAGE - AG II			
REV. 10/93		DRAWING NO. 701-0201-01	
SHEET 1 OF 1		DRAWN BY: [Blank]	



- NOTES:**
- 1 - ALL RESISTORS GIVEN IN OHMS.
 - 2 - ALL CAPACITORS GIVEN IN MICROFARADS.

LAST
 R15M, R945
 C15, C15B
 D15, D15B
 Q15

TO CHANNELS
 2-8

TO CHANNELS
 2-8

TO CHANNELS
 2-8

TO CHANNELS
 2-8

TO CHANNELS
 2-8

TO CHANNELS
 2-8

TO CHANNELS
 2-8

TO CHANNELS
 2-8

TO CHANNELS
 2-8

TO CHANNELS
 2-8

TO CHANNELS
 2-8

TO CHANNELS
 2-8

TO CHANNELS
 2-8

TO CHANNELS
 2-8

TO CHANNELS
 2-8

TO CHANNELS
 2-8

TO CHANNELS
 2-8

TO CHANNELS
 2-8

TO CHANNELS
 2-8

TO CHANNELS
 2-8

TO CHANNELS
 2-8

TO CHANNELS
 2-8

TO CHANNELS
 2-8

TO CHANNELS
 2-8

TO CHANNELS
 2-8

TO CHANNELS
 2-8

TO CHANNELS
 2-8

TO CHANNELS
 2-8

TO CHANNELS
 2-8

TO CHANNELS
 2-8

TO CHANNELS
 2-8

TO CHANNELS
 2-8

TO CHANNELS
 2-8

TO CHANNELS
 2-8

TO CHANNELS
 2-8

TO CHANNELS
 2-8

TO CHANNELS
 2-8

TO CHANNELS
 2-8

TO CHANNELS
 2-8

TO CHANNELS
 2-8

TO CHANNELS
 2-8

TO CHANNELS
 2-8

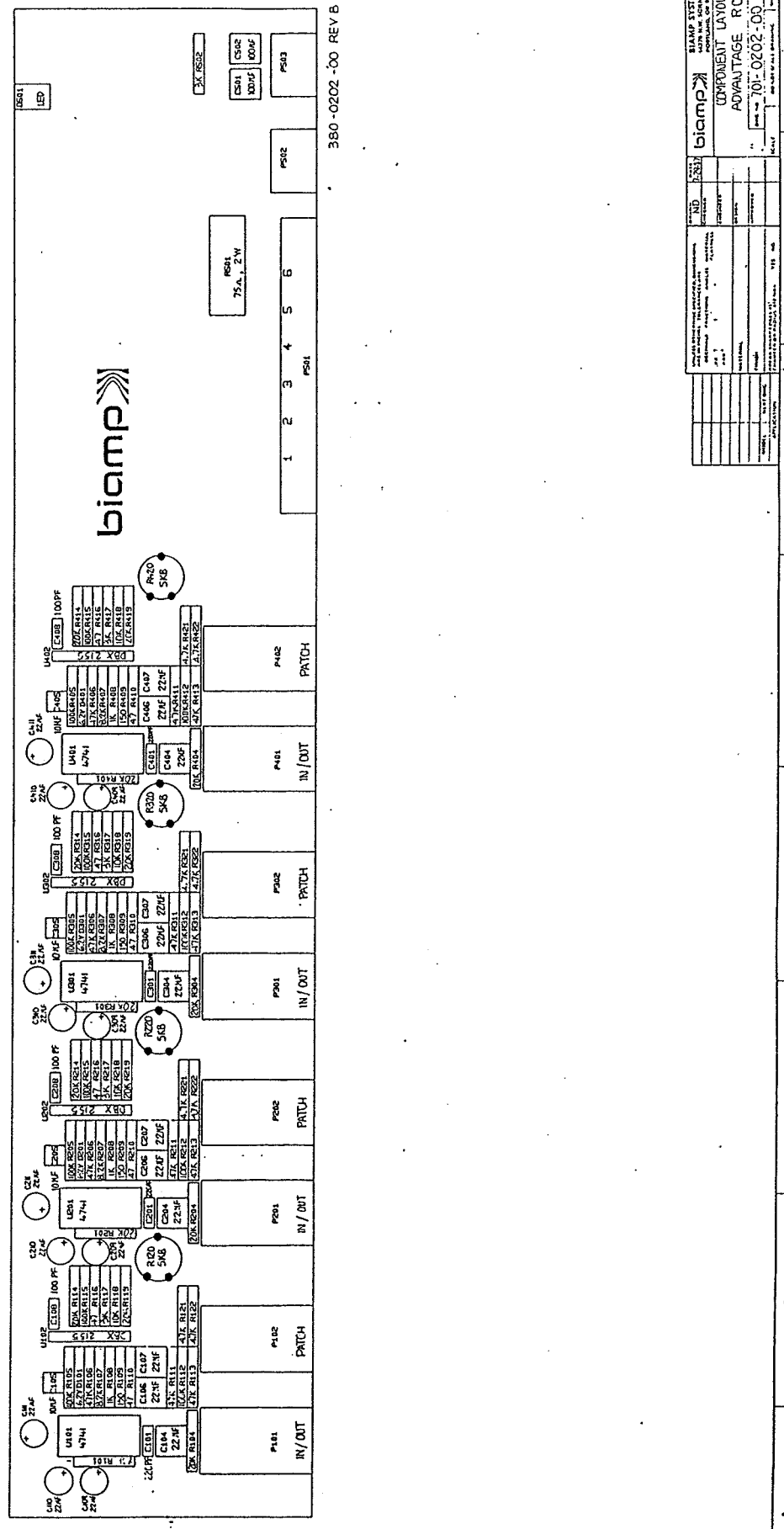
TO CHANNELS
 2-8

TO CHANNELS
 2-8

TO CHANNELS
 2-8

TO CHANNELS
 2-8

REV	1	DATE	10/20/60	DRAWN BY	W. J. HARRIS
CHKD		DATE		DRAWN BY	
biamp					
ADVANTAGE AG - II					
700-020-01		PAGE 1 OF 1			



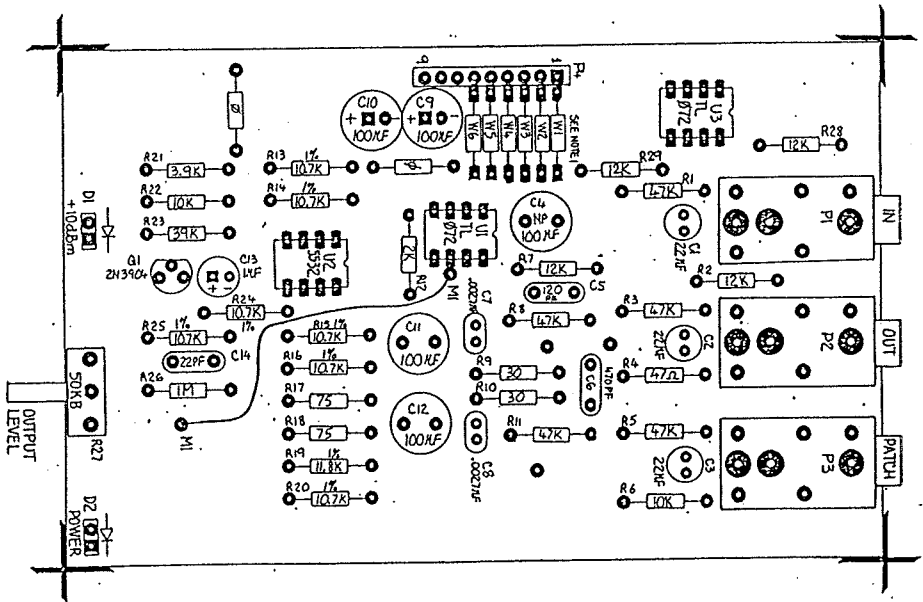
biamp SYSTEMS, INC.
 10000 W. 16th Ave., Suite 300
 Denver, CO 80202
 (303) 755-1100
 www.biamp.com

MODEL: 380-0202-00
 REVISION: 00
 DATE: 11/18/18

PROJECT: ADVANTAGE RC
 DRAWING NO: 701-0202-00

DESIGNED BY: [Blank]
 CHECKED BY: [Blank]
 APPROVED BY: [Blank]

This document is the property of Blamp Systems, Inc. and is to be used only for the purpose for which it was prepared. It is not to be distributed, copied, or reproduced in any form without the prior written consent of Blamp Systems, Inc. All rights reserved. © 1983 Blamp Systems, Inc.

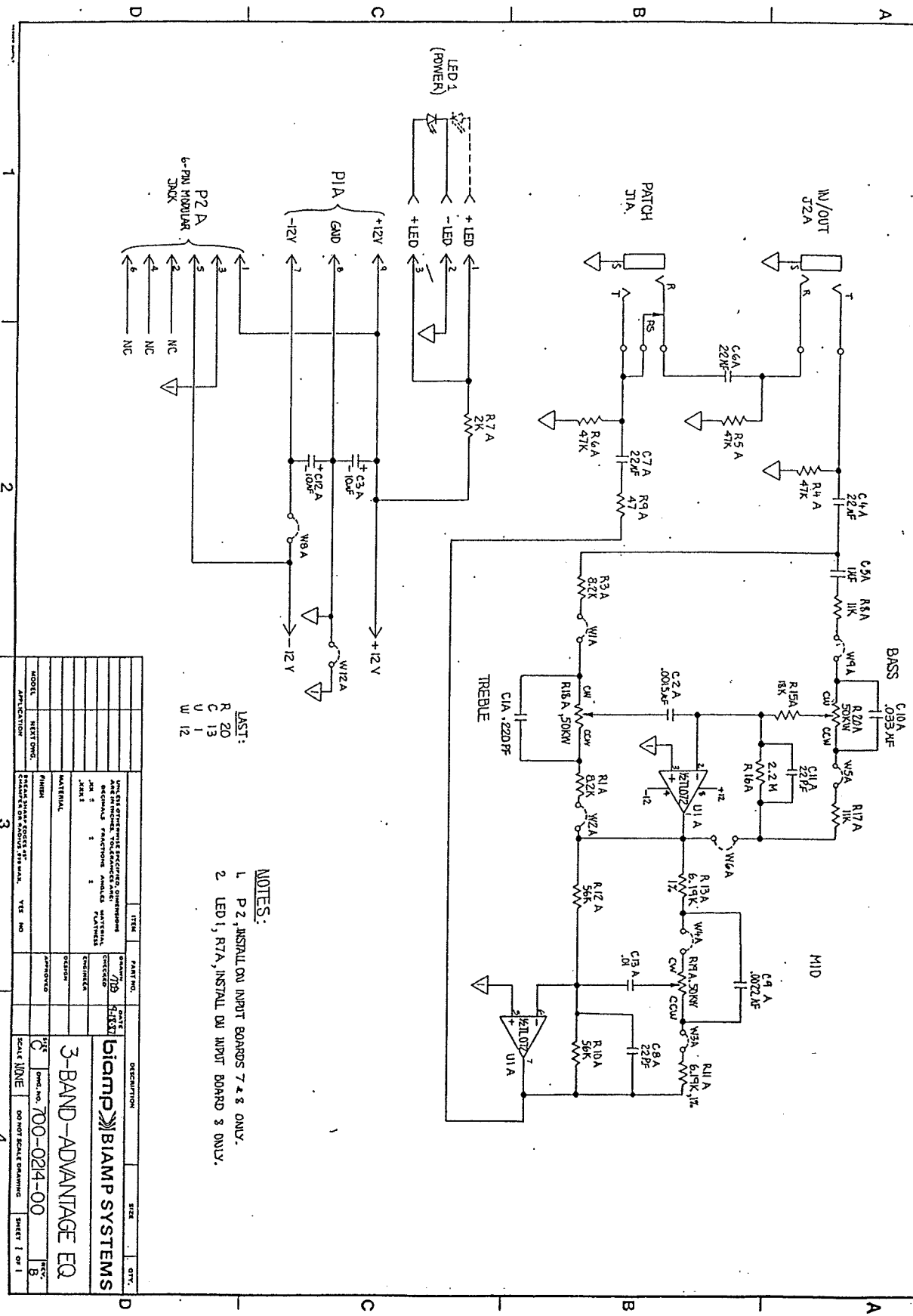


- NOTES:
1. FOR AUX1 BOARD, INSTALL W5, W6 ONLY
 2. FOR AUX2 BOARD, INSTALL W3, W4 ONLY
 3. FOR AUX3 BOARD, INSTALL W1, W2 ONLY

REV.	ECO.	CHANGES	DATE	BY
A	016-88	ASSTD U3, R21, R24, T10 P1K R15E PRODUCE	3-6-88	ND
B	355-1E	CHGD R21 FROM 6.8K TO 3.9K	12-27-88	ND

REV.	ECO.	DESCRIPTION	DATE	BY
A	0338	biamp SYSTEMS COMPONENT LAYOUT ADVANTAGE AM AUX BOARD	701-0212-00	B
B	2/1			B

THIS DRAWING IS THE PROPERTY OF BIAMP SYSTEMS, INC. AND IS INTENDED FOR THE USE OF THE PURCHASER OF THIS EQUIPMENT. IT IS NOT TO BE REPRODUCED, COPIED, EITHER WHOLLY OR IN PART, OR TRANSMITTED IN ANY FORM OR BY ANY MEANS, WITHOUT THE WRITTEN PERMISSION OF BIAMP SYSTEMS, INC.



LAST:
 R 20
 C 13
 U 1
 W 12

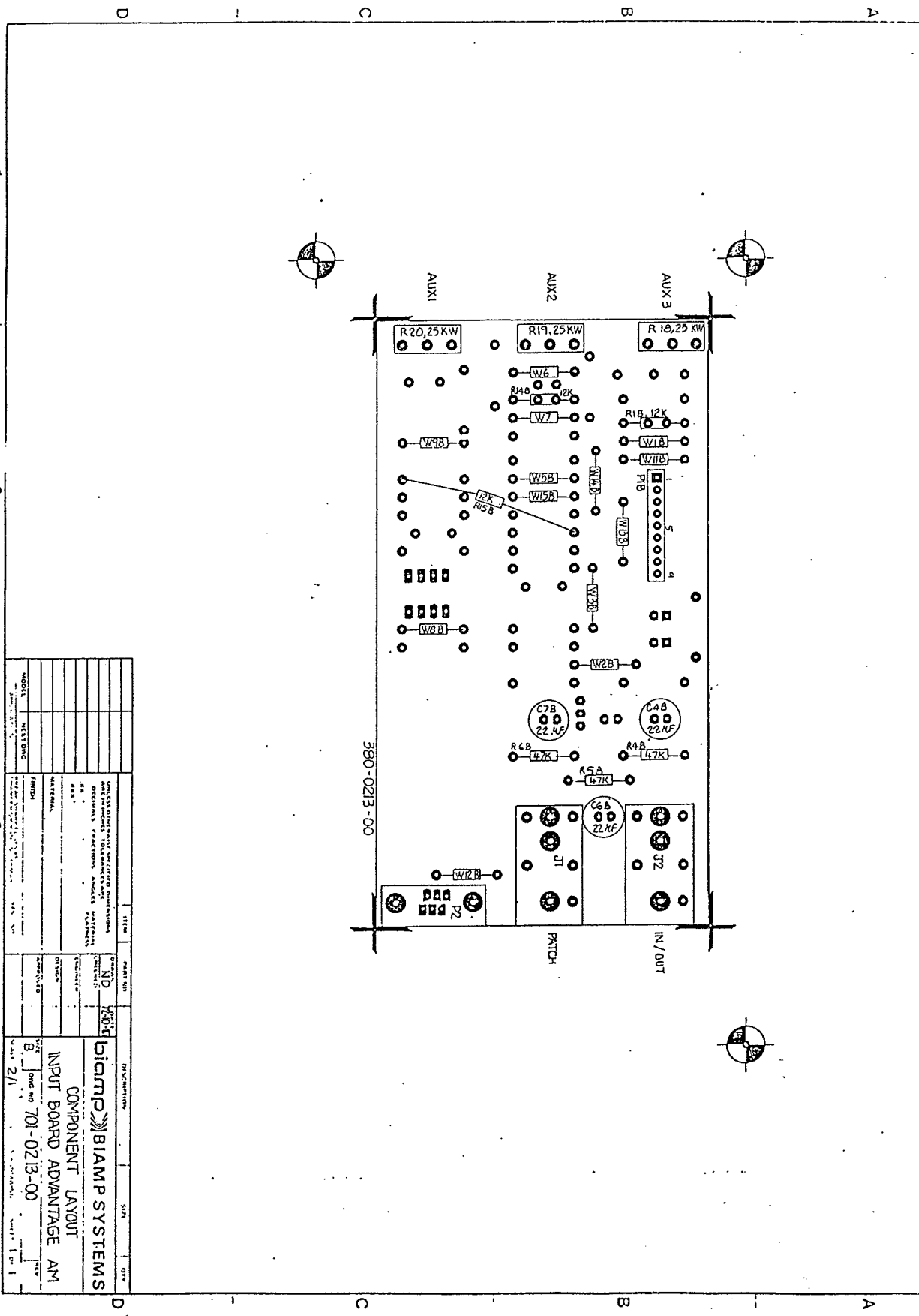
- NOTES:
 1. P 2, INSTALL ON INPUT BOARDS 7 & 8 ONLY.
 2. LED 1, R7A, INSTALL ON INPUT BOARD 3 ONLY.

MODEL	APPLICATION	FINISH	REWORKABLE CROSS STITCH	YES	NO
79B	79B	5133	3-BAND-ADVANTAGE EQ		

DESCRIPTION: BIAMP SYSTEMS
 SIZE: 8
 DIV: 1

SCALE: 100%
 SHEET 1 OF 1

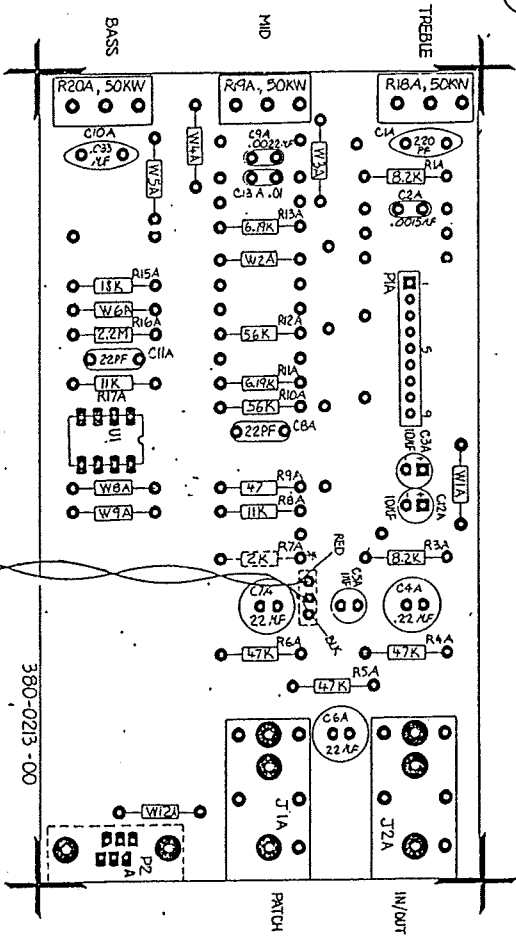
THIS DRAWING IS THE PROPERTY OF BIAMP SYSTEMS, INC. AND IS NOT TO BE REPRODUCED OR TRANSMITTED IN ANY FORM OR BY ANY MEANS, ELECTRONIC OR MECHANICAL, INCLUDING PHOTOCOPYING, RECORDING, OR BY ANY INFORMATION STORAGE AND RETRIEVAL SYSTEM, WITHOUT THE WRITTEN PERMISSION OF BIAMP SYSTEMS, INC.



ITEM	QTY	DESCRIPTION
1	1	BIAMP SYSTEMS COMPONENT BOARD
2	1	BIAMP SYSTEMS COMPONENT BOARD
3	1	BIAMP SYSTEMS COMPONENT BOARD
4	1	BIAMP SYSTEMS COMPONENT BOARD
5	1	BIAMP SYSTEMS COMPONENT BOARD
6	1	BIAMP SYSTEMS COMPONENT BOARD
7	1	BIAMP SYSTEMS COMPONENT BOARD
8	1	BIAMP SYSTEMS COMPONENT BOARD
9	1	BIAMP SYSTEMS COMPONENT BOARD
10	1	BIAMP SYSTEMS COMPONENT BOARD
11	1	BIAMP SYSTEMS COMPONENT BOARD
12	1	BIAMP SYSTEMS COMPONENT BOARD
13	1	BIAMP SYSTEMS COMPONENT BOARD
14	1	BIAMP SYSTEMS COMPONENT BOARD
15	1	BIAMP SYSTEMS COMPONENT BOARD
16	1	BIAMP SYSTEMS COMPONENT BOARD
17	1	BIAMP SYSTEMS COMPONENT BOARD
18	1	BIAMP SYSTEMS COMPONENT BOARD
19	1	BIAMP SYSTEMS COMPONENT BOARD
20	1	BIAMP SYSTEMS COMPONENT BOARD
21	1	BIAMP SYSTEMS COMPONENT BOARD
22	1	BIAMP SYSTEMS COMPONENT BOARD
23	1	BIAMP SYSTEMS COMPONENT BOARD
24	1	BIAMP SYSTEMS COMPONENT BOARD
25	1	BIAMP SYSTEMS COMPONENT BOARD
26	1	BIAMP SYSTEMS COMPONENT BOARD
27	1	BIAMP SYSTEMS COMPONENT BOARD
28	1	BIAMP SYSTEMS COMPONENT BOARD
29	1	BIAMP SYSTEMS COMPONENT BOARD
30	1	BIAMP SYSTEMS COMPONENT BOARD

Biamp SYSTEMS
 COMPONENT LAYOUT
 INPUT BOARD ADVANTAGE AM
 380-0213-00
 DATE 2/1

THIS DRAWING IS THE PROPERTY OF BIAAMP SYSTEMS. IT IS TO BE USED ONLY FOR THE PROJECT AND EQUIPMENT SPECIFICALLY IDENTIFIED HEREON. IT IS NOT TO BE REPRODUCED OR TRANSMITTED IN ANY FORM OR BY ANY MEANS, ELECTRONIC OR MECHANICAL, INCLUDING PHOTOCOPYING, RECORDING, OR BY ANY INFORMATION STORAGE AND RETRIEVAL SYSTEM, WITHOUT THE WRITTEN PERMISSION OF BIAAMP SYSTEMS.



1.516-0002-00, 5"
ON INPUT BOARD 8 ONLY

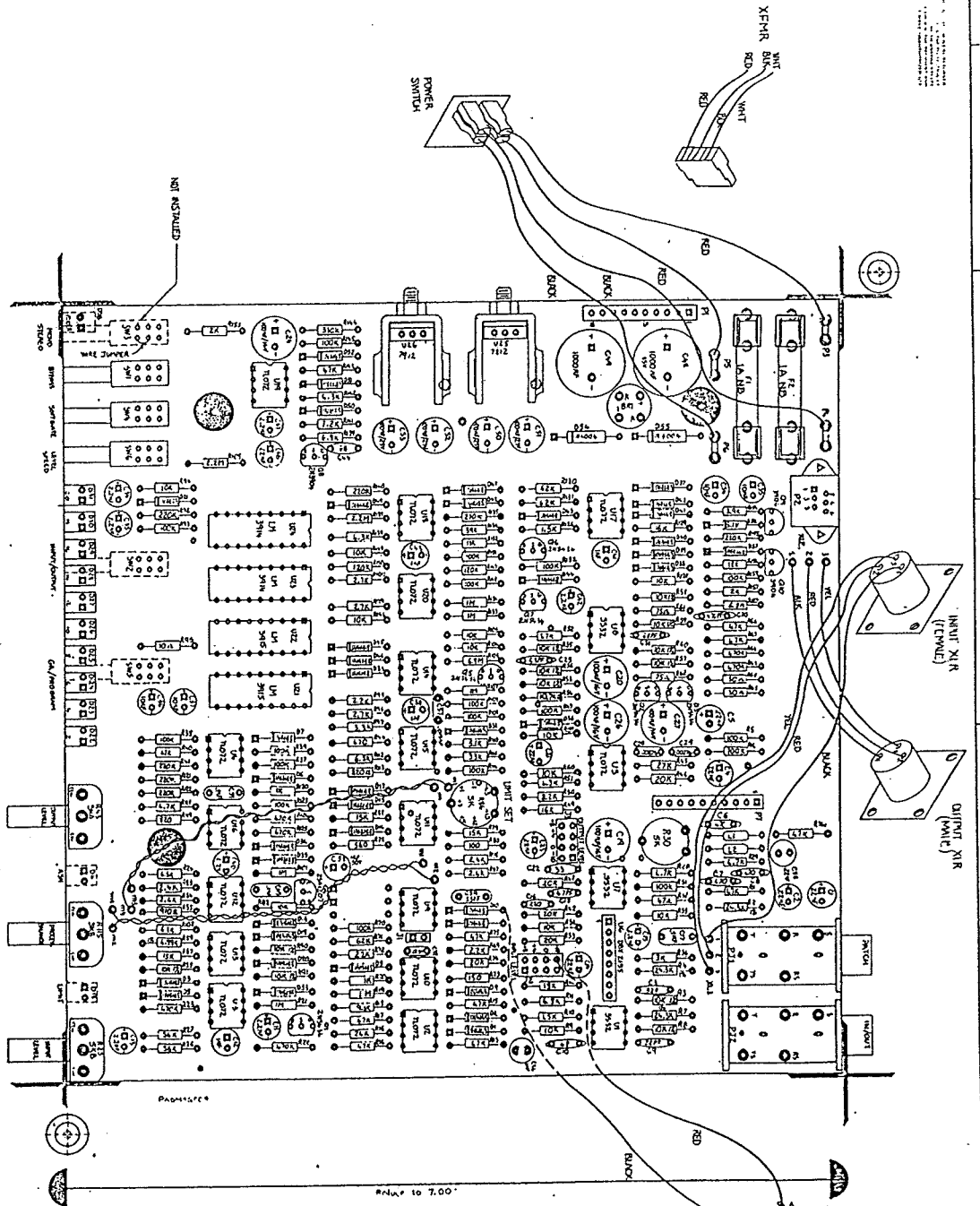
FRONT VIEW OF RIGHT ANGLE LED FOR POWER

NOTES:

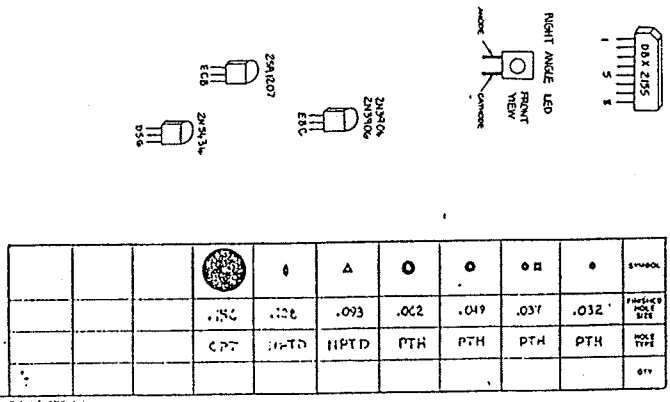
1. INSTALL P2 ON INPUT BOARDS 7 AND 8 ONLY.
2. INSTALL R7A ON INPUT BOARD 8 ONLY.

DATE	1978	REV	1
BY	ND	DATE	1978
COMPONENT LAYOUT 3 BAND - ADVANTAGE EQ 701-0214-00			
REV	1	DATE	1978
BY	ND	DATE	1978
COMPONENT LAYOUT 3 BAND - ADVANTAGE EQ 701-0214-00			

REV	1.00	ISSUED	ND
BY	ND	DATE	1978
COMPONENT LAYOUT 3 BAND - ADVANTAGE EQ 701-0214-00			



REV.	DATE	BY	CHKD.	DESCRIPTION
A	10-18-70	J. J. [unclear]	[unclear]	REVISED TO ADD 25A1207
B	10-20-70	J. J. [unclear]	[unclear]	REVISED TO ADD 25A1207
C	10-22-70	J. J. [unclear]	[unclear]	REVISED TO ADD 25A1207
D	10-23-70	J. J. [unclear]	[unclear]	REVISED TO ADD 25A1207

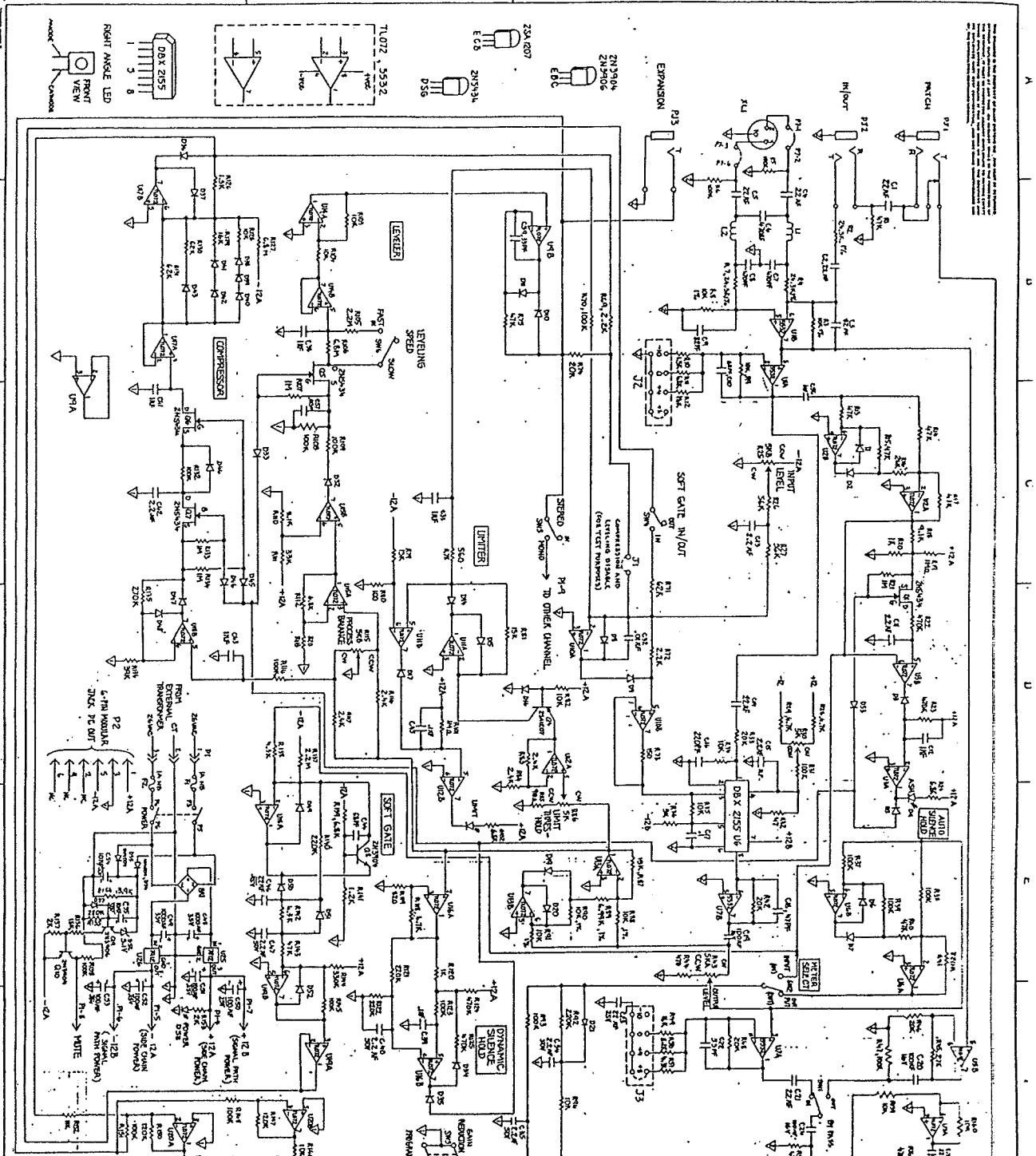


REV.	DATE	BY	CHKD.	DESCRIPTION
1	10-23-70	J. J. [unclear]	[unclear]	REVISED TO ADD 25A1207
2	10-23-70	J. J. [unclear]	[unclear]	REVISED TO ADD 25A1207
3	10-23-70	J. J. [unclear]	[unclear]	REVISED TO ADD 25A1207
4	10-23-70	J. J. [unclear]	[unclear]	REVISED TO ADD 25A1207

BIAMP SYSTEMS, INC.
 2000 W. 10th Street
 Minneapolis, MN 55410
 (612) 833-2222

COMPONENT LAYOUT
ADVANTAGE-G1M
 Rev. 4
 Part No. 70-0221-00
 © 1970 Biamp Systems, Inc.

A B C D E F G H



Part	Value	Part	Value
U1	74LS163	U10	74LS04
U2	74LS163	U11	74LS04
U3	74LS163	U12	74LS04
U4	74LS163	U13	74LS04
U5	74LS163	U14	74LS04
U6	74LS163	U15	74LS04
U7	74LS163	U16	74LS04
U8	74LS163	U17	74LS04
U9	74LS163	U18	74LS04
U10	74LS163	U19	74LS04
U11	74LS163	U20	74LS04

EXPANSION

U21: 74LS163
U22: 74LS163
U23: 74LS163
U24: 74LS163

LEVELER

U25: 74LS163
U26: 74LS163
U27: 74LS163
U28: 74LS163

COMPRESSOR

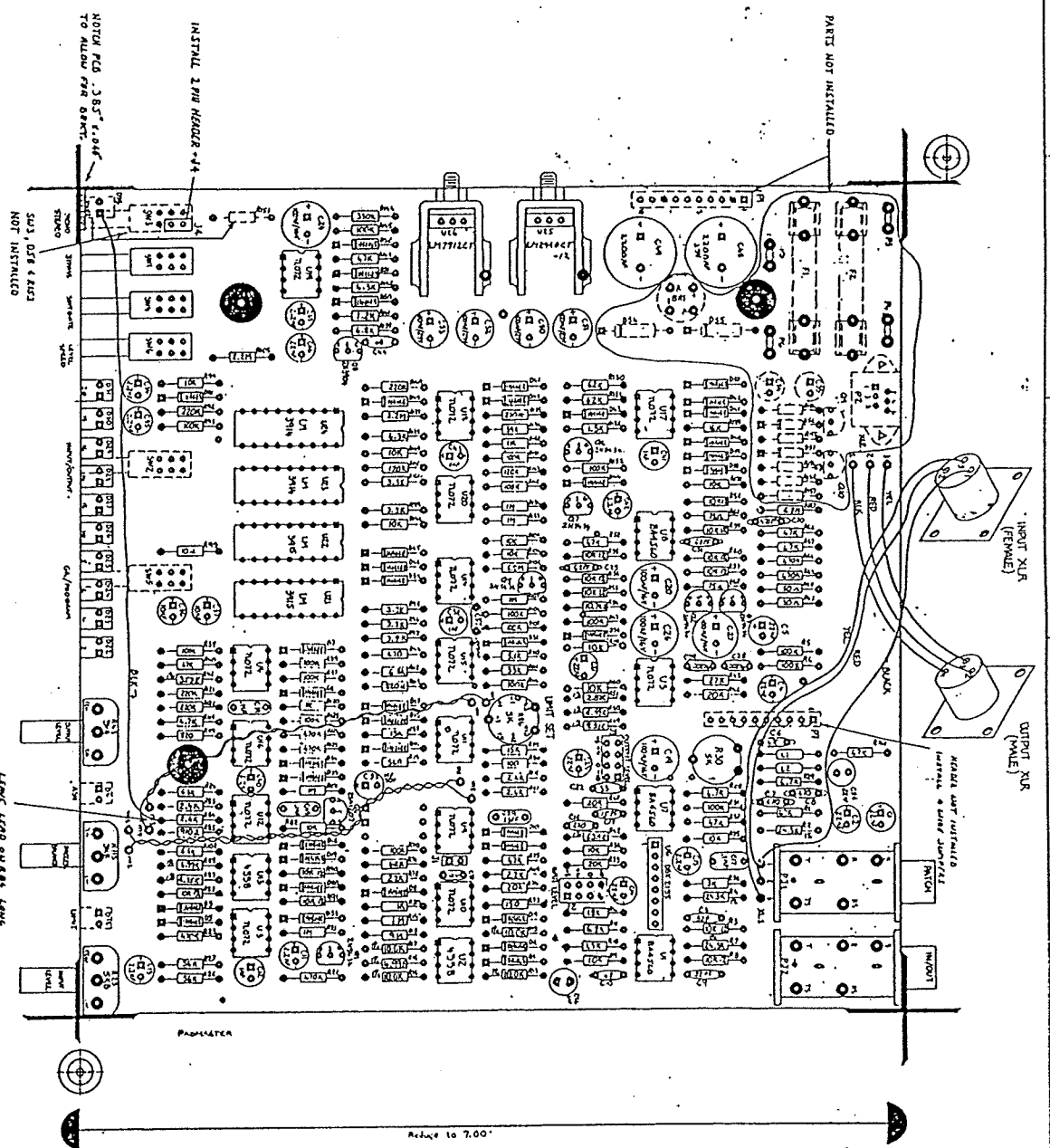
U29: 74LS163
U30: 74LS163
U31: 74LS163
U32: 74LS163

RIGHT WAKE LED

U33: 74LS163
U34: 74LS163
U35: 74LS163
U36: 74LS163

BLAUPUNKT SOLENOIDIC ADVANTAGE GM

Blaupunkt SOLENOIDIC ADVANTAGE GM
Blaupunkt SOLENOIDIC ADVANTAGE GM
Blaupunkt SOLENOIDIC ADVANTAGE GM

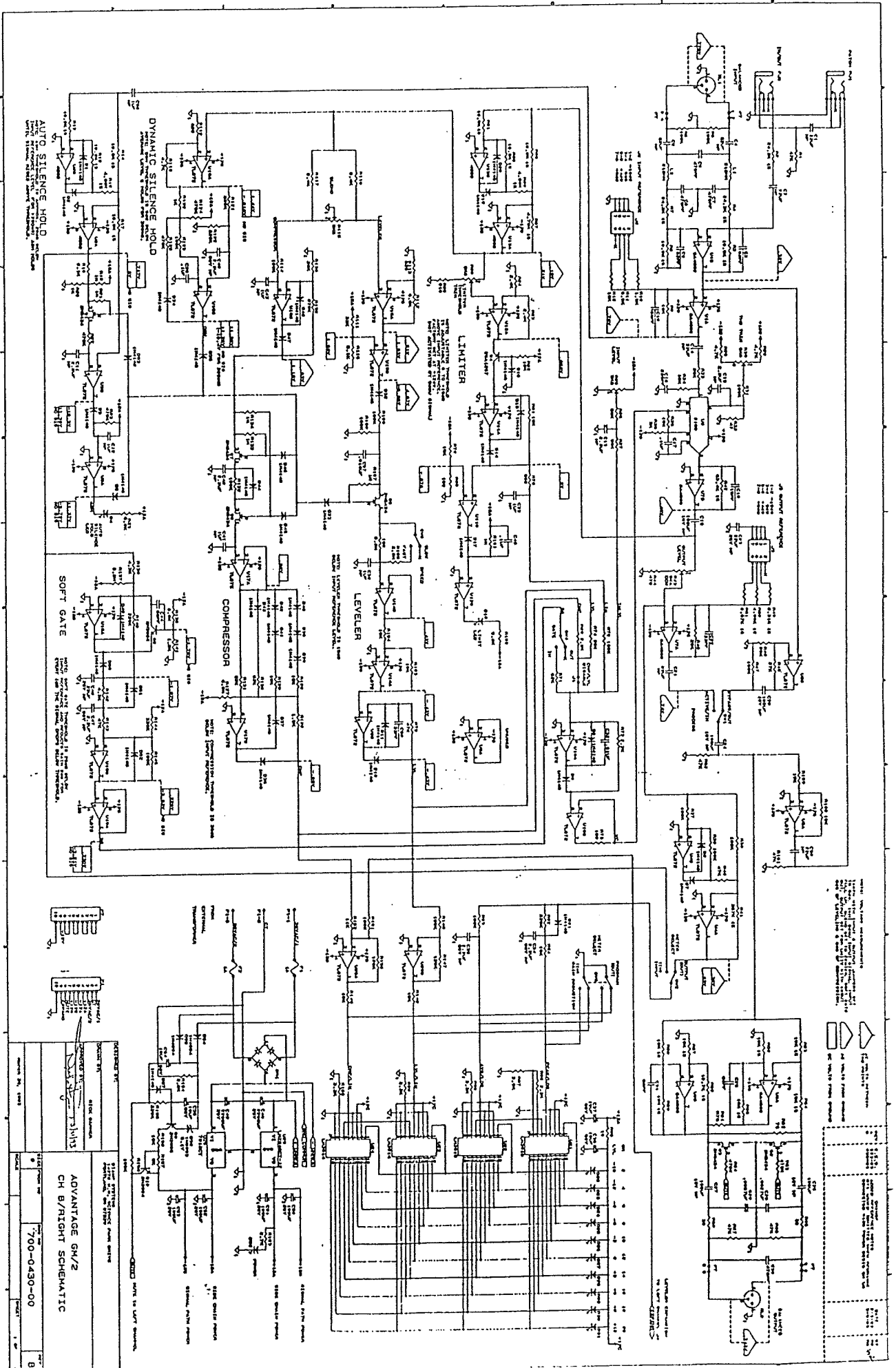


PCB CH1-LEFT 701-0429-00

DATE	REV	BY	CHKD	APP'D
01/11/71	0	W.H.	W.H.	W.H.
BIOMEDICAL ELECTRONICS, INC. COMPONENT LAYOUT ADVANTAGE GM/2 ALEFT 701-0429-00 271				

NO.	DESCRIPTION	QTY	UNIT
1	0.032 PTH	1	RES
2	0.031 PTH	1	RES
3	0.041 PTH	1	RES
4	0.062 PTH	1	RES
5	0.092 NPTD	1	RES
6	0.124 NPTD	1	RES
7	0.156 OPT	1	RES

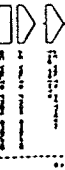
DATE	REV	BY	CHKD	APP'D
01/11/71	0	W.H.	W.H.	W.H.



ADAPTIVE SILENCE HOLD
 DYNAMIC SILENCE HOLD
 SOFT GATE
 COMPRESSOR
 LEVELER
 LIMITER

ADVANTAGE GM/2
 CH B/RIGHT SCHEMATIC
 700-0430-00

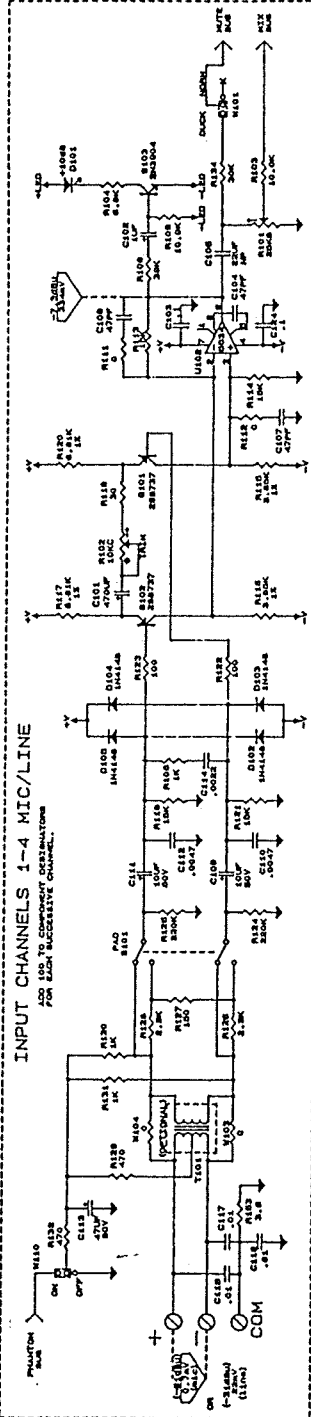
NOTES:
 1. SEE DRAWING 700-0430-01 FOR LOCATION OF THIS SCHEMATIC IN THE SET.
 2. THIS SCHEMATIC IS A PART OF THE ADVANTAGE GM/2 CH B/RIGHT SET.
 3. THE PARTS LIST FOR THIS SCHEMATIC IS LISTED IN DRAWING 700-0430-00.



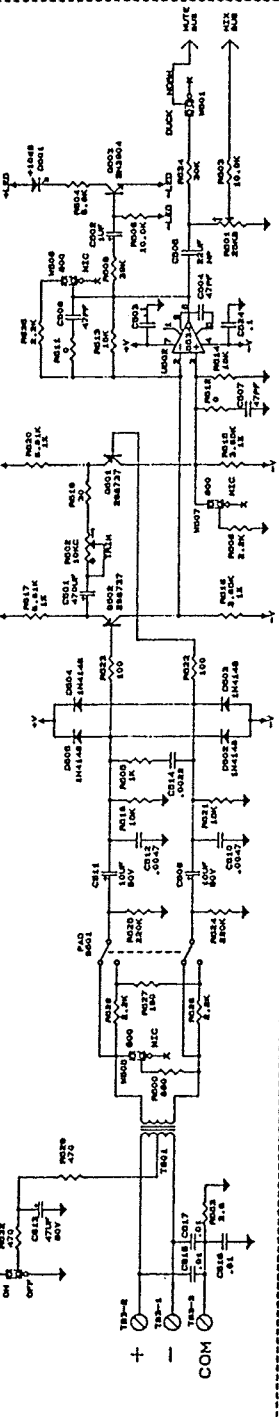
ADAPTIVE SILENCE HOLD
 DYNAMIC SILENCE HOLD
 ADAPTIVE SILENCE HOLD

INPUT CHANNELS 1-4 MIC/LINE

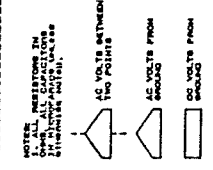
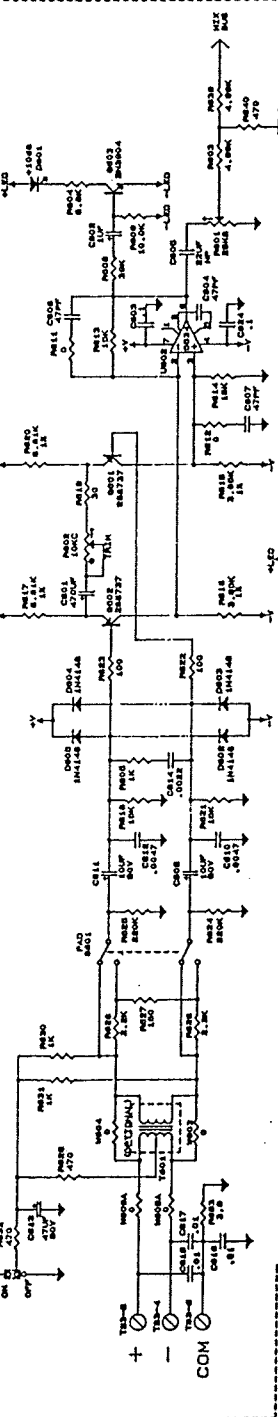
FOR 500 OHM INDUCTIVE CHANNEL



INPUT CHANNEL 5: 500 OHM OR MIC/LINE



INPUT CHANNEL 6: MIC/LINE

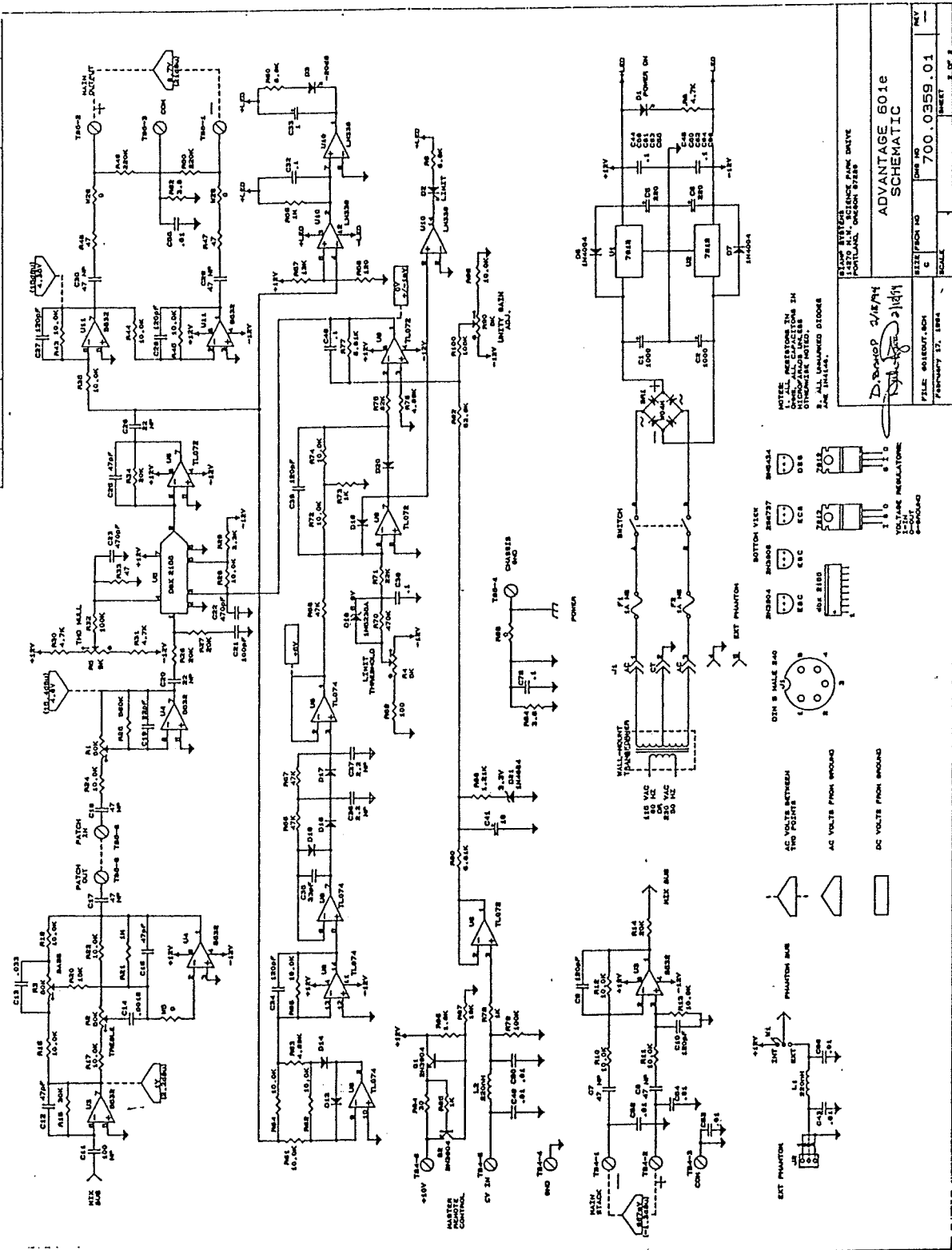


EXTERNAL MUTE

ADVANTAGE 6016

SCHEMATIC

FILE NO.	700-0359-01
REV.	1
DATE	FEBRUARY 11, 1964
SCALE	C
DESIGNED BY	D. S. ...
CHECKED BY	...
APPROVED BY	...



NOTE: RESISTORS IN
CIRCLES ARE 1% TOLERANCE
UNLESS OTHERWISE NOTED.
2. ALL UNANNOUNCED
PARTS ARE IN STOCK.

15150 ADVANTAGE 601E PAPER BOARD
PORTLAND, OREGON 97228

ADVANTAGE 601E
SCHEMATIC

DATE: 2/15/74
BY: [Signature]

FILE: 601EOUT.SCH
FEBRUARY 15, 1974

SIZE: 8.5 X 11
SCALE: 1:1

DWG NO: 700.0359.01
SHEET: 1 OF 1

15150 ADVANTAGE 601E PAPER BOARD
PORTLAND, OREGON 97228

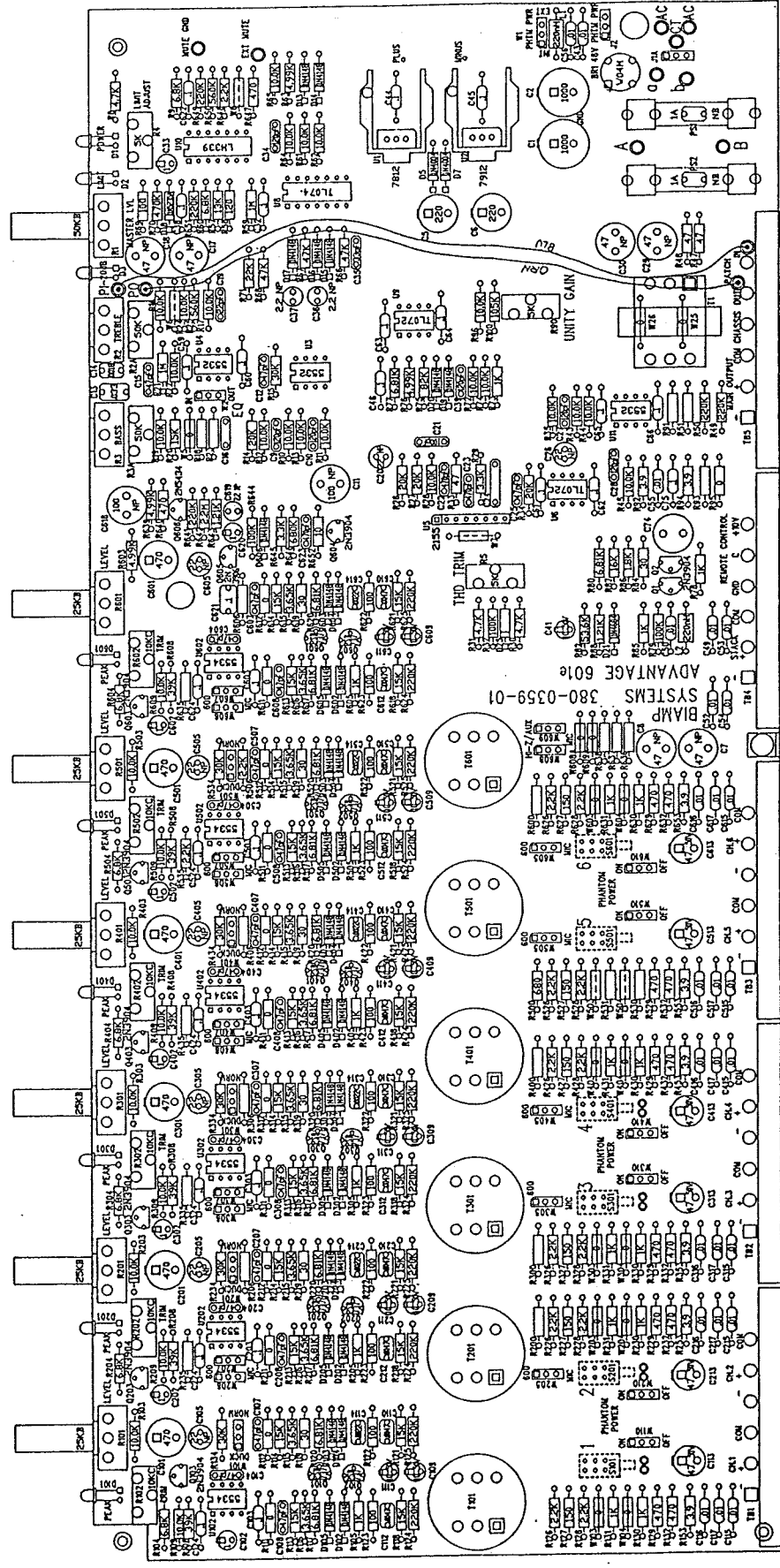
DATE: 2/15/74
BY: [Signature]

FILE: 601EOUT.SCH
FEBRUARY 15, 1974

SIZE: 8.5 X 11
SCALE: 1:1

DWG NO: 700.0359.01
SHEET: 1 OF 1

REV	DATE	DESCRIPTION	BY	APP'D
1		INITIAL RELEASE		



380-0359-01

BIAMP SYSTEMS
14270 N.W. Science Park Drive
Portland, Oregon 97229
(503) 644-7287

BIAMP SYSTEMS	
ADVANTAGE 601e COMPONENT LAYOUT	
DATE	3/15/74
APPROVED	D. S. S. / J. H. S.
DESIGNED	D. S. S.
TESTED	J. H. S.
DATE	3/16/74
BY	D
SCALE	1:1
PART	701-0359-01

REVISIONS	DATE	DESCRIPTION
1		INITIAL RELEASE

REVISIONS	DATE	DESCRIPTION
1		INITIAL RELEASE

REVISIONS	DATE	DESCRIPTION
1		INITIAL RELEASE

REVISIONS	DATE	DESCRIPTION
1		INITIAL RELEASE

REVISIONS	DATE	DESCRIPTION
1		INITIAL RELEASE

REVISIONS	DATE	DESCRIPTION
1		INITIAL RELEASE

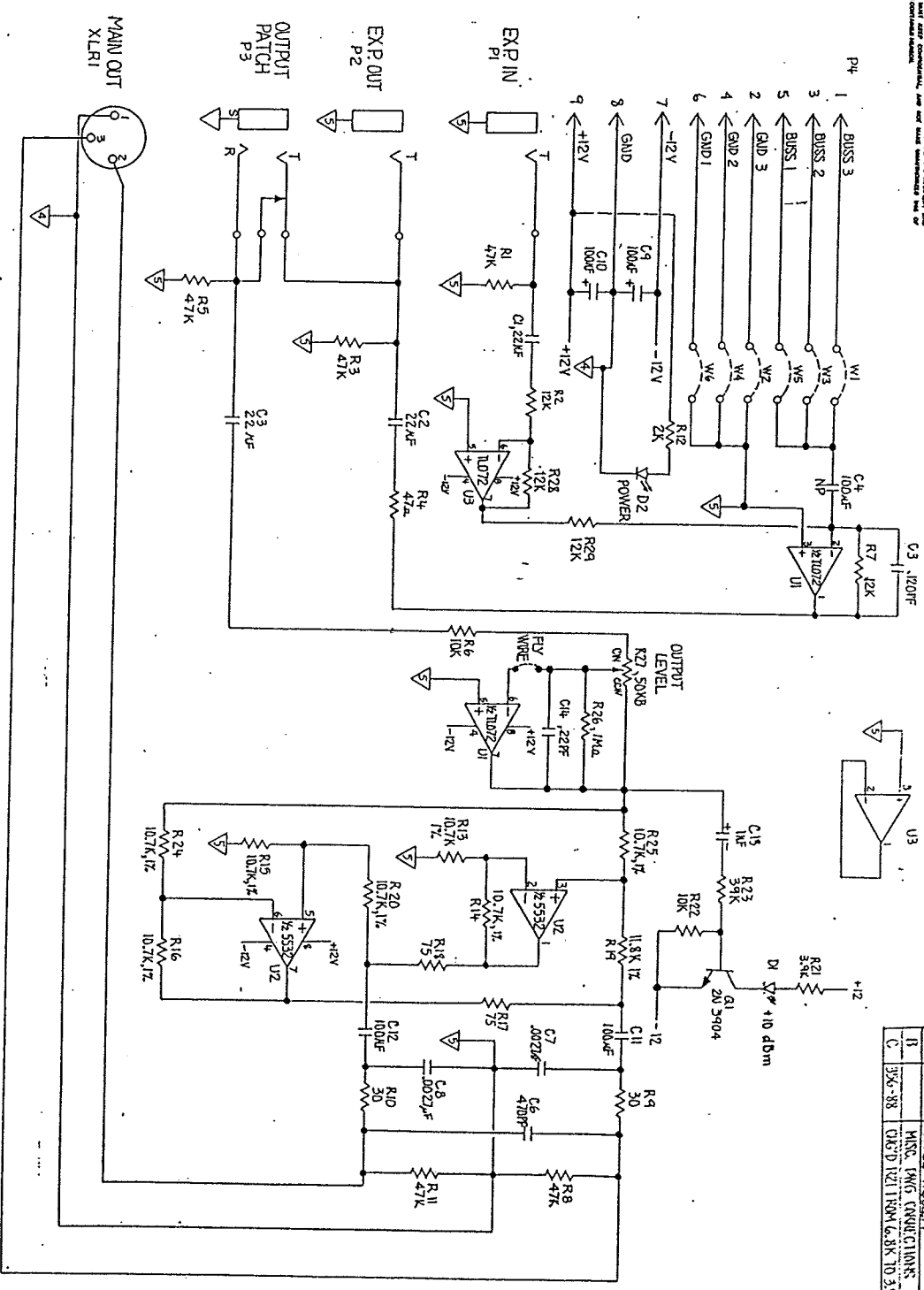
REVISIONS	DATE	DESCRIPTION
1		INITIAL RELEASE

REVISIONS	DATE	DESCRIPTION
1		INITIAL RELEASE

REVISIONS	DATE	DESCRIPTION
1		INITIAL RELEASE

REVISIONS	DATE	DESCRIPTION
1		INITIAL RELEASE

Unauthorized reproduction of any part, or assembly, thereof, is prohibited. This drawing is the property of Biamp Systems, Inc. and is to be used only for the specific application and for the specific equipment identified on the drawing. No other use, reproduction, or distribution is permitted without the written consent of Biamp Systems, Inc.



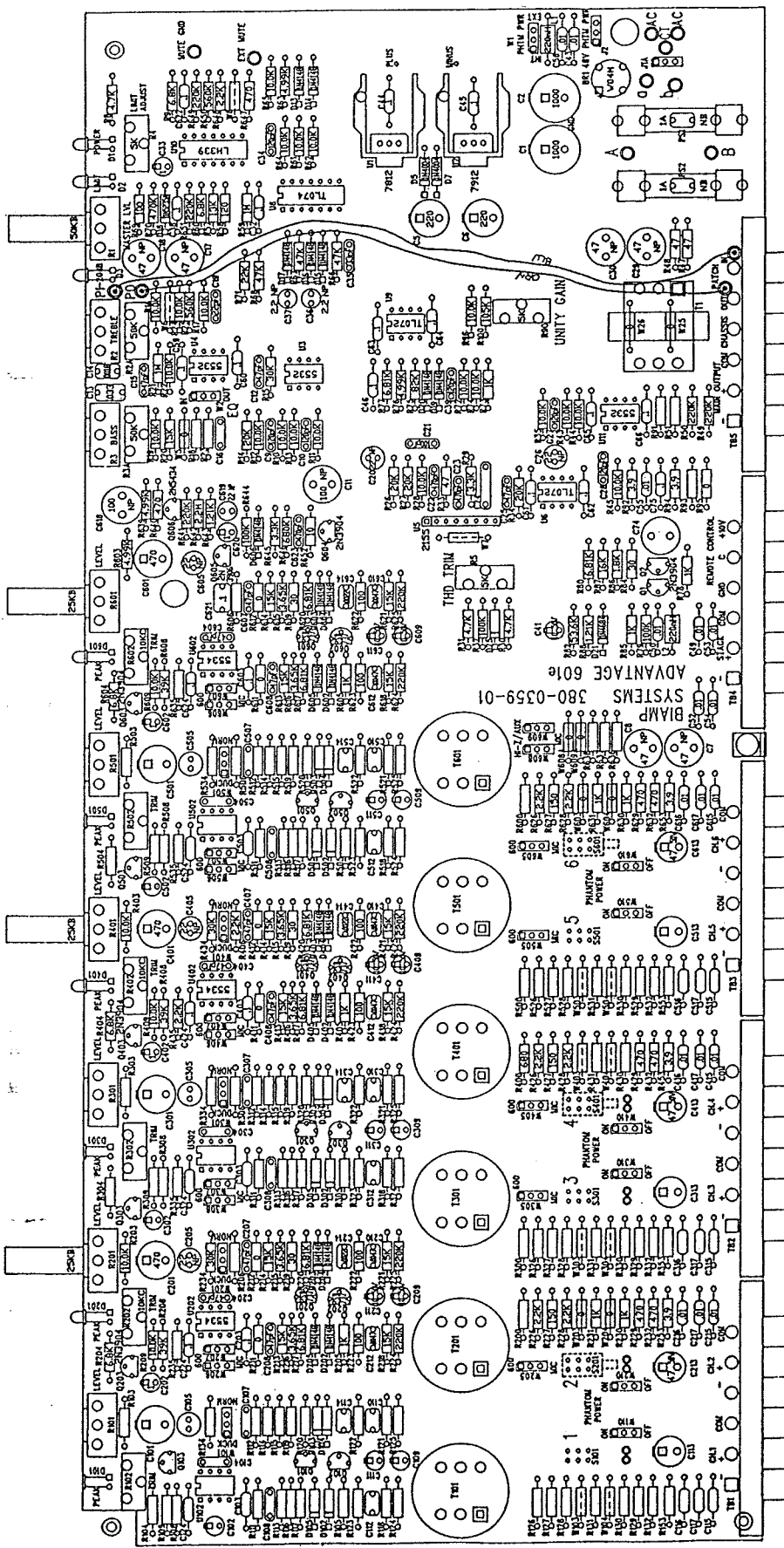
- NOTES:**
1. FOR AUX1, INSTALL W5 AND W6 ONLY.
 2. FOR AUX2, INSTALL W3 AND W4 ONLY.
 3. FOR AUX3, INSTALL W1 AND W2 ONLY.
 4. D2 INSTALL ON AUX3 BOARD ONLY.

ITEM	PART NO.	DESCRIPTION	QTY	UNIT
1	ND	ADVANTAGE - AM BOARD	1	PCB
2	ND	RESISTORS	1	PCB
3	ND	CAPACITORS	1	PCB
4	ND	OP-AMP BUFFERS	1	PCB
5	ND	DIODE	1	PCB
6	ND	WIRE	1	PCB
7	ND	WIRE	1	PCB
8	ND	WIRE	1	PCB
9	ND	WIRE	1	PCB
10	ND	WIRE	1	PCB
11	ND	WIRE	1	PCB
12	ND	WIRE	1	PCB
13	ND	WIRE	1	PCB
14	ND	WIRE	1	PCB
15	ND	WIRE	1	PCB
16	ND	WIRE	1	PCB
17	ND	WIRE	1	PCB
18	ND	WIRE	1	PCB
19	ND	WIRE	1	PCB
20	ND	WIRE	1	PCB
21	ND	WIRE	1	PCB
22	ND	WIRE	1	PCB
23	ND	WIRE	1	PCB
24	ND	WIRE	1	PCB
25	ND	WIRE	1	PCB

REV	DESCRIPTION	DATE	BY	CHKD
A	016-83	1983	ND	ND
B	016-83	1983	ND	ND
C	016-83	1983	ND	ND

1 2 3 4

REV	DATE	DESCRIPTION	APPROVED
1		INITIAL RELEASE	



380-0359-01

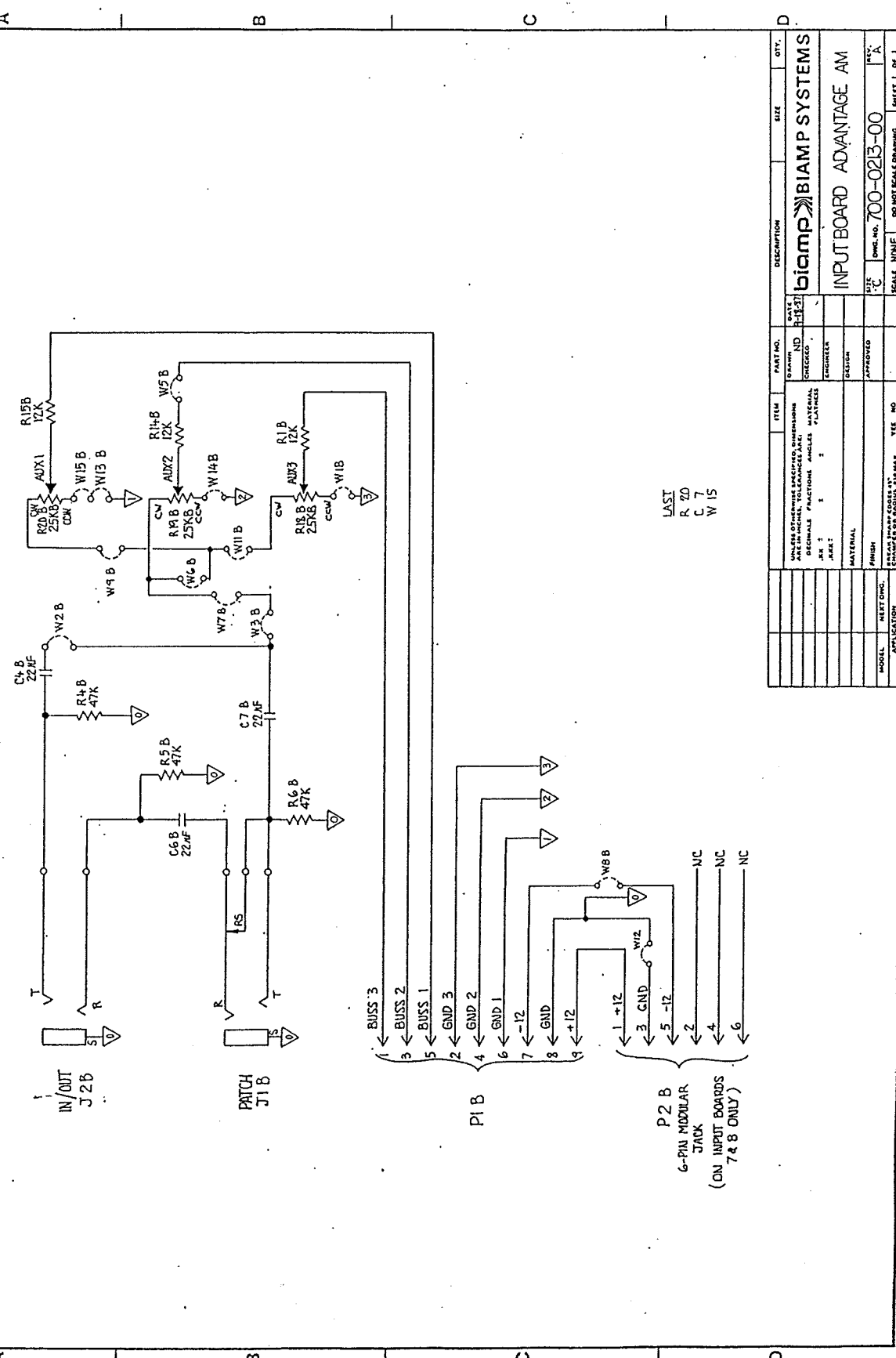
BIAMP SYSTEMS
 14270 N.W. Science Park Drive
 Portland, Oregon 97229
 (503) 641-7287

BIAMP SYSTEMS		DATE	3/1/82
APPROVALS	DESIGNED	PLACED	DATE
MAILED	DRIVEN	ASSEMBLED	TESTED
FUNCTIONS	TESTED	FUNCTIONS	TESTED
MATERIAL			
DO NOT SCALE DRAWING			
NEXT ASST	USED ON	PROD COST	
APPLICATION			
REV	D	701-0443-00	REV

ADVANTAGE 301e
 COMPONENT LAYOUT

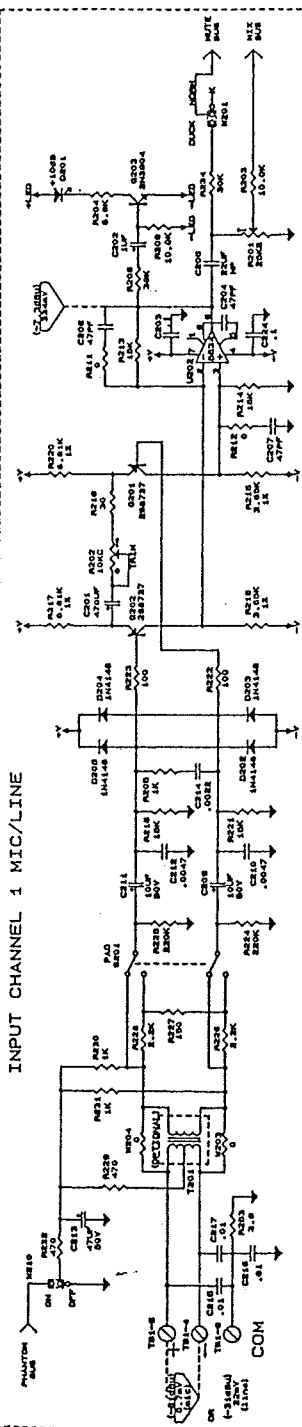
ALL DIMENSIONS UNLESS OTHERWISE SPECIFIED ARE IN INCHES
 DIMENSIONS IN PARENTHESES ARE DIMENSIONS OF THE BOARD
 DIMENSIONS OF THE BOARD ARE IN MILLIMETERS
 DIMENSIONS OF THE BOARD ARE IN MILLIMETERS

THIS DRAWING IS THE PROPERTY OF BIAMP SYSTEMS, INC. AND IS NOT TO BE REPRODUCED OR TRANSMITTED IN ANY FORM OR BY ANY MEANS, ELECTRONIC OR MECHANICAL, INCLUDING PHOTOCOPYING, RECORDING, OR BY ANY INFORMATION STORAGE AND RETRIEVAL SYSTEM. THE DESIGN AND CONSTRUCTION OF THIS BOARD SHALL BE THE RESPONSIBILITY OF THE USER. BIAMP SYSTEMS, INC. MAKES NO WARRANTY, EXPRESS OR IMPLIED, FOR THE PERFORMANCE OF THIS BOARD.

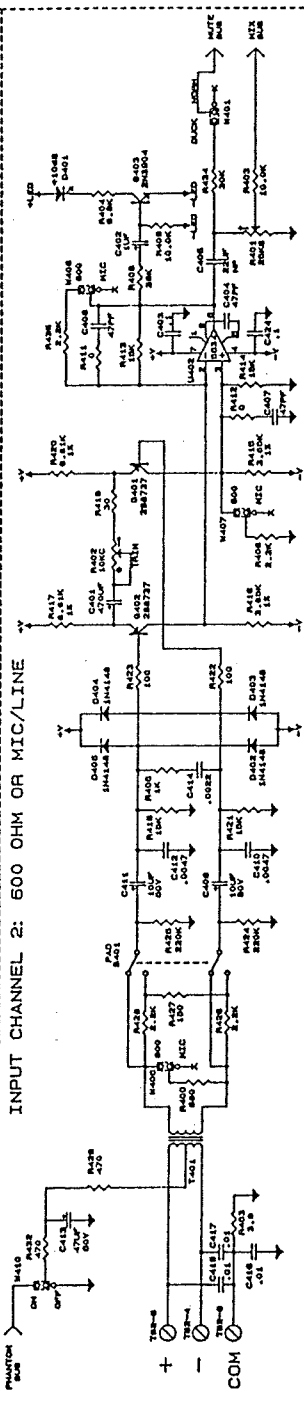


ITEM	PART NO.	DESCRIPTION	SIZE	QTY.
biamp BIAMP SYSTEMS INPUT BOARD ADVANTAGE AM				
DRAWN BY: ND CHECKED BY: ND DESIGNED BY: ND APPROVED BY: ND				
MATERIAL: _____ FINISH: _____ MODEL: _____ NEXT DWG.: _____ APPLICATION: _____				
SCALE: NONE DO NOT SCALE DRAWING				
SHEET 1 OF 1				

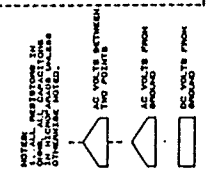
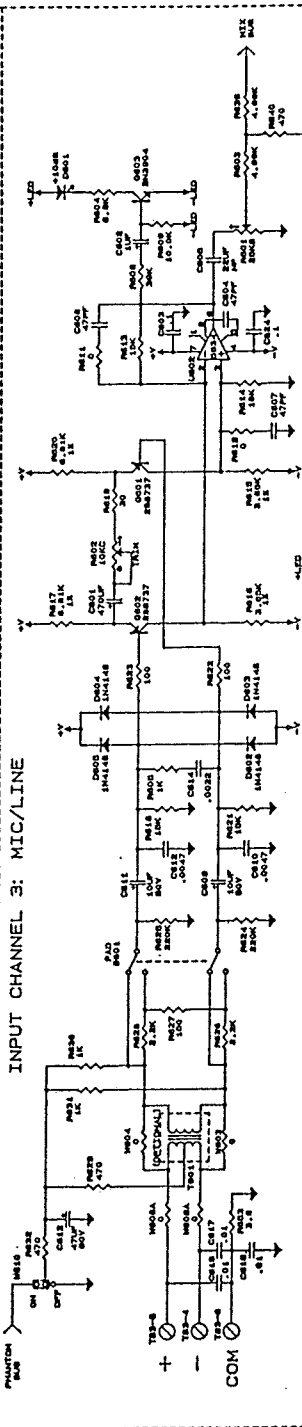
INPUT CHANNEL 1 MIC/LINE



INPUT CHANNEL 2: 500 OHM OR MIC/LINE



INPUT CHANNEL 3: MIC/LINE



NOTES: RESISTORS IN ALL SCHEMATICS ARE 1% TOLERANCE UNLESS OTHERWISE NOTED.

AC VOLTS BETWEEN TWO POINTS

AC VOLTS FROM GROUND

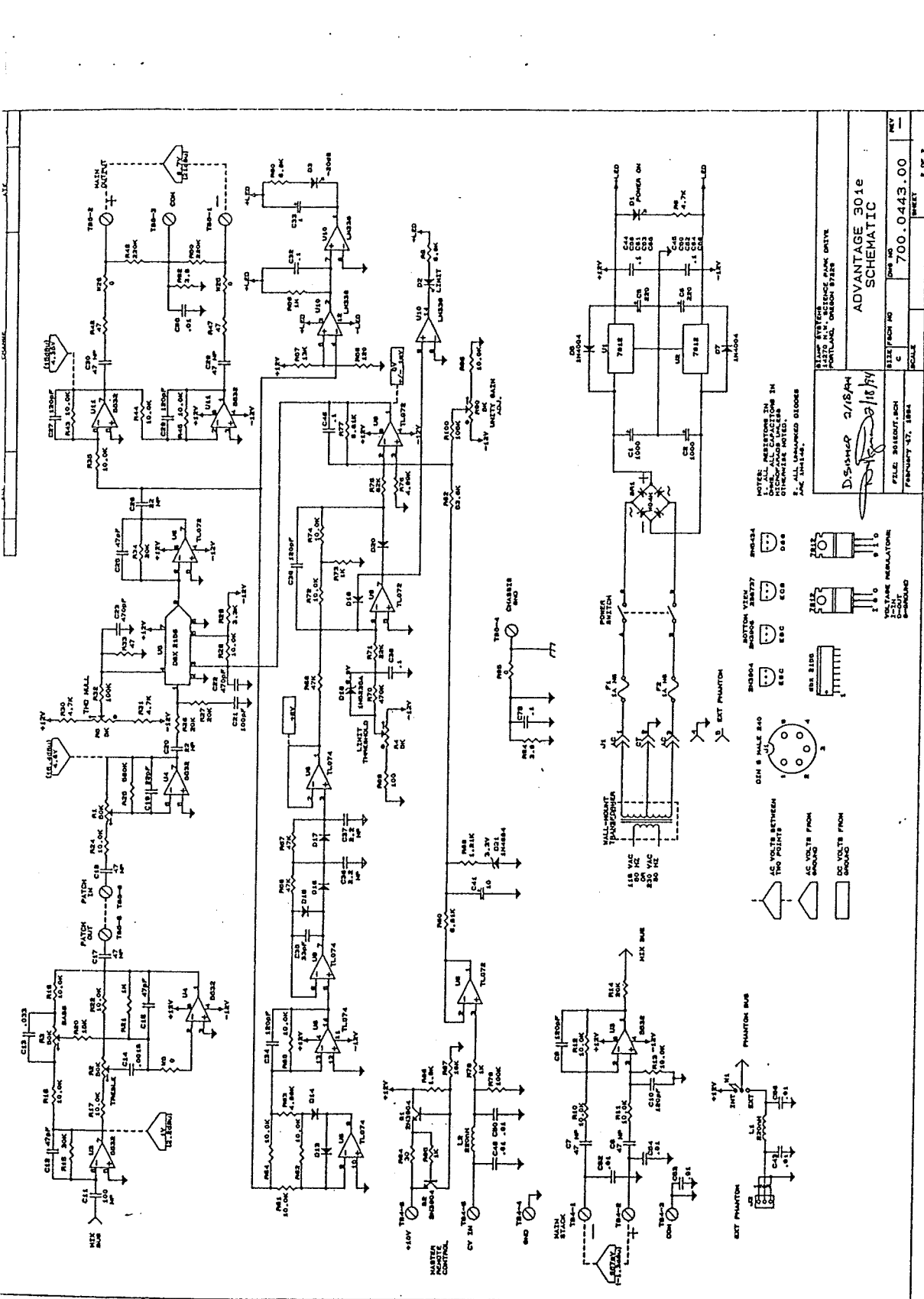
DC VOLTS FROM GROUND

ADVANTAGE 301E SCHEMATIC

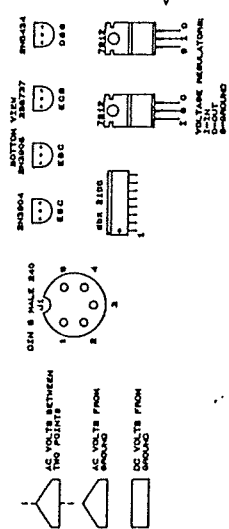
FILE 301E.HON
 FILE 301E.HON
 FILE 301E.HON
 FILE 301E.HON

DATE 12/14/84
 DRAWN BY [Signature]
 CHECKED BY [Signature]

700-0443-00



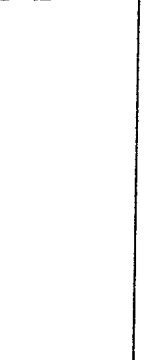
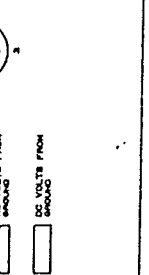
NOTE: RESISTORS IN
 SQUARE BOXES ARE
 1% TOLERANCE UNLESS
 OTHERWISE NOTED.
 ALL CAPACITORS
 ARE 50V UNLESS
 OTHERWISE NOTED.



ADVANTAGE 301e
 SCHEMATIC

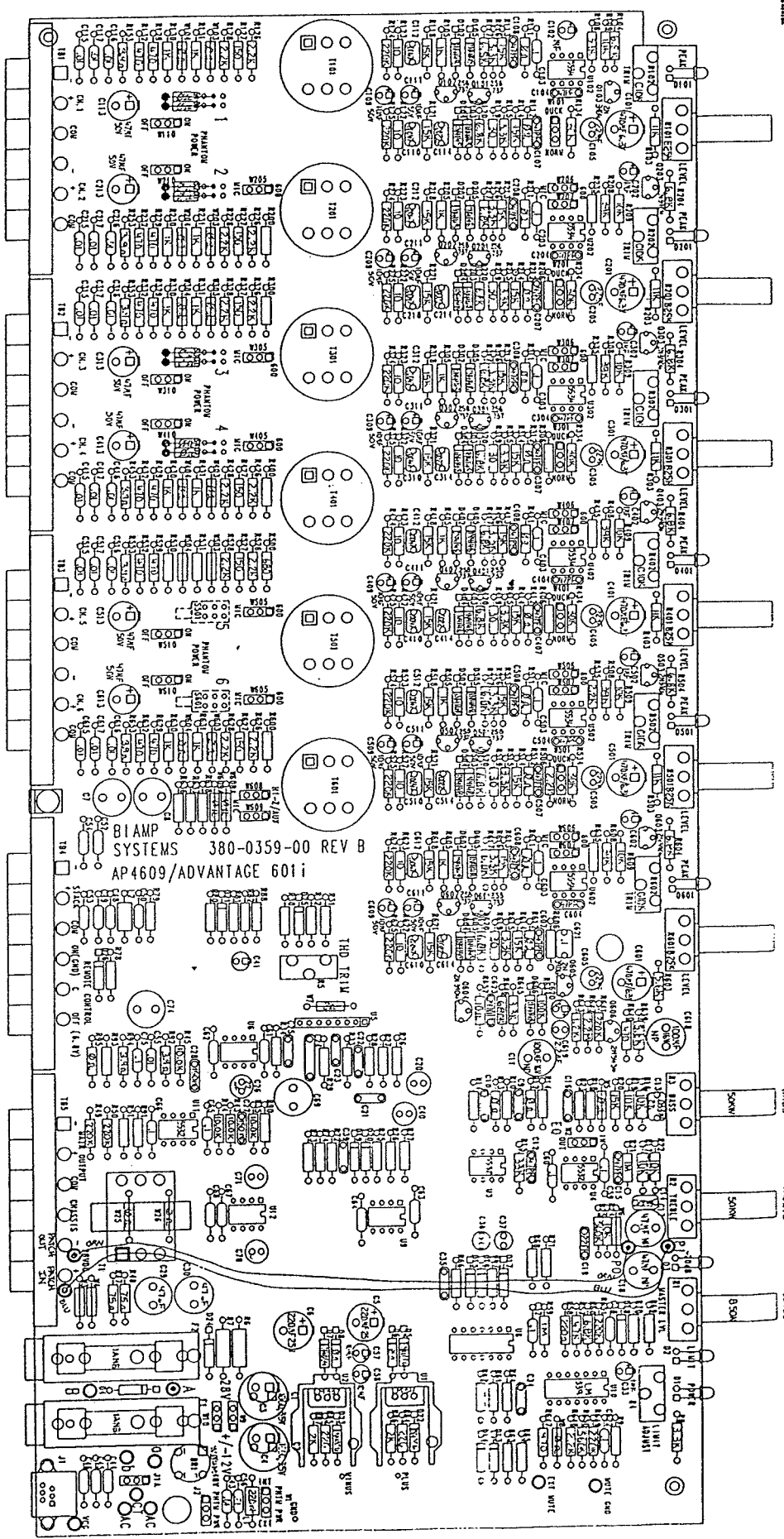
FILE: 301E001.SCH
 SHEET: 17
 DATE: 11/18/84
 700.0443.00

ALL VOLTAGE MEASUREMENTS
 SHOULD BE TAKEN FROM
 THE POINTS SHOWN IN
 THE SCHEMATIC.



DATE: 11/18/84
 700.0443.00

380-0359-00 REV B
 AP4609/ADVANTAGE 601 i
 380-0359-00 REV B
 AP4609/ADVANTAGE 601 i



BIAMP SYSTEMS 380-0359-00 REV B
 AP4609/ADVANTAGE 601 i

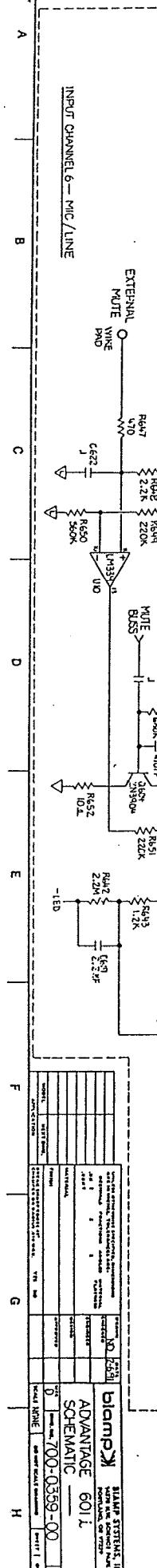
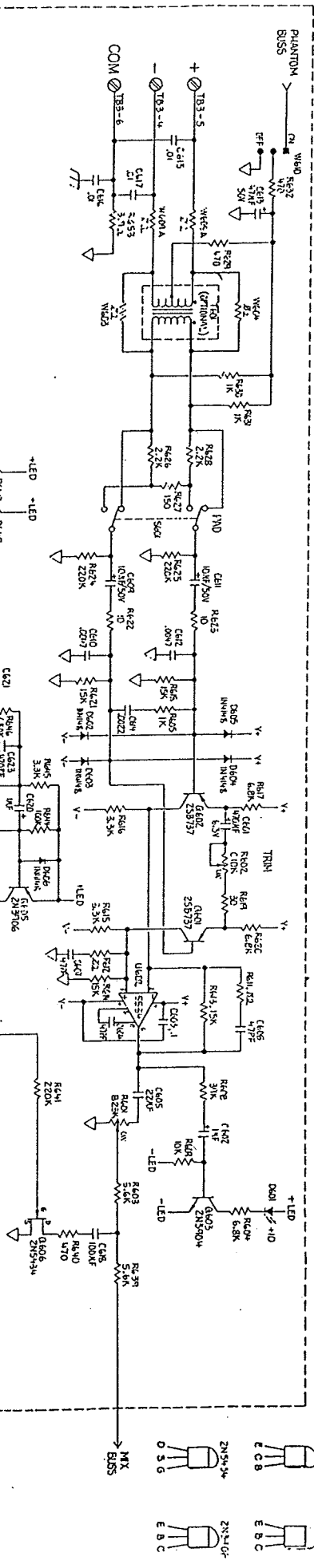
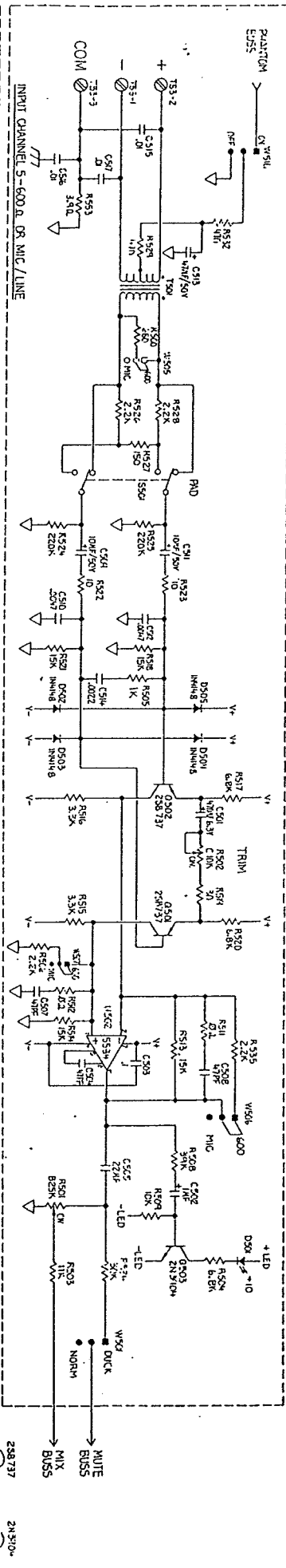
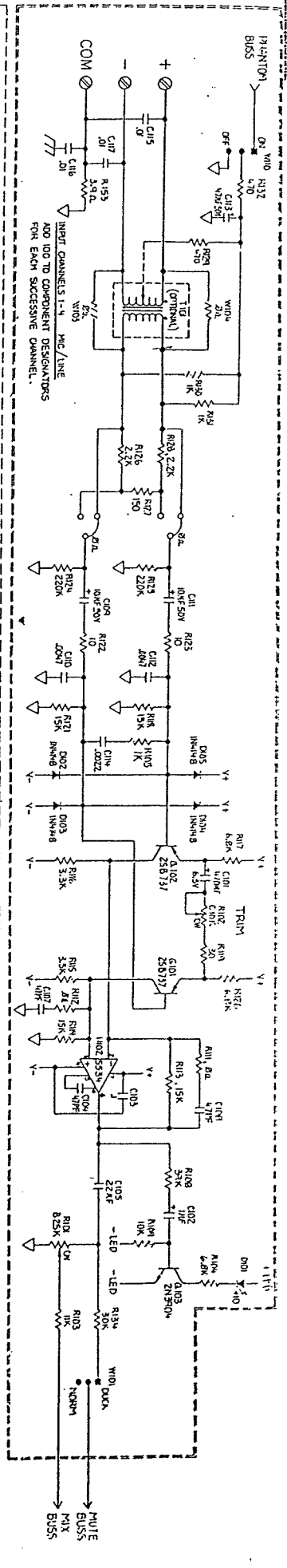
BIAMP SYSTEMS
 14720 N.W. Science Park Drive
 Portland, Oregon 97229
 (503) 641-7287

380-0359-00 REV B
 Sheet 1 of 5: Silkscreen

REV	DATE	DESCRIPTION
1	07/01/98	Initial Release
2	07/01/98	Initial Release
3	07/01/98	Initial Release
4	07/01/98	Initial Release
5	07/01/98	Initial Release
6	07/01/98	Initial Release
7	07/01/98	Initial Release
8	07/01/98	Initial Release
9	07/01/98	Initial Release
10	07/01/98	Initial Release

A B C D E F G H

3800359P.job - Thu Mar 28 08:58:59 1991

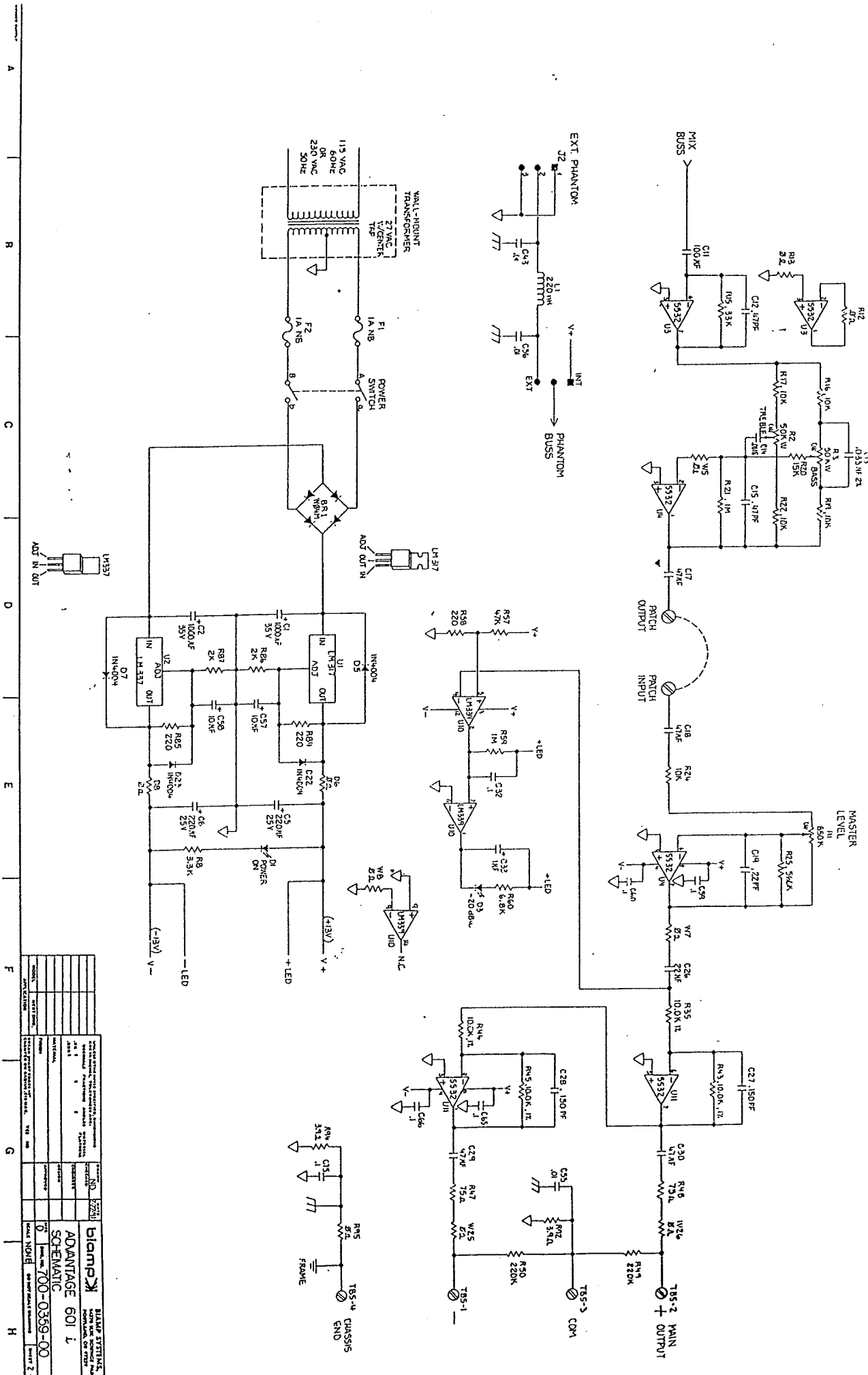


blamp SYSTEMS, INC.
 1000 W. 10th Street, Suite 100
 Phoenix, AZ 85001
 Phone: 602-944-7000
 Fax: 602-944-7001
 Website: www.blamp.com

blamp ADVANTAGE 601 I
 SCHEMATIC

REV	DATE	DESCRIPTION
1	10/15/00	Initial Release
2	01/10/01	Revised for Component Changes
3	03/10/01	Revised for Component Changes
4	05/10/01	Revised for Component Changes
5	07/10/01	Revised for Component Changes
6	09/10/01	Revised for Component Changes
7	11/10/01	Revised for Component Changes
8	01/10/02	Revised for Component Changes
9	03/10/02	Revised for Component Changes
10	05/10/02	Revised for Component Changes
11	07/10/02	Revised for Component Changes
12	09/10/02	Revised for Component Changes
13	11/10/02	Revised for Component Changes
14	01/10/03	Revised for Component Changes
15	03/10/03	Revised for Component Changes
16	05/10/03	Revised for Component Changes
17	07/10/03	Revised for Component Changes
18	09/10/03	Revised for Component Changes
19	11/10/03	Revised for Component Changes
20	01/10/04	Revised for Component Changes
21	03/10/04	Revised for Component Changes
22	05/10/04	Revised for Component Changes
23	07/10/04	Revised for Component Changes
24	09/10/04	Revised for Component Changes
25	11/10/04	Revised for Component Changes
26	01/10/05	Revised for Component Changes
27	03/10/05	Revised for Component Changes
28	05/10/05	Revised for Component Changes
29	07/10/05	Revised for Component Changes
30	09/10/05	Revised for Component Changes
31	11/10/05	Revised for Component Changes
32	01/10/06	Revised for Component Changes
33	03/10/06	Revised for Component Changes
34	05/10/06	Revised for Component Changes
35	07/10/06	Revised for Component Changes
36	09/10/06	Revised for Component Changes
37	11/10/06	Revised for Component Changes
38	01/10/07	Revised for Component Changes
39	03/10/07	Revised for Component Changes
40	05/10/07	Revised for Component Changes
41	07/10/07	Revised for Component Changes
42	09/10/07	Revised for Component Changes
43	11/10/07	Revised for Component Changes
44	01/10/08	Revised for Component Changes
45	03/10/08	Revised for Component Changes
46	05/10/08	Revised for Component Changes
47	07/10/08	Revised for Component Changes
48	09/10/08	Revised for Component Changes
49	11/10/08	Revised for Component Changes
50	01/10/09	Revised for Component Changes
51	03/10/09	Revised for Component Changes
52	05/10/09	Revised for Component Changes
53	07/10/09	Revised for Component Changes
54	09/10/09	Revised for Component Changes
55	11/10/09	Revised for Component Changes
56	01/10/10	Revised for Component Changes
57	03/10/10	Revised for Component Changes
58	05/10/10	Revised for Component Changes
59	07/10/10	Revised for Component Changes
60	09/10/10	Revised for Component Changes
61	11/10/10	Revised for Component Changes
62	01/10/11	Revised for Component Changes
63	03/10/11	Revised for Component Changes
64	05/10/11	Revised for Component Changes
65	07/10/11	Revised for Component Changes
66	09/10/11	Revised for Component Changes
67	11/10/11	Revised for Component Changes
68	01/10/12	Revised for Component Changes
69	03/10/12	Revised for Component Changes
70	05/10/12	Revised for Component Changes
71	07/10/12	Revised for Component Changes
72	09/10/12	Revised for Component Changes
73	11/10/12	Revised for Component Changes
74	01/10/13	Revised for Component Changes
75	03/10/13	Revised for Component Changes
76	05/10/13	Revised for Component Changes
77	07/10/13	Revised for Component Changes
78	09/10/13	Revised for Component Changes
79	11/10/13	Revised for Component Changes
80	01/10/14	Revised for Component Changes
81	03/10/14	Revised for Component Changes
82	05/10/14	Revised for Component Changes
83	07/10/14	Revised for Component Changes
84	09/10/14	Revised for Component Changes
85	11/10/14	Revised for Component Changes
86	01/10/15	Revised for Component Changes
87	03/10/15	Revised for Component Changes
88	05/10/15	Revised for Component Changes
89	07/10/15	Revised for Component Changes
90	09/10/15	Revised for Component Changes
91	11/10/15	Revised for Component Changes
92	01/10/16	Revised for Component Changes
93	03/10/16	Revised for Component Changes
94	05/10/16	Revised for Component Changes
95	07/10/16	Revised for Component Changes
96	09/10/16	Revised for Component Changes
97	11/10/16	Revised for Component Changes
98	01/10/17	Revised for Component Changes
99	03/10/17	Revised for Component Changes
100	05/10/17	Revised for Component Changes

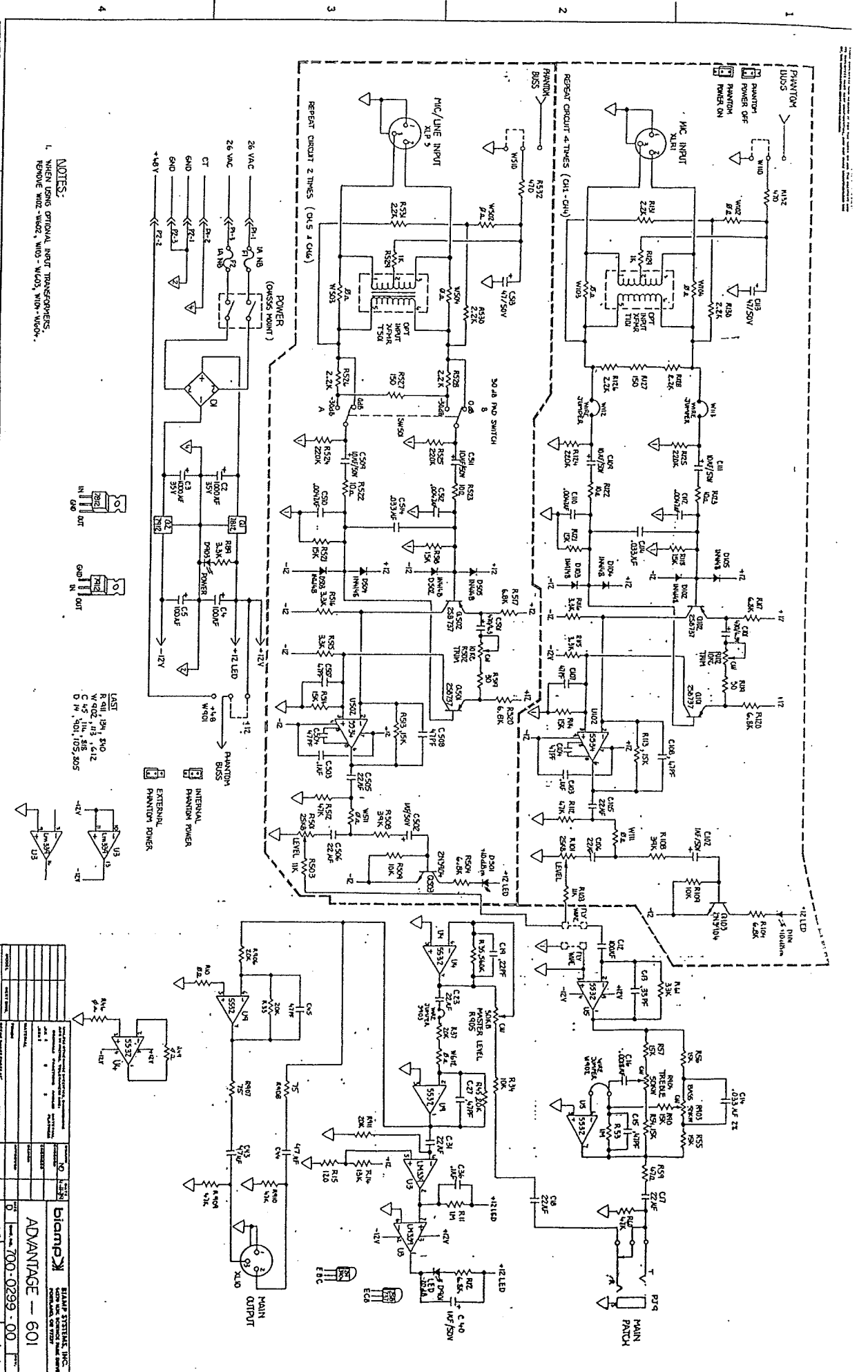
Copyright © 1988 by Blamont Systems, Inc. All rights reserved. This document is the property of Blamont Systems, Inc. and is to be used only for the specific project identified herein. No part of this document may be reproduced without the written permission of Blamont Systems, Inc.



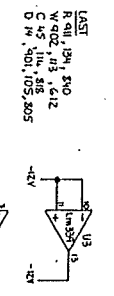
MODEL	ADVANTAGE 601 L
DATE	07/88
DESIGNED BY	...
CHECKED BY	...
APPROVED BY	...
DATE	07/88
REV	0
REV DESCRIPTION	...
REV	1
REV DESCRIPTION	...
REV	2
REV DESCRIPTION	...

Blamont Systems, Inc.
ADVANTAGE 601 L
SCHEMATIC
 700-0359-00
 PRINTED IN U.S.A.
 1988

A B C D E F G H

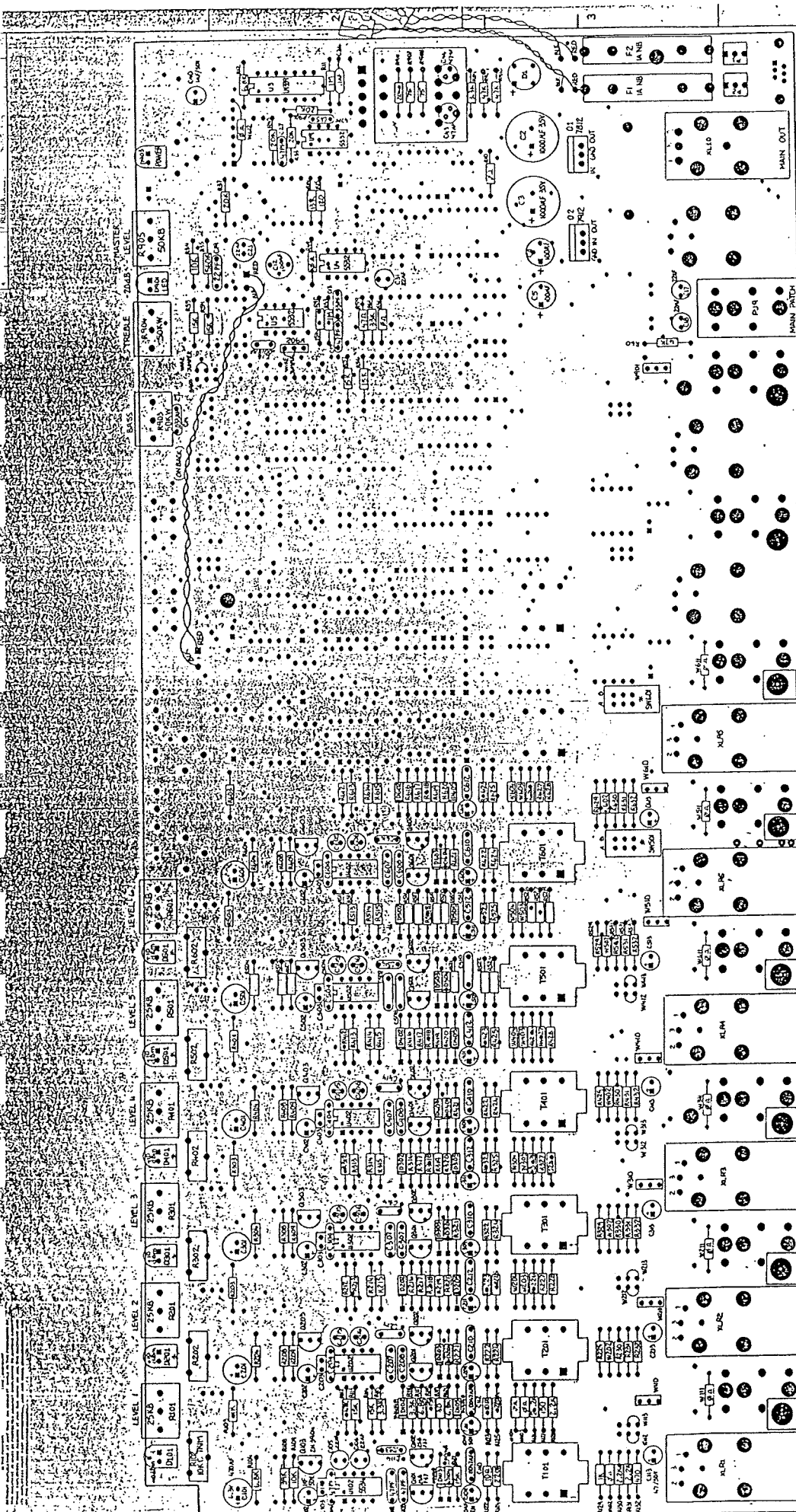


NOTES:
1. WHEN USING OPTIONAL INERT TRANSFORMERS,
REMOVE WIND-1602Z, WIND-1603, WIND-1604, WIND-1605.



REV.	DESCRIPTION	DATE	BY	CHKD.
01	ISSUED FOR PRODUCTION			
02	REVISED TO ACCOMMODATE CHANGES TO THE BOARD LAYOUT			

Biamp K **BLAMP SYSTEMS, INC.**
 1400 N. W. 10TH AVENUE
 MIAMI, FL 33142
 (305) 551-1000
ADVANTAGE - 601
 PART NO. 700-0299-00
 SHEET 1 OF 1



360-0199-01 REV B

BRACKET, PIN 520-0061-00
IN COMPONENT SIDE
(4A)

NOTES:

1. WHEN USING OPTIONAL INVT TRANSFORMERS REMOVE W102 - W602, W103 - W403, W104 - W604.
2. COMPONENTS MARKED "A" ARE INSTALLED ON THE "A" SIDE.
3. CHANNEL 1 - CHANNEL 4 ARE IDENTICAL.
CHANNEL 5 - CHANNEL 8 ARE IDENTICAL.

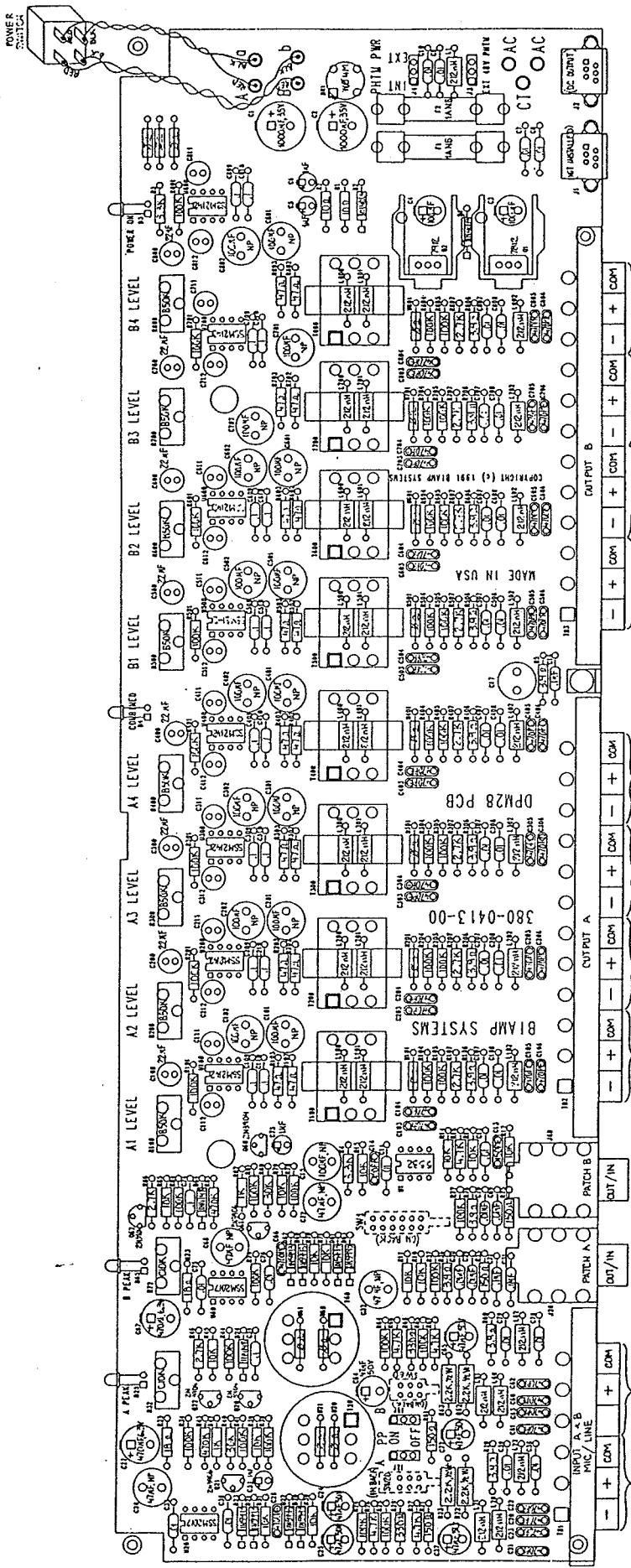
JUMPERABLE OPTIONS

PHANTOM POWER ON EACH CHANNEL	W102-W602	W103-W403	W104-W604	ON
	<input type="checkbox"/>	<input type="checkbox"/>	<input type="checkbox"/>	<input type="checkbox"/>
PHANTOM SUPPLY	W401	EXTERNAL	INTERNAL	
	<input type="checkbox"/>	<input type="checkbox"/>	<input type="checkbox"/>	

4

REV	DATE	BY	CHKD	APP'D
1				
2				
3				
4				
5				
6				
7				
8				
9				
10				
11				
12				
13				
14				
15				
16				
17				
18				
19				
20				
21				
22				
23				
24				
25				
26				
27				
28				
29				
30				
31				
32				
33				
34				
35				
36				
37				
38				
39				
40				
41				
42				
43				
44				
45				
46				
47				
48				
49				
50				

BIAMP SYSTEMS, INC.
10000 WILSON BLVD
MIRAMONTE, CA 92031
360-0199-01
COMPONENT LAYOUT
ADVANTAGE 601
REV 23
DATE 01-02-99
BY [Signature]
CHKD [Signature]
APP'D [Signature]



Sheet 1 of 5: Silhouette

380-0413-00
DPM28 PCB

BIAMP SYSTEMS
14270 N.W. Science Park Drive
Portland, Oregon 97229
(503) 841-7287

TO INSTALL OPTIONAL INPUT TRANSFORMERS

CHANNEL A	CHANNEL B
REMOVE W20	REMOVE W40
REMOVE W21	REMOVE W41
INSTALL T20	INSTALL T40

TO INSTALL OPTIONAL OUTPUT TRANSFORMERS.

OUTPUT A1	OUTPUT A2	OUTPUT A3	OUTPUT A4	OUTPUT B1	OUTPUT B2	OUTPUT B3	OUTPUT B4
REMOVE L100	REMOVE L200	REMOVE L300	REMOVE L400	REMOVE L500	REMOVE L600	REMOVE L700	REMOVE L800
REMOVE R100	REMOVE R200	REMOVE R300	REMOVE R400	REMOVE R500	REMOVE R600	REMOVE R700	REMOVE R800
INSTALL T100	INSTALL T200	INSTALL T300	INSTALL T400	INSTALL T500	INSTALL T600	INSTALL T700	INSTALL T800

NO.	DESCRIPTION	QTY	REF. DESIG.	DATE	BY
1	REVISION				
2	REVISION				
3	REVISION				
4	REVISION				
5	REVISION				
6	REVISION				
7	REVISION				
8	REVISION				
9	REVISION				
10	REVISION				

NO.	DESCRIPTION	QTY	REF. DESIG.	DATE	BY
1	REVISION				
2	REVISION				
3	REVISION				
4	REVISION				
5	REVISION				
6	REVISION				
7	REVISION				
8	REVISION				
9	REVISION				
10	REVISION				

NO.	DESCRIPTION	QTY	REF. DESIG.	DATE	BY
1	REVISION				
2	REVISION				
3	REVISION				
4	REVISION				
5	REVISION				
6	REVISION				
7	REVISION				
8	REVISION				
9	REVISION				
10	REVISION				

NO.	DESCRIPTION	QTY	REF. DESIG.	DATE	BY
1	REVISION				
2	REVISION				
3	REVISION				
4	REVISION				
5	REVISION				
6	REVISION				
7	REVISION				
8	REVISION				
9	REVISION				
10	REVISION				

NO.	DESCRIPTION	QTY	REF. DESIG.	DATE	BY
1	REVISION				
2	REVISION				
3	REVISION				
4	REVISION				
5	REVISION				
6	REVISION				
7	REVISION				
8	REVISION				
9	REVISION				
10	REVISION				

NO.	DESCRIPTION	QTY	REF. DESIG.	DATE	BY
1	REVISION				
2	REVISION				
3	REVISION				
4	REVISION				
5	REVISION				
6	REVISION				
7	REVISION				
8	REVISION				
9	REVISION				
10	REVISION				

NO.	DESCRIPTION	QTY	REF. DESIG.	DATE	BY
1	REVISION				
2	REVISION				
3	REVISION				
4	REVISION				
5	REVISION				
6	REVISION				
7	REVISION				
8	REVISION				
9	REVISION				
10	REVISION				

3800413.job - Red Jun 17 13:15:09 1991

A B C D E F G H

BIAMP SYSTEMS, INC.
14270 N.W. Science Park Drive
Portland, Oregon 97229
(503) 841-7287

COMPONENT LAYOUT
DPM28

701-0413-00

REV. 1.0

DATE: 1/82

BY: J. L. HARRIS

CHKD: J. L. HARRIS

APPV: J. L. HARRIS

DATE: 1/82

BY: J. L. HARRIS

CHKD: J. L. HARRIS

APPV: J. L. HARRIS

DATE: 1/82

BY: J. L. HARRIS

CHKD: J. L. HARRIS

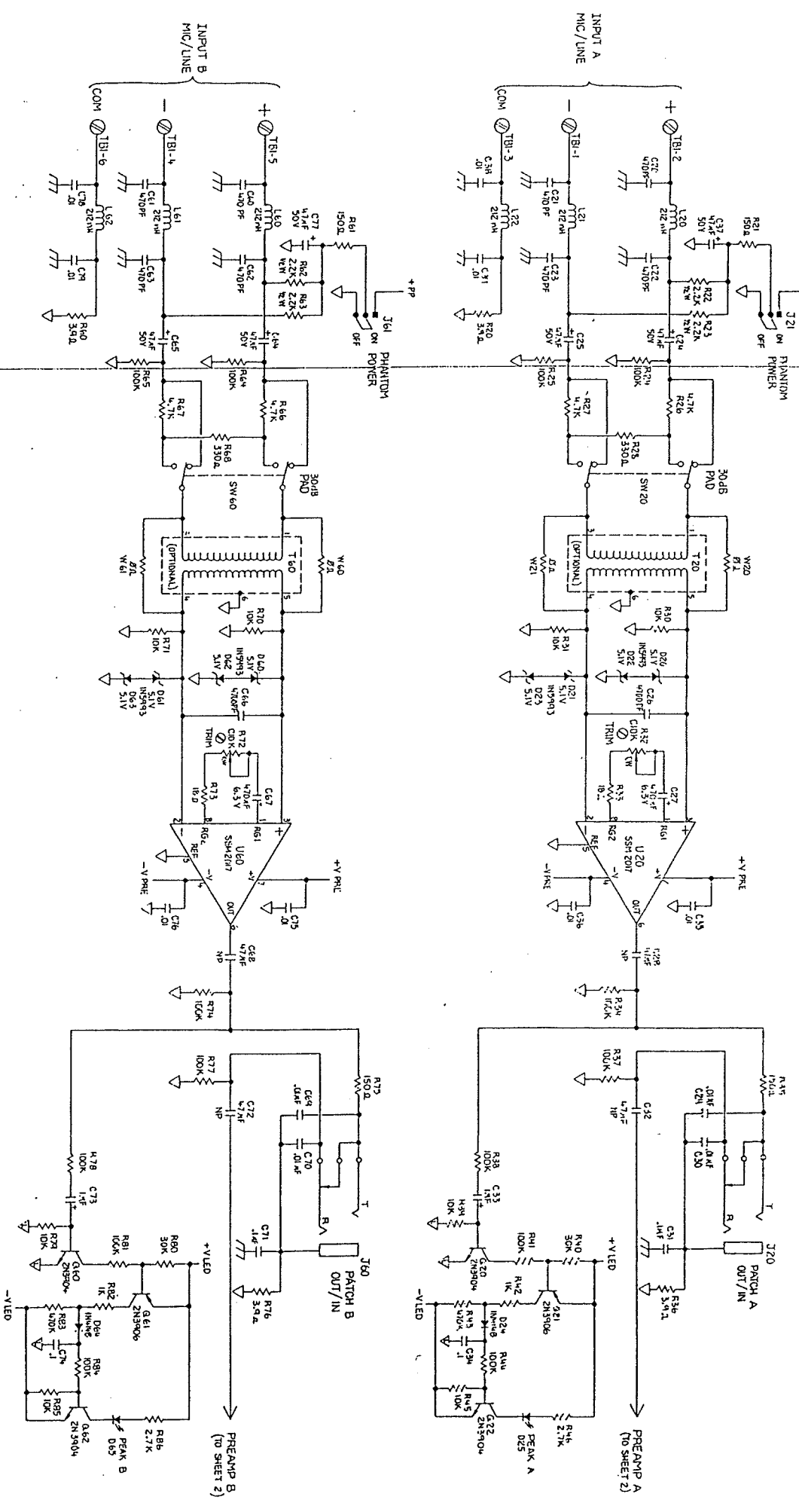
APPV: J. L. HARRIS

DATE: 1/82

BY: J. L. HARRIS

Blamp Corporation
 10000 Blamp Road
 Blamp, CA 94508
 (415) 435-1000
 FAX (415) 435-1001
 www.blamp.com

REV. 1
 DATE: 01-13-00
 DESIGNED BY: J. R. B.
 DRAWN BY: J. R. B.
 CHECKED BY: J. R. B.
 APPROVED BY: J. R. B.
 PART NO. 700-0413-00

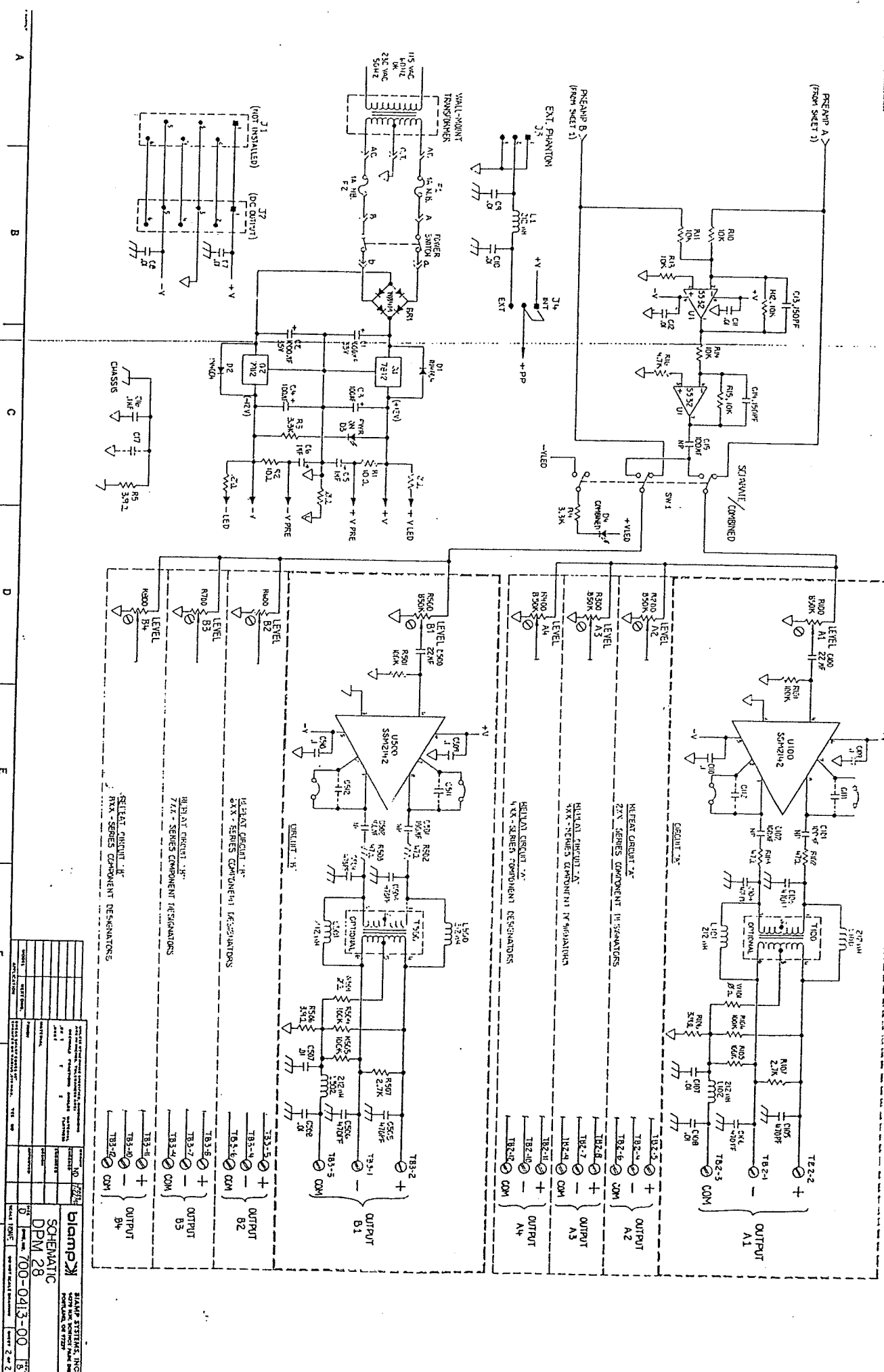


REV.	DATE	DESCRIPTION
1	01-13-00	INITIAL RELEASE

DESIGNED BY	J. R. B.
DRAWN BY	J. R. B.
CHECKED BY	J. R. B.
APPROVED BY	J. R. B.
PART NO.	700-0413-00
REV.	1
DATE	01-13-00
DESCRIPTION	INITIAL RELEASE

COMPANY	Blamp
ADDRESS	10000 Blamp Road Blamp, CA 94508
PHONE	(415) 435-1000
FAX	(415) 435-1001
WWW	www.blamp.com
EMAIL	blamp@blamp.com

THIS SCHEMATIC IS THE PROPERTY OF BIAMP SYSTEMS, INC. IT IS TO BE USED ONLY FOR THE EQUIPMENT SPECIFICALLY IDENTIFIED HEREON. IT IS NOT TO BE REPRODUCED, COPIED, OR TRANSMITTED IN ANY FORM OR BY ANY MEANS, ELECTRONIC OR MECHANICAL, INCLUDING PHOTOCOPYING, RECORDING, OR BY ANY INFORMATION STORAGE AND RETRIEVAL SYSTEM, WITHOUT THE WRITTEN PERMISSION OF BIAMP SYSTEMS, INC.



BIAMP SYSTEMS, INC.	
SCHEMATIC	
DPW 28	
700-0413-00	
REV. 2 of 2	
NO. 1724	DATE 1/83
DESIGNED BY	DATE
CHECKED BY	DATE
APPROVED BY	DATE
PROJECT	DATE
REV. 1	DATE
REV. 2	DATE
REV. 3	DATE
REV. 4	DATE
REV. 5	DATE
REV. 6	DATE
REV. 7	DATE
REV. 8	DATE
REV. 9	DATE
REV. 10	DATE
REV. 11	DATE
REV. 12	DATE
REV. 13	DATE
REV. 14	DATE
REV. 15	DATE
REV. 16	DATE
REV. 17	DATE
REV. 18	DATE
REV. 19	DATE
REV. 20	DATE
REV. 21	DATE
REV. 22	DATE
REV. 23	DATE
REV. 24	DATE
REV. 25	DATE
REV. 26	DATE
REV. 27	DATE
REV. 28	DATE
REV. 29	DATE
REV. 30	DATE
REV. 31	DATE
REV. 32	DATE
REV. 33	DATE
REV. 34	DATE
REV. 35	DATE
REV. 36	DATE
REV. 37	DATE
REV. 38	DATE
REV. 39	DATE
REV. 40	DATE
REV. 41	DATE
REV. 42	DATE
REV. 43	DATE
REV. 44	DATE
REV. 45	DATE
REV. 46	DATE
REV. 47	DATE
REV. 48	DATE
REV. 49	DATE
REV. 50	DATE
REV. 51	DATE
REV. 52	DATE
REV. 53	DATE
REV. 54	DATE
REV. 55	DATE
REV. 56	DATE
REV. 57	DATE
REV. 58	DATE
REV. 59	DATE
REV. 60	DATE
REV. 61	DATE
REV. 62	DATE
REV. 63	DATE
REV. 64	DATE
REV. 65	DATE
REV. 66	DATE
REV. 67	DATE
REV. 68	DATE
REV. 69	DATE
REV. 70	DATE
REV. 71	DATE
REV. 72	DATE
REV. 73	DATE
REV. 74	DATE
REV. 75	DATE
REV. 76	DATE
REV. 77	DATE
REV. 78	DATE
REV. 79	DATE
REV. 80	DATE
REV. 81	DATE
REV. 82	DATE
REV. 83	DATE
REV. 84	DATE
REV. 85	DATE
REV. 86	DATE
REV. 87	DATE
REV. 88	DATE
REV. 89	DATE
REV. 90	DATE
REV. 91	DATE
REV. 92	DATE
REV. 93	DATE
REV. 94	DATE
REV. 95	DATE
REV. 96	DATE
REV. 97	DATE
REV. 98	DATE
REV. 99	DATE
REV. 100	DATE