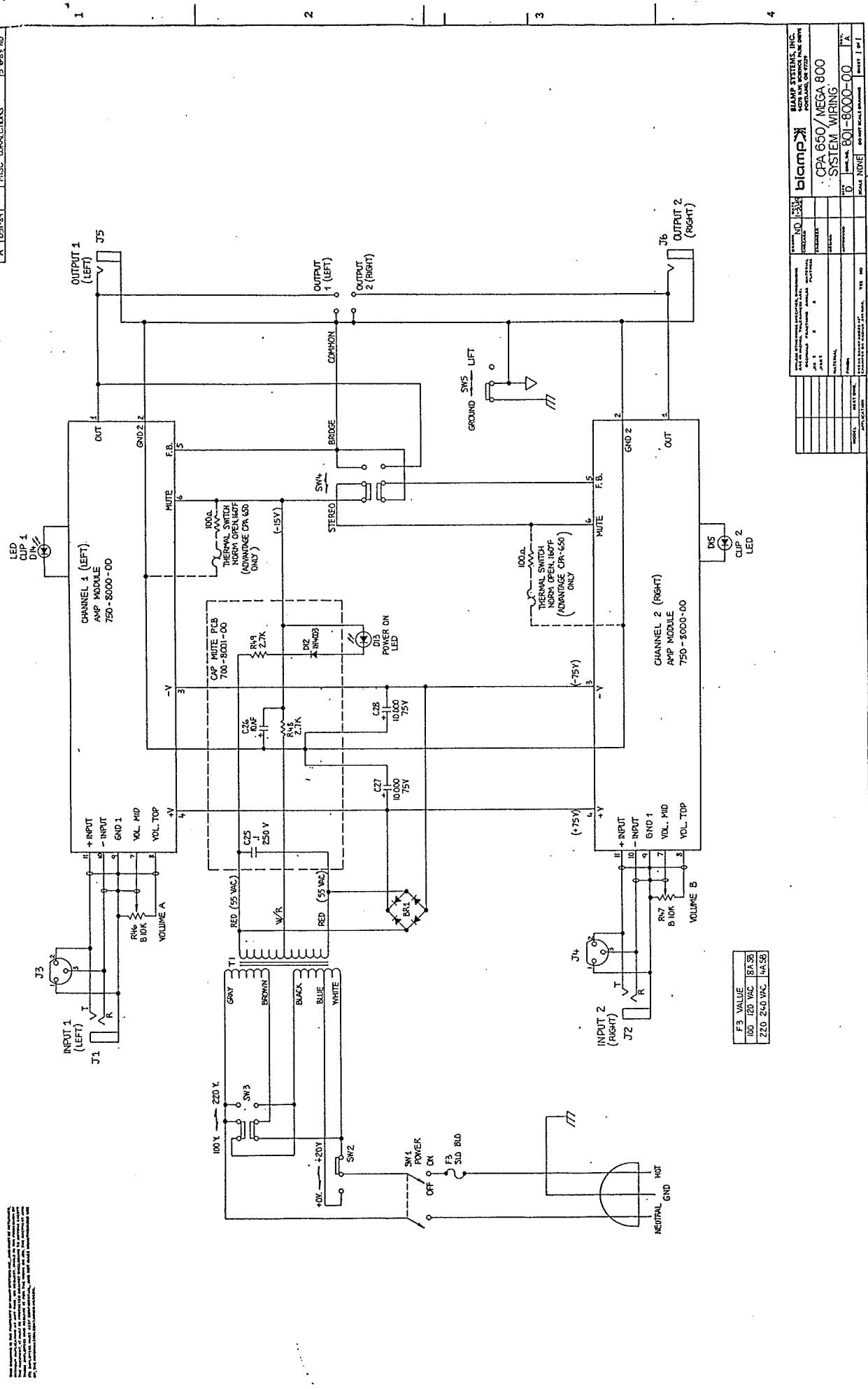


CPA 650

Schematic



10074 SW Arctic Drive Beaverton, OR 97005 503-641-7287

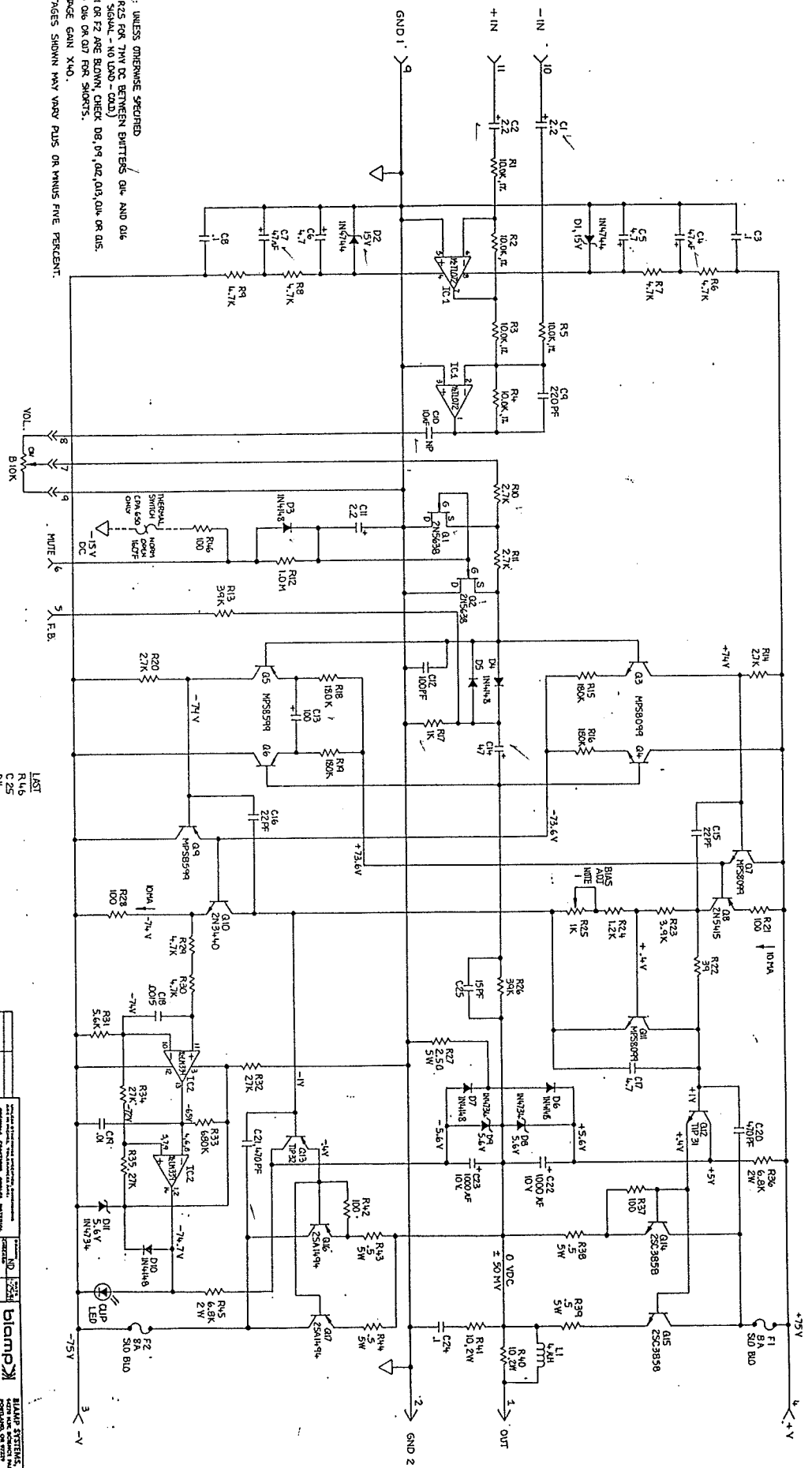


F3 VALUE

100	250 VAC	8A 5B
220	240 VAC	14A 5B

blamp		BLAMP SYSTEMS, INC.
		400 N.W. BOWLING PARK DRIVE
		PORTLAND, OREGON 97208
DATE	REV.	DESCRIPTION
JAN 8	1	CPA 650/MEGA 800 SYSTEM WIRING
JUN 8	2	REVISED TO ADD MUTE SWITCH
JUN 8	3	REVISED TO ADD SWS LIFT SWITCH
JUN 8	4	REVISED TO ADD POWER ON LED
JUN 8	5	REVISED TO ADD LED CH1 1, LED CH2 1, LED CH1 2, LED CH2 2
JUN 8	6	REVISED TO ADD MUTE SWITCH
JUN 8	7	REVISED TO ADD SWS LIFT SWITCH
JUN 8	8	REVISED TO ADD POWER ON LED
JUN 8	9	REVISED TO ADD LED CH1 1, LED CH2 1, LED CH1 2, LED CH2 2
JUN 8	10	REVISED TO ADD MUTE SWITCH
JUN 8	11	REVISED TO ADD SWS LIFT SWITCH
JUN 8	12	REVISED TO ADD POWER ON LED
JUN 8	13	REVISED TO ADD LED CH1 1, LED CH2 1, LED CH1 2, LED CH2 2
JUN 8	14	REVISED TO ADD MUTE SWITCH
JUN 8	15	REVISED TO ADD SWS LIFT SWITCH
JUN 8	16	REVISED TO ADD POWER ON LED
JUN 8	17	REVISED TO ADD LED CH1 1, LED CH2 1, LED CH1 2, LED CH2 2
JUN 8	18	REVISED TO ADD MUTE SWITCH
JUN 8	19	REVISED TO ADD SWS LIFT SWITCH
JUN 8	20	REVISED TO ADD POWER ON LED
JUN 8	21	REVISED TO ADD LED CH1 1, LED CH2 1, LED CH1 2, LED CH2 2
JUN 8	22	REVISED TO ADD MUTE SWITCH
JUN 8	23	REVISED TO ADD SWS LIFT SWITCH
JUN 8	24	REVISED TO ADD POWER ON LED
JUN 8	25	REVISED TO ADD LED CH1 1, LED CH2 1, LED CH1 2, LED CH2 2
JUN 8	26	REVISED TO ADD MUTE SWITCH
JUN 8	27	REVISED TO ADD SWS LIFT SWITCH
JUN 8	28	REVISED TO ADD POWER ON LED
JUN 8	29	REVISED TO ADD LED CH1 1, LED CH2 1, LED CH1 2, LED CH2 2
JUN 8	30	REVISED TO ADD MUTE SWITCH
JUN 8	31	REVISED TO ADD SWS LIFT SWITCH
JUN 8	32	REVISED TO ADD POWER ON LED
JUN 8	33	REVISED TO ADD LED CH1 1, LED CH2 1, LED CH1 2, LED CH2 2
JUN 8	34	REVISED TO ADD MUTE SWITCH
JUN 8	35	REVISED TO ADD SWS LIFT SWITCH
JUN 8	36	REVISED TO ADD POWER ON LED
JUN 8	37	REVISED TO ADD LED CH1 1, LED CH2 1, LED CH1 2, LED CH2 2
JUN 8	38	REVISED TO ADD MUTE SWITCH
JUN 8	39	REVISED TO ADD SWS LIFT SWITCH
JUN 8	40	REVISED TO ADD POWER ON LED
JUN 8	41	REVISED TO ADD LED CH1 1, LED CH2 1, LED CH1 2, LED CH2 2
JUN 8	42	REVISED TO ADD MUTE SWITCH
JUN 8	43	REVISED TO ADD SWS LIFT SWITCH
JUN 8	44	REVISED TO ADD POWER ON LED
JUN 8	45	REVISED TO ADD LED CH1 1, LED CH2 1, LED CH1 2, LED CH2 2
JUN 8	46	REVISED TO ADD MUTE SWITCH
JUN 8	47	REVISED TO ADD SWS LIFT SWITCH
JUN 8	48	REVISED TO ADD POWER ON LED
JUN 8	49	REVISED TO ADD LED CH1 1, LED CH2 1, LED CH1 2, LED CH2 2
JUN 8	50	REVISED TO ADD MUTE SWITCH
JUN 8	51	REVISED TO ADD SWS LIFT SWITCH
JUN 8	52	REVISED TO ADD POWER ON LED
JUN 8	53	REVISED TO ADD LED CH1 1, LED CH2 1, LED CH1 2, LED CH2 2
JUN 8	54	REVISED TO ADD MUTE SWITCH
JUN 8	55	REVISED TO ADD SWS LIFT SWITCH
JUN 8	56	REVISED TO ADD POWER ON LED
JUN 8	57	REVISED TO ADD LED CH1 1, LED CH2 1, LED CH1 2, LED CH2 2
JUN 8	58	REVISED TO ADD MUTE SWITCH
JUN 8	59	REVISED TO ADD SWS LIFT SWITCH
JUN 8	60	REVISED TO ADD POWER ON LED
JUN 8	61	REVISED TO ADD LED CH1 1, LED CH2 1, LED CH1 2, LED CH2 2
JUN 8	62	REVISED TO ADD MUTE SWITCH
JUN 8	63	REVISED TO ADD SWS LIFT SWITCH
JUN 8	64	REVISED TO ADD POWER ON LED
JUN 8	65	REVISED TO ADD LED CH1 1, LED CH2 1, LED CH1 2, LED CH2 2
JUN 8	66	REVISED TO ADD MUTE SWITCH
JUN 8	67	REVISED TO ADD SWS LIFT SWITCH
JUN 8	68	REVISED TO ADD POWER ON LED
JUN 8	69	REVISED TO ADD LED CH1 1, LED CH2 1, LED CH1 2, LED CH2 2
JUN 8	70	REVISED TO ADD MUTE SWITCH
JUN 8	71	REVISED TO ADD SWS LIFT SWITCH
JUN 8	72	REVISED TO ADD POWER ON LED
JUN 8	73	REVISED TO ADD LED CH1 1, LED CH2 1, LED CH1 2, LED CH2 2
JUN 8	74	REVISED TO ADD MUTE SWITCH
JUN 8	75	REVISED TO ADD SWS LIFT SWITCH
JUN 8	76	REVISED TO ADD POWER ON LED
JUN 8	77	REVISED TO ADD LED CH1 1, LED CH2 1, LED CH1 2, LED CH2 2
JUN 8	78	REVISED TO ADD MUTE SWITCH
JUN 8	79	REVISED TO ADD SWS LIFT SWITCH
JUN 8	80	REVISED TO ADD POWER ON LED
JUN 8	81	REVISED TO ADD LED CH1 1, LED CH2 1, LED CH1 2, LED CH2 2
JUN 8	82	REVISED TO ADD MUTE SWITCH
JUN 8	83	REVISED TO ADD SWS LIFT SWITCH
JUN 8	84	REVISED TO ADD POWER ON LED
JUN 8	85	REVISED TO ADD LED CH1 1, LED CH2 1, LED CH1 2, LED CH2 2
JUN 8	86	REVISED TO ADD MUTE SWITCH
JUN 8	87	REVISED TO ADD SWS LIFT SWITCH
JUN 8	88	REVISED TO ADD POWER ON LED
JUN 8	89	REVISED TO ADD LED CH1 1, LED CH2 1, LED CH1 2, LED CH2 2
JUN 8	90	REVISED TO ADD MUTE SWITCH
JUN 8	91	REVISED TO ADD SWS LIFT SWITCH
JUN 8	92	REVISED TO ADD POWER ON LED
JUN 8	93	REVISED TO ADD LED CH1 1, LED CH2 1, LED CH1 2, LED CH2 2
JUN 8	94	REVISED TO ADD MUTE SWITCH
JUN 8	95	REVISED TO ADD SWS LIFT SWITCH
JUN 8	96	REVISED TO ADD POWER ON LED
JUN 8	97	REVISED TO ADD LED CH1 1, LED CH2 1, LED CH1 2, LED CH2 2
JUN 8	98	REVISED TO ADD MUTE SWITCH
JUN 8	99	REVISED TO ADD SWS LIFT SWITCH
JUN 8	100	REVISED TO ADD POWER ON LED

THIS DOCUMENT IS THE PROPERTY OF BLOMPAC SYSTEMS, INC. IT IS LOANED TO YOU BY THE BLOMPAC SYSTEMS, INC. ENGINEERING DEPARTMENT. IT IS TO BE RETURNED TO THE BLOMPAC SYSTEMS, INC. ENGINEERING DEPARTMENT, 10000 W. 10TH AVENUE, DENVER, CO 80231. IF YOU HAVE ANY COMMENTS OR SUGGESTIONS, PLEASE CONTACT THE BLOMPAC SYSTEMS, INC. ENGINEERING DEPARTMENT AT (303) 751-1000.



NOTES: UNLESS OTHERWISE SPECIFIED
 1. SET P25 FOR 70V DC BETWEEN BATTERIES Q16 AND Q16
 (NO SIGNAL - NO LOAD - COIL)
 2. IF F1 OR F2 ARE BROWN, CHECK DB, P9, Q2, Q15, Q16 OR Q15.
 3. VOLTAGE GAIN X40.
 4. VOLTAGES SHOWN MAY VARY PLUS OR MINUS FIVE PERCENT.

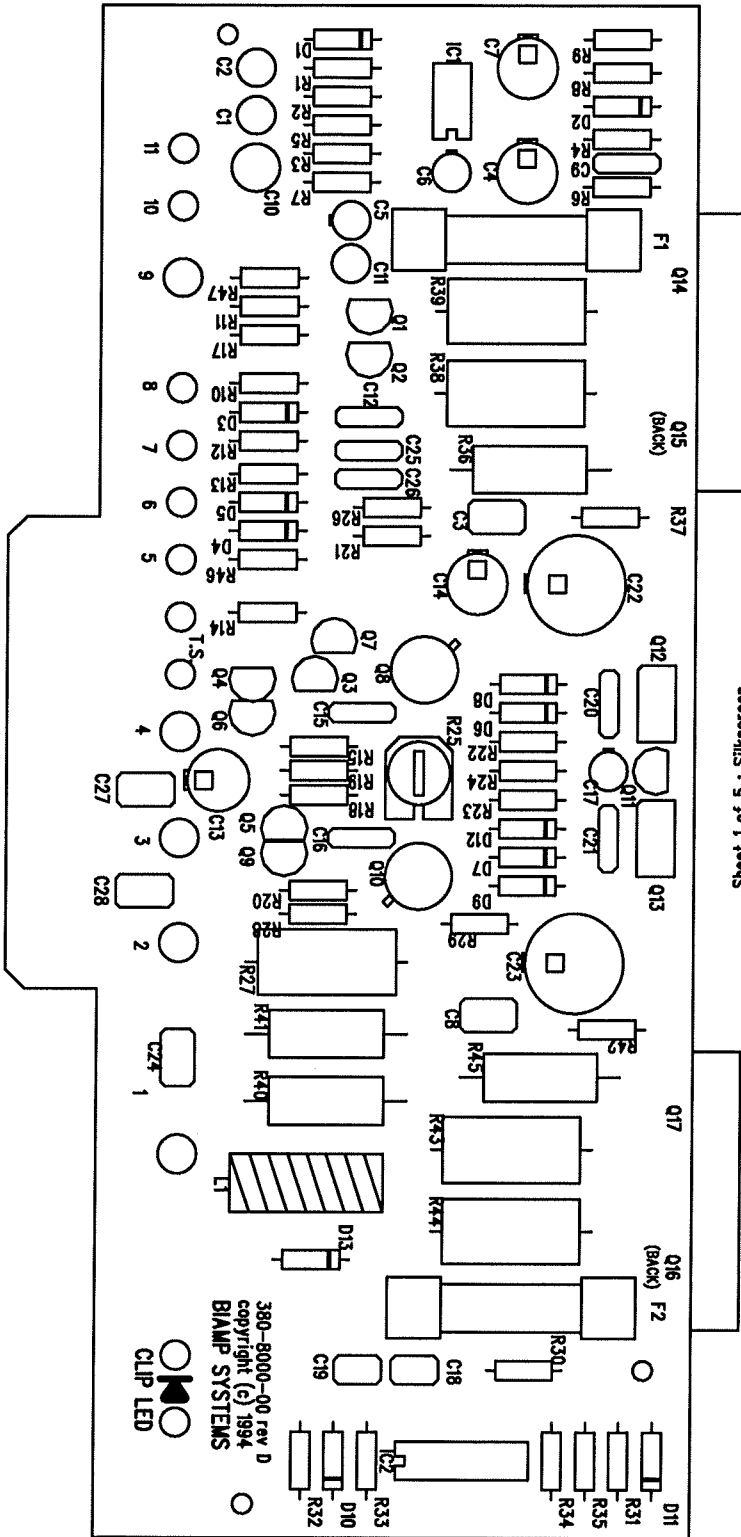
LAST
 R46
 C25
 D12
 F2
 L1
 Q17
 IC2

BLOMPAC SYSTEMS, INC.	
CPA 650	
MEGA AMP-800	
700-8000-00	
REV. 10/77	
PAGE 1 OF 1	

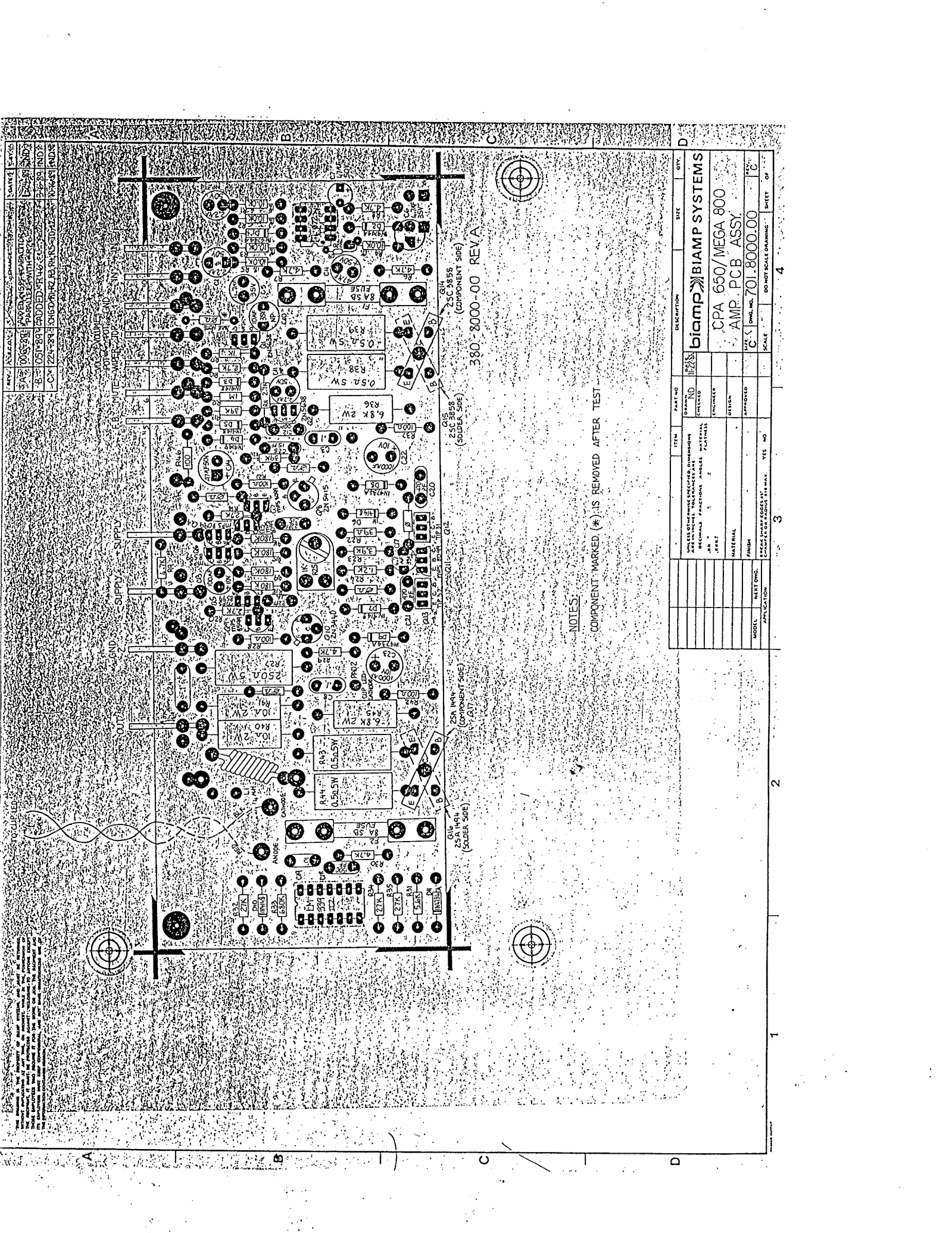
REV.	DATE	DESCRIPTION	BY
A	05/81	ADDED SILENT THERMAL	3-E/S1
B	29-81	CHANGED R1, R2, R3, R4 TO 1K	104/RS1

380-8000-00 REV.D
CPA650 AMP PCB

9



Sheet 1 of 5 : Silkscreen



THE DRAWING IS THE PROPERTY OF BIAMP SYSTEMS. IT IS TO BE USED ONLY FOR THE MANUFACTURE AND REPAIR OF THE EQUIPMENT FOR WHICH IT WAS DESIGNED. IT IS TO BE KEPT IN CONFIDENTIALITY AND NOT TO BE REPRODUCED OR COPIED IN ANY MANNER WITHOUT THE WRITTEN PERMISSION OF BIAMP SYSTEMS.

NOTES:
COMPONENT MARKED (*) IS REMOVED AFTER TEST.

ITEM	DESCRIPTION	SIZE	QTY
1	BIAMP SYSTEMS		
2	CPA 650/MEGA 800		
3	AMP PCB ASSY		
4	BIAMP No. 701-8000.00		

DESCRIPTION	DATE	BY	APP'D
DESIGNED			
CHECKED			
APPROVED			
FINISH			
SCALE	DO NOT SCALE DRAWING		SHEET OF