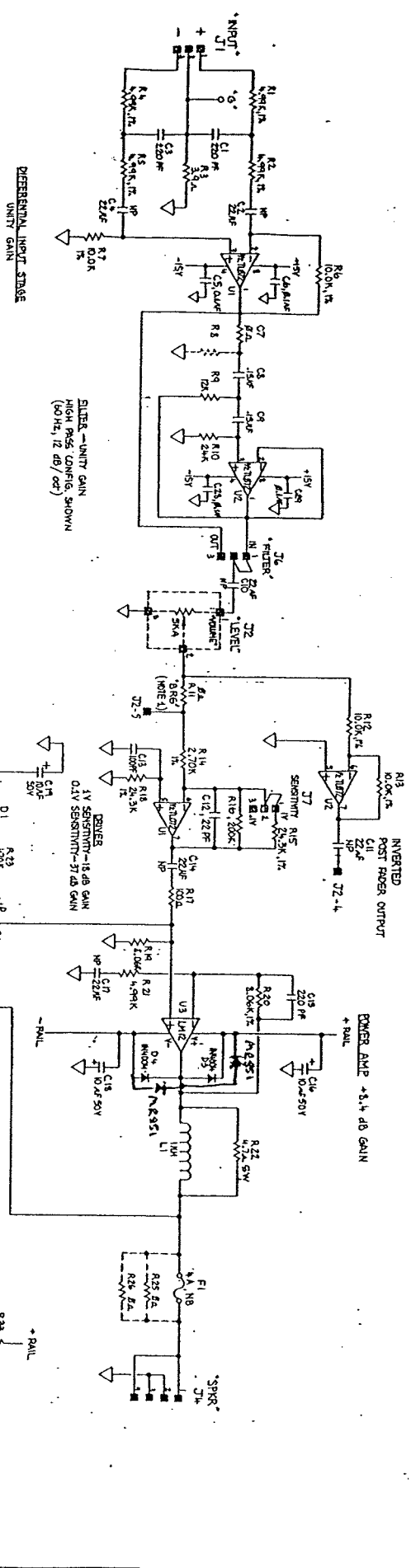


**D60
&
CPA 130
Schematic**

B I A M P[®]
S Y S T E M S

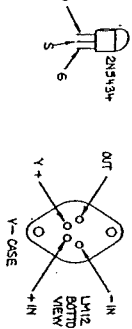
10074 SW Arctic Drive Beaverton, OR 97005 503-641-7287

NOTES:
 1. ALL RESISTORS ARE 1% TOLERANCE UNLESS OTHERWISE SPECIFIED.
 2. ALL CAPACITORS ARE POLYESTER UNLESS OTHERWISE SPECIFIED.
 3. ALL DIODES ARE 1N4148 UNLESS OTHERWISE SPECIFIED.
 4. ALL TRANSISTORS ARE 2N3904 UNLESS OTHERWISE SPECIFIED.
 5. ALL TRANSISTORS ARE 2N3906 UNLESS OTHERWISE SPECIFIED.
 6. ALL TRANSISTORS ARE 2N3906 UNLESS OTHERWISE SPECIFIED.
 7. ALL TRANSISTORS ARE 2N3906 UNLESS OTHERWISE SPECIFIED.
 8. ALL TRANSISTORS ARE 2N3906 UNLESS OTHERWISE SPECIFIED.
 9. ALL TRANSISTORS ARE 2N3906 UNLESS OTHERWISE SPECIFIED.
 10. ALL TRANSISTORS ARE 2N3906 UNLESS OTHERWISE SPECIFIED.



NOTE 1. RESISTOR R11 NOT INSTALLED ON UNITS WHICH SUPPORT MONO-BRIDGE OPERATION.

- LAST
- R 10
- C 31
- D 9
- T 7
- L 1



REV.	DATE	BY	CHKD.	DESCRIPTION
1	8-25-88
2	10-10-88
3	11-15-88
4	12-15-88

Blampkin
 BLAMP SYSTEMS, INC.
 4000 W. 10TH AVE.
 DENVER, CO 80202
 TEL: 303-751-1111
 FAX: 303-751-1112

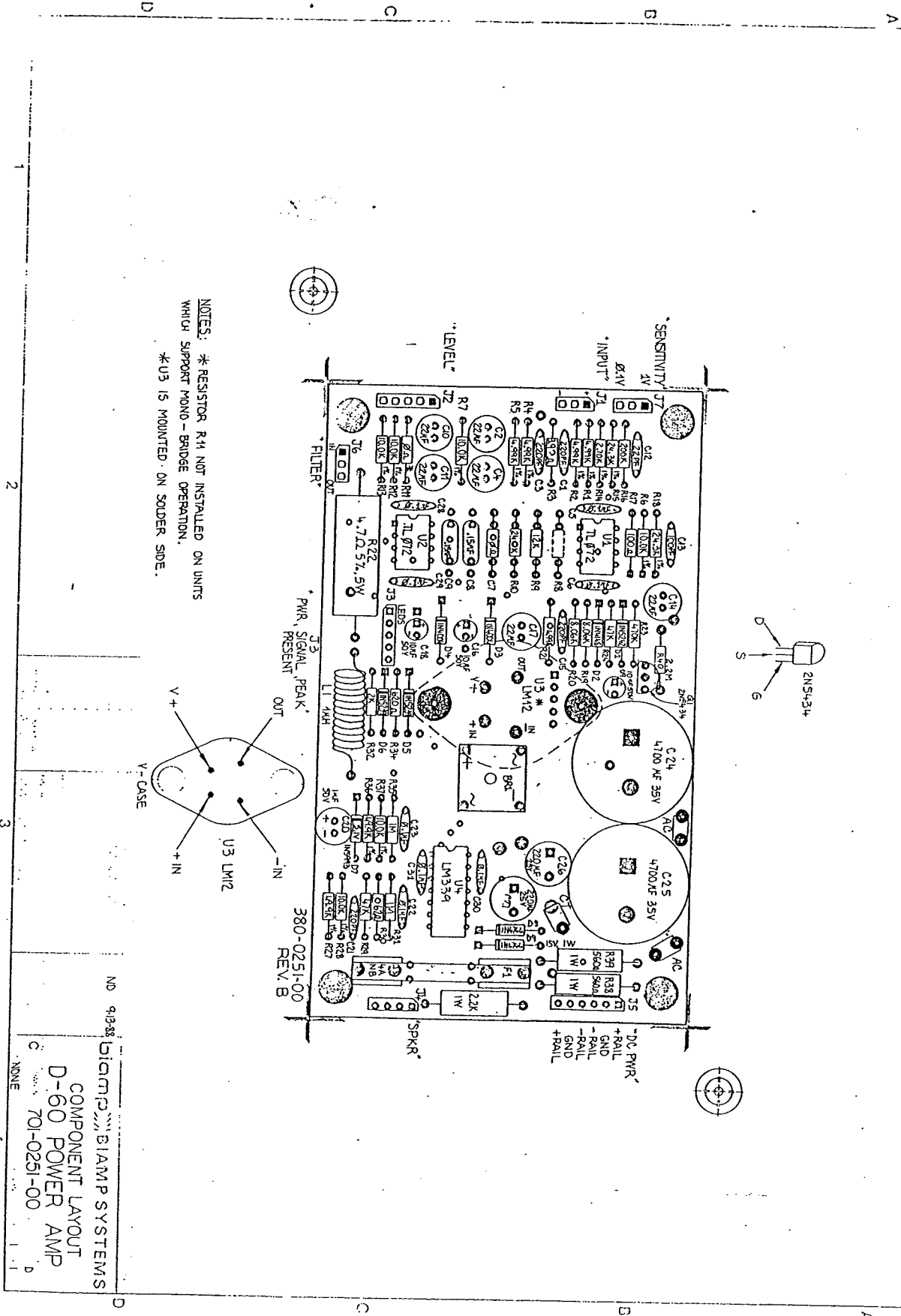
060 POWER AMPLIFIER
 SCHEMATIC
 700-0251-00

A B C D E F G H

REV.	DATE	BY	CHKD.	DESCRIPTION
1	8-25-88
2	10-10-88
3	11-15-88
4	12-15-88



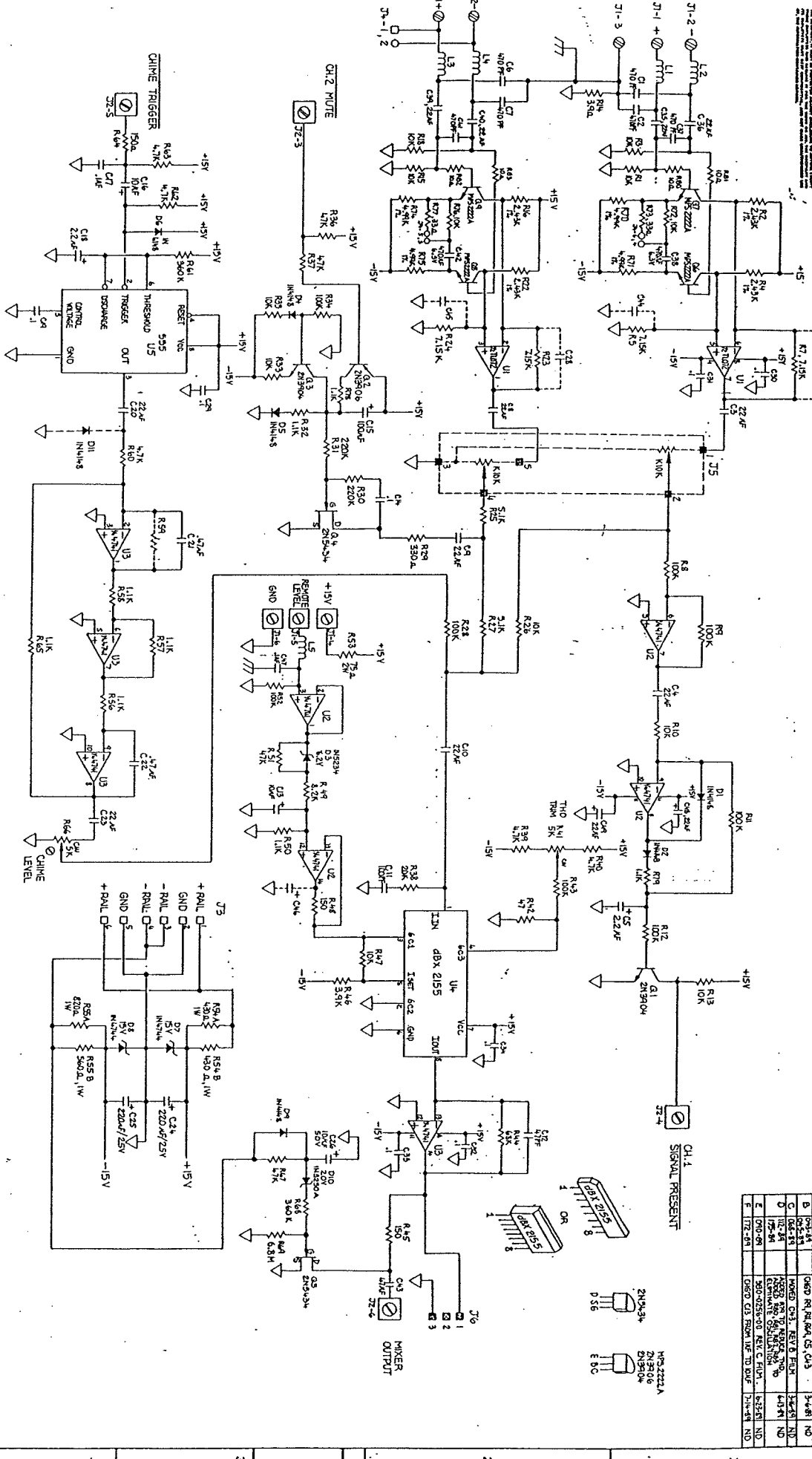
A	315-88	REV A FILM: ALSO ADDED R10	10-19-88	ND
B	365-89	REMOVED HEATSINK FROM BR1	3-7-89	ND
C	073-89	380-0251-00 REV B FILM	3-17-89	ND
D	014-90	CHGD. SPRKR FUSE TO 1.4A	1-17-90	ND



NOTES: * RESISTOR R14 NOT INSTALLED ON UNITS WHICH SUPPORT MONO-BRIDGE OPERATION.
* U3 IS MOUNTED ON SOLDER SIDE.

NO 41338 BIACTIC BIAAMP SYSTEMS
COMPONENT LAYOUT
D-60 POWER AMP
701-0251-00
NONE

THIS SCHEMATIC IS THE PROPERTY OF BIALPAC SYSTEMS, INC. IT IS TO BE USED ONLY FOR THE EQUIPMENT SPECIFICALLY IDENTIFIED HEREON. IT IS NOT TO BE REPRODUCED OR TRANSMITTED IN ANY FORM OR BY ANY MEANS, ELECTRONIC OR MECHANICAL, INCLUDING PHOTOCOPYING, RECORDING, OR BY ANY INFORMATION STORAGE AND RETRIEVAL SYSTEM, WITHOUT THE WRITTEN PERMISSION OF BIALPAC SYSTEMS, INC.



NO.	QTY	DESCRIPTION	NO.	QTY	DESCRIPTION
1	1	IC1 555	11	1	IC11 555
2	1	IC2 741	12	1	IC12 741
3	1	IC3 741	13	1	IC13 741
4	1	IC4 741	14	1	IC14 741
5	1	IC5 741	15	1	IC15 741
6	1	IC6 741	16	1	IC16 741
7	1	IC7 741	17	1	IC17 741
8	1	IC8 741	18	1	IC18 741
9	1	IC9 741	19	1	IC19 741
10	1	IC10 741	20	1	IC20 741
11	1	IC11 555	21	1	IC21 741
12	1	IC12 741	22	1	IC22 741
13	1	IC13 741	23	1	IC23 741
14	1	IC14 741	24	1	IC24 741
15	1	IC15 741	25	1	IC25 741
16	1	IC16 741	26	1	IC26 741
17	1	IC17 741	27	1	IC27 741
18	1	IC18 741	28	1	IC28 741
19	1	IC19 741	29	1	IC29 741
20	1	IC20 741	30	1	IC30 741
21	1	IC21 555	31	1	IC31 741
22	1	IC22 741	32	1	IC32 741
23	1	IC23 741	33	1	IC33 741
24	1	IC24 741	34	1	IC34 741
25	1	IC25 741	35	1	IC35 741
26	1	IC26 741	36	1	IC36 741
27	1	IC27 741	37	1	IC37 741
28	1	IC28 741	38	1	IC38 741
29	1	IC29 741	39	1	IC39 741
30	1	IC30 741	40	1	IC40 741
31	1	IC31 555	41	1	IC41 741
32	1	IC32 741	42	1	IC42 741
33	1	IC33 741	43	1	IC43 741
34	1	IC34 741	44	1	IC44 741
35	1	IC35 741	45	1	IC45 741
36	1	IC36 741	46	1	IC46 741
37	1	IC37 741	47	1	IC47 741
38	1	IC38 741	48	1	IC48 741
39	1	IC39 741	49	1	IC49 741
40	1	IC40 741	50	1	IC50 741
41	1	IC41 555	51	1	IC51 741
42	1	IC42 741	52	1	IC52 741
43	1	IC43 741	53	1	IC53 741
44	1	IC44 741	54	1	IC54 741
45	1	IC45 741	55	1	IC55 741
46	1	IC46 741	56	1	IC56 741
47	1	IC47 741	57	1	IC57 741
48	1	IC48 741	58	1	IC58 741
49	1	IC49 741	59	1	IC59 741
50	1	IC50 741	60	1	IC60 741
51	1	IC51 555	61	1	IC61 741
52	1	IC52 741	62	1	IC62 741
53	1	IC53 741	63	1	IC63 741
54	1	IC54 741	64	1	IC64 741
55	1	IC55 741	65	1	IC65 741
56	1	IC56 741	66	1	IC66 741
57	1	IC57 741	67	1	IC67 741
58	1	IC58 741	68	1	IC68 741
59	1	IC59 741	69	1	IC69 741
60	1	IC60 741	70	1	IC70 741
61	1	IC61 555	71	1	IC71 741
62	1	IC62 741	72	1	IC72 741
63	1	IC63 741	73	1	IC73 741
64	1	IC64 741	74	1	IC74 741
65	1	IC65 741	75	1	IC75 741
66	1	IC66 741	76	1	IC76 741
67	1	IC67 741	77	1	IC77 741
68	1	IC68 741	78	1	IC78 741
69	1	IC69 741	79	1	IC79 741
70	1	IC70 741	80	1	IC80 741
71	1	IC71 555	81	1	IC81 741
72	1	IC72 741	82	1	IC82 741
73	1	IC73 741	83	1	IC83 741
74	1	IC74 741	84	1	IC84 741
75	1	IC75 741	85	1	IC85 741
76	1	IC76 741	86	1	IC86 741
77	1	IC77 741	87	1	IC87 741
78	1	IC78 741	88	1	IC88 741
79	1	IC79 741	89	1	IC89 741
80	1	IC80 741	90	1	IC90 741
81	1	IC81 555	91	1	IC91 741
82	1	IC82 741	92	1	IC92 741
83	1	IC83 741	93	1	IC93 741
84	1	IC84 741	94	1	IC94 741
85	1	IC85 741	95	1	IC95 741
86	1	IC86 741	96	1	IC96 741
87	1	IC87 741	97	1	IC97 741
88	1	IC88 741	98	1	IC98 741
89	1	IC89 741	99	1	IC99 741
90	1	IC90 741	100	1	IC100 741

blampac SYSTEMS, INC. SCHEMATIC D-60 MIXER

700-0286-00

REV. 1

NO. 1

QTY. 1

DESCRIPTION

IC1 555

IC2 741

IC3 741

IC4 741

IC5 741

IC6 741

IC7 741

IC8 741

IC9 741

IC10 741

IC11 555

IC12 741

IC13 741

IC14 741

IC15 741

IC16 741

IC17 741

IC18 741

IC19 741

IC20 741

IC21 555

IC22 741

IC23 741

IC24 741

IC25 741

IC26 741

IC27 741

IC28 741

IC29 741

IC30 741

IC31 555

IC32 741

IC33 741

IC34 741

IC35 741

IC36 741

IC37 741

IC38 741

IC39 741

IC40 741

IC41 555

IC42 741

IC43 741

IC44 741

IC45 741

IC46 741

IC47 741

IC48 741

IC49 741

IC50 741

IC51 555

IC52 741

IC53 741

IC54 741

IC55 741

IC56 741

IC57 741

IC58 741

IC59 741

IC60 741

IC61 555

IC62 741

IC63 741

IC64 741

IC65 741

IC66 741

IC67 741

IC68 741

IC69 741

IC70 741

IC71 555

IC72 741

IC73 741

IC74 741

IC75 741

IC76 741

IC77 741

IC78 741

IC79 741

IC80 741

IC81 555

IC82 741

IC83 741

IC84 741

IC85 741

IC86 741

IC87 741

IC88 741

IC89 741

IC90 741

IC91 555

IC92 741

IC93 741

IC94 741

IC95 741

IC96 741

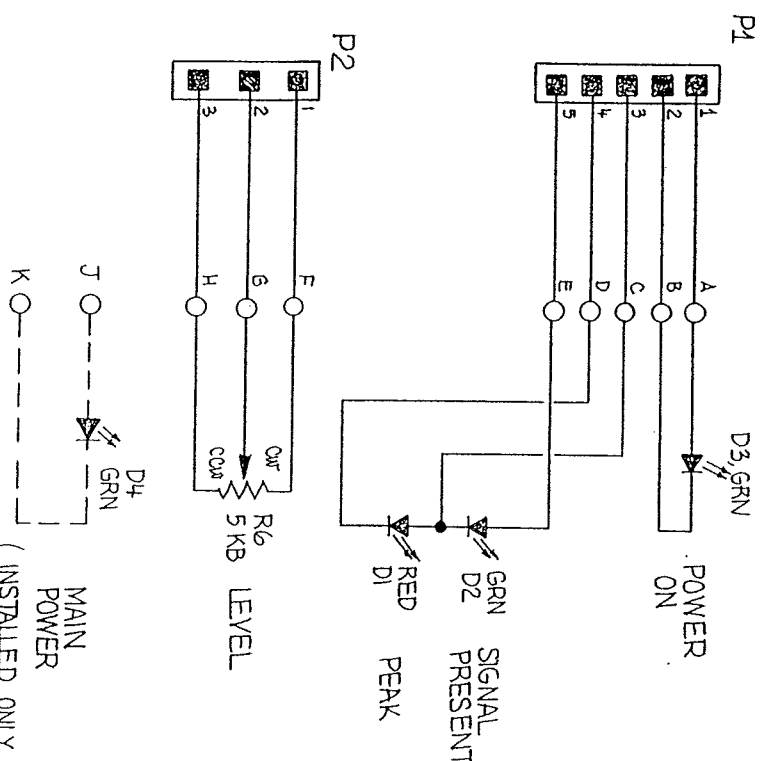
IC97 741

IC98 741

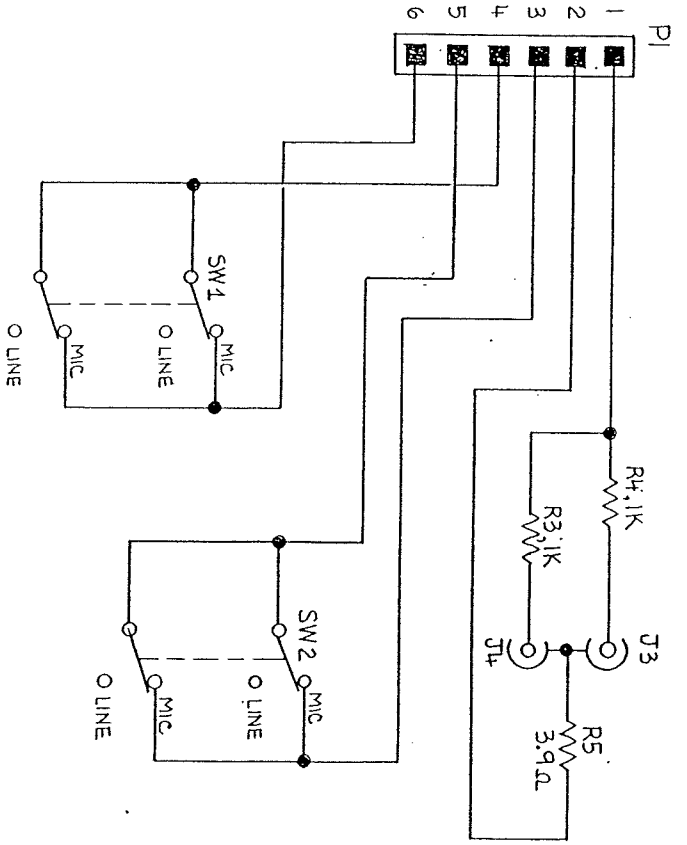
IC99 741

IC100 741

THIS DRAWING IS THE PROPERTY OF BIAMP SYSTEMS, AND MUST BE RETURNED TO THE DRAWING OFFICE ON REQUEST, WHILE IN THE POSSESSION OF THE RECIPIENT. IT MUST BE PROTECTED AGAINST UNAUTHORIZED USE BY THOSE EMPLOYEES WHO REQUIRE IT FOR THE WORK OR JOB THE INFORMATION CONTAINED HEREON.



(INSTALLED ONLY ON CHANNEL 4 OF 4 CHANNEL UNIT.)



700 - 0261 - 00
D-60M JACK SWITCH P.C.B.

700 - 0260 - 00
D60 LED POT P.C.B.

ITEM	PART NO.	DESCRIPTION	SIZE	QTY.
1	ND	700 - 0260 - 00 (D60 LED POT P.C.B.)	A	1
2	ND	700 - 0261 - 00 (D60M JACK SW P.C.B.)	A	1

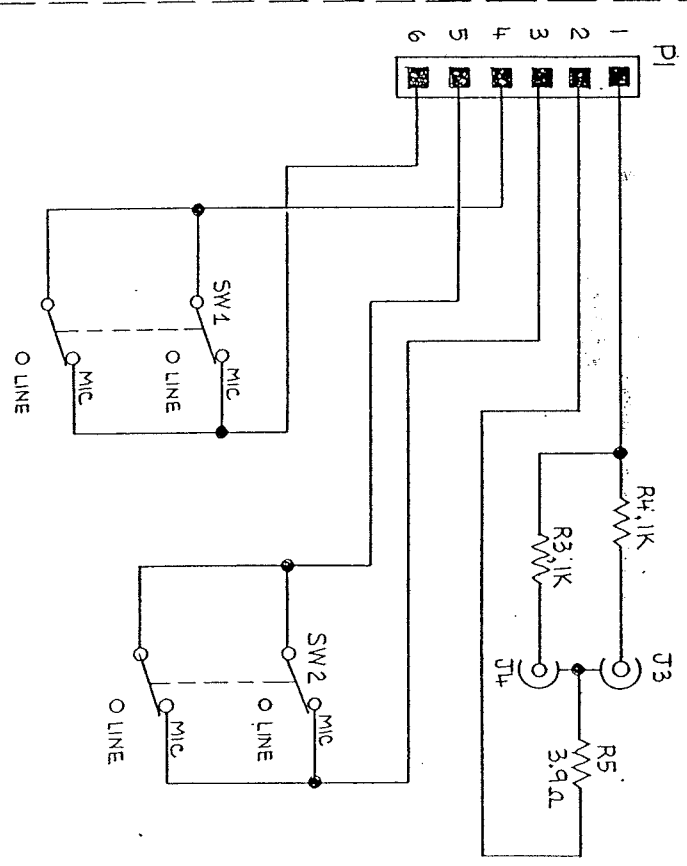
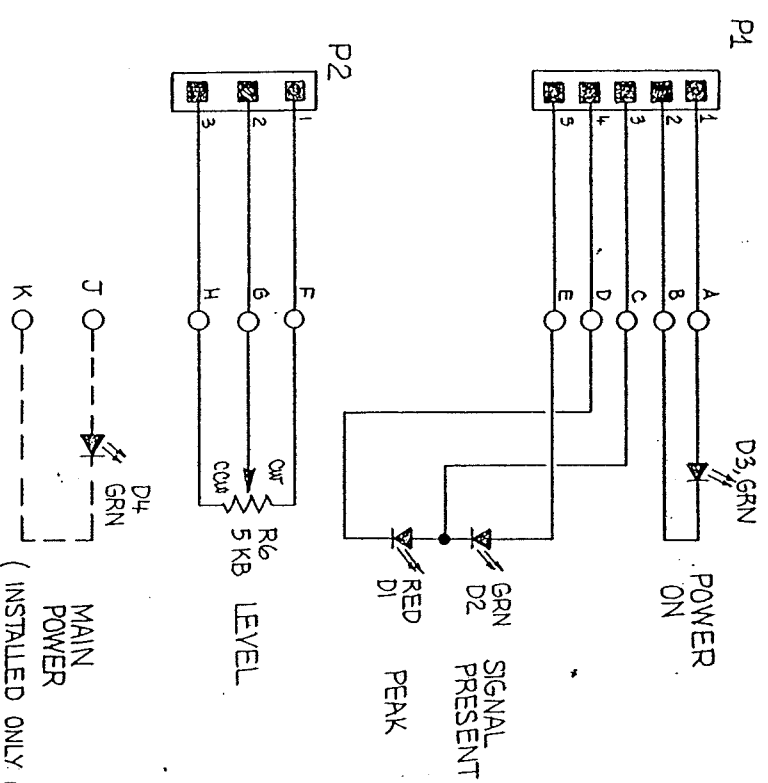
UNLESS OTHERWISE SPECIFIED, DIMENSIONS ARE IN INCHES. TOLERANCES ARE: DECIMALS FRACTIONS ANGLES MATERIAL FLATNESS	FINISH	APPROVED	SCALE	SHEET
.XXX ±	BREAK SQUARE CORERS .5" CHAMFER OR R.5. .10 MAX.	DESIGN	NONE	1 OF 1

MODEL	NEXT DWG.	APPLICATION

A B C D

REV.	E.C.O.	CHANGE	DATE	BY
A	044-89	JACK - SWITCH SCHEMATIC REDRAWN FOR ACCURACY.	3-17-89	ND

THIS DRAWING IS THE PROPERTY OF BIAMP SYSTEMS, AND MUST BE RETURNED WITHOUT DUPLICATING AT ANY TIME, ON REQUEST, WHILE IN THE POSSESSION OF THE RECIPIENT. THE RECIPIENT AGREES TO HOLD BIAMP SYSTEMS HARMLESS FROM AND TO INDEMNIFY BIAMP SYSTEMS FROM AND AGAINST ALL CLAIMS, DAMAGES, LOSSES AND EXPENSES, INCLUDING REASONABLE ATTORNEY'S FEES, THAT MAY BE ASSERTED AGAINST BIAMP SYSTEMS OR ITS EMPLOYEES MUST KEEP CONFIDENTIAL, AND NOT MAKE UNAUTHORIZED USE OF THE INFORMATION CONTAINED HEREON.



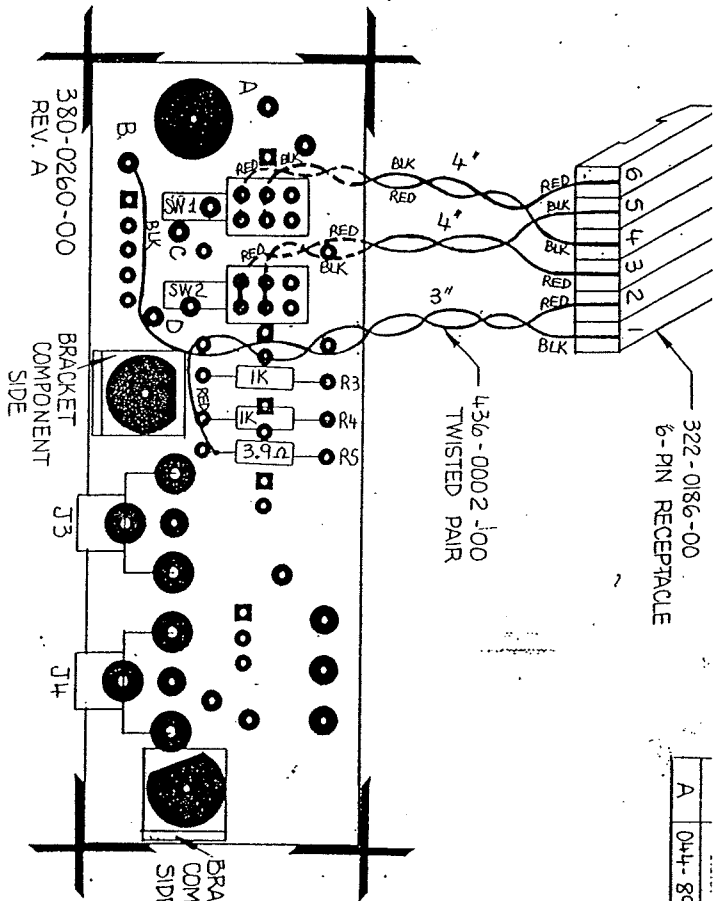
700 - 0260-00
D60 LED POT P.C.B.

ITEM	PART NO.	DESCRIPTION	SIZE	QTY.
		700 - 0261 - 00		
		D-60M JACK SWITCH P.C.B.		
<p>UNLESS OTHERWISE SPECIFIED, DIMENSIONS ARE IN INCHES. TOLERANCES ARE: DECIMALS FRACTIONS ANGLES MATERIAL FLATNESS</p> <p>.XX ± .XXX ±</p>				
<p>FINISH BREAK SHARP EDGES 1ST CHAMFER OR RADIUS .010 MAX.</p>				
<p>SCHEMATIC DIAGRAM PCB, D-60 LED, POT & D-60M JACK, SW.</p>				
<p>700 - 0260 - 00 (D60 L.P.C.) REV. A</p>				
<p>DWG. NO. 700 - 0261 - 00 (D6M J.S.W.)</p>				
<p>SCALE NONE DO NOT SCALE DRAWING SHEET 1 OF 1</p>				

A B C D

A	044-89	TRACK-SWITCH SCHEMATIC REDRAWN FOR ACCURACY	3-17-89	ND
---	--------	---	---------	----

THIS DRAWING IS THE PROPERTY OF BIAMP SYSTEMS, AND MUST BE RETURNED WITHOUT DUPLICATING AT ANY TIME, ON REQUEST, WHILE IN THE POSSESSION OF THE RECIPIENT. IT MUST BE PROTECTED AGAINST DISCLOSURE TO ANYONE EXCEPT THE RECIPIENT. REPAIRS OR MODIFICATIONS TO THE WORK OR JOB THE RECIPIENT AND ITS EMPLOYEES SHALL BE DONE AT THE RECIPIENT'S RISK, AND NOT BE UNAUTHORIZED USE OF THE INFORMATION CONTAINED HEREON.



TITLE PART NO. ND 91788		DESCRIPTION SHEET 1 OF 1	
DIMENSIONS ALL DIMENSIONS UNLESS OTHERWISE SPECIFIED ARE IN INCHES. FRACTIONS SHALL BE IN 16THS OF AN INCH. DECIMALS SHALL BE TO TWO DECIMAL PLACES.		BIAMP SYSTEMS 60M JACK, SWITCH PCB ASSY. COMPONENT DIAG.	
DATE: 11/1/88 BY: [Signature]		DWG NO: 701-0261-00 DO NOT SCALE DRAWING	
APPROVED: [Signature] APPLICATION:		SHEET 1 OF 1	

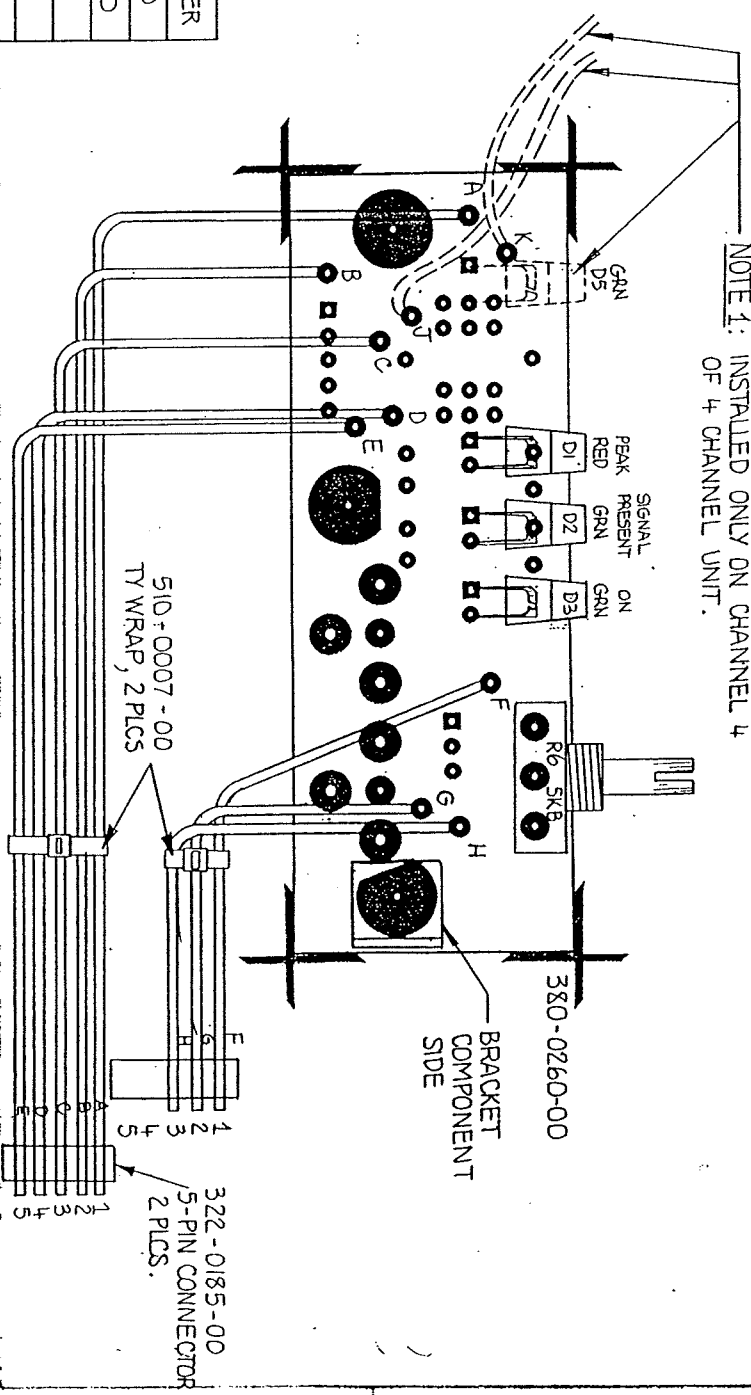
A	044-89	REDRAWN FOR ACCURACY	3-17-89	ND
---	--------	----------------------	---------	----

A B C D

THIS DRAWING IS THE PROPERTY OF BIAAMP SYSTEMS, AND MUST BE RETURNED WITHOUT DUPLICATING AT ANY TIME, ON REQUEST, WHILE IN THE POSSESSION OF THE REPERENT. IT MUST BE PROTECTED AGAINST DISCLOSURE TO ANYONE EXCEPT THE PERSON TO WHOM IT IS LOANED. THE INFORMATION CONTAINED HEREIN AND THE DRAWINGS MUST BE KEPT CONFIDENTIAL, AND NOT MADE UNAUTHORIZED USE OF THE INFORMATION CONTAINED HEREON.

REV	ECO	CHANGE	DATE	BY
A	329-88	CHG'D WIRES FROM 7" TO 7.5"	11-3-88	ND

NOTE 1: INSTALLED ONLY ON CHANNEL 4 OF 4 CHANNEL UNIT.



WIRE	GAUGE	COLOR	LENGTH	PART NUMBER
A	22	RED	6"	425.0071.00
B	22	WHT	6"	425.0033.00
C	22	WHT	6"	
D	22	WHT	6"	
E	22	WHT	6"	
F	22	BLK	7.5"	425.0076.00
G	22	ORANGE	7.5"	425.0025.00
H	22	ORANGE	7.5"	425.0025.00

ND 9-9-88

BIAMP SYSTEMS

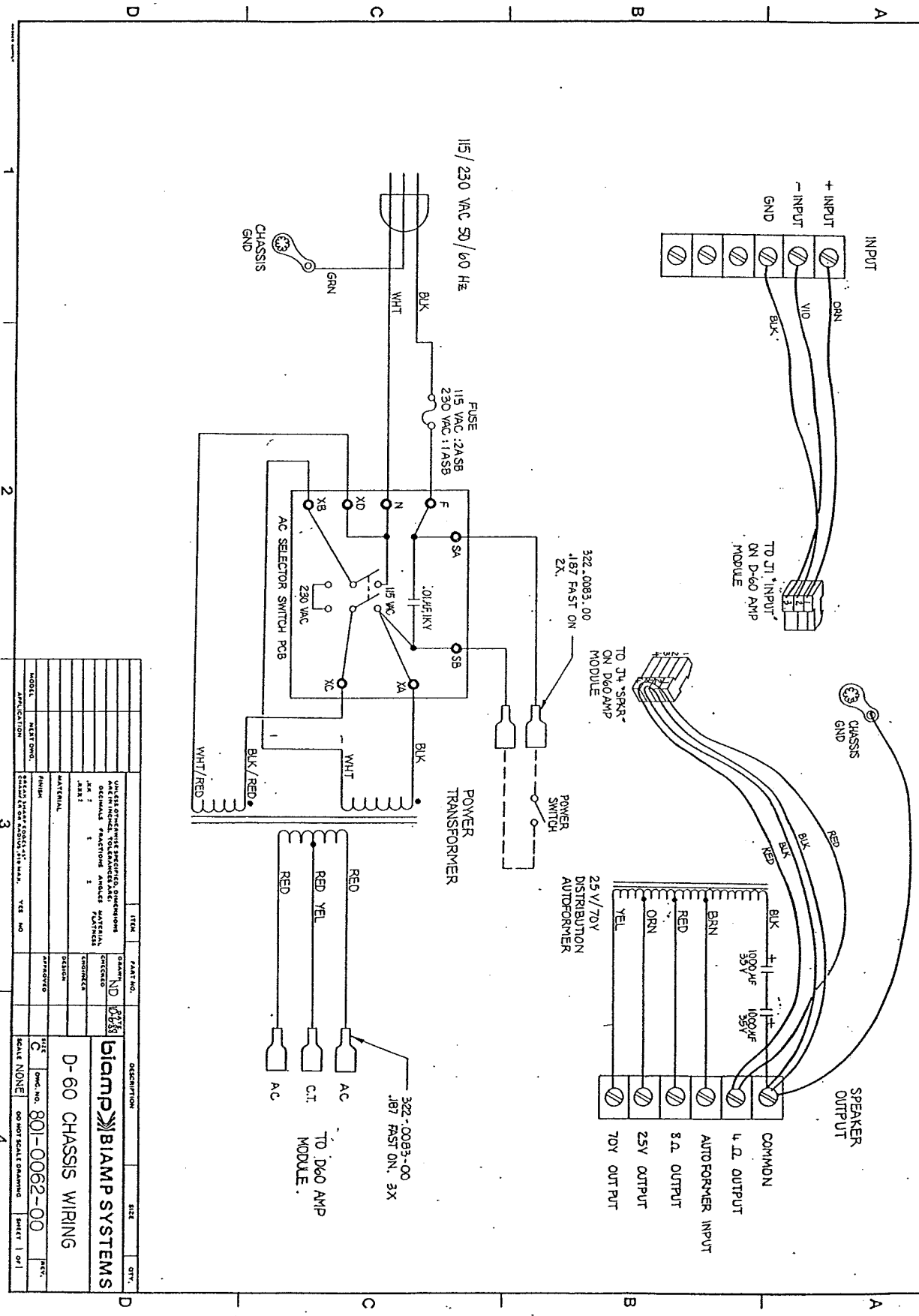
D-60 LED, POT PCB ASSY
COMPONENT LAYOUT DIAG.

701-0260-00

2X

A B C D

This drawing is the property of BIAAMP SYSTEMS, and shall be returned to the originator if not returned to BIAAMP SYSTEMS. It shall not be reproduced, stored in a retrieval system, or transmitted in any form or by any means, electronic, mechanical, photocopying, recording, or by any information storage and retrieval system, without the prior written permission of BIAAMP SYSTEMS.



ITEM	PART NO.	DESCRIPTION	SIZE	QTY.
1	ND	UNLESS OTHERWISE SPECIFIED, DIMENSIONS SHALL BE IN INCHES. DIMENSIONS IN PARENTHESES ARE FOR INFORMATION ONLY. MATERIALS ARE AS SHOWN UNLESS OTHERWISE SPECIFIED.		
2	ND	CONNECTIONS TO BE MADE BY THE USER.		
3	ND	CONNECTIONS TO BE MADE BY THE USER.		
4	ND	CONNECTIONS TO BE MADE BY THE USER.		
BIAMP SYSTEMS				
D-60 CHASSIS WIRING				
MODEL	NET DWG.	DATE	SCALE	SHEET
			801-0062-00	1 of 1

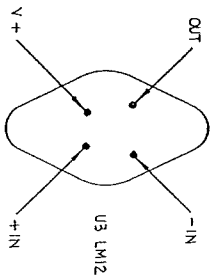
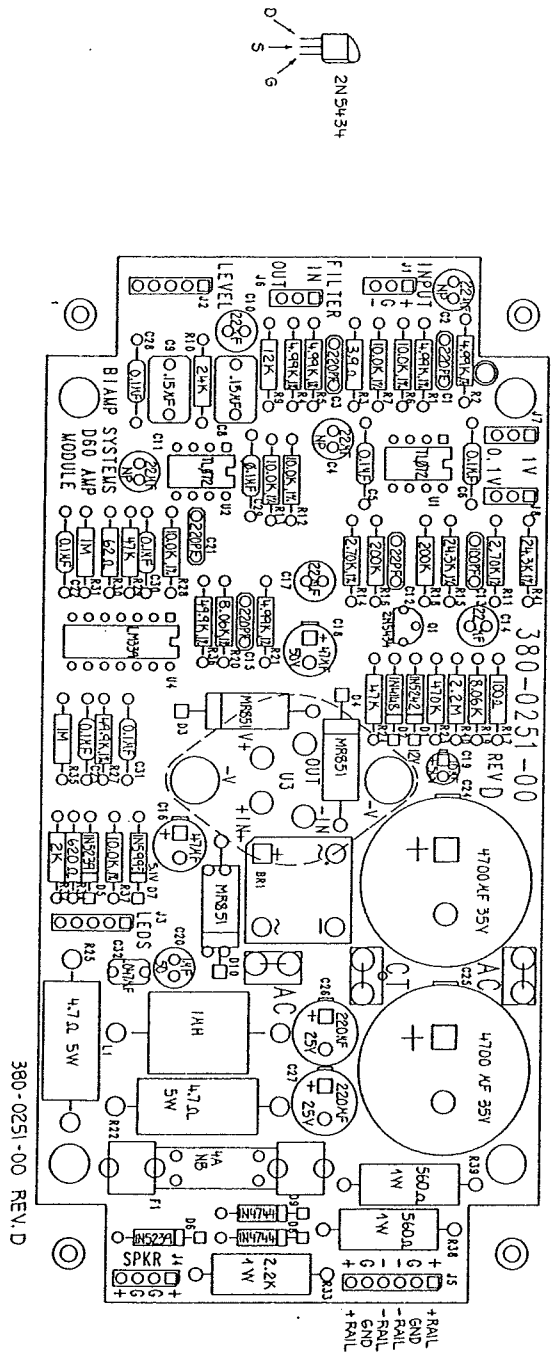
The drawings in this project of BIAMP SYSTEMS, and shall be returned to the originator of the drawing. No part of this drawing shall be reproduced or transmitted in any form or by any means, electronic, mechanical, photocopying, recording, or by any information storage and retrieval system, without the prior written permission of BIAMP SYSTEMS. The work on this drawing and the reproduction thereof shall be the property of BIAMP SYSTEMS.

BIAMP SYSTEMS
 10074 SW ARCTIC DRIVE
 BEAVERTON, OR 97005

BIAMP SYSTEMS
 (503) 641-7287

380-0251-00 REV D
 D60 AMPLIFIER PCB
 Sheet 1 of 5 : Silkscreen

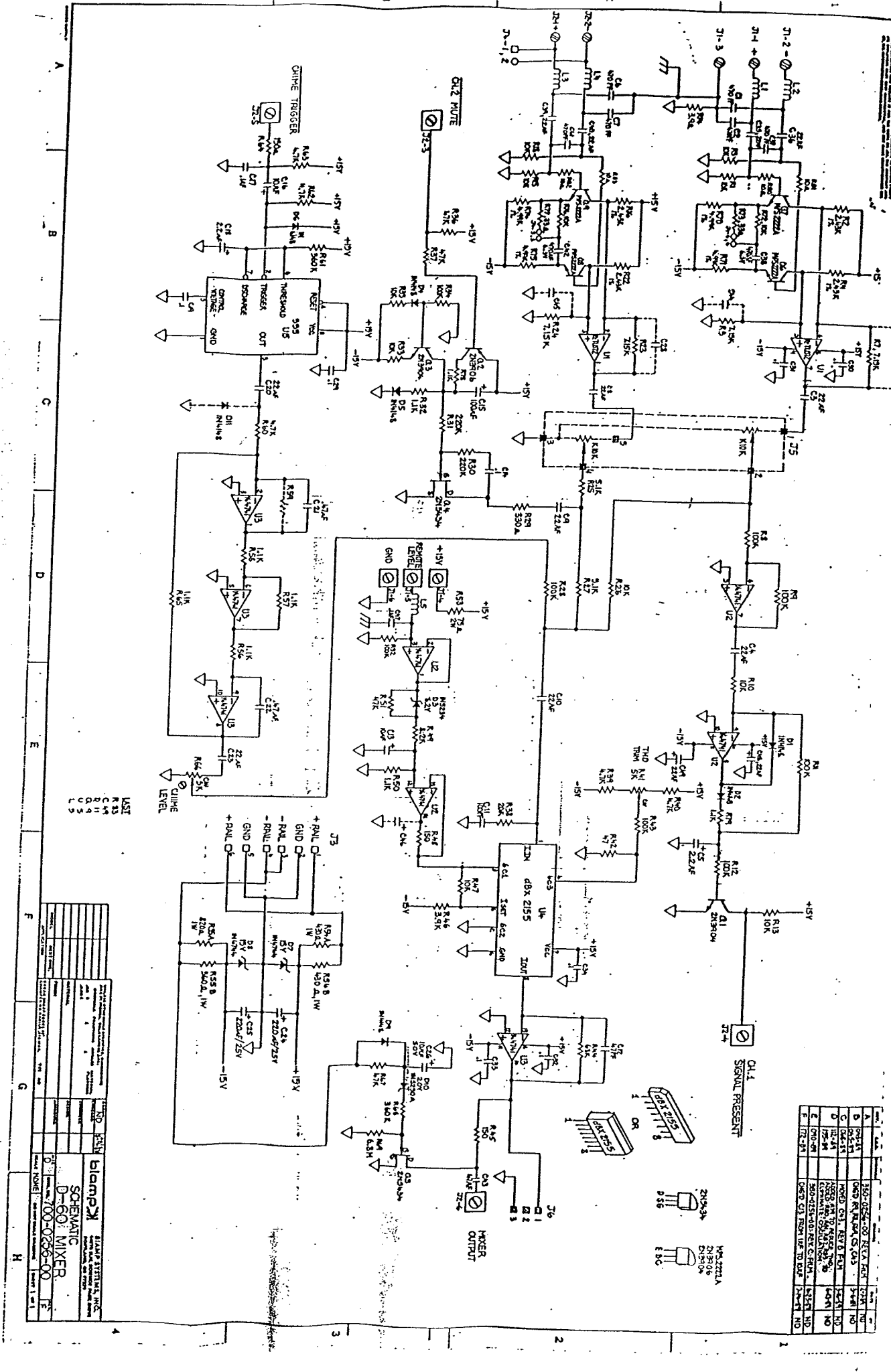
063-91 380-0251-00 REV.D PCB 5-2-91 ND



NOTES:
 * RESISTOR R14 NOT INSTALLED ON UNITS WHICH SUPPORT MONO-BRIDGE OPERATION.
 * U3 IS MOUNTED ON SOLDER SIDE.

ITEM	PART NO.	DESCRIPTION	QTY.
1	380-0251-00	BIAMP SYSTEMS	1
2	380-0251-00	BIAMP SYSTEMS	1
3	380-0251-00	BIAMP SYSTEMS	1
4	380-0251-00	BIAMP SYSTEMS	1

1 2 3 4



LIST
 R13
 R14
 R15
 R16
 R17
 R18
 R19
 R20
 R21
 R22
 R23
 R24
 R25
 R26
 R27
 R28
 R29
 R30
 R31
 R32
 R33
 R34
 R35
 R36
 R37
 R38
 R39
 R40
 R41
 R42
 R43
 R44
 R45
 R46
 R47
 R48
 R49
 R50
 R51
 R52
 R53
 R54
 R55
 R56
 R57
 R58
 R59
 R60
 R61
 R62
 R63
 R64
 R65
 R66
 R67
 R68
 R69
 R70
 R71
 R72
 R73
 R74
 R75
 R76
 R77
 R78
 R79
 R80
 R81
 R82
 R83
 R84
 R85
 R86
 R87
 R88
 R89
 R90
 R91
 R92
 R93
 R94
 R95
 R96
 R97
 R98
 R99
 R100

NO.	DESCRIPTION	QTY.	REMARKS
1
2
3
4
5
6
7
8
9
10

Blaupunkt
 SCHEMATIC
 D-60 MIXER
 PART NO. 100-0286-00
 DATE: 1-1-61

NO.	DESCRIPTION	QTY.	REMARKS
1
2
3
4
5
6
7
8
9
10

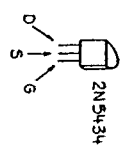
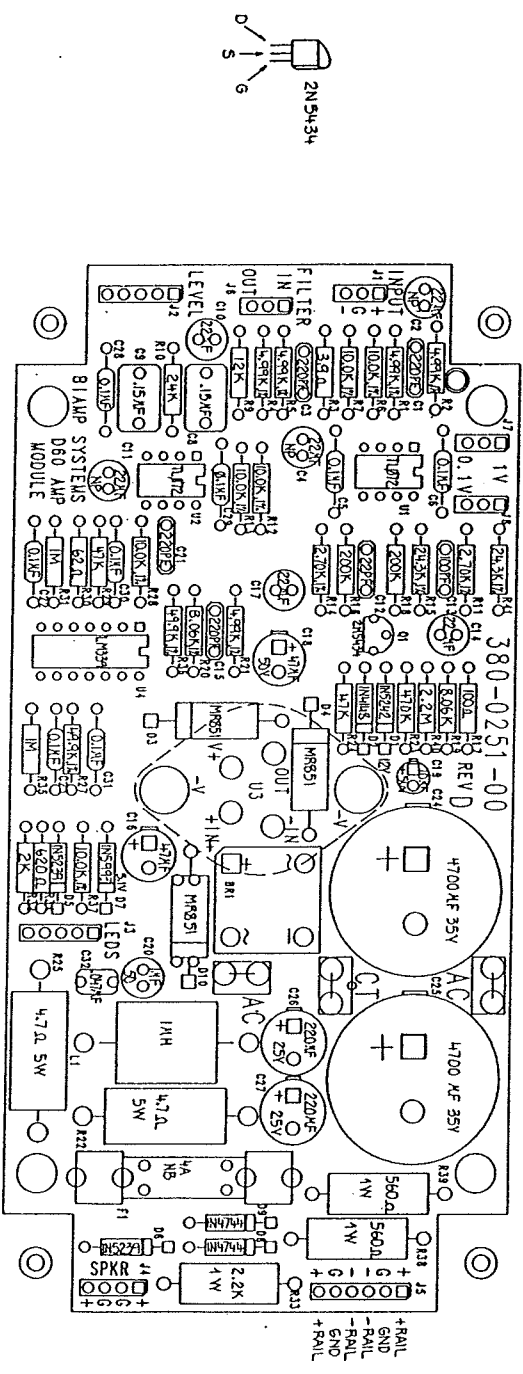
THIS DRAWING IS THE PROPERTY OF BIAMP SYSTEMS, INC. IT IS TO BE USED ONLY FOR THE MANUFACTURE OF THE PRODUCT SPECIFICALLY IDENTIFIED HEREON. IT IS NOT TO BE REPRODUCED, COPIED, OR TRANSMITTED IN ANY FORM OR BY ANY MEANS, ELECTRONIC OR MECHANICAL, INCLUDING PHOTOCOPYING, RECORDING, OR BY ANY INFORMATION STORAGE AND RETRIEVAL SYSTEM, WITHOUT THE WRITTEN PERMISSION OF BIAMP SYSTEMS, INC.

BIAMP SYSTEMS
 10074 SW ARCTIC DRIVE
 BEAVERTON, OR 97005

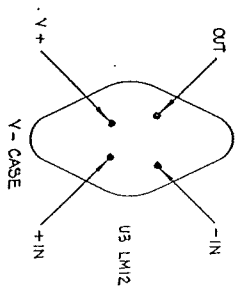
BIAMP SYSTEMS
 (503) 641-7287

380-0251-00 REV D
 D60 AMPLIFIER PCB
 Sheet 1 of 5 : Silkscreen

REV.	EDA	CHANGE	DATE	BY
F	06-3-91	380-0251-00 REV. D PCB	5/2/91	ND



NOTES:
 * RESISTOR R4 NOT INSTALLED ON UNITS WHICH SUPPORT MONO-BRIDGE OPERATION.
 * U3 IS MOUNTED ON SOLDER SIDE.



ITEM	PART NO.	DESCRIPTION	SIZE	QTY.
1	2N5434	DIODE		
2	4700 uF 35V	ALUMINUM ELECTROLYTIC CAPACITOR		
3	1A 5W	POWER RESISTOR		
4	U3	LM12		

ITEM	PART NO.	DESCRIPTION	SIZE	QTY.
1	2N5434	DIODE		
2	4700 uF 35V	ALUMINUM ELECTROLYTIC CAPACITOR		
3	1A 5W	POWER RESISTOR		
4	U3	LM12		

ITEM	PART NO.	DESCRIPTION	SIZE	QTY.
1	2N5434	DIODE		
2	4700 uF 35V	ALUMINUM ELECTROLYTIC CAPACITOR		
3	1A 5W	POWER RESISTOR		
4	U3	LM12		

ITEM	PART NO.	DESCRIPTION	SIZE	QTY.
1	2N5434	DIODE		
2	4700 uF 35V	ALUMINUM ELECTROLYTIC CAPACITOR		
3	1A 5W	POWER RESISTOR		
4	U3	LM12		

ITEM	PART NO.	DESCRIPTION	SIZE	QTY.
1	2N5434	DIODE		
2	4700 uF 35V	ALUMINUM ELECTROLYTIC CAPACITOR		
3	1A 5W	POWER RESISTOR		
4	U3	LM12		

ITEM	PART NO.	DESCRIPTION	SIZE	QTY.
1	2N5434	DIODE		
2	4700 uF 35V	ALUMINUM ELECTROLYTIC CAPACITOR		
3	1A 5W	POWER RESISTOR		
4	U3	LM12		

ITEM	PART NO.	DESCRIPTION	SIZE	QTY.
1	2N5434	DIODE		
2	4700 uF 35V	ALUMINUM ELECTROLYTIC CAPACITOR		
3	1A 5W	POWER RESISTOR		
4	U3	LM12		

ITEM	PART NO.	DESCRIPTION	SIZE	QTY.
1	2N5434	DIODE		
2	4700 uF 35V	ALUMINUM ELECTROLYTIC CAPACITOR		
3	1A 5W	POWER RESISTOR		
4	U3	LM12		

ITEM	PART NO.	DESCRIPTION	SIZE	QTY.
1	2N5434	DIODE		
2	4700 uF 35V	ALUMINUM ELECTROLYTIC CAPACITOR		
3	1A 5W	POWER RESISTOR		
4	U3	LM12		

ITEM	PART NO.	DESCRIPTION	SIZE	QTY.
1	2N5434	DIODE		
2	4700 uF 35V	ALUMINUM ELECTROLYTIC CAPACITOR		
3	1A 5W	POWER RESISTOR		
4	U3	LM12		

ITEM	PART NO.	DESCRIPTION	SIZE	QTY.
1	2N5434	DIODE		
2	4700 uF 35V	ALUMINUM ELECTROLYTIC CAPACITOR		
3	1A 5W	POWER RESISTOR		
4	U3	LM12		

ITEM	PART NO.	DESCRIPTION	SIZE	QTY.
1	2N5434	DIODE		
2	4700 uF 35V	ALUMINUM ELECTROLYTIC CAPACITOR		
3	1A 5W	POWER RESISTOR		
4	U3	LM12		

ITEM	PART NO.	DESCRIPTION	SIZE	QTY.
1	2N5434	DIODE		
2	4700 uF 35V	ALUMINUM ELECTROLYTIC CAPACITOR		
3	1A 5W	POWER RESISTOR		
4	U3	LM12		

ITEM	PART NO.	DESCRIPTION	SIZE	QTY.
1	2N5434	DIODE		
2	4700 uF 35V	ALUMINUM ELECTROLYTIC CAPACITOR		
3	1A 5W	POWER RESISTOR		
4	U3	LM12		

ITEM	PART NO.	DESCRIPTION	SIZE	QTY.
1	2N5434	DIODE		
2	4700 uF 35V	ALUMINUM ELECTROLYTIC CAPACITOR		
3	1A 5W	POWER RESISTOR		
4	U3	LM12		

ITEM	PART NO.	DESCRIPTION	SIZE	QTY.
1	2N5434	DIODE		
2	4700 uF 35V	ALUMINUM ELECTROLYTIC CAPACITOR		
3	1A 5W	POWER RESISTOR		
4	U3	LM12		

ITEM	PART NO.	DESCRIPTION	SIZE	QTY.
1	2N5434	DIODE		
2	4700 uF 35V	ALUMINUM ELECTROLYTIC CAPACITOR		
3	1A 5W	POWER RESISTOR		
4	U3	LM12		

ITEM	PART NO.	DESCRIPTION	SIZE	QTY.
1	2N5434	DIODE		
2	4700 uF 35V	ALUMINUM ELECTROLYTIC CAPACITOR		
3	1A 5W	POWER RESISTOR		
4	U3	LM12		

ITEM	PART NO.	DESCRIPTION	SIZE	QTY.
1	2N5434	DIODE		
2	4700 uF 35V	ALUMINUM ELECTROLYTIC CAPACITOR		
3	1A 5W	POWER RESISTOR		
4	U3	LM12		

ITEM	PART NO.	DESCRIPTION	SIZE	QTY.
1	2N5434	DIODE		
2	4700 uF 35V	ALUMINUM ELECTROLYTIC CAPACITOR		
3	1A 5W	POWER RESISTOR		
4	U3	LM12		

ITEM	PART NO.	DESCRIPTION	SIZE	QTY.
1	2N5434	DIODE		
2	4700 uF 35V	ALUMINUM ELECTROLYTIC CAPACITOR		
3	1A 5W	POWER RESISTOR		
4	U3	LM12		

ITEM	PART NO.	DESCRIPTION	SIZE	QTY.
1	2N5434	DIODE		
2	4700 uF 35V	ALUMINUM ELECTROLYTIC CAPACITOR		
3	1A 5W	POWER RESISTOR		
4	U3	LM12		

ITEM	PART NO.	DESCRIPTION	SIZE	QTY.
1	2N5434	DIODE		
2	4700 uF 35V	ALUMINUM ELECTROLYTIC CAPACITOR		
3	1A 5W	POWER RESISTOR		
4	U3	LM12		

ITEM	PART NO.	DESCRIPTION	SIZE	QTY.
1	2N5434	DIODE		
2	4700 uF 35V	ALUMINUM ELECTROLYTIC CAPACITOR		
3	1A 5W	POWER RESISTOR		
4	U3	LM12		

ITEM	PART NO.	DESCRIPTION	SIZE	QTY.
1	2N5434	DIODE		
2	4700 uF 35V	ALUMINUM ELECTROLYTIC CAPACITOR		
3	1A 5W	POWER RESISTOR		
4	U3	LM12		

ITEM	PART NO.	DESCRIPTION	SIZE	QTY.
1	2N5434	DIODE		
2	4700 uF 35V	ALUMINUM ELECTROLYTIC CAPACITOR		
3	1A 5W	POWER RESISTOR		
4	U3	LM12		

ITEM	PART NO.	DESCRIPTION	SIZE	QTY.
1	2N5434	DIODE		
2	4700 uF 35V	ALUMINUM ELECTROLYTIC CAPACITOR		
3	1A 5W	POWER RESISTOR		
4	U3	LM12		

ITEM	PART NO.	DESCRIPTION	SIZE	QTY.
1	2N5434	DIODE		
2	4700 uF 35V	ALUMINUM ELECTROLYTIC CAPACITOR		
3	1A 5W	POWER RESISTOR		
4	U3	LM12		

ITEM	PART NO.	DESCRIPTION	SIZE	QTY.
1	2N5434	DIODE		
2	4700 uF 35V	ALUMINUM ELECTROLYTIC CAPACITOR		
3	1A 5W	POWER RESISTOR		
4	U3	LM12		

ITEM	PART NO.	DESCRIPTION	SIZE	QTY.
1	2N5434	DIODE		
2	4700 uF 35V	ALUMINUM ELECTROLYTIC CAPACITOR		
3	1A 5W	POWER RESISTOR		
4	U3	LM12		

ITEM	PART NO.	DESCRIPTION	SIZE	QTY.
1	2N5434	DIODE		
2	4700 uF 35V	ALUMINUM ELECTROLYTIC CAPACITOR		
3	1A 5W	POWER RESISTOR		
4	U3	LM12		

ITEM	PART NO.	DESCRIPTION	SIZE	QTY.
1	2N5434	DIODE		
2	4700 uF 35V	ALUMINUM ELECTROLYTIC CAPACITOR		
3	1A 5W	POWER RESISTOR		
4	U3	LM12		

ITEM	PART NO.	DESCRIPTION	SIZE	QTY.
1	2N5434	DIODE		
2	4700 uF 35V	ALUMINUM ELECTROLYTIC CAPACITOR		
3	1A 5W	POWER RESISTOR		
4	U3	LM12		

ITEM	PART NO.	DESCRIPTION	SIZE	QTY.
1	2N5434	DIODE		
2	4700 uF 35V	ALUMINUM ELECTROLYTIC CAPACITOR		
3	1A 5W	POWER RESISTOR		
4	U3	LM12		

ITEM	PART NO.	DESCRIPTION	SIZE	QTY.
1	2N5434	DIODE		
2	4700 uF 35V	ALUMINUM ELECTROLYTIC CAPACITOR		
3	1A 5W	POWER RESISTOR		
4	U3	LM12		

ITEM	PART NO.	DESCRIPTION	SIZE	QTY.
1	2N5434	DIODE		
2	4700 uF 35V	ALUMINUM ELECTROLYTIC CAPACITOR		
3	1A 5W	POWER RESISTOR		
4	U3	LM12		

ITEM	PART NO.	DESCRIPTION	SIZE	QTY.
1	2N5434	DIODE		
2	4700 uF 35V	ALUMINUM ELECTROLYTIC CAPACITOR		
3	1A 5W	POWER RESISTOR		
4	U3	LM12		

ITEM	PART NO.	DESCRIPTION	SIZE	QTY.
1	2N5434	DIODE		
2	4700 uF 35V	ALUMINUM ELECTROLYTIC CAPACITOR		
3	1A 5W	POWER RESISTOR		
4	U3	LM12		

ITEM	PART NO.	DESCRIPTION	SIZE	QTY.
1	2N5434	DIODE		
2	4700 uF 35V	ALUMINUM ELECTROLYTIC CAPACITOR		
3	1A 5W	POWER RESISTOR		
4	U3	LM12		

ITEM	PART NO.	DESCRIPTION	SIZE	QTY.
1	2N5434	DIODE		
2	4700 uF 35V	ALUMINUM ELECTROLYTIC CAPACITOR		
3	1A 5W	POWER RESISTOR		
4	U3	LM12		