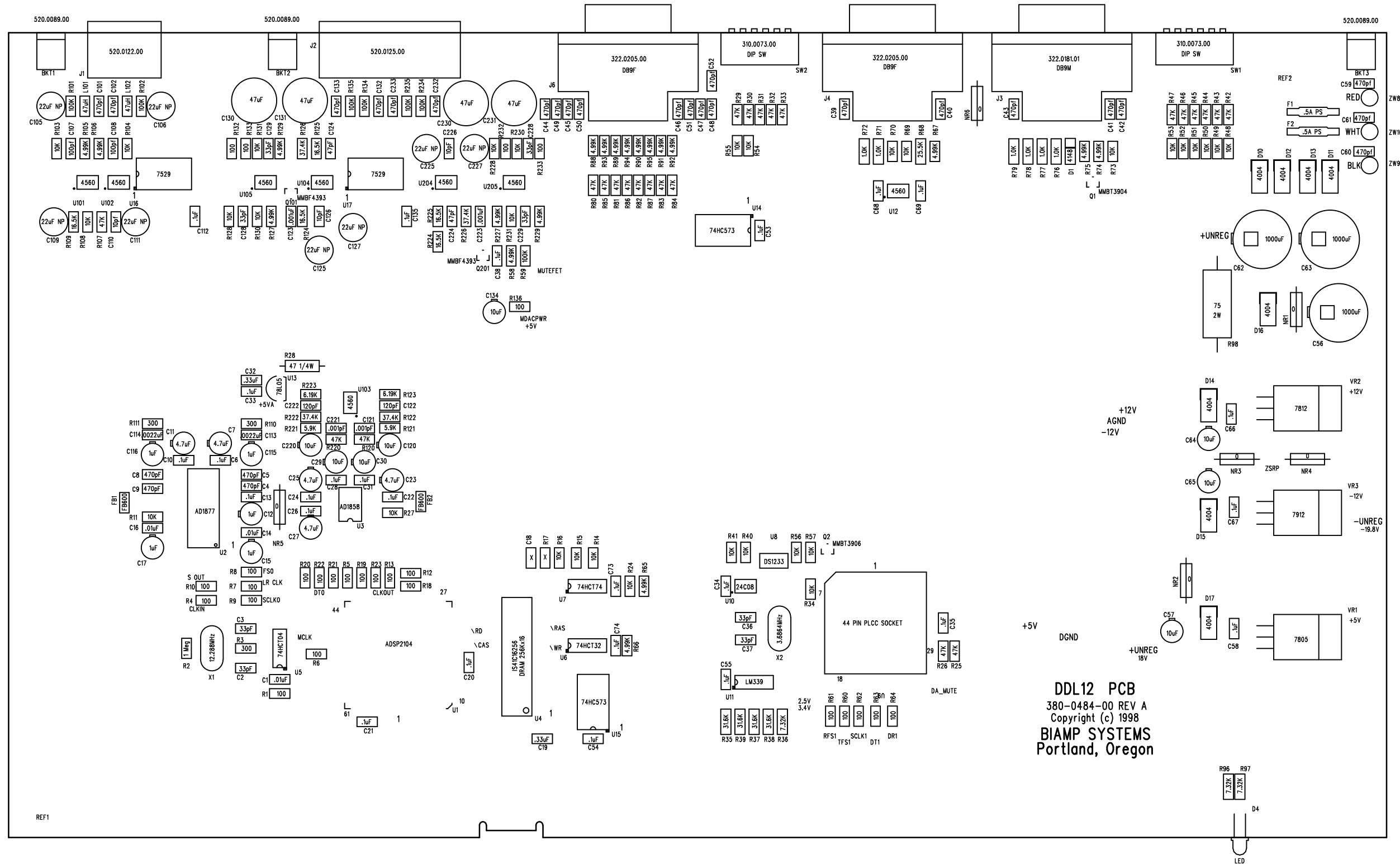


**DDL12
(Digital Delay)**

Schematic

Released July 16, 2002



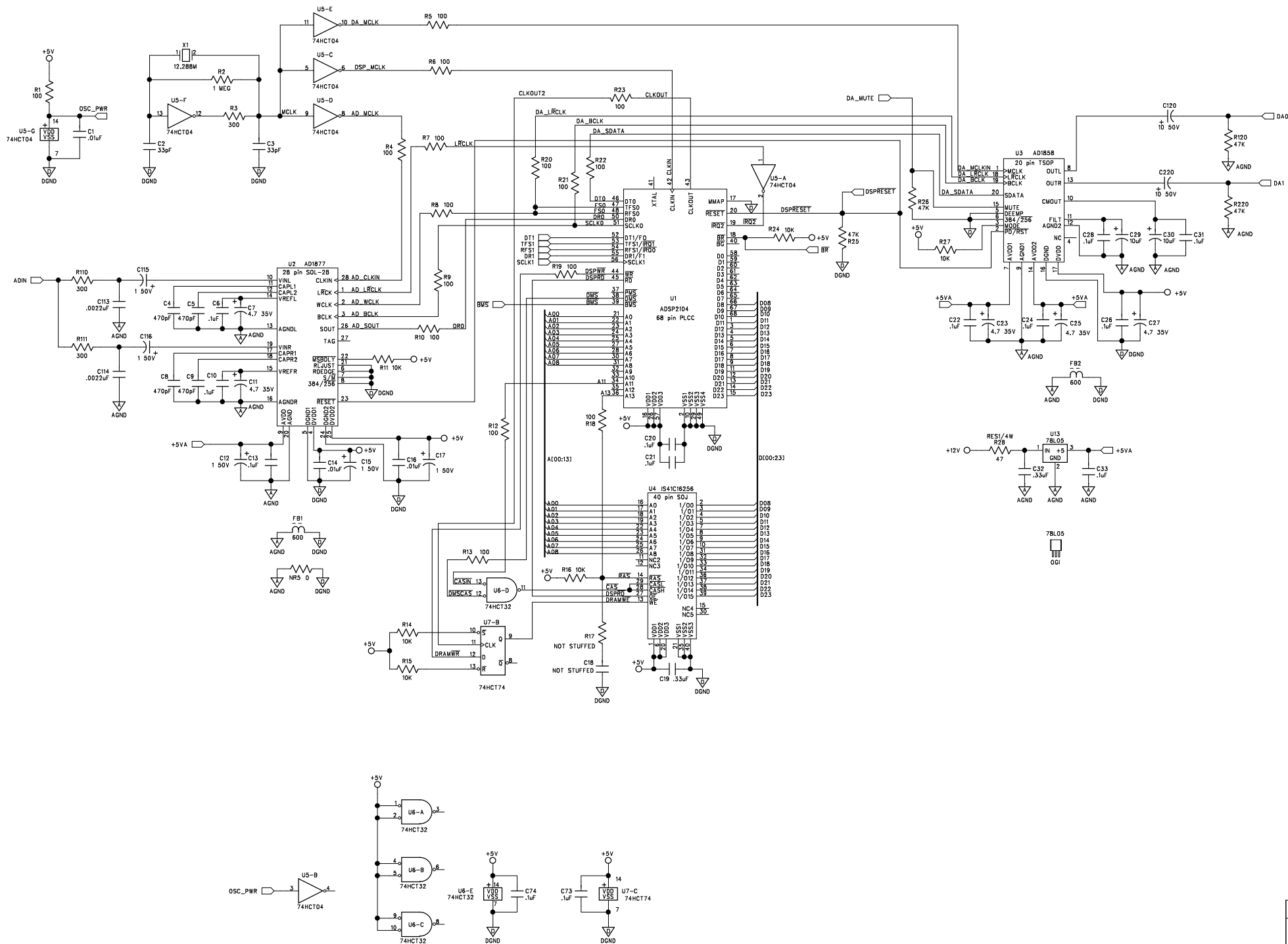
BIAMP SYSTEMS
14130 N.W. Science Park Drive
Portland, Oregon 97229
(503) 641-7287

380-0484-00
DDL12 PCB REV A

Sheet 1 of 1: Fabrication Drawing

DDL12 PCB
380-0484-00 REV A
Copyright (c) 1998
BIAMP SYSTEMS
Portland, Oregon

| REVISION RECORD | | | | |
|-----------------|-------|-----------------|--------|-----|
| REV | ECO # | DESCRIPTION: | DATE: | BY: |
| A | - | INITIAL RELEASE | 5/8/98 | |
| | | | | |
| | | | | |
| | | | | |



BIAMP SYSTEMS, INC. 14130 NW SCIENCE PARK DRIVE
 PORTLAND, OR 97229

TITLE: Advantage DDL12
 AD/DA & DSP

| | | | | |
|--------------------|------------|--------|--------------|-------|
| USED ON: | DATE: | SIZE: | DRAWING NO.: | REV.: |
| DRAWN: Rick Garner | DN: 5/8/98 | | 700.0484.00 | A |
| APPROVED: | DN: | SCALE: | | |

SHEET: 1 OF 3

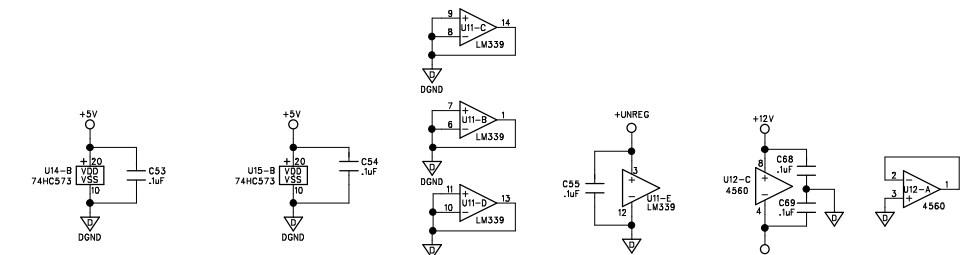
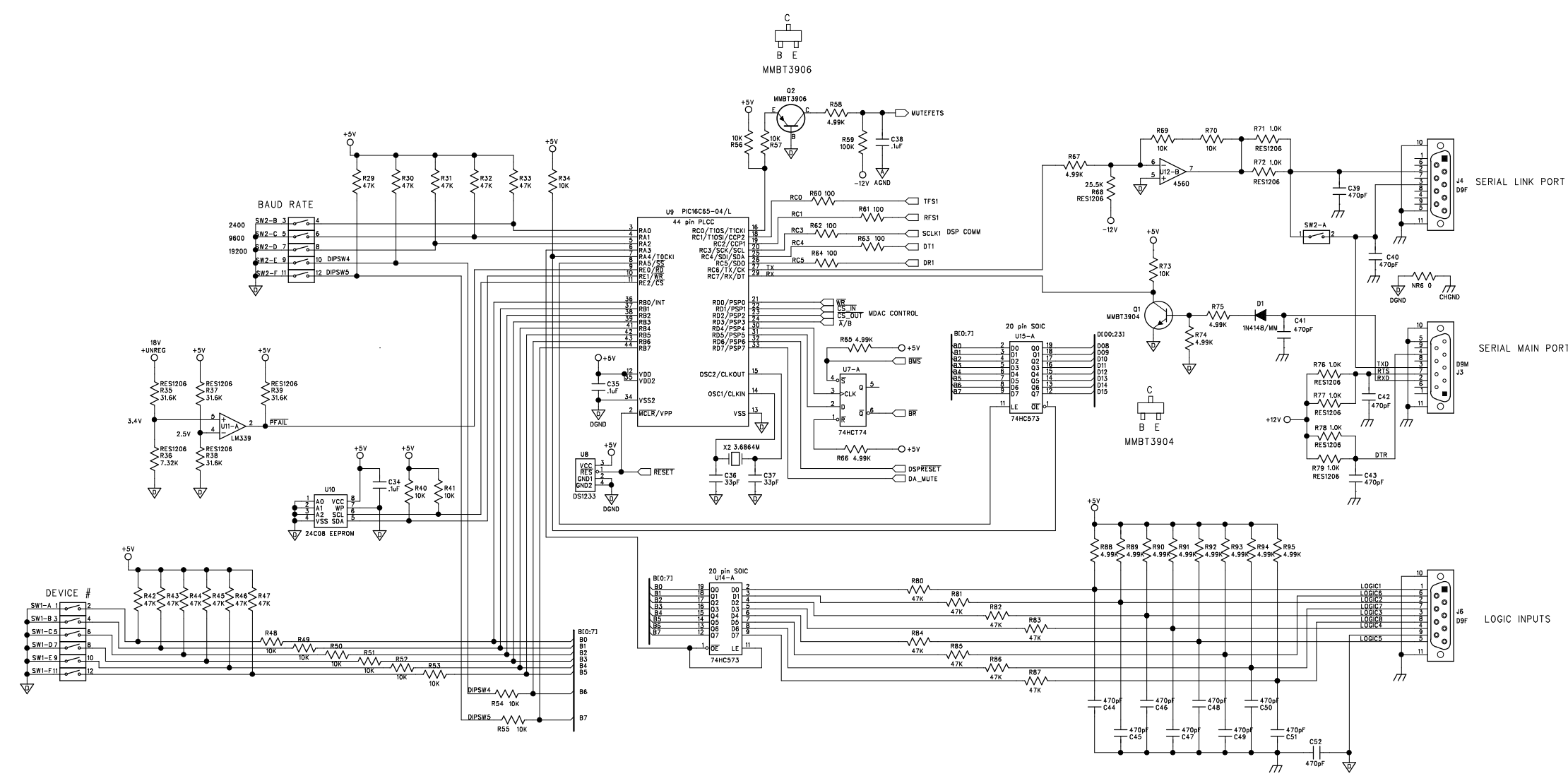
| REVISION RECORD | | | | |
|-----------------|-------|--------------|-------|-----|
| REV | ECD # | DESCRIPTION: | DATE: | BY: |
| | | | | |
| | | | | |
| | | | | |

A

B

C

D



BIAMP SYSTEMS, INC. 14130 NW SCIENCE PARK DRIVE
 PORTLAND, OR 97229

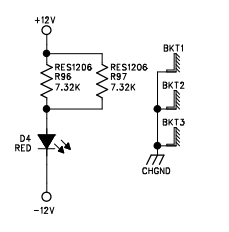
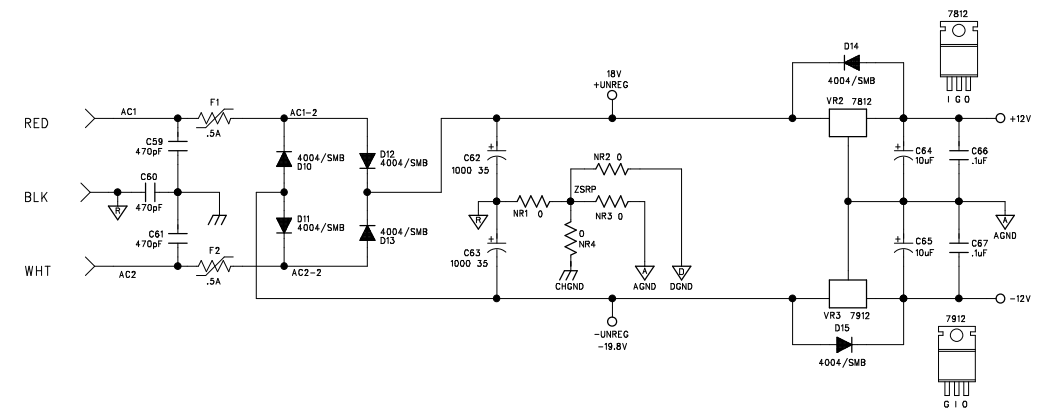
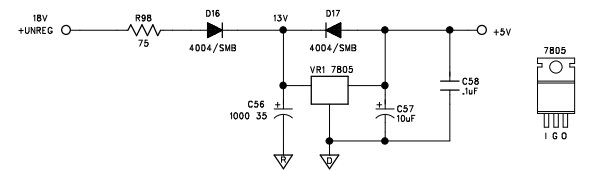
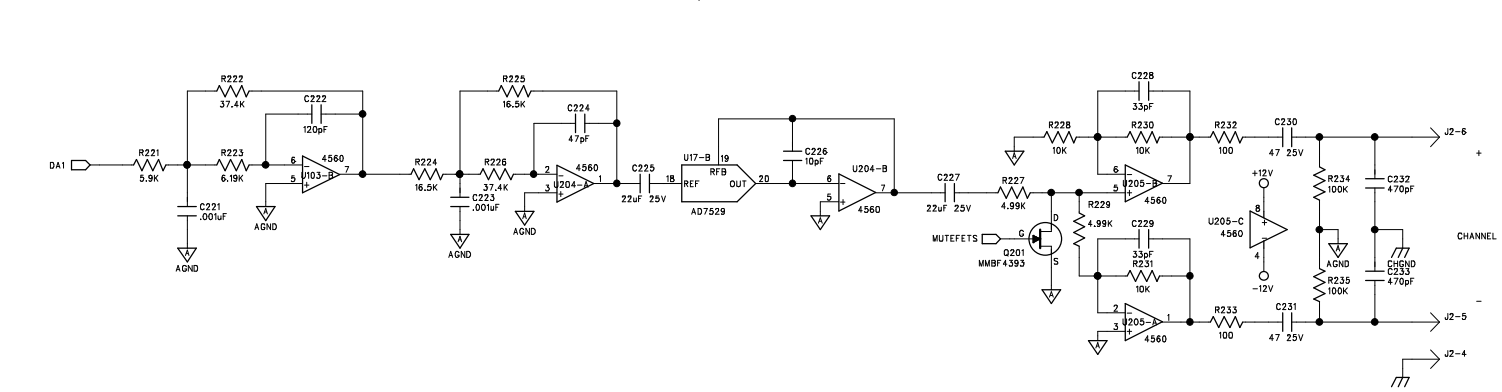
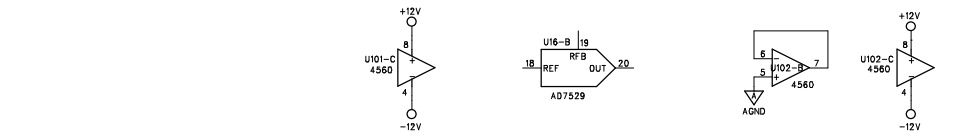
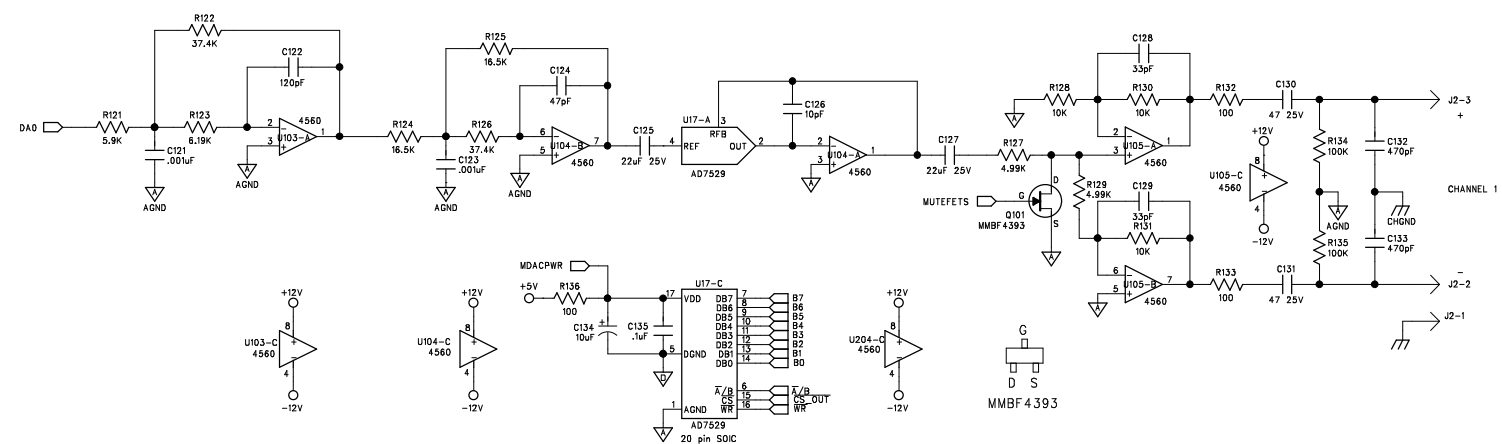
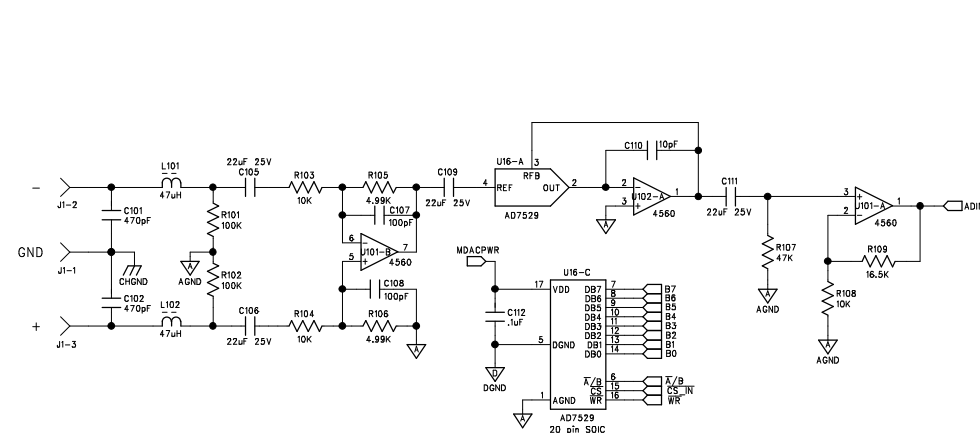
TITLE: Advantage DDL12
 MICROCONTROLLER & COMM

| | | |
|--------------------|------------|------|
| USED ON: | DATE: | REV: |
| DRAWN: Rick Garner | DN: 5/8/98 | A |
| APPROVED: | DN: | |

CDPY DATE STAMP: SIZE: DRAWING NO: 700.0484.00

SCALE: SHEET: 2 OF 3

| REVISION RECORD | | | | |
|-----------------|-------|--------------|-------|-----|
| REV | ECO # | DESCRIPTION: | DATE: | BY: |
| | | | | |
| | | | | |
| | | | | |



BIAMP SYSTEMS, INC. 14130 NW SCIENCE PARK DRIVE PORTLAND, OR 97229

TITLE: Advantage DDL12 ANALOG I/O & POWER SUPPLY

| | | | |
|--------------------|--------------|-------------------|--------|
| USED ON: | DATE: 5/8/98 | SIZE: 700.0484.00 | REV: A |
| DRAWN: Rick Garner | DATE: | DRAWING NO: | SCALE: |
| APPROVED: | DATE: | DATE: | DATE: |