

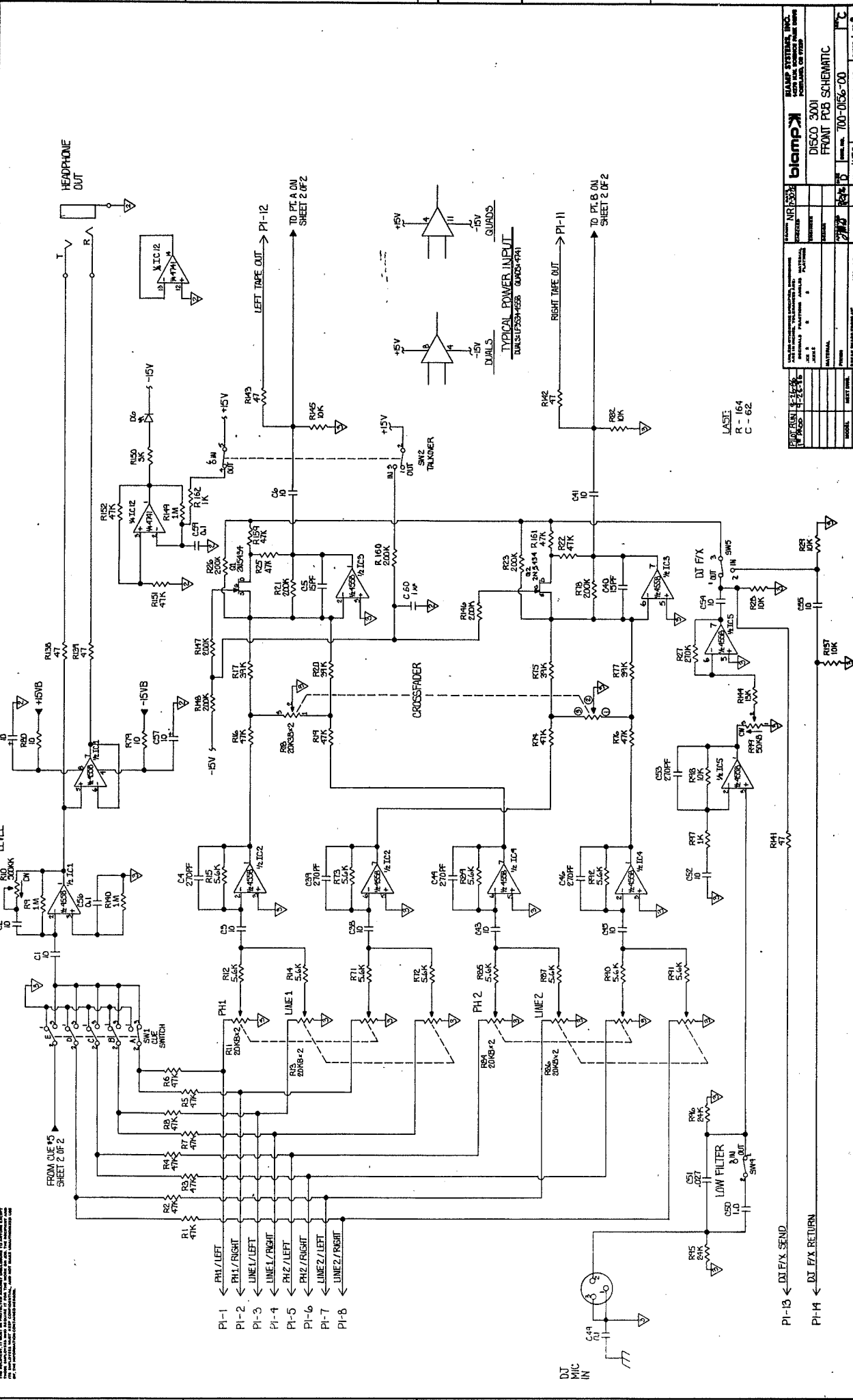
DJ 3600, 3500, 3001

# Schematic

**B I A M P<sup>®</sup>**

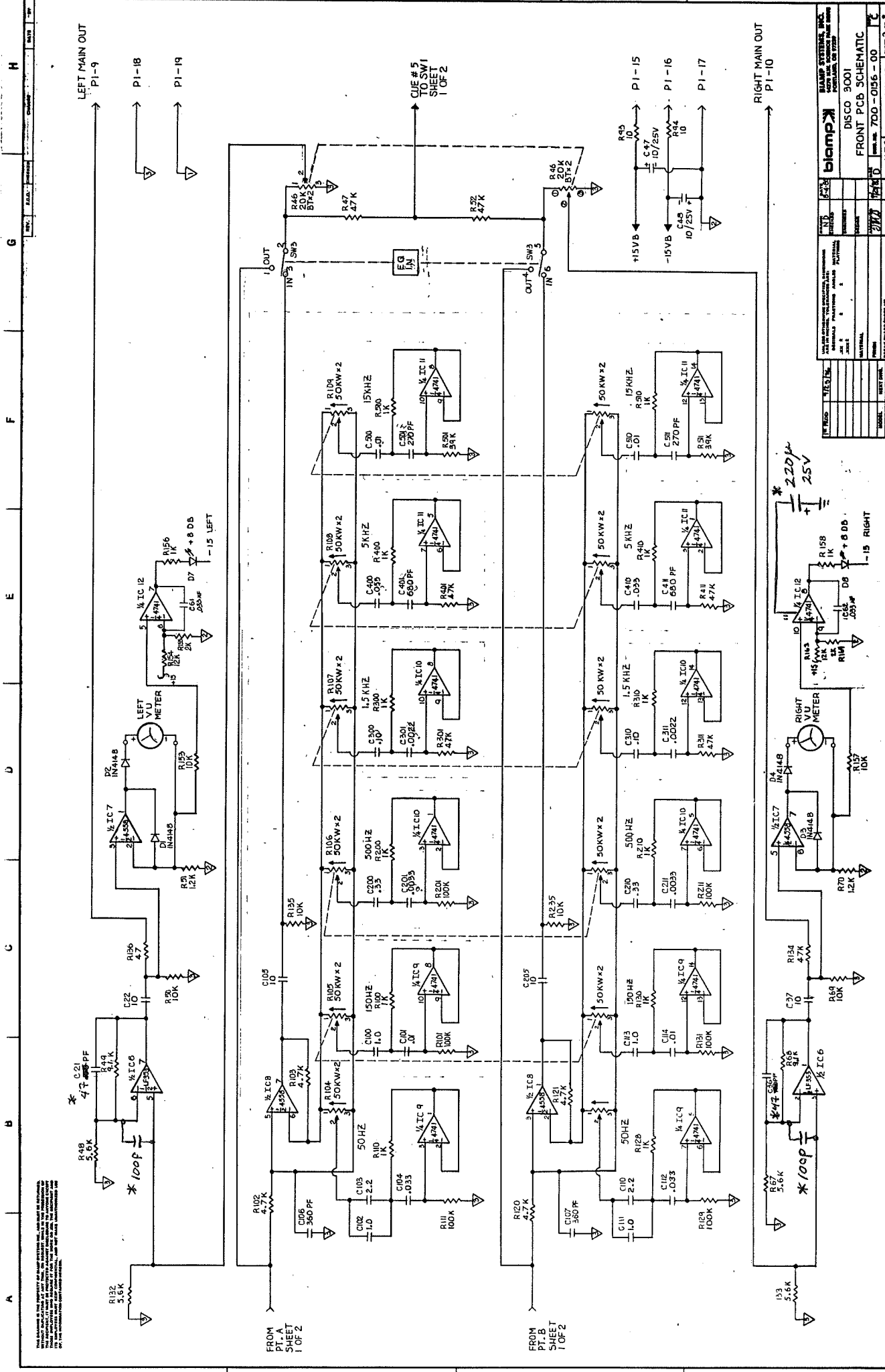
---

S Y S T E M S



DATE	BY	REVISION
12-2-66	NR	1
12-2-66	NR	2
12-2-66	NR	3
12-2-66	NR	4
12-2-66	NR	5
12-2-66	NR	6
12-2-66	NR	7
12-2-66	NR	8
12-2-66	NR	9
12-2-66	NR	10
12-2-66	NR	11
12-2-66	NR	12
12-2-66	NR	13
12-2-66	NR	14
12-2-66	NR	15
12-2-66	NR	16
12-2-66	NR	17
12-2-66	NR	18
12-2-66	NR	19
12-2-66	NR	20
12-2-66	NR	21
12-2-66	NR	22
12-2-66	NR	23
12-2-66	NR	24
12-2-66	NR	25
12-2-66	NR	26
12-2-66	NR	27
12-2-66	NR	28
12-2-66	NR	29
12-2-66	NR	30
12-2-66	NR	31
12-2-66	NR	32
12-2-66	NR	33
12-2-66	NR	34
12-2-66	NR	35
12-2-66	NR	36
12-2-66	NR	37
12-2-66	NR	38
12-2-66	NR	39
12-2-66	NR	40
12-2-66	NR	41
12-2-66	NR	42
12-2-66	NR	43
12-2-66	NR	44
12-2-66	NR	45
12-2-66	NR	46
12-2-66	NR	47
12-2-66	NR	48
12-2-66	NR	49
12-2-66	NR	50
12-2-66	NR	51
12-2-66	NR	52
12-2-66	NR	53
12-2-66	NR	54
12-2-66	NR	55
12-2-66	NR	56
12-2-66	NR	57
12-2-66	NR	58
12-2-66	NR	59
12-2-66	NR	60
12-2-66	NR	61
12-2-66	NR	62
12-2-66	NR	63
12-2-66	NR	64
12-2-66	NR	65
12-2-66	NR	66
12-2-66	NR	67
12-2-66	NR	68
12-2-66	NR	69
12-2-66	NR	70
12-2-66	NR	71
12-2-66	NR	72
12-2-66	NR	73
12-2-66	NR	74
12-2-66	NR	75
12-2-66	NR	76
12-2-66	NR	77
12-2-66	NR	78
12-2-66	NR	79
12-2-66	NR	80
12-2-66	NR	81
12-2-66	NR	82
12-2-66	NR	83
12-2-66	NR	84
12-2-66	NR	85
12-2-66	NR	86
12-2-66	NR	87
12-2-66	NR	88
12-2-66	NR	89
12-2-66	NR	90
12-2-66	NR	91
12-2-66	NR	92
12-2-66	NR	93
12-2-66	NR	94
12-2-66	NR	95
12-2-66	NR	96
12-2-66	NR	97
12-2-66	NR	98
12-2-66	NR	99
12-2-66	NR	100

updates\* (5 ea.)

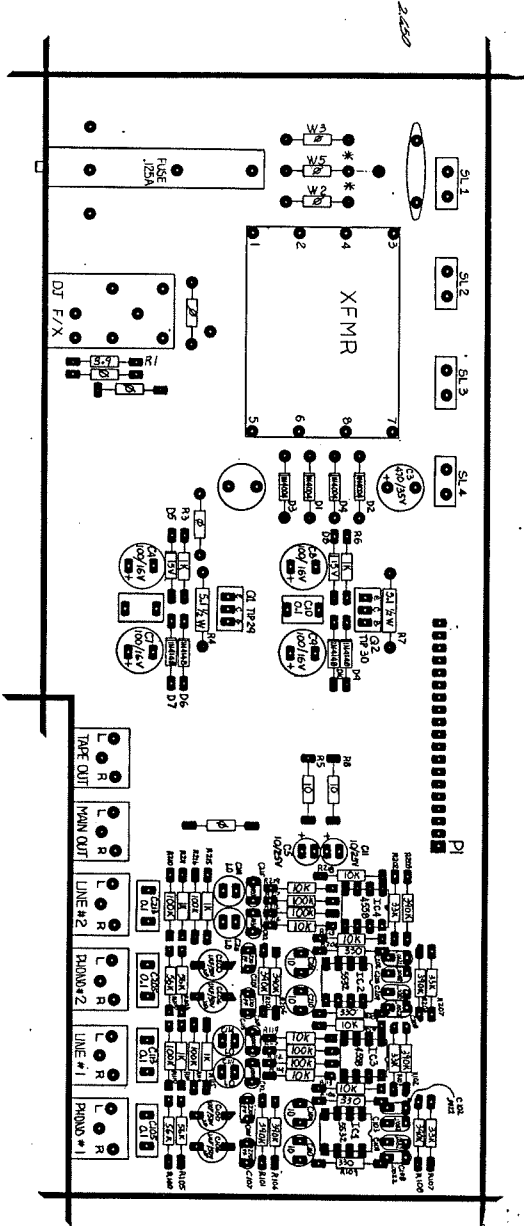


REV	DATE	BY	DESCRIPTION
1			INITIAL DESIGN
2			REVISED
3			REVISED
4			REVISED
5			REVISED
6			REVISED
7			REVISED
8			REVISED
9			REVISED
10			REVISED
11			REVISED
12			REVISED
13			REVISED
14			REVISED
15			REVISED
16			REVISED
17			REVISED
18			REVISED
19			REVISED
20			REVISED

blamp DISCO 3001 FRONT PCB SCHEMATIC  
PART NO. 700-0156-00  
REV. 12/80  
SHEET 2 OF 2



A B C D E F G H



NOTES:  
 \* FOR 120 VAC INPUT POWER, W3 ONLY  
 - STUFF & Δ JUMPER W2 & W3 ONLY  
 - FOR 240 VAC INPUT POWER,  
 - STUFF & Δ JUMPER W3 ONLY.

REV	DATE	DESCRIPTION	BY	CHKD
00A	11-0	INITIAL REV. OF PROTO. BOARD		
00B	09-87	REVISION #1 (W2, W3)		
00C	09-87	ZONE 28 REMOVE THE PRO		

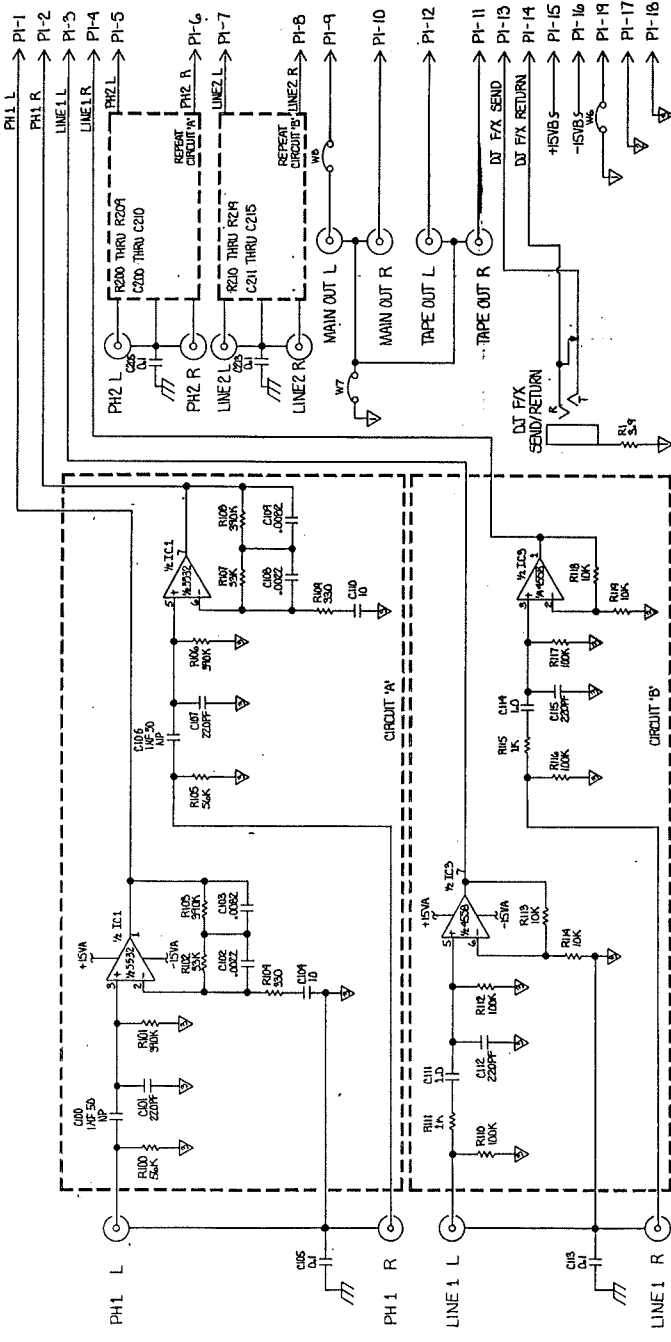
7-17-86

**blamp**

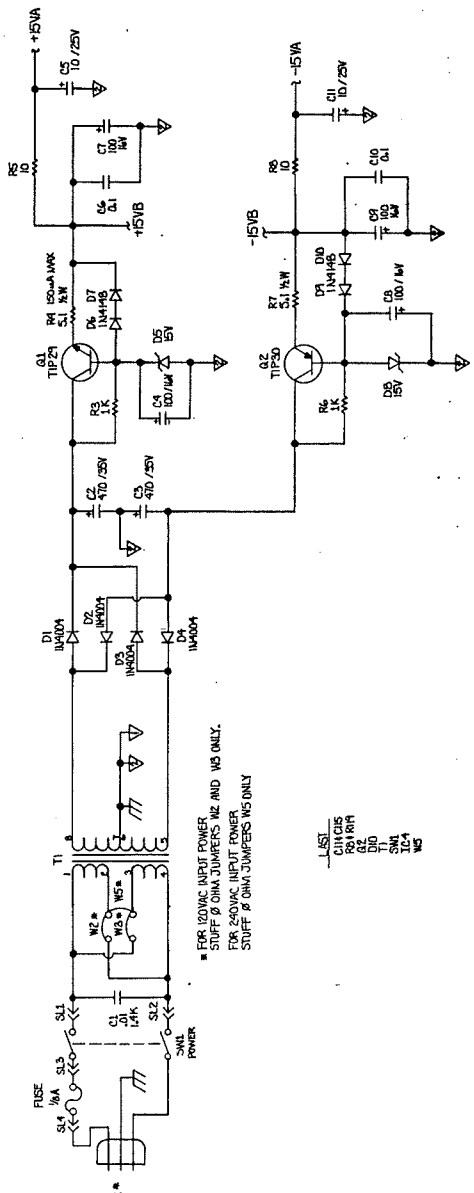
COMPONENT LAYOUT  
 DISCO 3001 REAR PCB

70-057-00

THIS SCHEMATIC IS THE PROPERTY OF BLOMP SYSTEMS, INC. AND IS NOT TO BE REPRODUCED OR TRANSMITTED IN ANY FORM OR BY ANY MEANS, ELECTRONIC OR MECHANICAL, INCLUDING PHOTOCOPYING, RECORDING, OR BY ANY INFORMATION STORAGE AND RETRIEVAL SYSTEM. THE INFORMATION CONTAINED HEREIN IS UNCLASSIFIED. DATE 05-15-87 BY 104A 104A-87



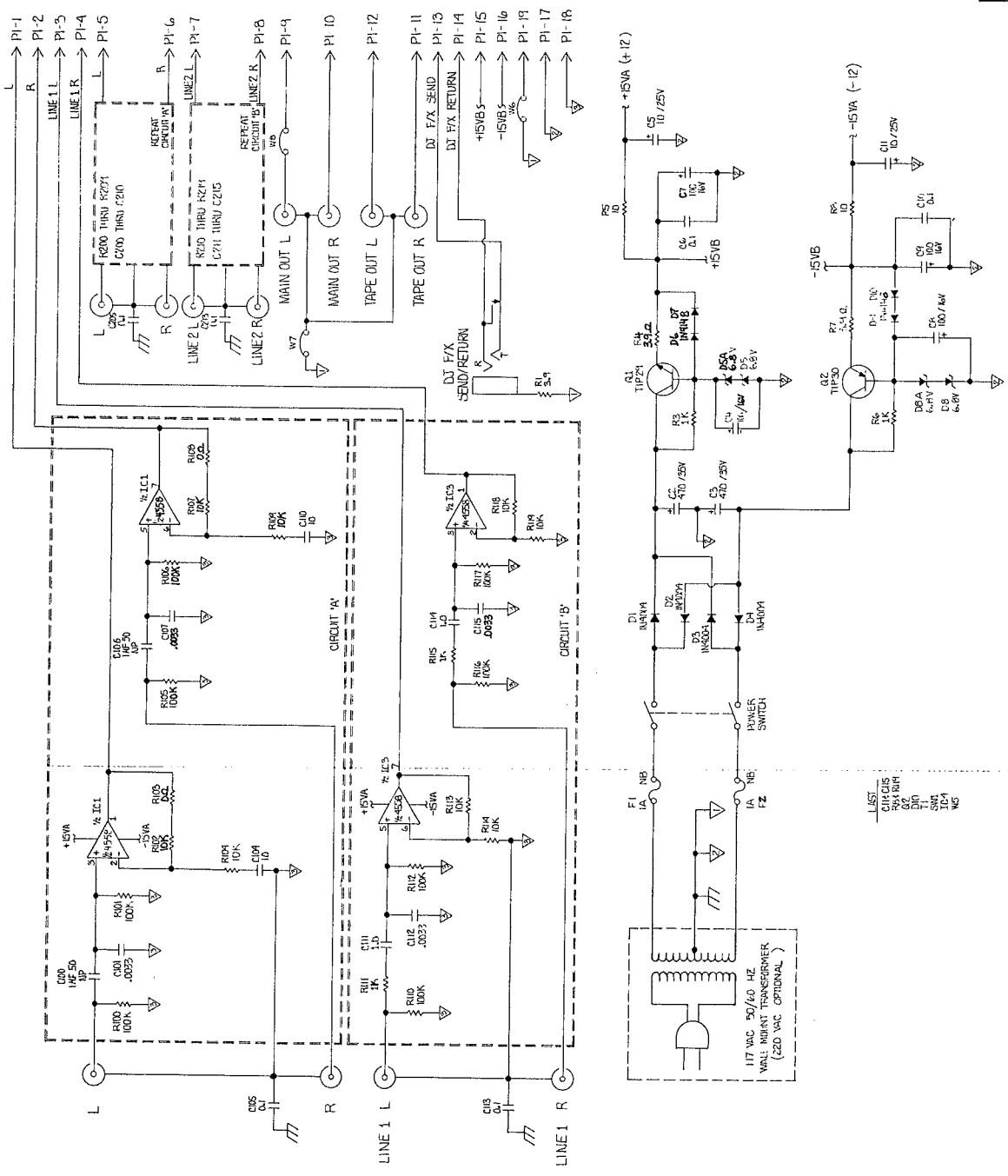
NOTES:  
 1. ALL RESISTORS ARE GIVEN IN OHMS  
 2. ALL CAPACITORS ARE GIVEN IN MICROFARADS



\* FOR 10VDC INPUT POWER  
 STUFF # 0 OHM JUMPERS W2 AND W3 ONLY.  
 \* FOR 250VAC INPUT POWER  
 STUFF # 0 OHM JUMPERS W5 ONLY

- LIST  
 C1 C10  
 R1 R10  
 D1 D10  
 T1 T10  
 S1 S10  
 W1 W10

THIS DRAWING IS THE PROPERTY OF BIAMP SYSTEMS, INC. AND IS NOT TO BE REPRODUCED OR TRANSMITTED IN ANY FORM OR BY ANY MEANS, ELECTRONIC OR MECHANICAL, INCLUDING PHOTOCOPYING, RECORDING, OR BY ANY INFORMATION STORAGE AND RETRIEVAL SYSTEM. THE COMPANY WILL NOT BE RESPONSIBLE FOR ANY DAMAGE TO PROPERTY OR PERSONS ARISING FROM THE USE OF THIS DRAWING FOR ANY PURPOSE OTHER THAN THAT AUTHORIZED BY BIAMP SYSTEMS, INC. AND WILL NOT BE RESPONSIBLE FOR ANY LOSS OF PROFITS OR OTHER ECONOMIC DAMAGES.



NOTES:  
 1. ALL RESISTORS ARE GIVEN IN OHMS  
 2. ALL CAPACITORS ARE GIVEN IN MICROFARADS

DESIGNER	DATE	REV.	BY	DATE
W.D.	11/77	1	W.D.	11/77
CHECKED				
APPROVED				
BIAMP SYSTEMS, INC. 1000 W. 10TH AVE. SUITE 200 DENVER, CO 80202				
PROJECT NO. 700-0420-00		SHEET 1 OF 1		

