

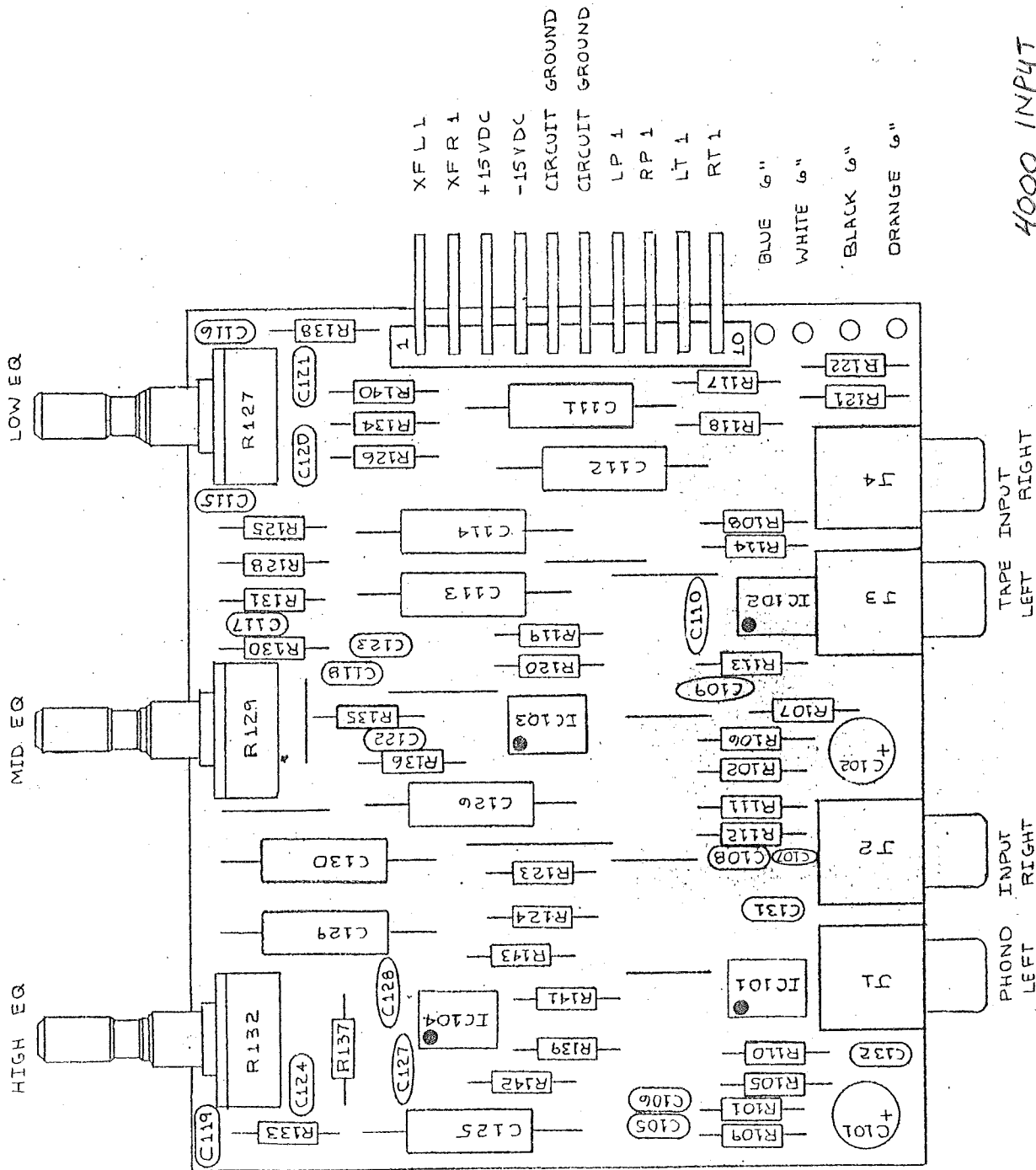
4000, 4001

# Schematic

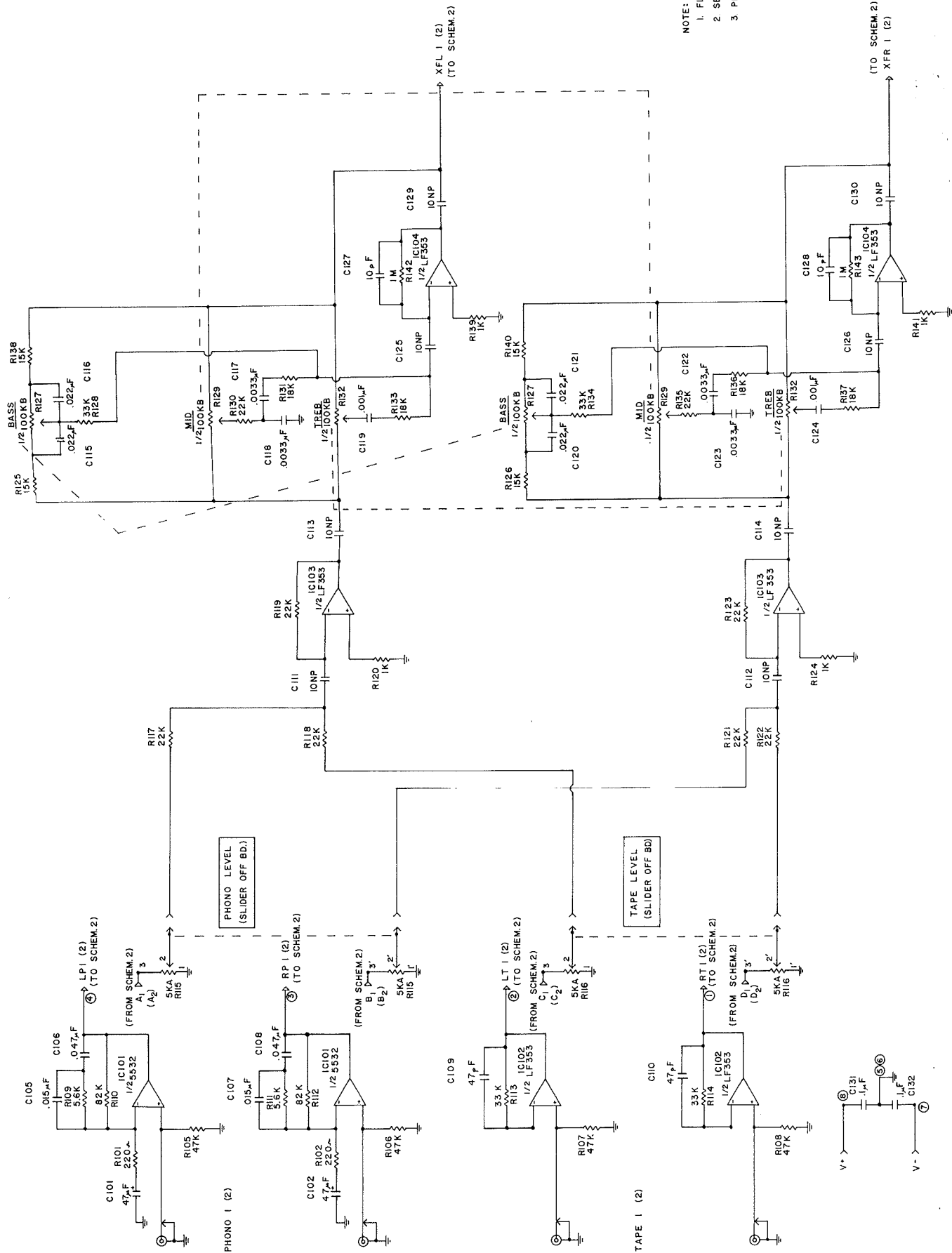
**B I A M P**<sup>®</sup>

---

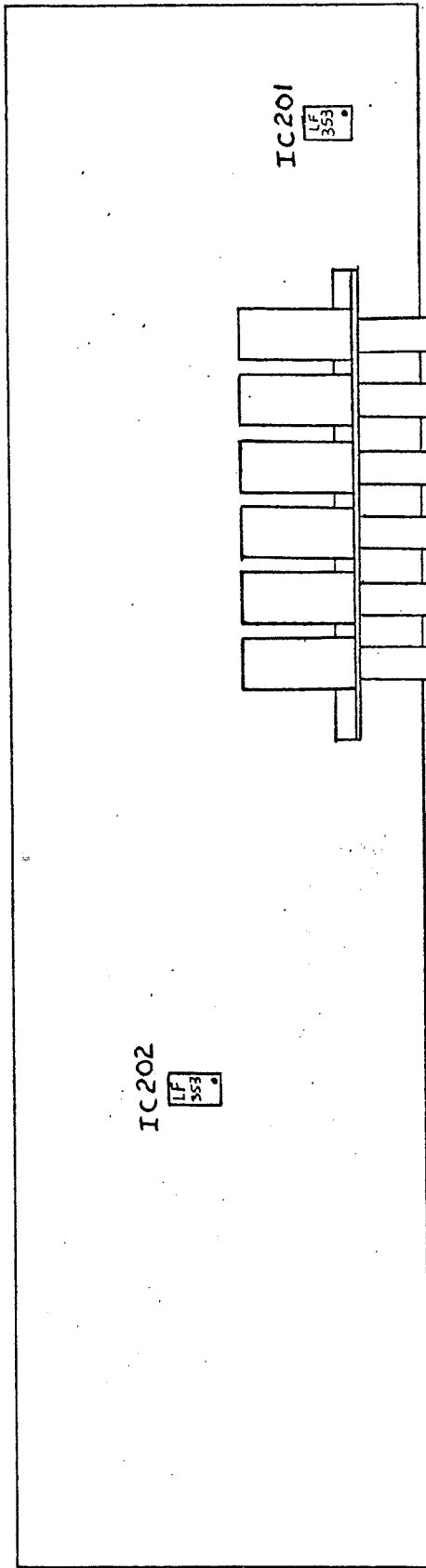
S Y S T E M S



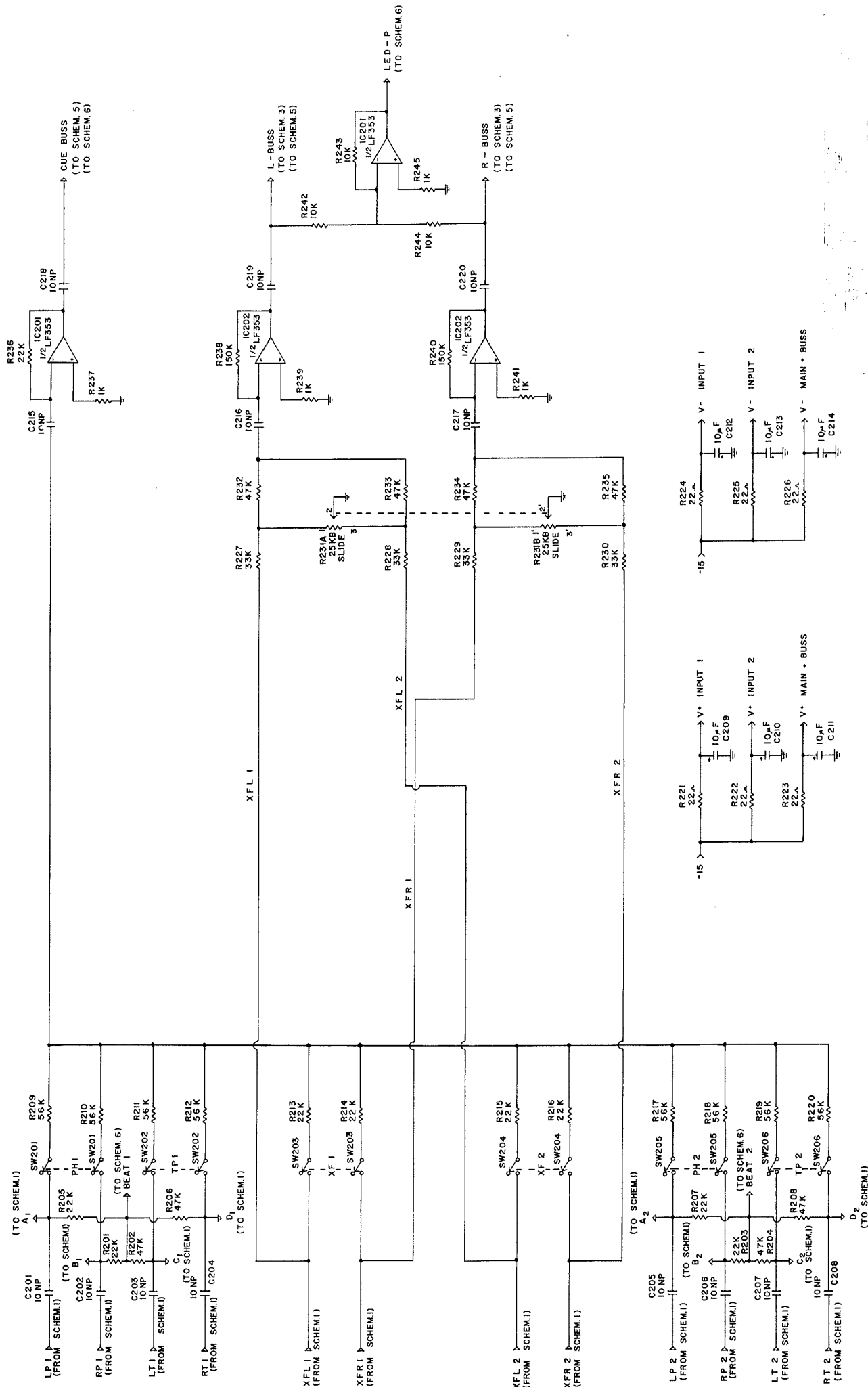
4000 INPUT  
 LAYOUT  
 2-8-83

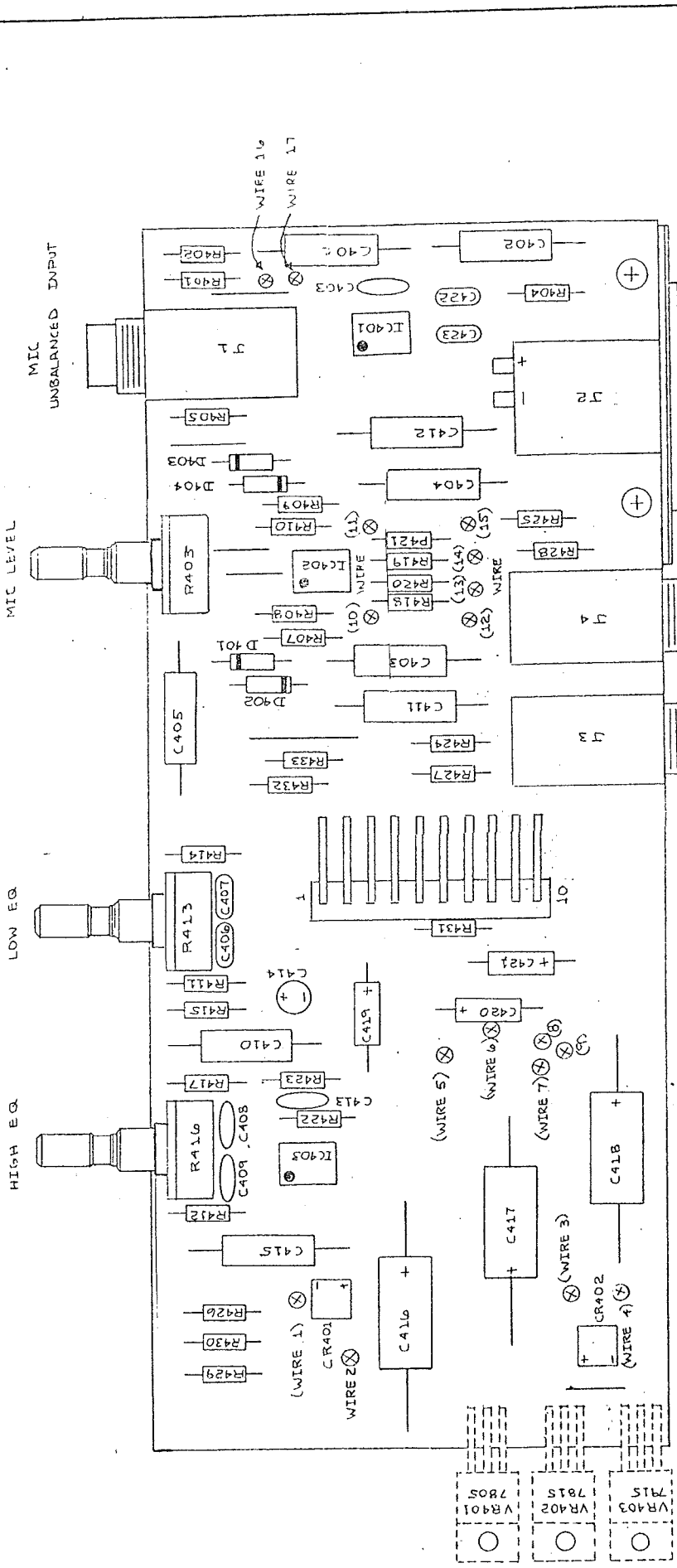


NOTE:  
 1. FIRST NUMBER FOR BOARD I.  
 2. SECOND NUMBER, (X), FOR BOARD 2.  
 3. PIN NUMBERS, (X).



4000 MOTHER BOARD  
DRAWN BY  
TOM HENDRICKSEN  
5/6/80





NUMBER	WIRE PLACEMENT CHART	FUNCTION	COLOR	LENGTH
1	6-3VDC	GRN	GRN	---
2	6-3VDC	GRN	GRN	---
3	28VDC	RED	RED	---
4	28VDC	RED	RED	---
5	+15VDC	RED	RED	---
6	-15VDC	GRY	GRY	---
7	GND	RED-YEL	RED-YEL	---
8	GND	BLK	BLK	---
9	L-PGM FADER	BLU	BLU	4.5
10	R-PGM FADER	GRN	GRN	4.0
11	L-PGM FADER	GRY	GRY	4.0
12	MONITOR BUSS	BRN	BRN	5.5
13	MONITOR BUSS	BRN	BRN	5.5
14	LIGHT BUSS	RED	RED	5.5
15	R-PGM FADER	BLK	BLK	4.0
16	MIC +	YEL	YEL	3.5
17	MIC -	RED	RED	3.5

CONNECTOR	PIN NUMBER	FUNCTIONS
1	1	LED GND
2	2	+5V REG
3	3	L-OUT
4	4	R-OUT
5	5	MIC BUSS
6	6	+15VDC REG
7	7	-15VDC REG
8	8	GND
9	9	LEFT FADE
10	10	RIGHT FADE

ISSUED  
DEC 02 1987

ITEM	DESCRIPTION	SIZE	QTY.
4000	916-8000-00		
4000	300-0340-70		

PART NO.	DATE	DESCRIPTION	SIZE	QTY.
JD	11/82	BIAMP SYSTEMS INC.		
JD	11/82	COMPONENT ASSEMBLY		
DESIGN		MIL PCB		
APPROVED		4000 AUDIO MIXER		
		SIZE		
		DWG. NO. B15-0003-00		
		SCALE 2X		
		NO UNIT SCALE DRAWING		
		SHEET 1 OF 2		

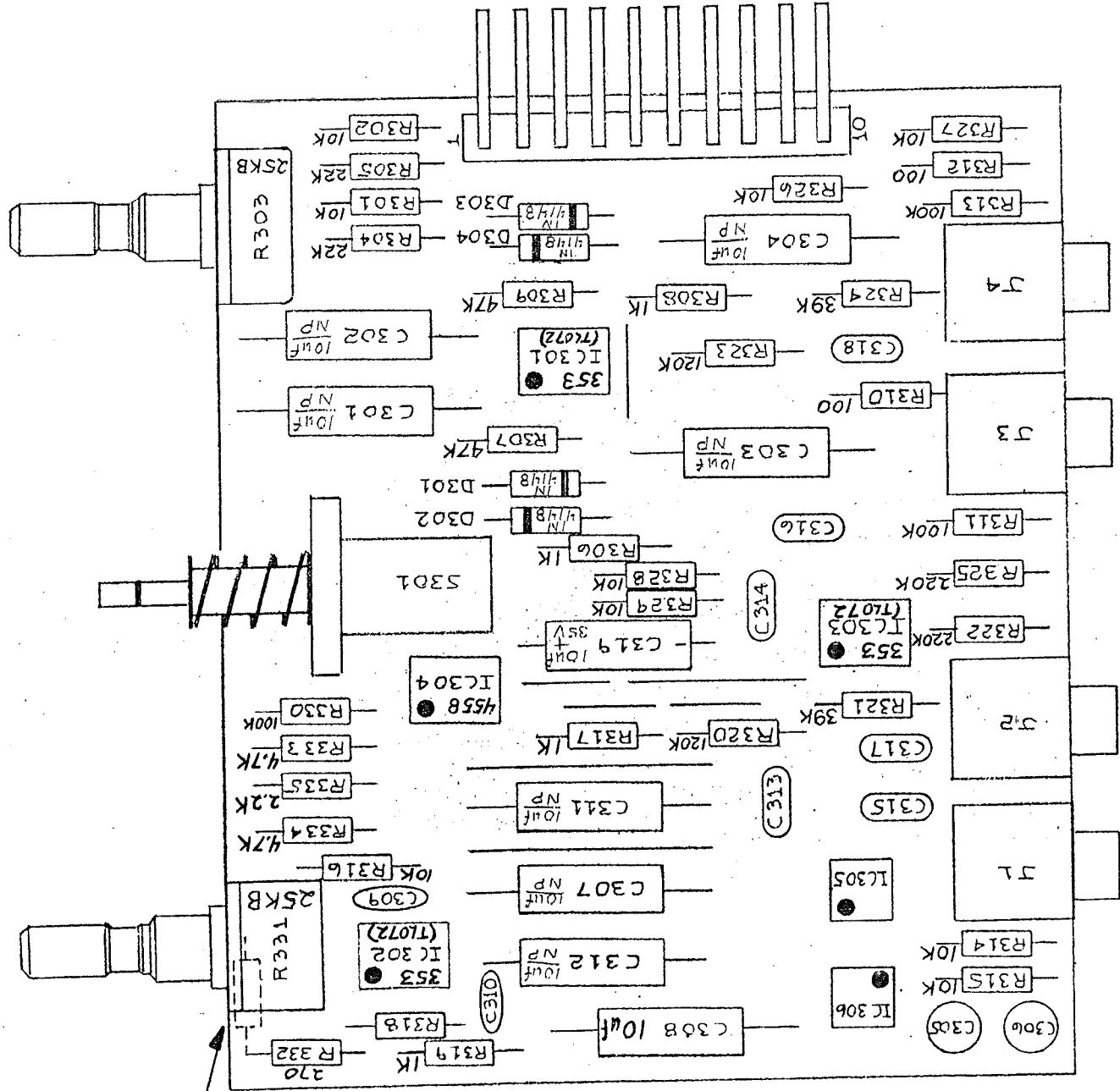


BIAMP  
4000 MAIN BOARD  
12-Z-82

RIGHT INPUT  
LEFT INPUT  
MIKE BUSS  
+15  
-15  
COMMON  
COMMON  
LEFT CH. OUT  
RIGHT CH. OUT

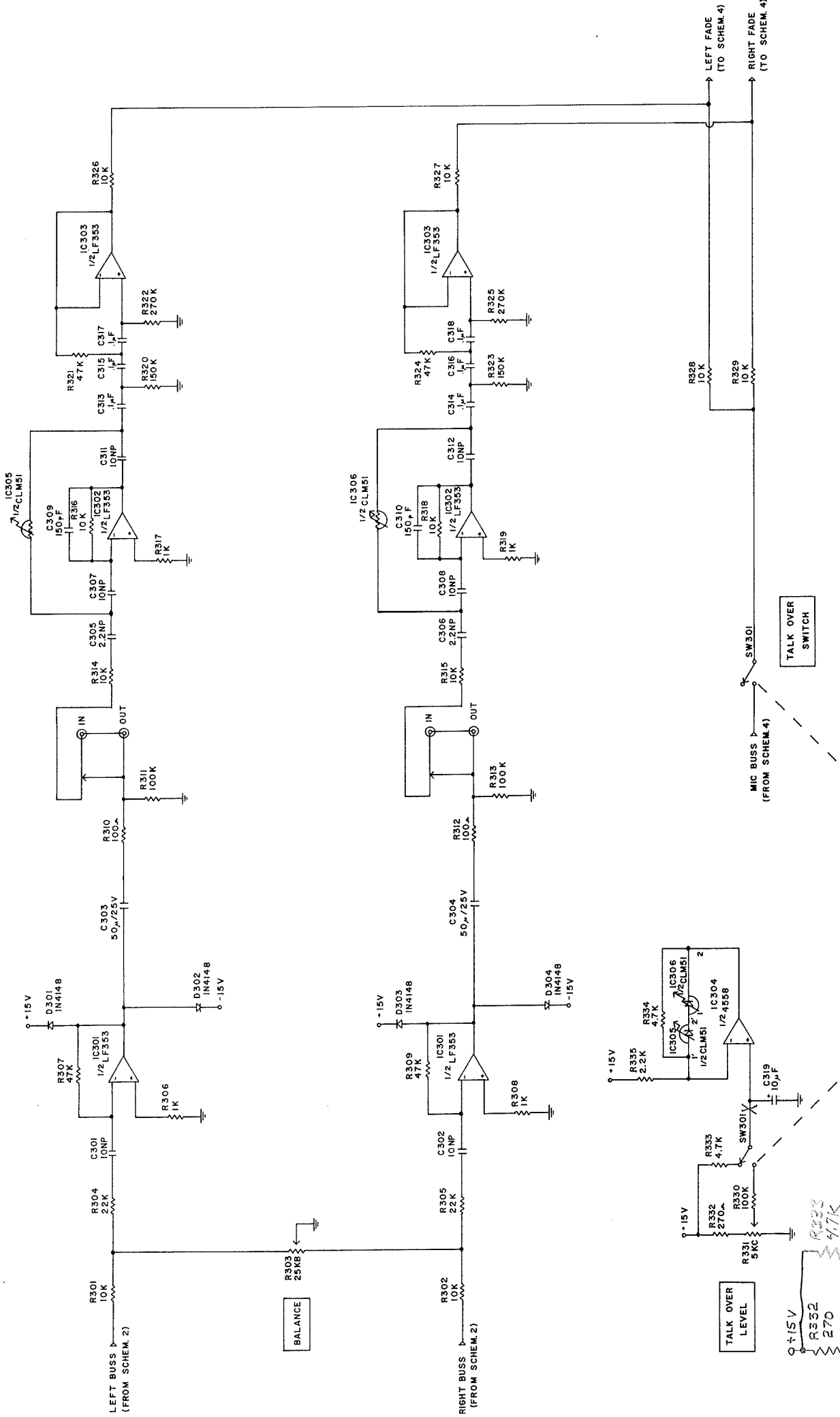
BALANCE

TALK OVER LEVEL



R336  
HAND ADD  
3.3K





REV.	DATE	BY	APP.	DESCRIPTION
1	2-4-80	AZ		INITIAL
2				REVISION
3				REVISION
4				REVISION
5				REVISION

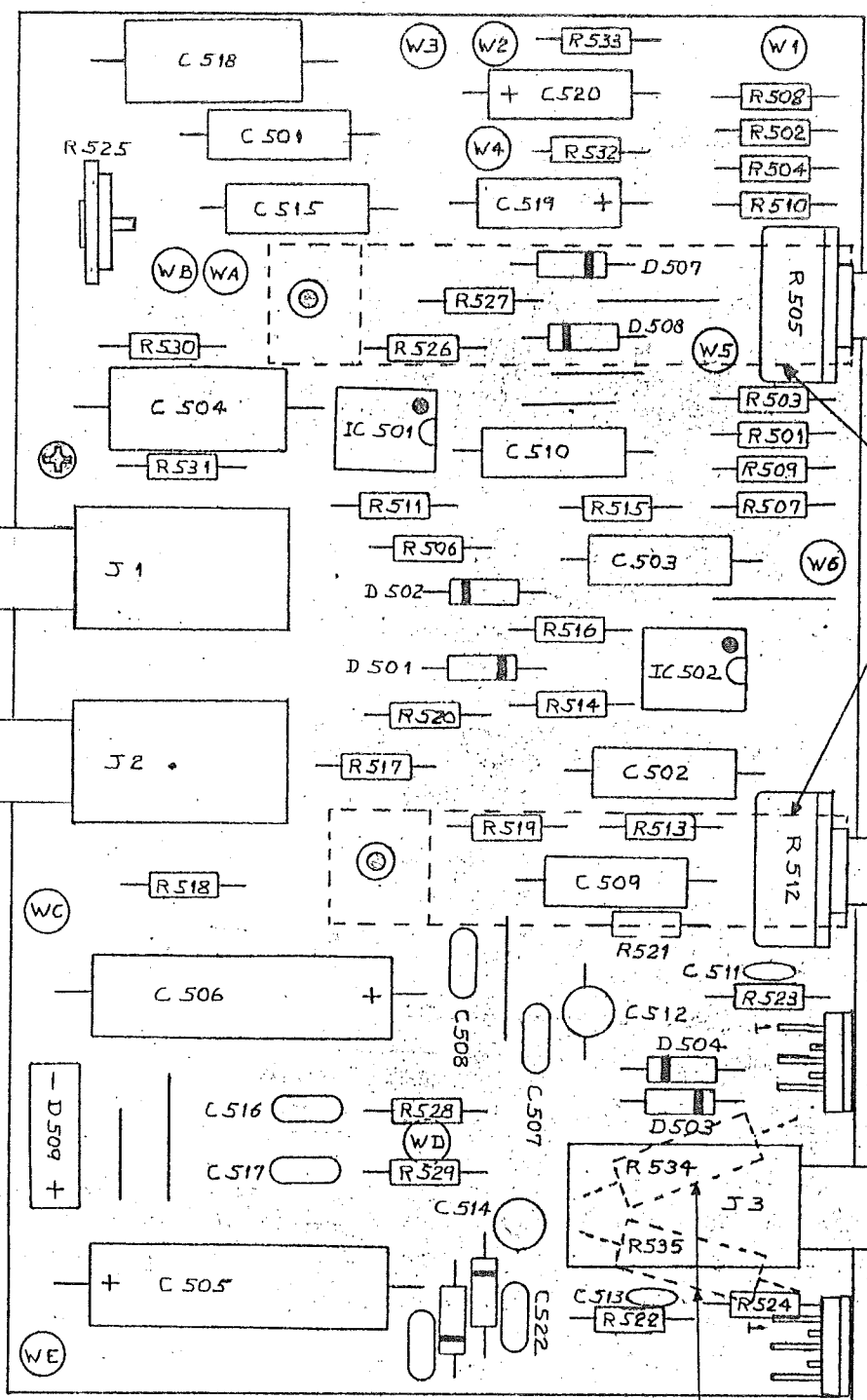
CONTRACT NO.	999 - 0025
PROJECT NO.	4000 DISCO MIXER
BOARD NO.	MAIN BOARD
REV. NO.	D
SCALE	
DO NOT SCALE DRAWING	

THIS TALKOVER CIRCUIT IS USED ON ALL UNITS BUILT AFTER 12-2-82

MONITOR LEVEL

MONITOR OUTPUT

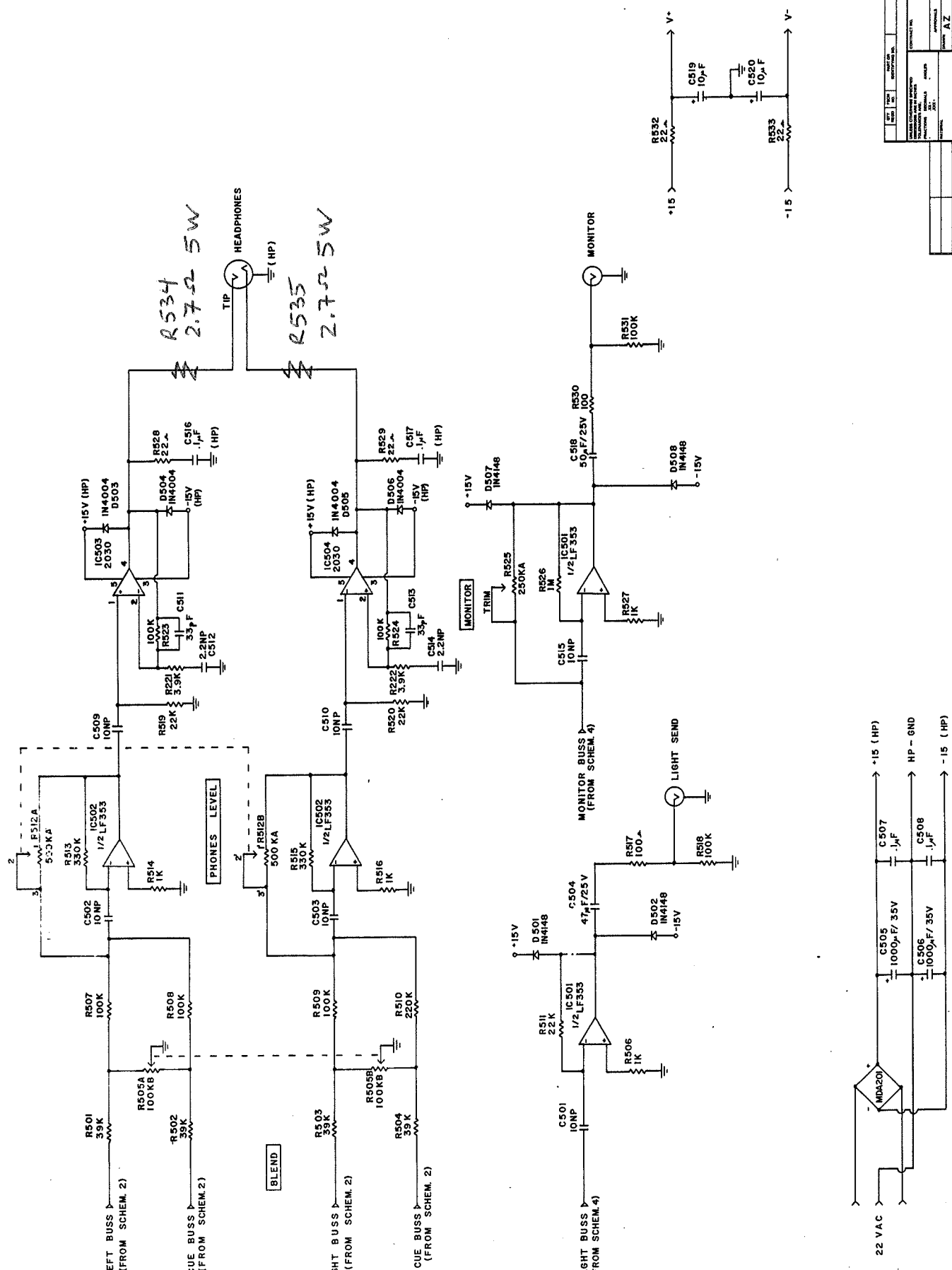
LIGHT SEND



(POT BRACES DRAWN WITH DASHED LINES)

(R534 AND R535 ARE HAND ADDED ON REAR OF BOARD)

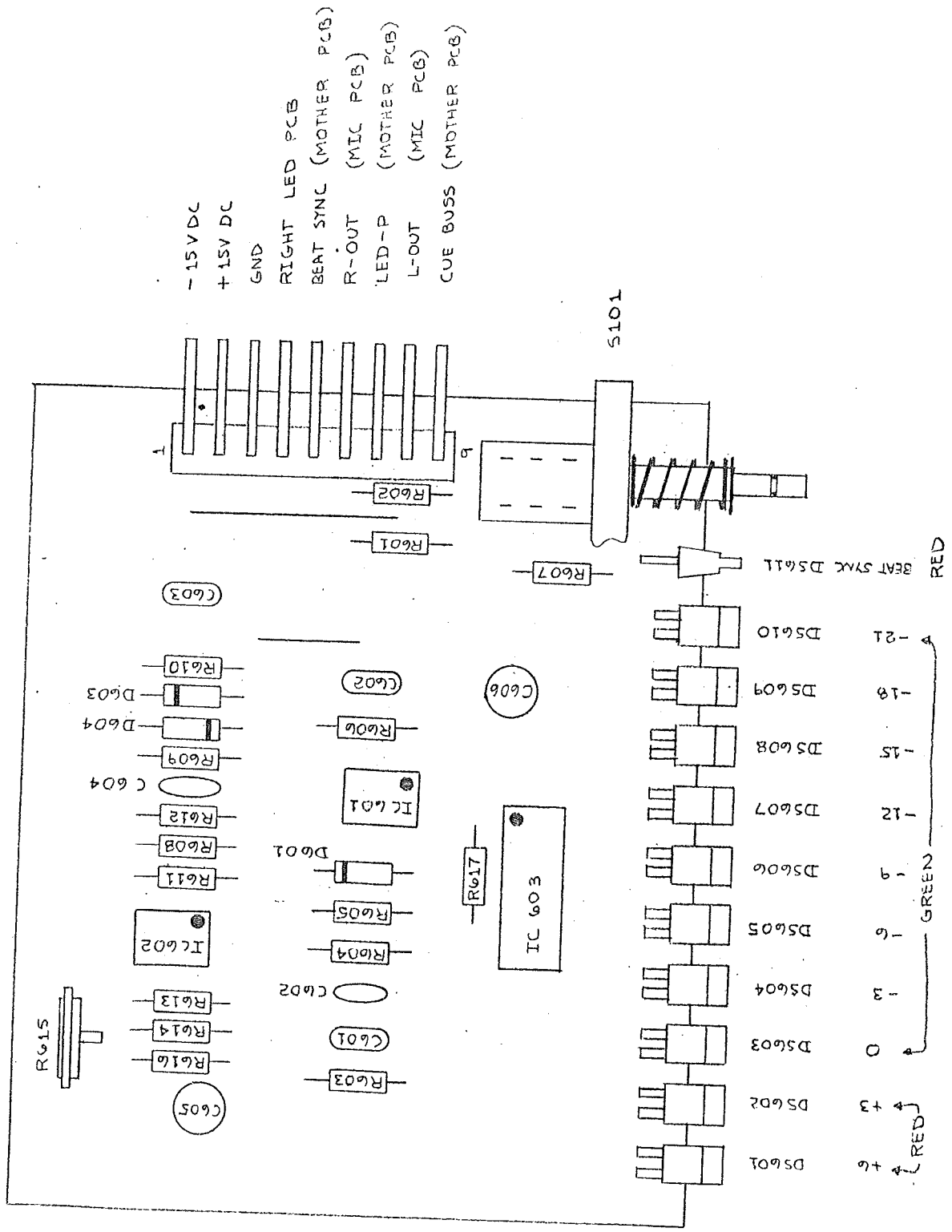
4000 HEADPHONE  
PCB ASSY.  
2-8-83



PARTS LIST		DESCRIPTION		QUANTITY	
NO.	SYMBOL	DESCRIPTION	QTY	UNIT	REMARKS
1	IC501	1/2 LF353	1	IC	
2	IC502	1/2 LF353	4	IC	
3	IC503	2030	2	IC	
4	IC504	2030	2	IC	
5	D501	IN4148	1	DIODE	
6	D502	IN4148	1	DIODE	
7	D503	IN4004	2	DIODE	
8	D504	IN4004	2	DIODE	
9	D506	IN4148	1	DIODE	
10	D507	IN4148	1	DIODE	
11	R501	39K	1	RES	
12	R502	39K	1	RES	
13	R503	100K	1	RES	
14	R504	39K	1	RES	
15	R505	100K	1	RES	
16	R506	1K	1	RES	
17	R507	100K	1	RES	
18	R508	100K	1	RES	
19	R509	100K	1	RES	
20	R510	220K	1	RES	
21	R511	22K	1	RES	
22	R512	500K	1	RES	
23	R513	330K	1	RES	
24	R514	1K	1	RES	
25	R515	330K	1	RES	
26	R516	1K	1	RES	
27	R517	100Ω	1	RES	
28	R518	100K	1	RES	
29	R519	22K	1	RES	
30	R520	22K	1	RES	
31	R521	3.9K	1	RES	
32	R522	3.9K	1	RES	
33	R523	100K	1	RES	
34	R524	100K	1	RES	
35	R525	250K	1	RES	
36	R526	1M	1	RES	
37	R527	1K	1	RES	
38	R528	22Ω	1	RES	
39	R529	22Ω	1	RES	
40	R530	100Ω	1	RES	
41	R531	100K	1	RES	
42	R532	22Ω	1	RES	
43	R533	22Ω	1	RES	
44	R534	2.7Ω SW	1	RES	
45	R535	2.7Ω SW	1	RES	
46	C501	47μF/25V	1	CAP	
47	C502	10μF	1	CAP	
48	C503	10μF	1	CAP	
49	C504	10μF	1	CAP	
50	C505	1000μF/35V	1	CAP	
51	C506	1000μF/35V	1	CAP	
52	C507	10μF	1	CAP	
53	C508	10μF	1	CAP	
54	C509	10μF	1	CAP	
55	C510	10μF	1	CAP	
56	C511	33μF	1	CAP	
57	C512	2.2μF	1	CAP	
58	C513	10μF	1	CAP	
59	C514	2.2μF	1	CAP	
60	C515	33μF	1	CAP	
61	C516	10μF	1	CAP	

999-0025  
4000 DISCO MIXER  
HEAD PHONE BOARD

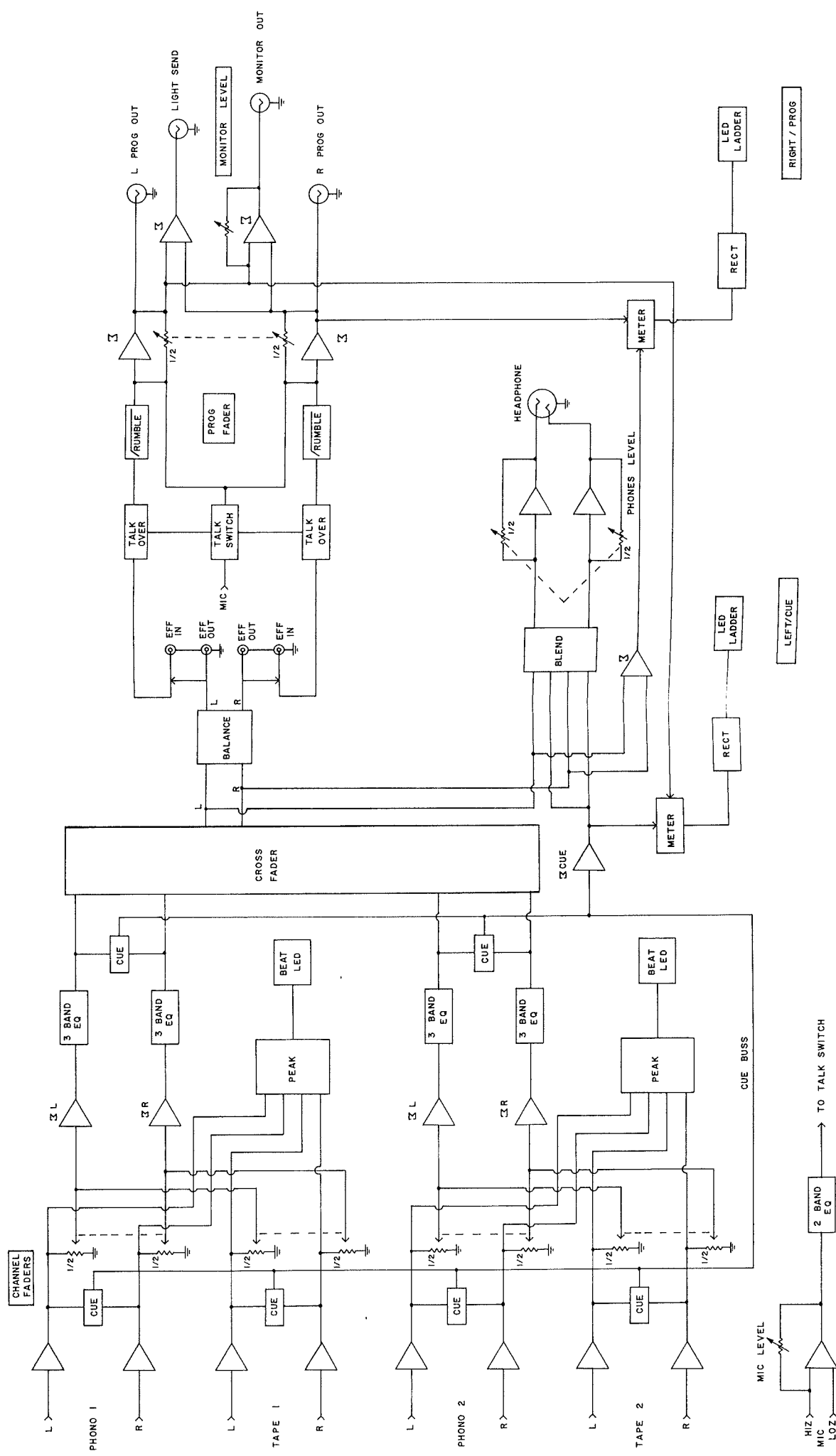
DO NOT SCALE DRAWING



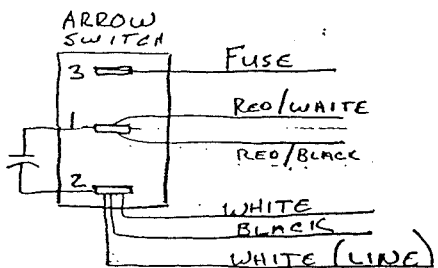
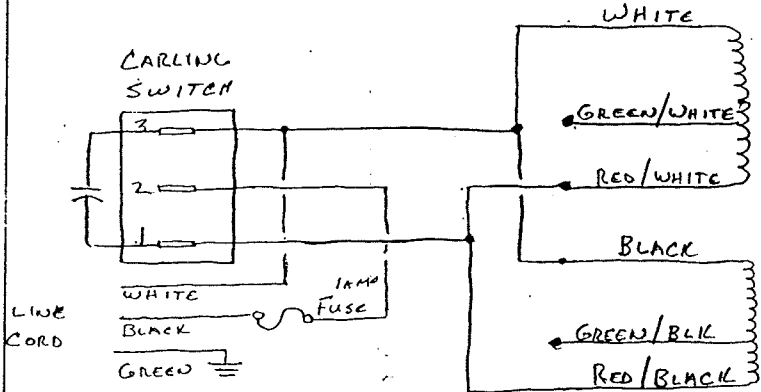
-15V DC  
 +15V DC  
 GND  
 RIGHT LED PCB  
 BEAT SYNC (MOTHER PCB)  
 R-OUT (MIC PCB)  
 LED-P (MOTHER PCB)  
 L-OUT (MIC PCB)  
 CUE BUSS (MOTHER PCB)

4000 L.E.D. BOARD  
 LAYOUT  
 2-8-83

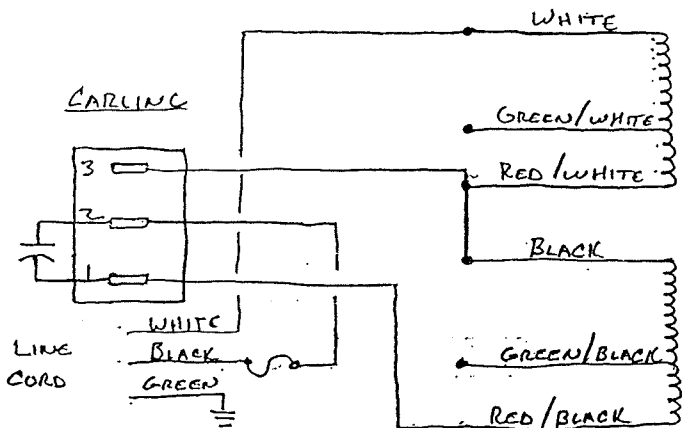




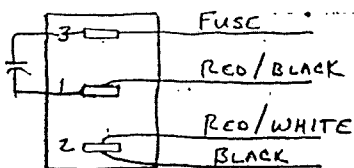
4000 DISCO MIXER  
BLOCK DIAGRAM



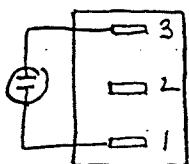
240 V DIAGRAM



ARROW



CARLING



ARROW

