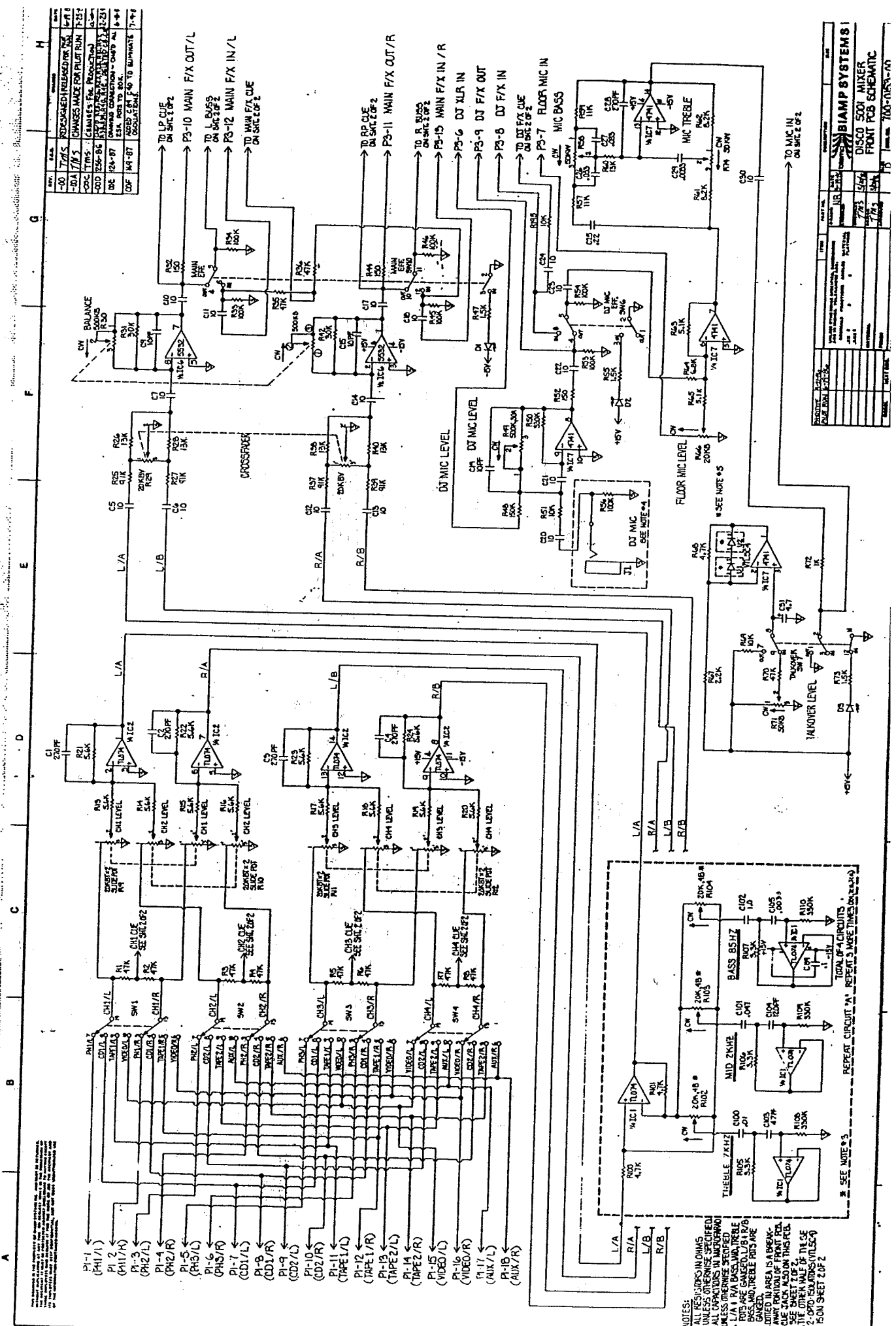


DJ 5001, 5500, 5600

Schematic

B I A M P[®]

S Y S T E M S



REF	MARK	DESCRIPTION	QTY
100	741CS	DESIGNED/REDESIGNED FOR THIS	4
101	741CS	CHANGES MADE FOR PILOT RUN	4
102	741CS	CHANGES MADE FOR PRODUCTION	4
103	741CS	CHANGES MADE FOR PRODUCTION	4
104	741CS	CHANGES MADE FOR PRODUCTION	4
105	741CS	CHANGES MADE FOR PRODUCTION	4
106	741CS	CHANGES MADE FOR PRODUCTION	4
107	741CS	CHANGES MADE FOR PRODUCTION	4
108	741CS	CHANGES MADE FOR PRODUCTION	4
109	741CS	CHANGES MADE FOR PRODUCTION	4
110	741CS	CHANGES MADE FOR PRODUCTION	4

REF	MARK	DESCRIPTION	QTY
101	741CS	CHANGES MADE FOR PILOT RUN	4
102	741CS	CHANGES MADE FOR PRODUCTION	4
103	741CS	CHANGES MADE FOR PRODUCTION	4
104	741CS	CHANGES MADE FOR PRODUCTION	4
105	741CS	CHANGES MADE FOR PRODUCTION	4
106	741CS	CHANGES MADE FOR PRODUCTION	4
107	741CS	CHANGES MADE FOR PRODUCTION	4
108	741CS	CHANGES MADE FOR PRODUCTION	4
109	741CS	CHANGES MADE FOR PRODUCTION	4
110	741CS	CHANGES MADE FOR PRODUCTION	4

REF	MARK	DESCRIPTION	QTY
101	741CS	CHANGES MADE FOR PILOT RUN	4
102	741CS	CHANGES MADE FOR PRODUCTION	4
103	741CS	CHANGES MADE FOR PRODUCTION	4
104	741CS	CHANGES MADE FOR PRODUCTION	4
105	741CS	CHANGES MADE FOR PRODUCTION	4
106	741CS	CHANGES MADE FOR PRODUCTION	4
107	741CS	CHANGES MADE FOR PRODUCTION	4
108	741CS	CHANGES MADE FOR PRODUCTION	4
109	741CS	CHANGES MADE FOR PRODUCTION	4
110	741CS	CHANGES MADE FOR PRODUCTION	4

REF	MARK	DESCRIPTION	QTY
101	741CS	CHANGES MADE FOR PILOT RUN	4
102	741CS	CHANGES MADE FOR PRODUCTION	4
103	741CS	CHANGES MADE FOR PRODUCTION	4
104	741CS	CHANGES MADE FOR PRODUCTION	4
105	741CS	CHANGES MADE FOR PRODUCTION	4
106	741CS	CHANGES MADE FOR PRODUCTION	4
107	741CS	CHANGES MADE FOR PRODUCTION	4
108	741CS	CHANGES MADE FOR PRODUCTION	4
109	741CS	CHANGES MADE FOR PRODUCTION	4
110	741CS	CHANGES MADE FOR PRODUCTION	4

REF	MARK	DESCRIPTION	QTY
101	741CS	CHANGES MADE FOR PILOT RUN	4
102	741CS	CHANGES MADE FOR PRODUCTION	4
103	741CS	CHANGES MADE FOR PRODUCTION	4
104	741CS	CHANGES MADE FOR PRODUCTION	4
105	741CS	CHANGES MADE FOR PRODUCTION	4
106	741CS	CHANGES MADE FOR PRODUCTION	4
107	741CS	CHANGES MADE FOR PRODUCTION	4
108	741CS	CHANGES MADE FOR PRODUCTION	4
109	741CS	CHANGES MADE FOR PRODUCTION	4
110	741CS	CHANGES MADE FOR PRODUCTION	4

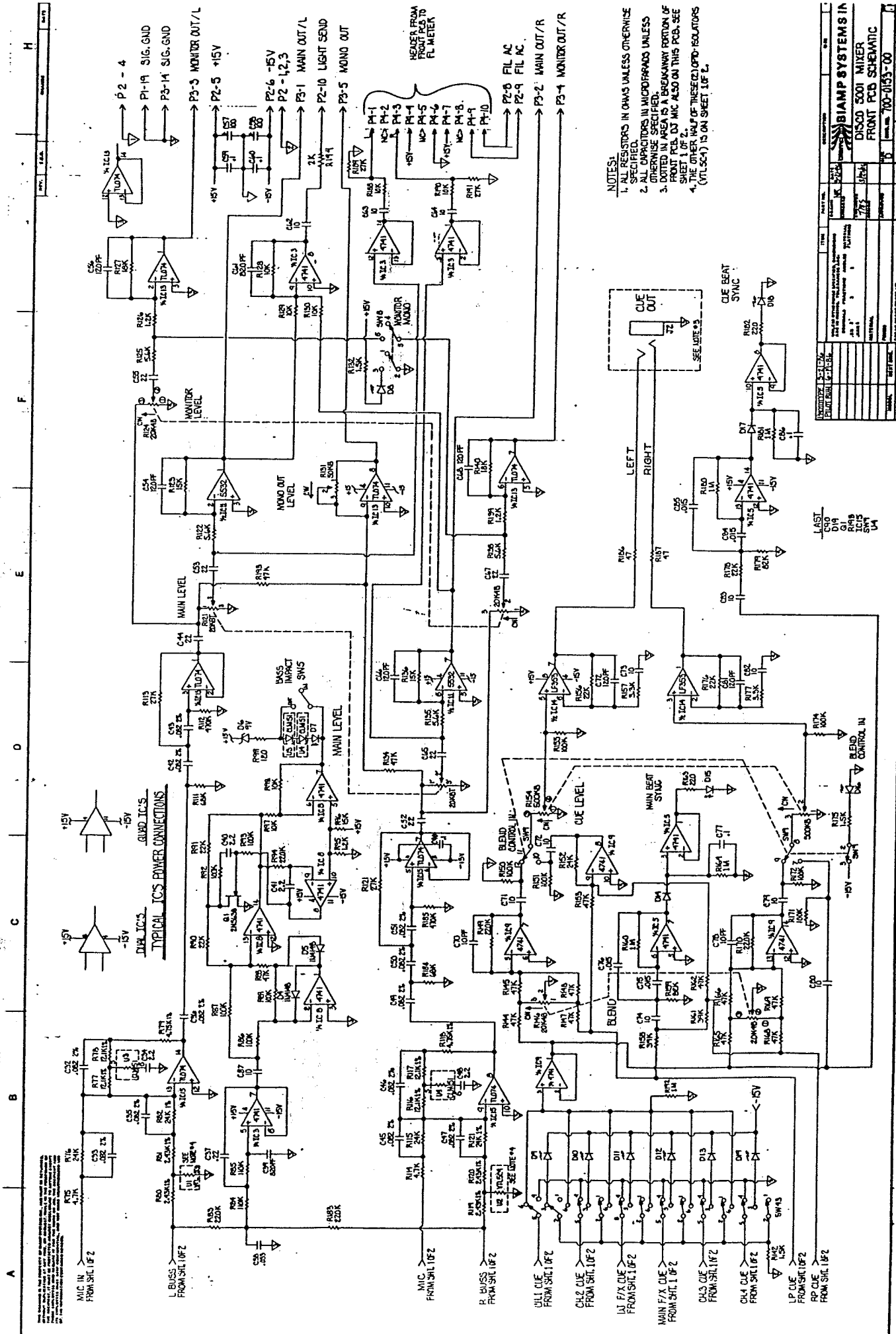
REF	MARK	DESCRIPTION	QTY
101	741CS	CHANGES MADE FOR PILOT RUN	4
102	741CS	CHANGES MADE FOR PRODUCTION	4
103	741CS	CHANGES MADE FOR PRODUCTION	4
104	741CS	CHANGES MADE FOR PRODUCTION	4
105	741CS	CHANGES MADE FOR PRODUCTION	4
106	741CS	CHANGES MADE FOR PRODUCTION	4
107	741CS	CHANGES MADE FOR PRODUCTION	4
108	741CS	CHANGES MADE FOR PRODUCTION	4
109	741CS	CHANGES MADE FOR PRODUCTION	4
110	741CS	CHANGES MADE FOR PRODUCTION	4

- NOTES:
1. ALL RESISTORS IN OHMS UNLESS OTHERWISE SPECIFIED.
 2. ALL CAPACITORS IN MICROFARADS UNLESS OTHERWISE SPECIFIED.
 3. L/A + R/A GANGED, L/B + R/B GANGED, TREBLE POTS ARE GANGED.
 4. DOTTED LINE AREA IS A REAR PANEL JACK ALSO ON THIS PANEL. THE DOTTED LINE IS TO BE CUT OUT IN THIS AREA.
 5. 2.000" DIA. PINS ARE TO BE CUT OUT IN THIS AREA.
 6. ON SHEET 2 OF 2.

BIAMP SYSTEMS
DISCO 500 MIXER
FRONT PCB SCHEMATIC

DATE: 7/73
DRAWN: [Name]
CHECKED: [Name]
APPROVED: [Name]

BIAMP SYSTEMS, INC.
1000 W. 10TH AVE.
DENVER, CO 80202

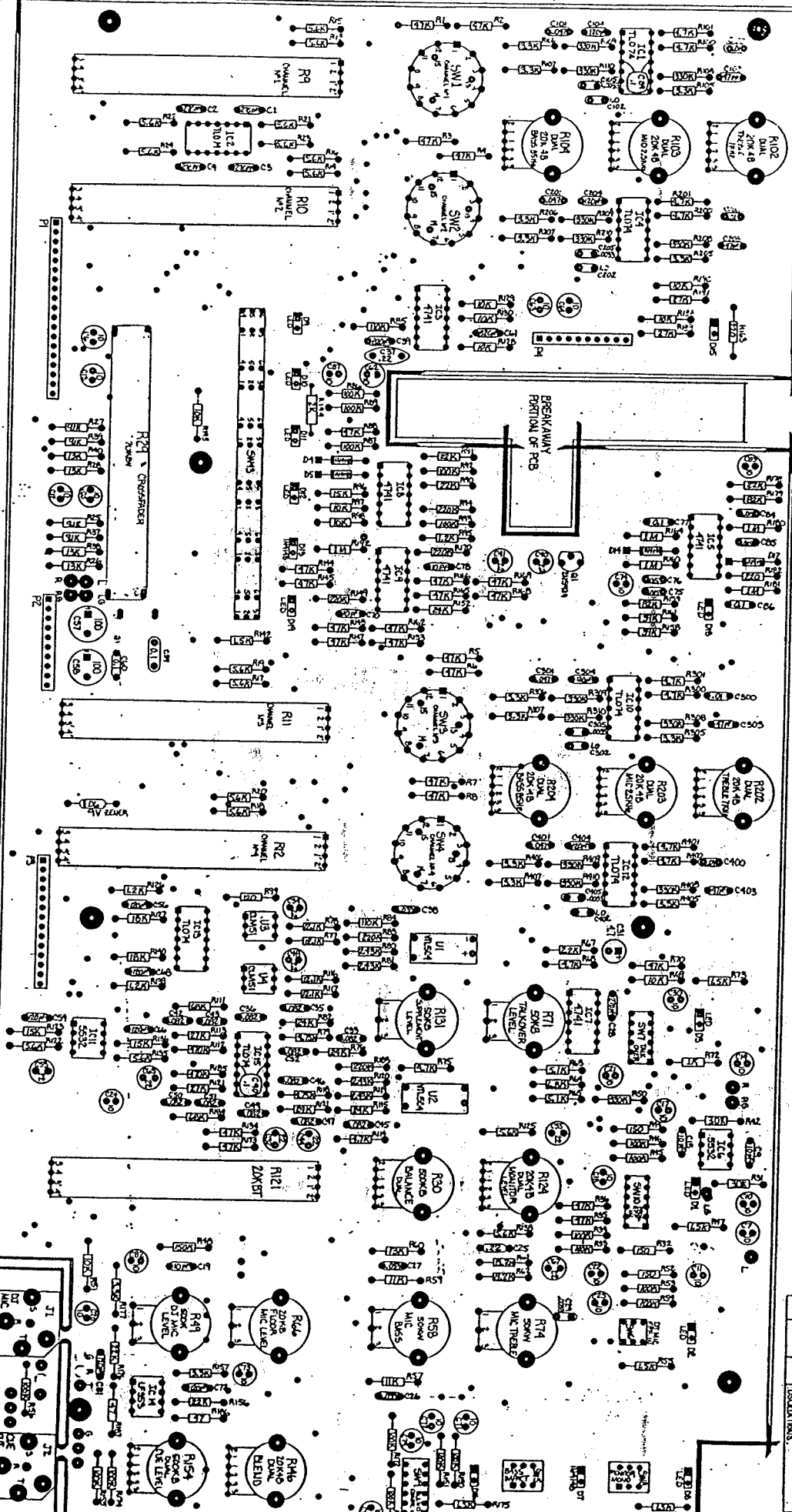


- NOTES:
1. ALL RESISTORS IN OHMS UNLESS OTHERWISE SPECIFIED.
 2. ALL CAPACITORS IN MICROFARADS UNLESS OTHERWISE SPECIFIED.
 3. DOTTED LINE AREA IS A BREAKAWAY PORTION OF SHEET PCB. D3 MIC ALSO ON THIS PCB. SEE SHEET 1 OF 2.
 4. THE OTHER HALF OF THESE (DIP) ISOLATORS (U15C4) IS ON SHEET 1 OF 2.

PROJECT NO.	DATE	REV.	BY	CHKD.
DISCO 5001 MIXER				
DESIGNED BY	DATE	REV.	BY	CHKD.
PCB LAYOUT				
TESTING				
ASSEMBLY				
INSPECTION				
DATE				
BY				
CHKD.				
DATE				
BY				
CHKD.				
DATE				
BY				
CHKD.				

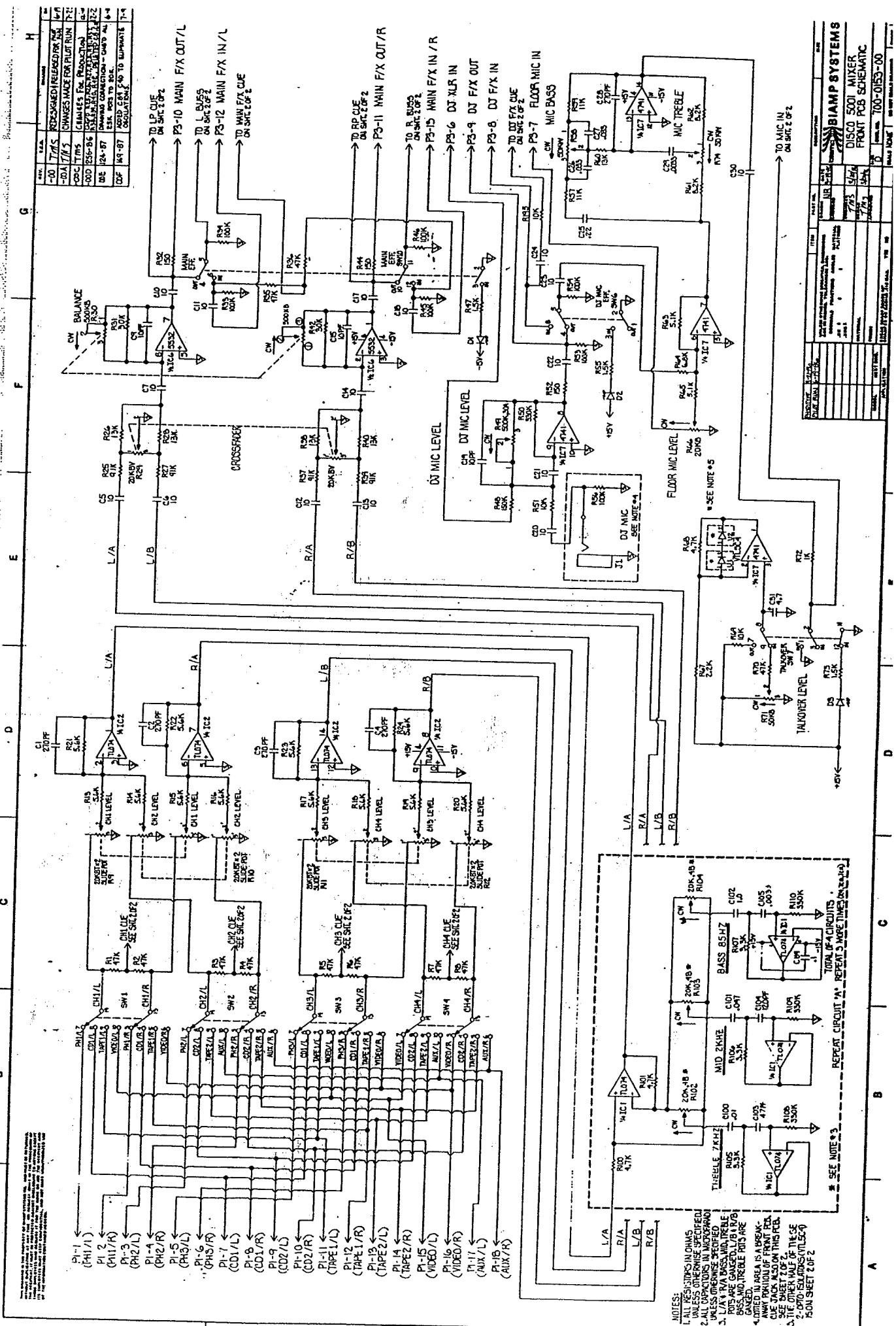
BIAMP SYSTEMS INC.
 DISCO 5001 MIXER
 FRONT PCB SCHEMATIC
 70
 700-0153-00

1. MIC IN FROM SHC 1 OF 2
 2. L BUSS FROM SHC 1 OF 2
 3. R BUSS FROM SHC 1 OF 2
 4. ULLI CUE FROM SHC 1 OF 2
 5. CH2 CUE FROM SHC 1 OF 2
 6. LW F/X CUE FROM SHC 1 OF 2
 7. MAIN F/X CUE FROM SHC 1 OF 2
 8. CUS CUE FROM SHC 1 OF 2
 9. CUL CUE FROM SHC 1 OF 2
 10. LP CUE FROM SHC 1 OF 2
 11. RP CUE FROM SHC 1 OF 2
 12. BLEND CONTROL IN FROM SHC 1 OF 2



REV	DATE	DESCRIPTION
001	10-1-68	ISSUED FOR PRODUCTION
002	10-1-68	REVISION 1
003	10-1-68	REVISION 2
004	10-1-68	REVISION 3
005	10-1-68	REVISION 4
006	10-1-68	REVISION 5
007	10-1-68	REVISION 6
008	10-1-68	REVISION 7
009	10-1-68	REVISION 8
010	10-1-68	REVISION 9
011	10-1-68	REVISION 10
012	10-1-68	REVISION 11
013	10-1-68	REVISION 12
014	10-1-68	REVISION 13
015	10-1-68	REVISION 14
016	10-1-68	REVISION 15
017	10-1-68	REVISION 16
018	10-1-68	REVISION 17
019	10-1-68	REVISION 18
020	10-1-68	REVISION 19
021	10-1-68	REVISION 20
022	10-1-68	REVISION 21
023	10-1-68	REVISION 22
024	10-1-68	REVISION 23
025	10-1-68	REVISION 24
026	10-1-68	REVISION 25
027	10-1-68	REVISION 26
028	10-1-68	REVISION 27
029	10-1-68	REVISION 28
030	10-1-68	REVISION 29
031	10-1-68	REVISION 30
032	10-1-68	REVISION 31
033	10-1-68	REVISION 32
034	10-1-68	REVISION 33
035	10-1-68	REVISION 34
036	10-1-68	REVISION 35
037	10-1-68	REVISION 36
038	10-1-68	REVISION 37
039	10-1-68	REVISION 38
040	10-1-68	REVISION 39
041	10-1-68	REVISION 40
042	10-1-68	REVISION 41
043	10-1-68	REVISION 42
044	10-1-68	REVISION 43
045	10-1-68	REVISION 44
046	10-1-68	REVISION 45
047	10-1-68	REVISION 46
048	10-1-68	REVISION 47
049	10-1-68	REVISION 48
050	10-1-68	REVISION 49
051	10-1-68	REVISION 50
052	10-1-68	REVISION 51
053	10-1-68	REVISION 52
054	10-1-68	REVISION 53
055	10-1-68	REVISION 54
056	10-1-68	REVISION 55
057	10-1-68	REVISION 56
058	10-1-68	REVISION 57
059	10-1-68	REVISION 58
060	10-1-68	REVISION 59
061	10-1-68	REVISION 60
062	10-1-68	REVISION 61
063	10-1-68	REVISION 62
064	10-1-68	REVISION 63
065	10-1-68	REVISION 64
066	10-1-68	REVISION 65
067	10-1-68	REVISION 66
068	10-1-68	REVISION 67
069	10-1-68	REVISION 68
070	10-1-68	REVISION 69
071	10-1-68	REVISION 70
072	10-1-68	REVISION 71
073	10-1-68	REVISION 72
074	10-1-68	REVISION 73
075	10-1-68	REVISION 74
076	10-1-68	REVISION 75
077	10-1-68	REVISION 76
078	10-1-68	REVISION 77
079	10-1-68	REVISION 78
080	10-1-68	REVISION 79
081	10-1-68	REVISION 80
082	10-1-68	REVISION 81
083	10-1-68	REVISION 82
084	10-1-68	REVISION 83
085	10-1-68	REVISION 84
086	10-1-68	REVISION 85
087	10-1-68	REVISION 86
088	10-1-68	REVISION 87
089	10-1-68	REVISION 88
090	10-1-68	REVISION 89
091	10-1-68	REVISION 90
092	10-1-68	REVISION 91
093	10-1-68	REVISION 92
094	10-1-68	REVISION 93
095	10-1-68	REVISION 94
096	10-1-68	REVISION 95
097	10-1-68	REVISION 96
098	10-1-68	REVISION 97
099	10-1-68	REVISION 98
100	10-1-68	REVISION 99
101	10-1-68	REVISION 100

Blomkamp
 WARMUP UNIT
 2500 FRONT RD ASSY
 70-0153-00



REV.	DATE	DESCRIPTION
-00	7/83	REDESIGNED RELEASED FOR NIA
-01	7/83	CHANGES MADE FOR PILOT RUN
-02	7/83	CHANGES FOR PRODUCTION
-03	7/83	ADD 15V SUPPLY TO IC1-IC7
-04	7/83	ADD 15V SUPPLY TO IC1-IC7
-05	7/83	ADD 15V SUPPLY TO IC1-IC7
-06	7/83	ADD 15V SUPPLY TO IC1-IC7
-07	7/83	ADD 15V SUPPLY TO IC1-IC7
-08	7/83	ADD 15V SUPPLY TO IC1-IC7
-09	7/83	ADD 15V SUPPLY TO IC1-IC7
-10	7/83	ADD 15V SUPPLY TO IC1-IC7

REV.	DATE	DESCRIPTION
-11	7/83	ADD 15V SUPPLY TO IC1-IC7
-12	7/83	ADD 15V SUPPLY TO IC1-IC7
-13	7/83	ADD 15V SUPPLY TO IC1-IC7
-14	7/83	ADD 15V SUPPLY TO IC1-IC7
-15	7/83	ADD 15V SUPPLY TO IC1-IC7
-16	7/83	ADD 15V SUPPLY TO IC1-IC7
-17	7/83	ADD 15V SUPPLY TO IC1-IC7
-18	7/83	ADD 15V SUPPLY TO IC1-IC7
-19	7/83	ADD 15V SUPPLY TO IC1-IC7
-20	7/83	ADD 15V SUPPLY TO IC1-IC7

REV.	DATE	DESCRIPTION
-21	7/83	ADD 15V SUPPLY TO IC1-IC7
-22	7/83	ADD 15V SUPPLY TO IC1-IC7
-23	7/83	ADD 15V SUPPLY TO IC1-IC7
-24	7/83	ADD 15V SUPPLY TO IC1-IC7
-25	7/83	ADD 15V SUPPLY TO IC1-IC7
-26	7/83	ADD 15V SUPPLY TO IC1-IC7
-27	7/83	ADD 15V SUPPLY TO IC1-IC7
-28	7/83	ADD 15V SUPPLY TO IC1-IC7
-29	7/83	ADD 15V SUPPLY TO IC1-IC7
-30	7/83	ADD 15V SUPPLY TO IC1-IC7

REV.	DATE	DESCRIPTION
-31	7/83	ADD 15V SUPPLY TO IC1-IC7
-32	7/83	ADD 15V SUPPLY TO IC1-IC7
-33	7/83	ADD 15V SUPPLY TO IC1-IC7
-34	7/83	ADD 15V SUPPLY TO IC1-IC7
-35	7/83	ADD 15V SUPPLY TO IC1-IC7
-36	7/83	ADD 15V SUPPLY TO IC1-IC7
-37	7/83	ADD 15V SUPPLY TO IC1-IC7
-38	7/83	ADD 15V SUPPLY TO IC1-IC7
-39	7/83	ADD 15V SUPPLY TO IC1-IC7
-40	7/83	ADD 15V SUPPLY TO IC1-IC7

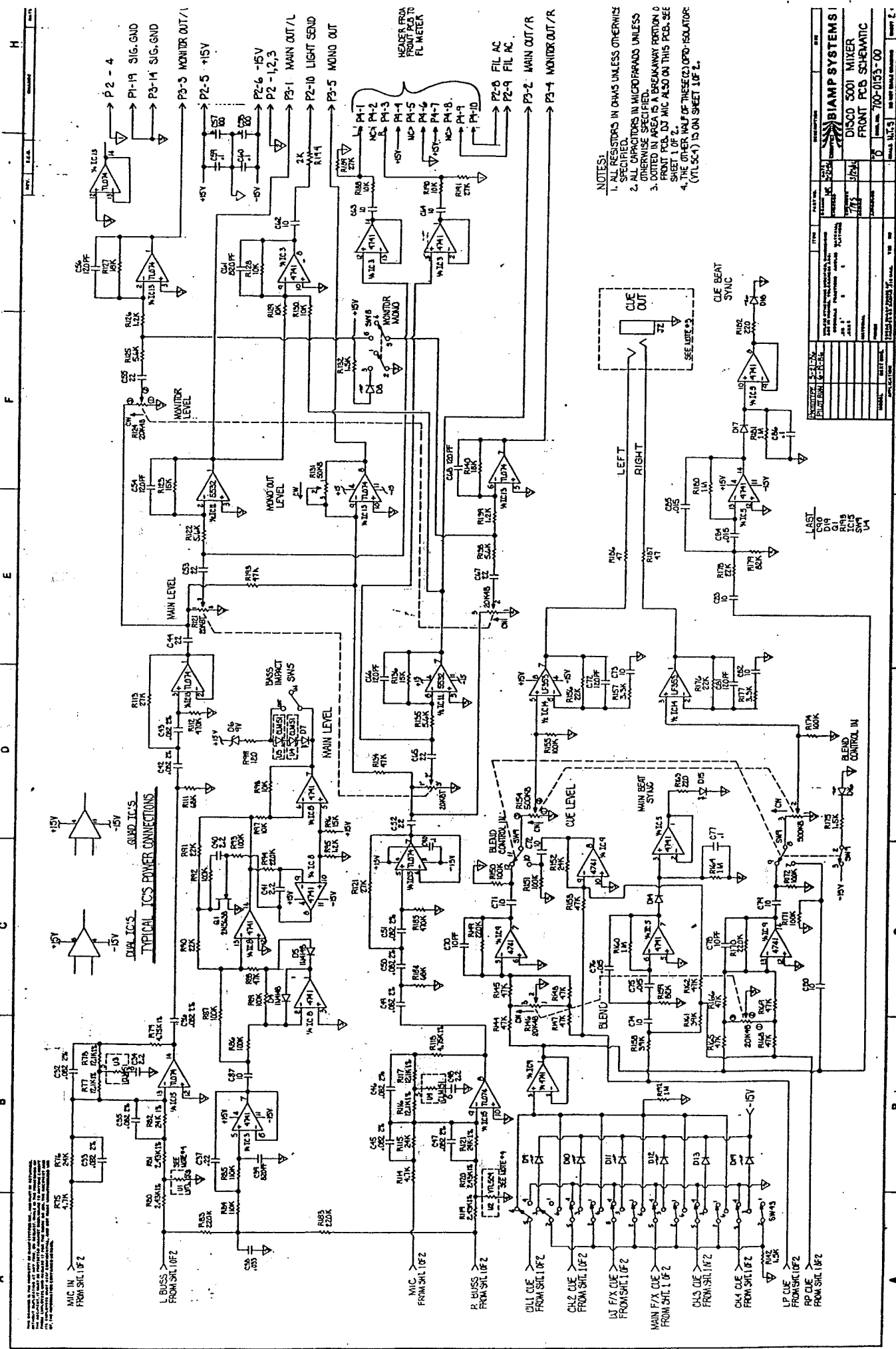
REV.	DATE	DESCRIPTION
-41	7/83	ADD 15V SUPPLY TO IC1-IC7
-42	7/83	ADD 15V SUPPLY TO IC1-IC7
-43	7/83	ADD 15V SUPPLY TO IC1-IC7
-44	7/83	ADD 15V SUPPLY TO IC1-IC7
-45	7/83	ADD 15V SUPPLY TO IC1-IC7
-46	7/83	ADD 15V SUPPLY TO IC1-IC7
-47	7/83	ADD 15V SUPPLY TO IC1-IC7
-48	7/83	ADD 15V SUPPLY TO IC1-IC7
-49	7/83	ADD 15V SUPPLY TO IC1-IC7
-50	7/83	ADD 15V SUPPLY TO IC1-IC7

REV.	DATE	DESCRIPTION
-51	7/83	ADD 15V SUPPLY TO IC1-IC7
-52	7/83	ADD 15V SUPPLY TO IC1-IC7
-53	7/83	ADD 15V SUPPLY TO IC1-IC7
-54	7/83	ADD 15V SUPPLY TO IC1-IC7
-55	7/83	ADD 15V SUPPLY TO IC1-IC7
-56	7/83	ADD 15V SUPPLY TO IC1-IC7
-57	7/83	ADD 15V SUPPLY TO IC1-IC7
-58	7/83	ADD 15V SUPPLY TO IC1-IC7
-59	7/83	ADD 15V SUPPLY TO IC1-IC7
-60	7/83	ADD 15V SUPPLY TO IC1-IC7

NOTES:
 1. ALL RESISTORS IN OHMS UNLESS OTHERWISE SPECIFIED
 2. ALL CAPACITORS IN MICROFARADS UNLESS OTHERWISE SPECIFIED
 3. L/A V/A BASS AND TREBLE POT ARE GAUGED L/R R/B GAUGED
 4. DOTTED IN AREA IS A BREAK-AWAY PORTION OF FRONT PCB. GUE JACK ALSO ON THIS PCB.
 5. THE OTHER JACK IS THE SAME OTHER JACK.
 6. SEE NOTE #3
 7. REPEAT CIRCUIT 'A' REPEAT 3 MORE TIMES ON THIS PCB.
 8. TOTAL OF 4 CIRCUITS
 9. REPEAT CIRCUIT 'A' REPEAT 3 MORE TIMES ON THIS PCB.
 10. 2-070-518 (MIXER) PCB
 11. FROM SHEET 2 OF 2

REV.	DATE	DESCRIPTION
-00	7/83	DISCO 5001 MIXER FRONT PCB SCHEMATIC
-01	7/83	DISCO 5001 MIXER FRONT PCB SCHEMATIC
-02	7/83	DISCO 5001 MIXER FRONT PCB SCHEMATIC
-03	7/83	DISCO 5001 MIXER FRONT PCB SCHEMATIC
-04	7/83	DISCO 5001 MIXER FRONT PCB SCHEMATIC
-05	7/83	DISCO 5001 MIXER FRONT PCB SCHEMATIC
-06	7/83	DISCO 5001 MIXER FRONT PCB SCHEMATIC
-07	7/83	DISCO 5001 MIXER FRONT PCB SCHEMATIC
-08	7/83	DISCO 5001 MIXER FRONT PCB SCHEMATIC
-09	7/83	DISCO 5001 MIXER FRONT PCB SCHEMATIC
-10	7/83	DISCO 5001 MIXER FRONT PCB SCHEMATIC

BIAMP SYSTEMS
 DISCO 5001 MIXER
 FRONT PCB SCHEMATIC
 700-0185-00



- NOTES:
1. ALL RESISTORS IN OHMS UNLESS OTHERWISE SPECIFIED.
 2. ALL CAPACITORS IN MICROFARADS UNLESS OTHERWISE SPECIFIED.
 3. OTHERS IN AREA IS A BREAKAWAY REGION 0 FRONT PCB. D7 MIC ALSO ON THIS PCB. SEE SHEET 1 OF 2.
 4. THE OTHER HALF OF THESE (D7) OPD-INSULATOR (VLS-CA) IS ON SHEET 1 OF 2.

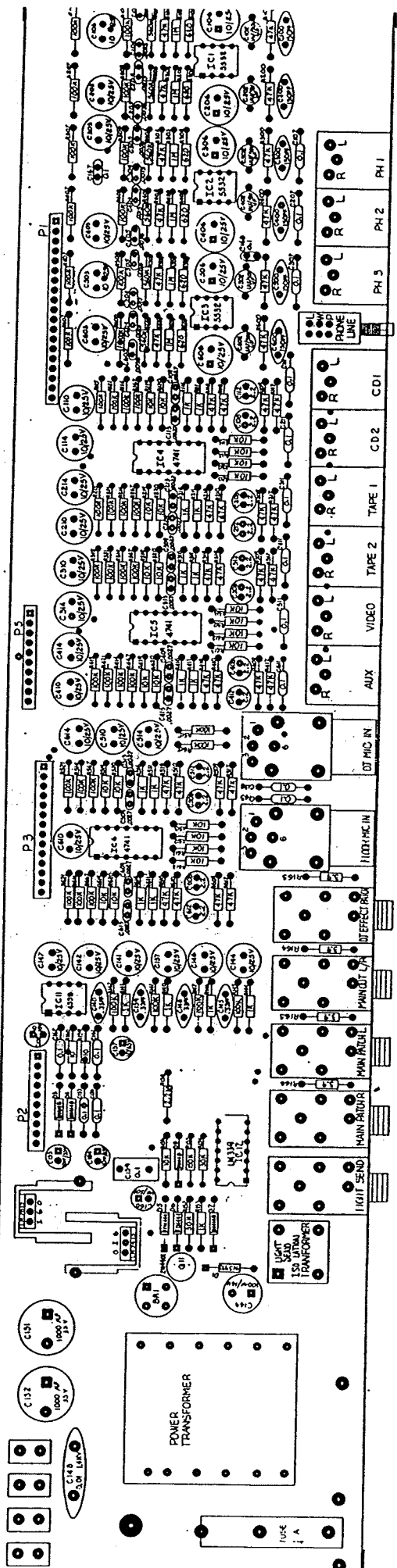
BIAMP SYSTEMS	
DISCO 5001 MIXER	FRONT PCB SCHEMATIC
REV. 1	DATE: 7/73
DESIGNED BY: [Name]	DATE: [Date]
DRAWN BY: [Name]	DATE: [Date]
CHECKED BY: [Name]	DATE: [Date]
APPROVED BY: [Name]	DATE: [Date]
BIAMP SYSTEMS	700-0153-00

COMPONENT	VALUE	REF. DES.
D7	OPD-INSULATOR	1A
D8	OPD-INSULATOR	1A
D9	OPD-INSULATOR	1A
D10	OPD-INSULATOR	1A
D11	OPD-INSULATOR	1A
D12	OPD-INSULATOR	1A
D13	OPD-INSULATOR	1A
D14	OPD-INSULATOR	1A
D15	OPD-INSULATOR	1A
D16	OPD-INSULATOR	1A
D17	OPD-INSULATOR	1A
D18	OPD-INSULATOR	1A
D19	OPD-INSULATOR	1A
D20	OPD-INSULATOR	1A
D21	OPD-INSULATOR	1A
D22	OPD-INSULATOR	1A
D23	OPD-INSULATOR	1A
D24	OPD-INSULATOR	1A
D25	OPD-INSULATOR	1A
D26	OPD-INSULATOR	1A
D27	OPD-INSULATOR	1A
D28	OPD-INSULATOR	1A
D29	OPD-INSULATOR	1A
D30	OPD-INSULATOR	1A
D31	OPD-INSULATOR	1A
D32	OPD-INSULATOR	1A
D33	OPD-INSULATOR	1A
D34	OPD-INSULATOR	1A
D35	OPD-INSULATOR	1A
D36	OPD-INSULATOR	1A
D37	OPD-INSULATOR	1A
D38	OPD-INSULATOR	1A
D39	OPD-INSULATOR	1A
D40	OPD-INSULATOR	1A
D41	OPD-INSULATOR	1A
D42	OPD-INSULATOR	1A
D43	OPD-INSULATOR	1A
D44	OPD-INSULATOR	1A
D45	OPD-INSULATOR	1A
D46	OPD-INSULATOR	1A
D47	OPD-INSULATOR	1A
D48	OPD-INSULATOR	1A
D49	OPD-INSULATOR	1A
D50	OPD-INSULATOR	1A
D51	OPD-INSULATOR	1A
D52	OPD-INSULATOR	1A
D53	OPD-INSULATOR	1A
D54	OPD-INSULATOR	1A
D55	OPD-INSULATOR	1A
D56	OPD-INSULATOR	1A
D57	OPD-INSULATOR	1A
D58	OPD-INSULATOR	1A
D59	OPD-INSULATOR	1A
D60	OPD-INSULATOR	1A
D61	OPD-INSULATOR	1A
D62	OPD-INSULATOR	1A
D63	OPD-INSULATOR	1A
D64	OPD-INSULATOR	1A
D65	OPD-INSULATOR	1A
D66	OPD-INSULATOR	1A
D67	OPD-INSULATOR	1A
D68	OPD-INSULATOR	1A
D69	OPD-INSULATOR	1A
D70	OPD-INSULATOR	1A
D71	OPD-INSULATOR	1A
D72	OPD-INSULATOR	1A
D73	OPD-INSULATOR	1A
D74	OPD-INSULATOR	1A
D75	OPD-INSULATOR	1A
D76	OPD-INSULATOR	1A
D77	OPD-INSULATOR	1A
D78	OPD-INSULATOR	1A
D79	OPD-INSULATOR	1A
D80	OPD-INSULATOR	1A
D81	OPD-INSULATOR	1A
D82	OPD-INSULATOR	1A
D83	OPD-INSULATOR	1A
D84	OPD-INSULATOR	1A
D85	OPD-INSULATOR	1A
D86	OPD-INSULATOR	1A
D87	OPD-INSULATOR	1A
D88	OPD-INSULATOR	1A
D89	OPD-INSULATOR	1A
D90	OPD-INSULATOR	1A
D91	OPD-INSULATOR	1A
D92	OPD-INSULATOR	1A
D93	OPD-INSULATOR	1A
D94	OPD-INSULATOR	1A
D95	OPD-INSULATOR	1A
D96	OPD-INSULATOR	1A
D97	OPD-INSULATOR	1A
D98	OPD-INSULATOR	1A
D99	OPD-INSULATOR	1A
D100	OPD-INSULATOR	1A

COMPONENT	VALUE	REF. DES.
R1	20K	R1
R2	20K	R2
R3	20K	R3
R4	20K	R4
R5	20K	R5
R6	20K	R6
R7	20K	R7
R8	20K	R8
R9	20K	R9
R10	20K	R10
R11	20K	R11
R12	20K	R12
R13	20K	R13
R14	20K	R14
R15	20K	R15
R16	20K	R16
R17	20K	R17
R18	20K	R18
R19	20K	R19
R20	20K	R20
R21	20K	R21
R22	20K	R22
R23	20K	R23
R24	20K	R24
R25	20K	R25
R26	20K	R26
R27	20K	R27
R28	20K	R28
R29	20K	R29
R30	20K	R30
R31	20K	R31
R32	20K	R32
R33	20K	R33
R34	20K	R34
R35	20K	R35
R36	20K	R36
R37	20K	R37
R38	20K	R38
R39	20K	R39
R40	20K	R40
R41	20K	R41
R42	20K	R42
R43	20K	R43
R44	20K	R44
R45	20K	R45
R46	20K	R46
R47	20K	R47
R48	20K	R48
R49	20K	R49
R50	20K	R50
R51	20K	R51
R52	20K	R52
R53	20K	R53
R54	20K	R54
R55	20K	R55
R56	20K	R56
R57	20K	R57
R58	20K	R58
R59	20K	R59
R60	20K	R60
R61	20K	R61
R62	20K	R62
R63	20K	R63
R64	20K	R64
R65	20K	R65
R66	20K	R66
R67	20K	R67
R68	20K	R68
R69	20K	R69
R70	20K	R70
R71	20K	R71
R72	20K	R72
R73	20K	R73
R74	20K	R74
R75	20K	R75
R76	20K	R76
R77	20K	R77
R78	20K	R78
R79	20K	R79
R80	20K	R80
R81	20K	R81
R82	20K	R82
R83	20K	R83
R84	20K	R84
R85	20K	R85
R86	20K	R86
R87	20K	R87
R88	20K	R88
R89	20K	R89
R90	20K	R90
R91	20K	R91
R92	20K	R92
R93	20K	R93
R94	20K	R94
R95	20K	R95
R96	20K	R96
R97	20K	R97
R98	20K	R98
R99	20K	R99
R100	20K	R100

REV	A	DATE	01/01/87	DESCRIPTION	MOVED GILKISON PCB FROM
REV	B	DATE	02/01/87	DESCRIPTION	CHANGED ELECTRONIC PARTS
REV	C	DATE	03/01/87	DESCRIPTION	ADDED 555 TIMER AND 555

REDUCE TO 16.000"

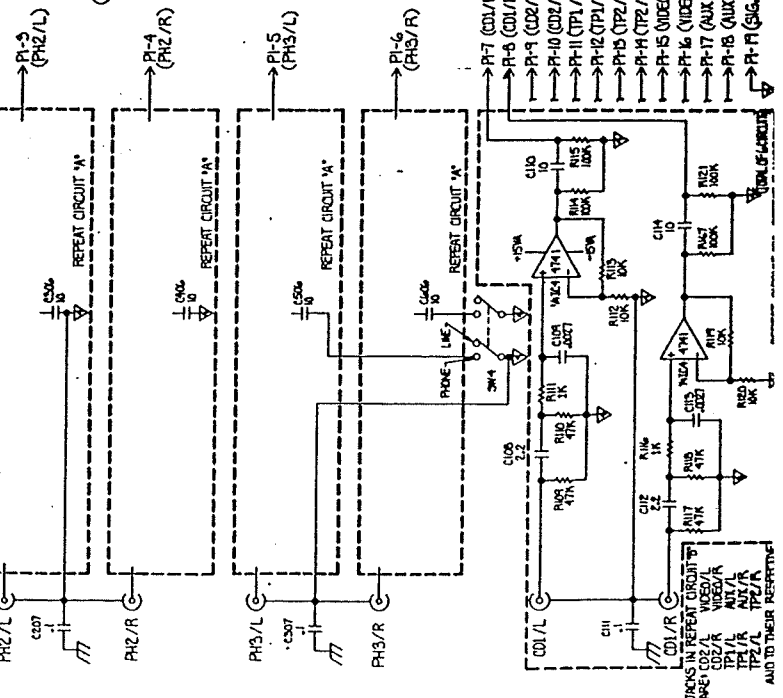
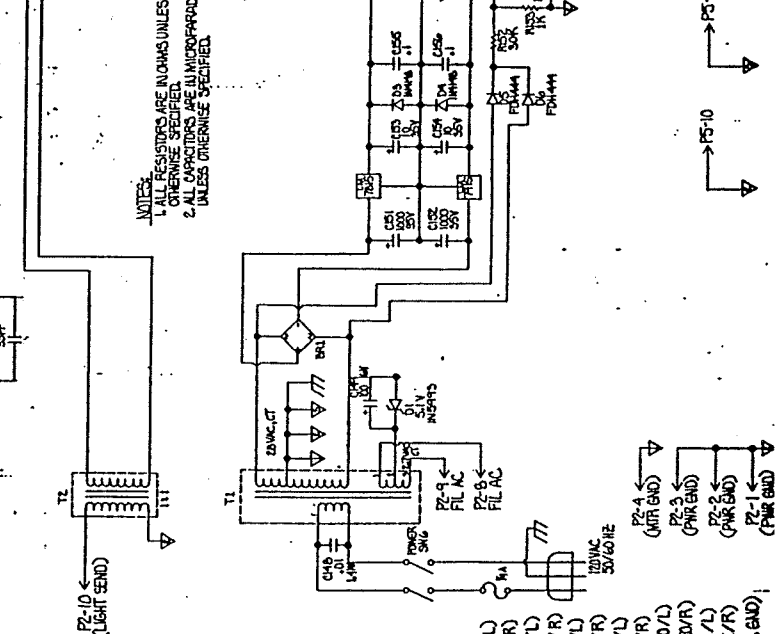
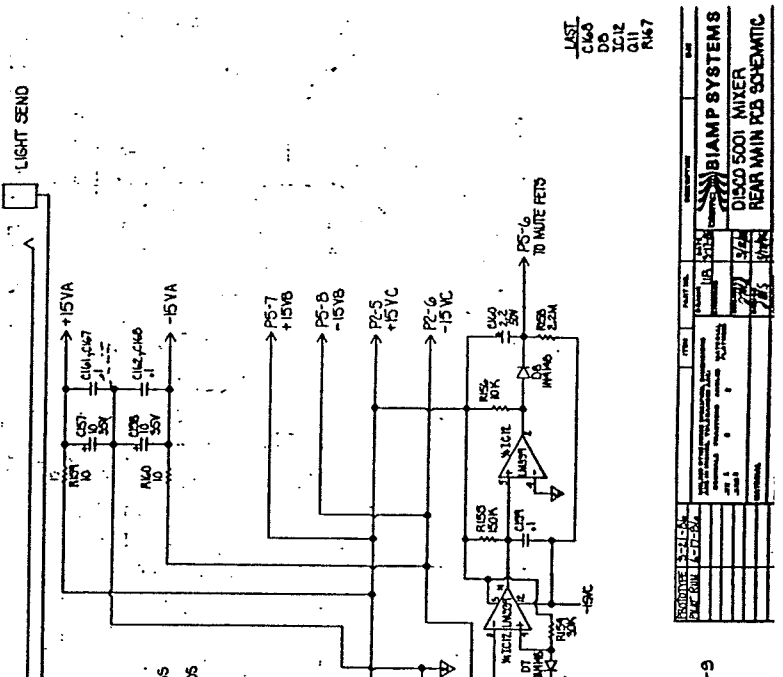
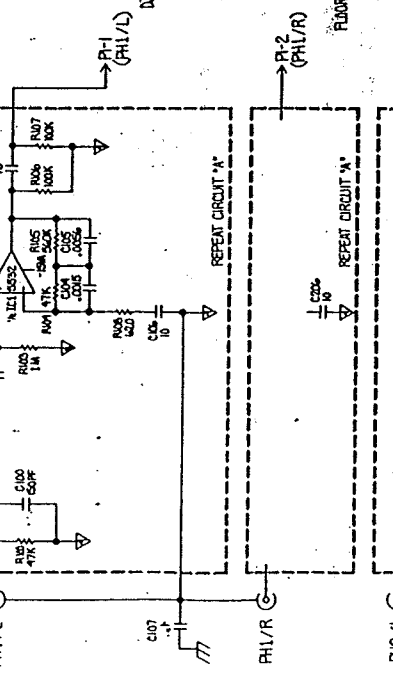
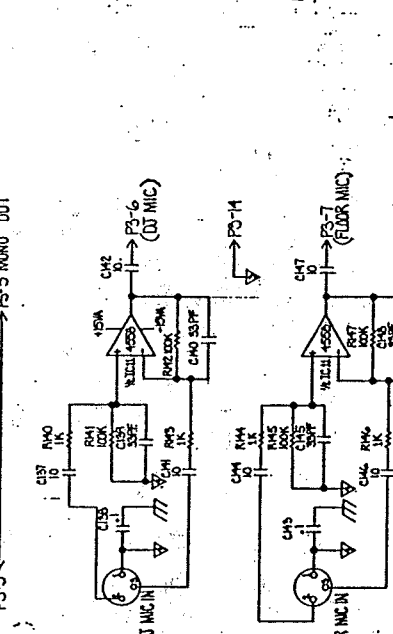
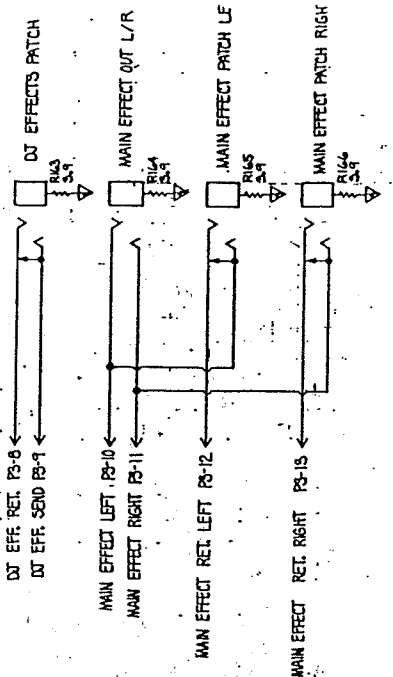
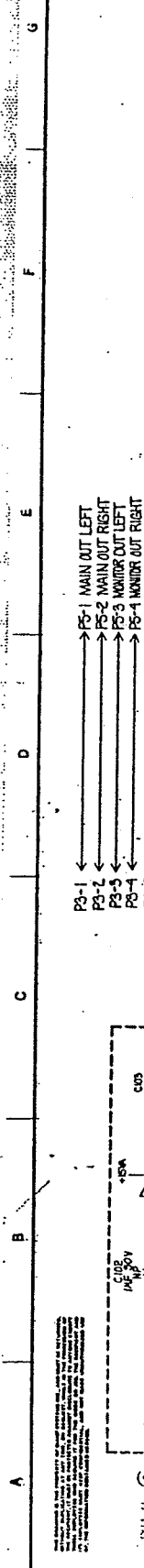


REDUCE TO 9.500"

blompp
 COMPONENT LAYOUT DISCO 5
 REAR MAIN PCB ASSEMBLY
 701-054-01

PRODUCTION 8-12-86

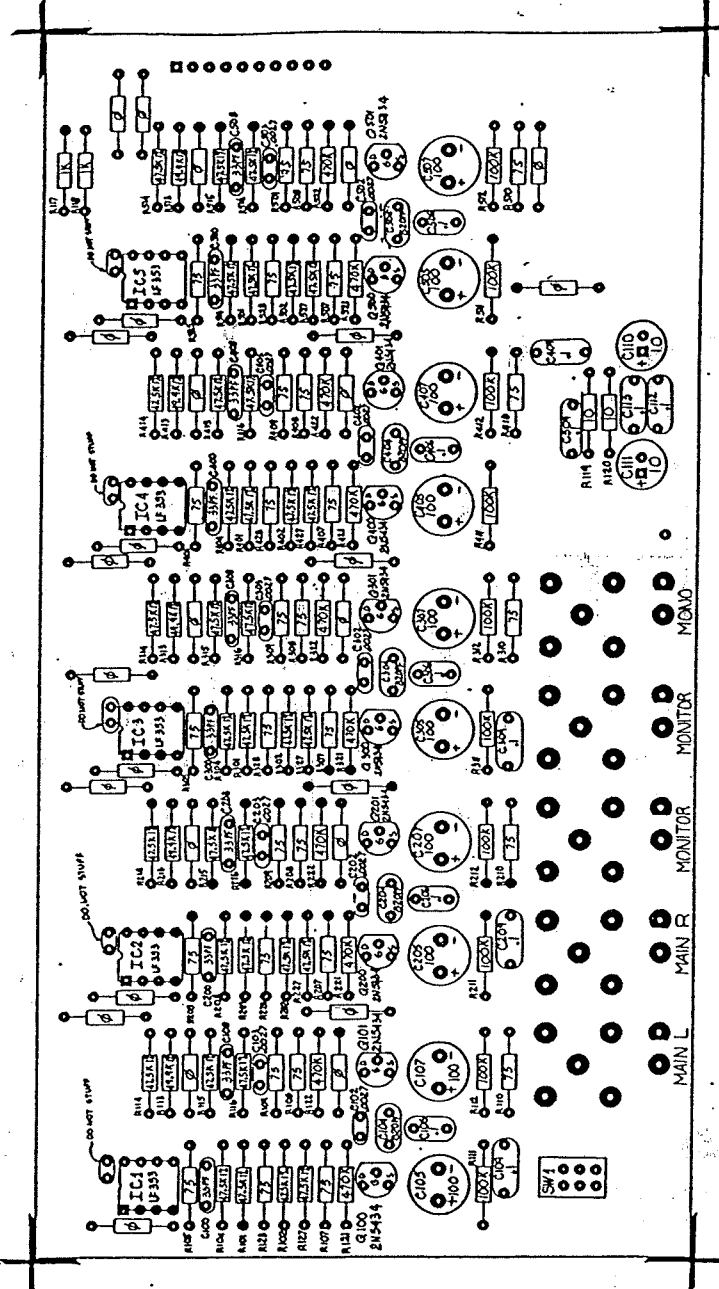
DATE	BY	REVISION
11		
A	B	7/83
C	B	7/83
D	B	7/83
E	B	7/83
F	B	7/83
G	B	7/83




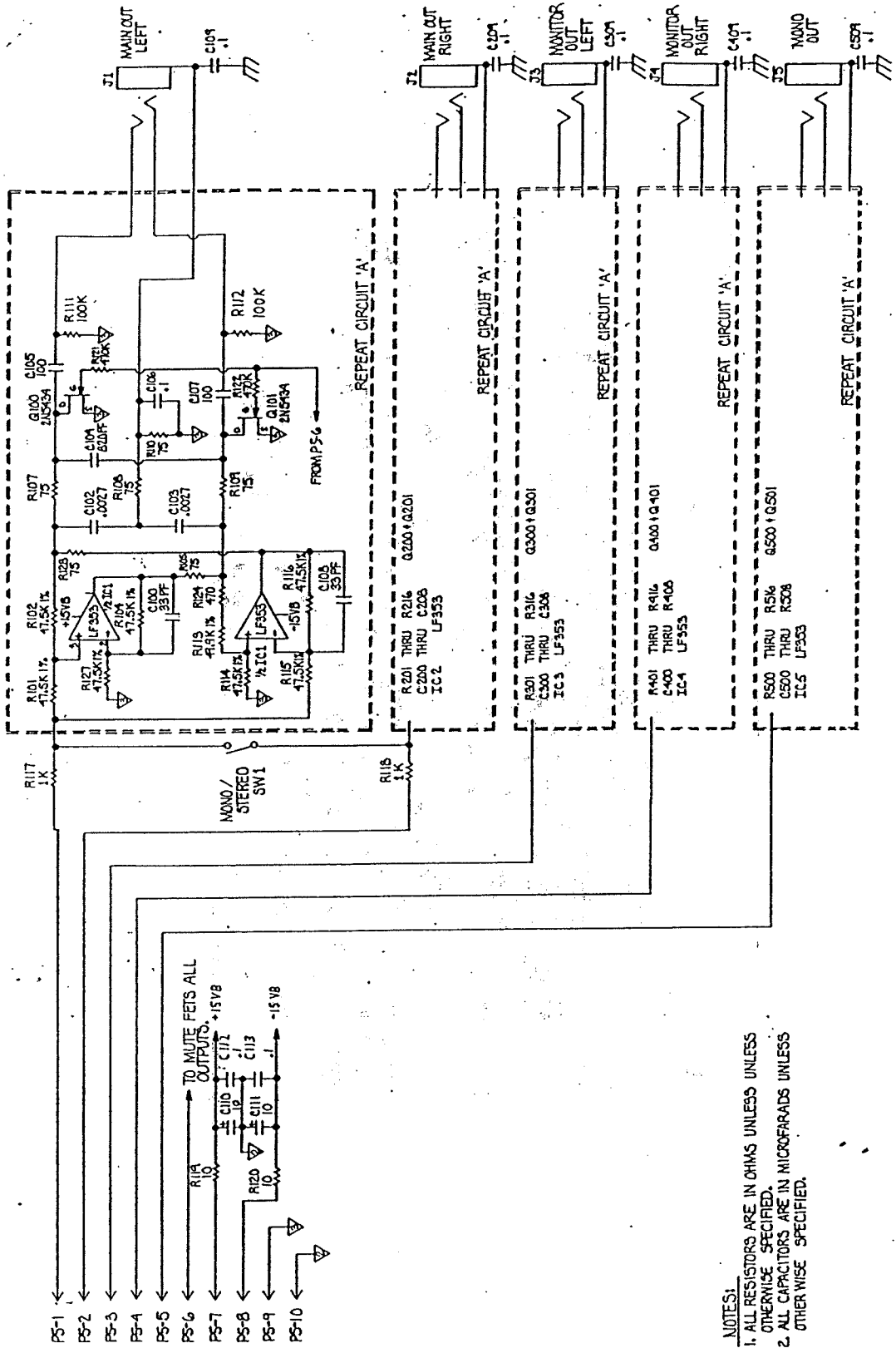
LAST
 C160
 D18
 IC12
 Q11
 RM7

REVISED	DATE	BY	REVISION
1			
2			
3			
4			
5			
6			
7			
8			
9			
10			
11			
12			
13			
14			
15			
16			
17			
18			
19			
20			

BIAMP SYSTEMS
 DISCO 5001 MIXER
 REAR MAIN PCB SCHEMATIC




BIAMP SYSTEMS
 6-20-94
 6-18-94
 9-03-96
 DATE: 9-03-96
 BY: JJA
 COMPONENT LAYOUT
 DISCO 5701 REAR JACK PCB | 701-01



NOTES:
 1. ALL RESISTORS ARE IN OHMS UNLESS OTHERWISE SPECIFIED.
 2. ALL CAPACITORS ARE IN MICROFARADS UNLESS OTHERWISE SPECIFIED.

LAST
 C115
 J5
 IC5
 R125, 121, 128
 SW1
 Q101

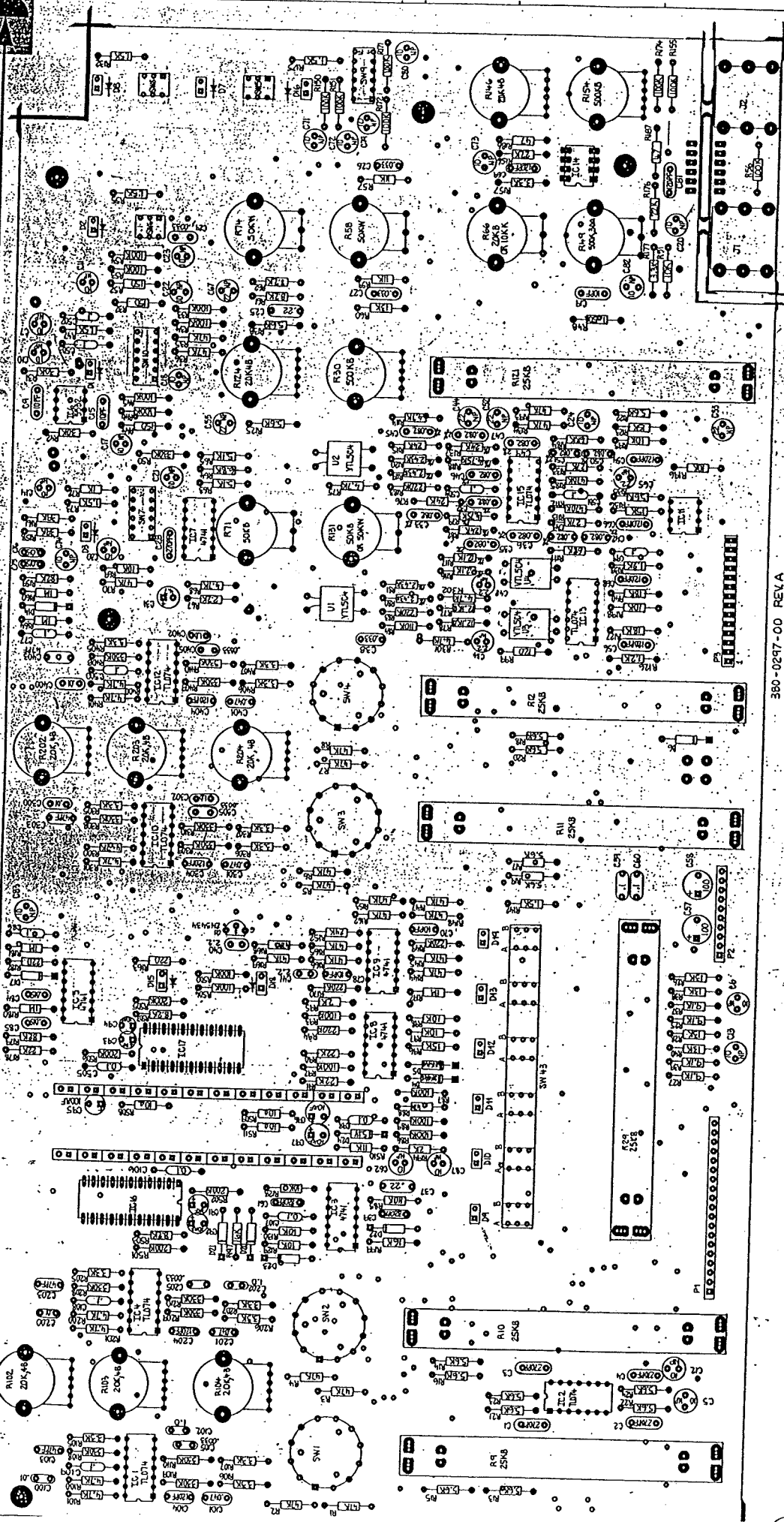
PLUTRON 4-20-96	REV	DATE	BY
PROTOTYPE 4-10-96	1	4-10-96	WJ
REV	DATE	BY	REASON
REV 4-7-96	A	4-7-96	CHANGED FROM 2N3638 TO 2N3638
REV 4-7-96	B	4-7-96	CHANGED FROM 2N3638 TO 2N3638
REV 4-7-96	C	4-7-96	CHANGED FROM 2N3638 TO 2N3638

DISCO 5001 REAR JACK PCB 700-0155-02

Reduce to 16.00 inches

380-0297-00 REV.A

blamp SYSTEMS, INC.
11000 S.W. 15th St.
Miami, FL 33187
Phone: (305) 851-1100
Fax: (305) 851-1101
Internet: www.blamp.com



MASTER PAD

blamp SYSTEMS, INC.
11000 S.W. 15th St.
Miami, FL 33187
Phone: (305) 851-1100
Fax: (305) 851-1101
Internet: www.blamp.com

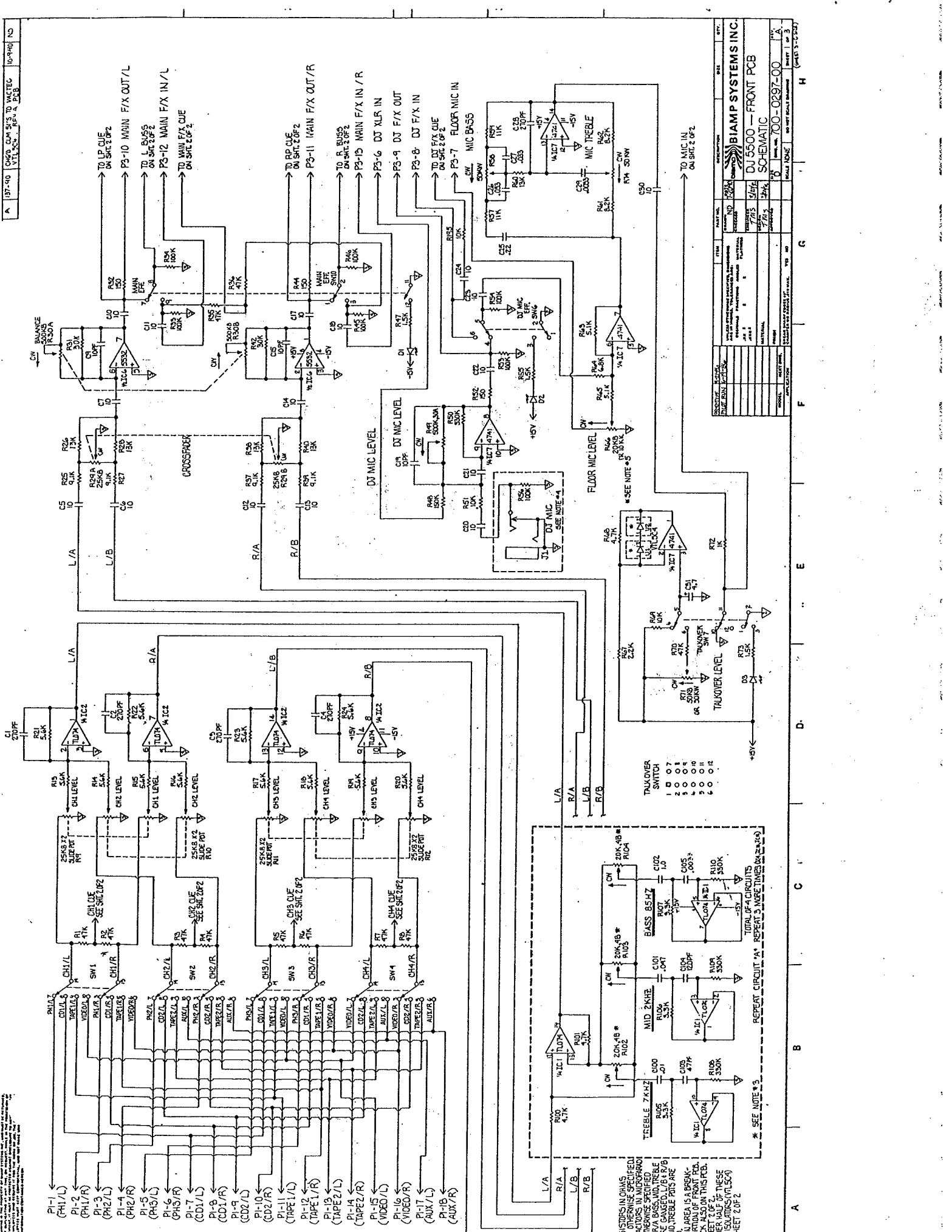
COMPONENT LAYOUT

DJ15500 FRONT PCB

REV. NO.	REV. DATE	REV. BY	REV. DESCRIPTION
1			
2			
3			
4			
5			
6			

Sheet 2X of 2X

380-0297-00 REV.A



REV.	DATE	DESCRIPTION
1	11/25/78	INITIAL DESIGN
2	1/15/79	REVISIONS TO MEET CUSTOMER REQUIREMENTS
3	2/15/79	REVISIONS TO MEET CUSTOMER REQUIREMENTS
4	3/15/79	REVISIONS TO MEET CUSTOMER REQUIREMENTS
5	4/15/79	REVISIONS TO MEET CUSTOMER REQUIREMENTS
6	5/15/79	REVISIONS TO MEET CUSTOMER REQUIREMENTS
7	6/15/79	REVISIONS TO MEET CUSTOMER REQUIREMENTS
8	7/15/79	REVISIONS TO MEET CUSTOMER REQUIREMENTS
9	8/15/79	REVISIONS TO MEET CUSTOMER REQUIREMENTS
10	9/15/79	REVISIONS TO MEET CUSTOMER REQUIREMENTS
11	10/15/79	REVISIONS TO MEET CUSTOMER REQUIREMENTS
12	11/15/79	REVISIONS TO MEET CUSTOMER REQUIREMENTS
13	12/15/79	REVISIONS TO MEET CUSTOMER REQUIREMENTS
14	1/15/80	REVISIONS TO MEET CUSTOMER REQUIREMENTS
15	2/15/80	REVISIONS TO MEET CUSTOMER REQUIREMENTS
16	3/15/80	REVISIONS TO MEET CUSTOMER REQUIREMENTS
17	4/15/80	REVISIONS TO MEET CUSTOMER REQUIREMENTS
18	5/15/80	REVISIONS TO MEET CUSTOMER REQUIREMENTS
19	6/15/80	REVISIONS TO MEET CUSTOMER REQUIREMENTS
20	7/15/80	REVISIONS TO MEET CUSTOMER REQUIREMENTS
21	8/15/80	REVISIONS TO MEET CUSTOMER REQUIREMENTS
22	9/15/80	REVISIONS TO MEET CUSTOMER REQUIREMENTS
23	10/15/80	REVISIONS TO MEET CUSTOMER REQUIREMENTS
24	11/15/80	REVISIONS TO MEET CUSTOMER REQUIREMENTS
25	12/15/80	REVISIONS TO MEET CUSTOMER REQUIREMENTS

BIAMP SYSTEMS INC.
 10000 S. 26th St. Suite 200
 Tukwila, WA 98148
 (206) 835-7300
 FAX (206) 835-7301
 DJ 5500 - FRONT PCB
 SCHEMATIC

REPEAT CIRCUIT *A* REPEAT 3 MORE TIMES (X4 TOTAL)
 *SEE NOTE #3.
 TOTAL OF 4 CIRCUITS REPEAT 3 MORE TIMES (X4 TOTAL)
 *SEE NOTE #3.

TALKOVER SWITCH
 1 0 0 7
 2 0 0 8
 3 0 0 9
 4 0 1 0
 5 0 1 1
 6 0 1 2

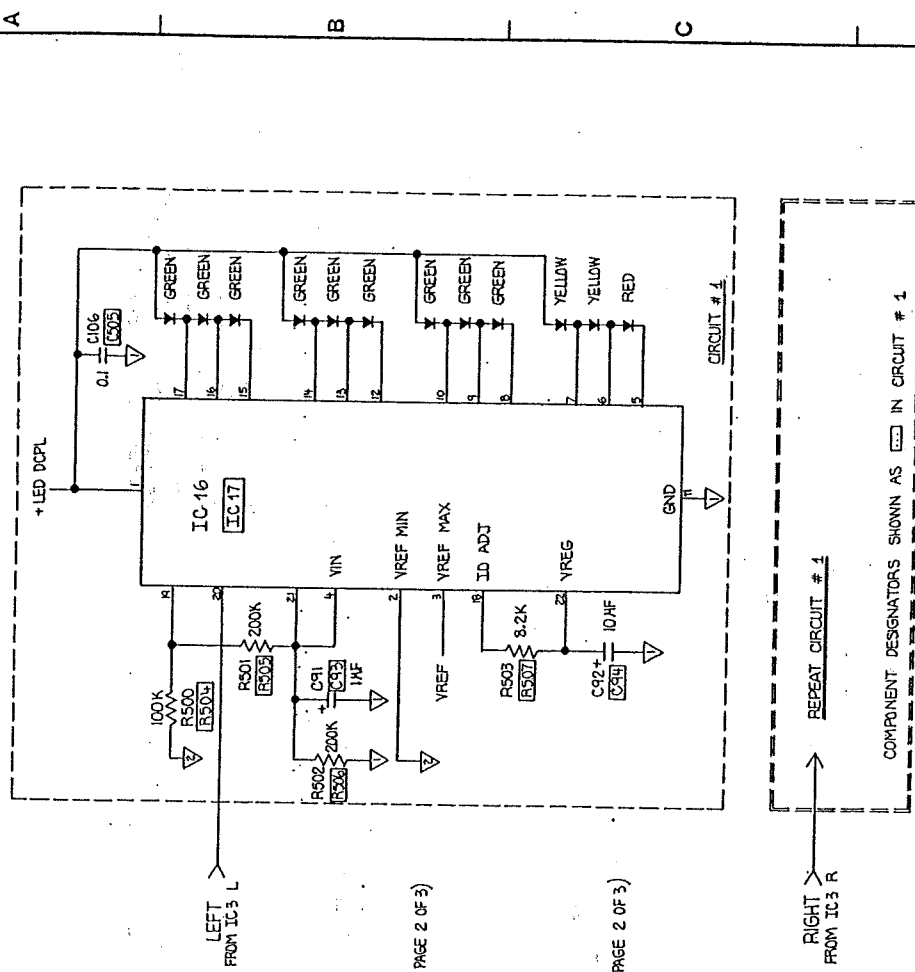
STOPPERS IN OHMS
 5. OTHERWISE SPECIFIED
 6. IN MICROFARADS
 7. A/B BASS AND TREBLE
 8. A/B BASS AND TREBLE
 9. A/B BASS AND TREBLE
 10. TREBLE POT ARE
 11. IN AREA IS A BREAK
 12. ALSO IN THIS FILE
 13. HER HALF OF THESE
 14. ISOLATIONS (VLSA)
 SHEET 2 OF 2

REPEAT CIRCUIT *A* REPEAT 3 MORE TIMES (X4 TOTAL)
 *SEE NOTE #3.
 TOTAL OF 4 CIRCUITS REPEAT 3 MORE TIMES (X4 TOTAL)
 *SEE NOTE #3.

TREBLE 7.4KHZ
 MID 2KHZ
 BASS 85HZ

REPEAT CIRCUIT *A* REPEAT 3 MORE TIMES (X4 TOTAL)
 *SEE NOTE #3.
 TOTAL OF 4 CIRCUITS REPEAT 3 MORE TIMES (X4 TOTAL)
 *SEE NOTE #3.

THIS DRAWING IS THE PROPERTY OF BIAMP SYSTEMS, INC. IT IS TO BE KEPT IN CONFIDENTIALITY AND NOT TO BE REPRODUCED OR TRANSMITTED IN ANY FORM OR BY ANY MEANS, ELECTRONIC OR MECHANICAL, INCLUDING PHOTOCOPYING, RECORDING, OR BY ANY INFORMATION STORAGE AND RETRIEVAL SYSTEM. ANY UNAUTHORIZED USE OF THIS DRAWING IS PROHIBITED AND WILL BE PROSECUTED TO THE FULL EXTENT OF THE LAW.



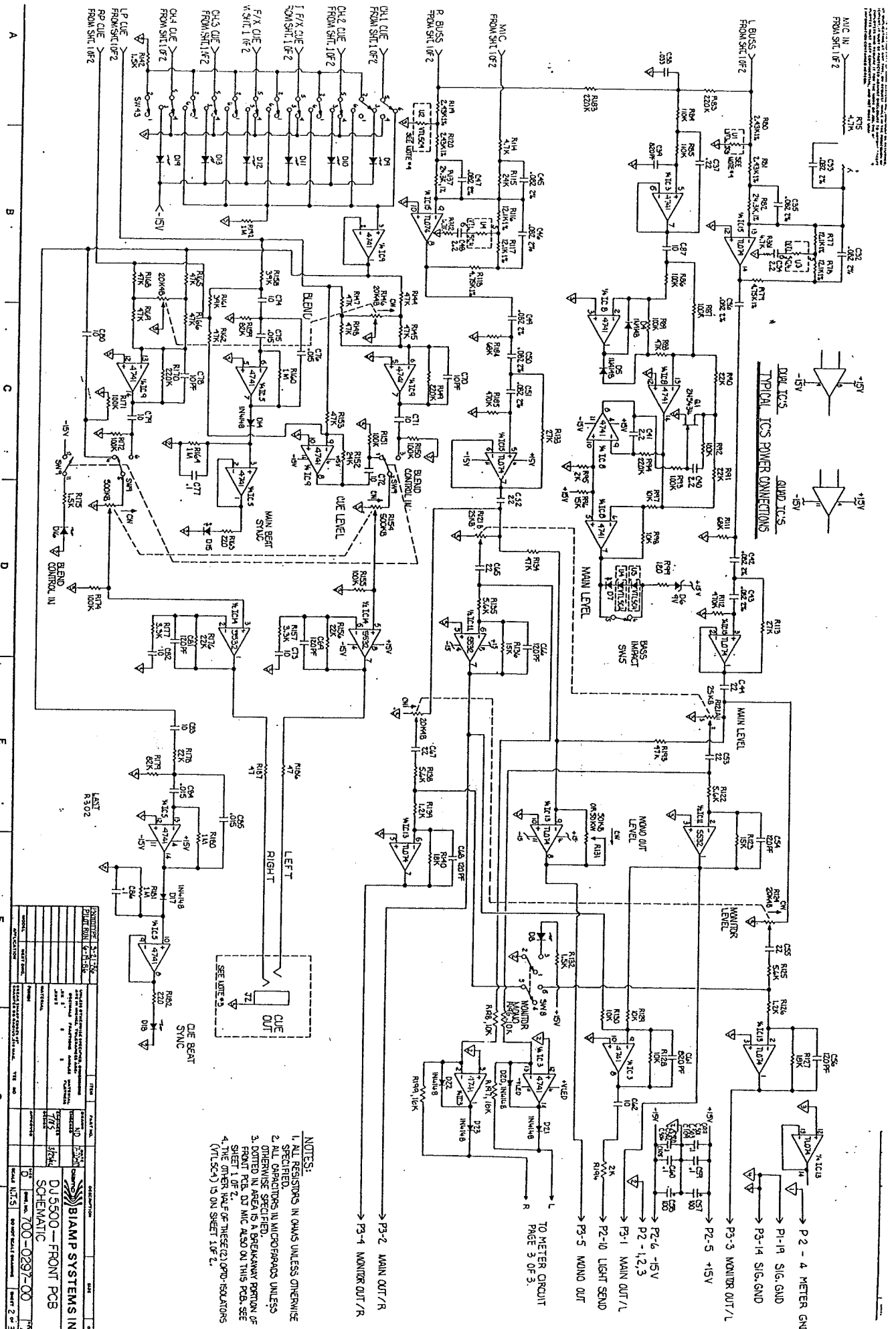
LAST:

- R511
- C106, C905
- D 24
- G 1
- IC17
- SK91
- U4

ITEM	DESCRIPTION	SIZE	QTY.
1	IC-16		1
2	R500, R501, R502, R503, R504, R505, R506, R507, R508, R509, R510, R511		10
3	C91, C92, C93, C94, C95, C96, C97, C98, C99, C100, C101, C102, C103, C104, C105, C106		15
4	D24		1
5	SK91		1
6	U4		1

BIAMP SYSTEMS
 DJ 5500 FRONT PCB
 SCHEMATIC

SIZE C DWG. NO. 700-0297-00 REV. A
 SCALE NONE DO NOT SCALE DRAWING SHEET 3 OF 3



A B C D E F G H

- NOTES:**
1. ALL RESISTORS IN OHMS UNLESS OTHERWISE SPECIFIED.
 2. ALL CAPACITORS IN MICROGRAMS UNLESS OTHERWISE SPECIFIED.
 3. DIMENSIONS SPECIFIED IN MILLIMETERS UNLESS OTHERWISE SPECIFIED.
 4. THE OTHER HALF OF THESE (2) 1000-Ω ISOLATORS (VTL SC-1) IS ON SHEET 1 OF 2.

REVISION	DATE	BY	CHKD	DESCRIPTION
1				ISSUED FOR FABRICATION
2				REVISION
3				REVISION
4				REVISION

BIAMP SYSTEMS INC.
D15500-FRONT PCB
SCHEMATIC

REV. 1.0
DATE: 7-00-89
DRAWN BY: JPH
CHECKED BY: JPH
PART NO. D15500-FRONT PCB
SHEET 2 OF 3