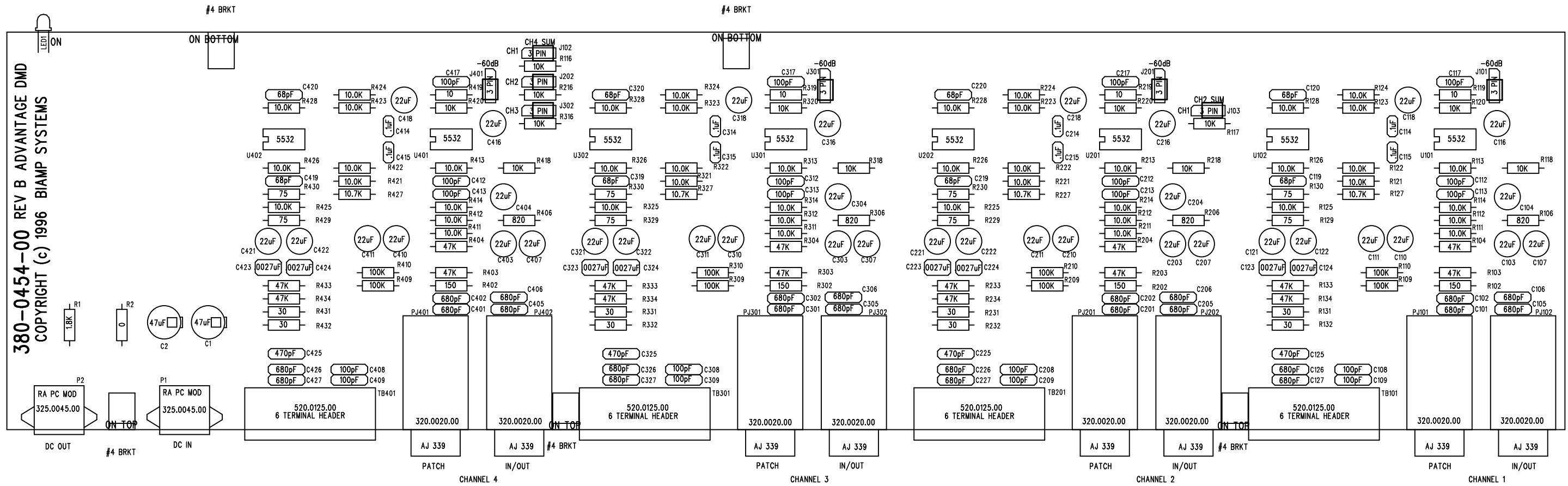


**DMD**  
**Device Matching**  
**Driver**  
**Schematic**

Released June 25,

380-0454-00 REV B ADVANTAGE DMD  
COPYRIGHT (c) 1996 BIAMP SYSTEMS

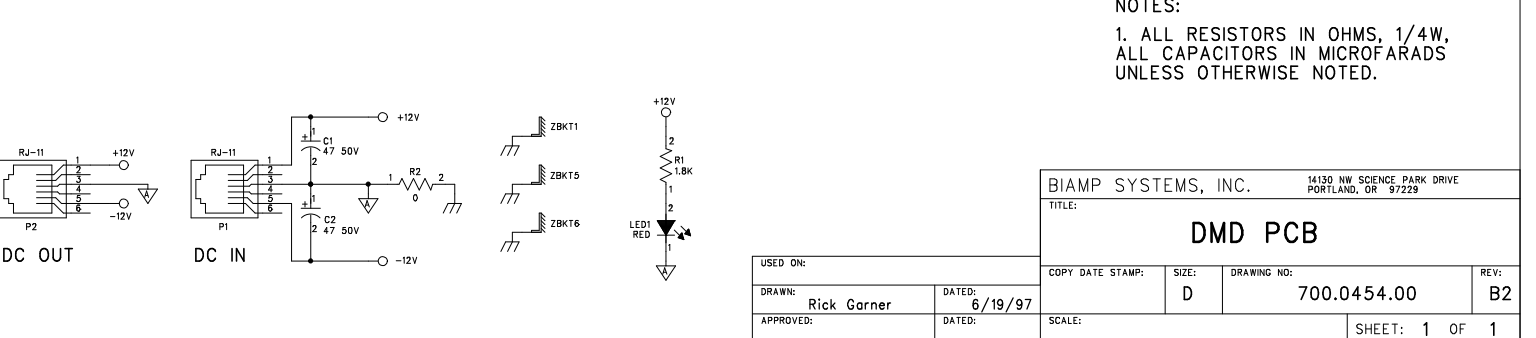
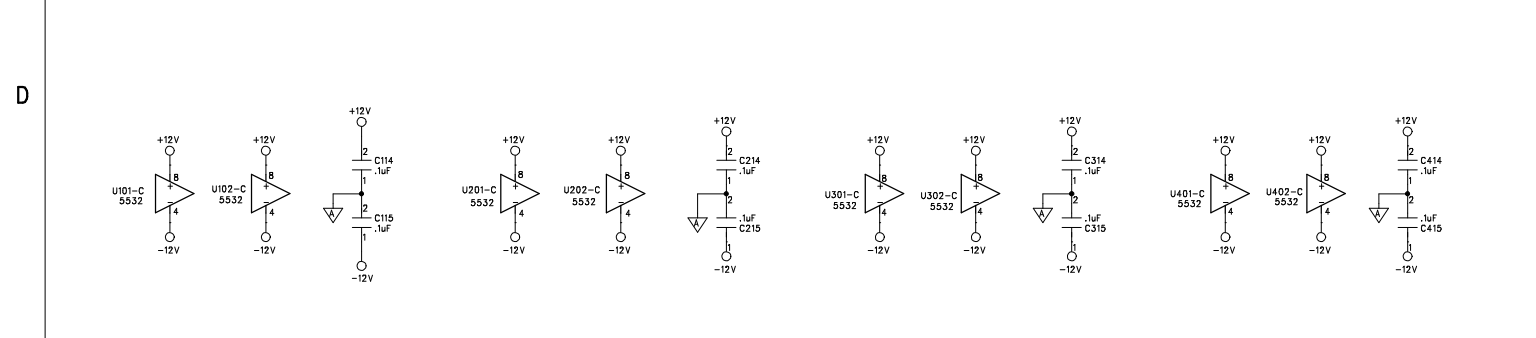
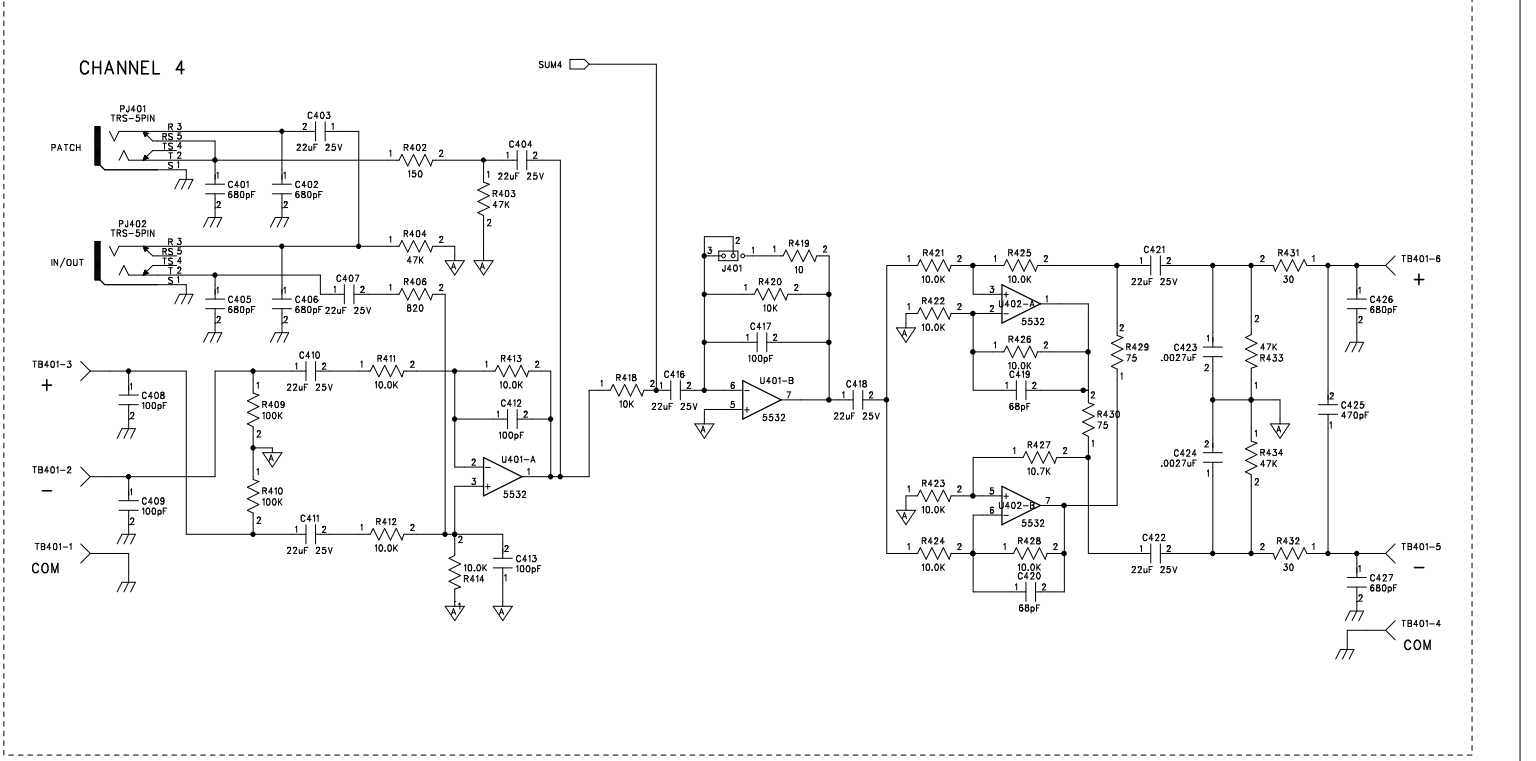
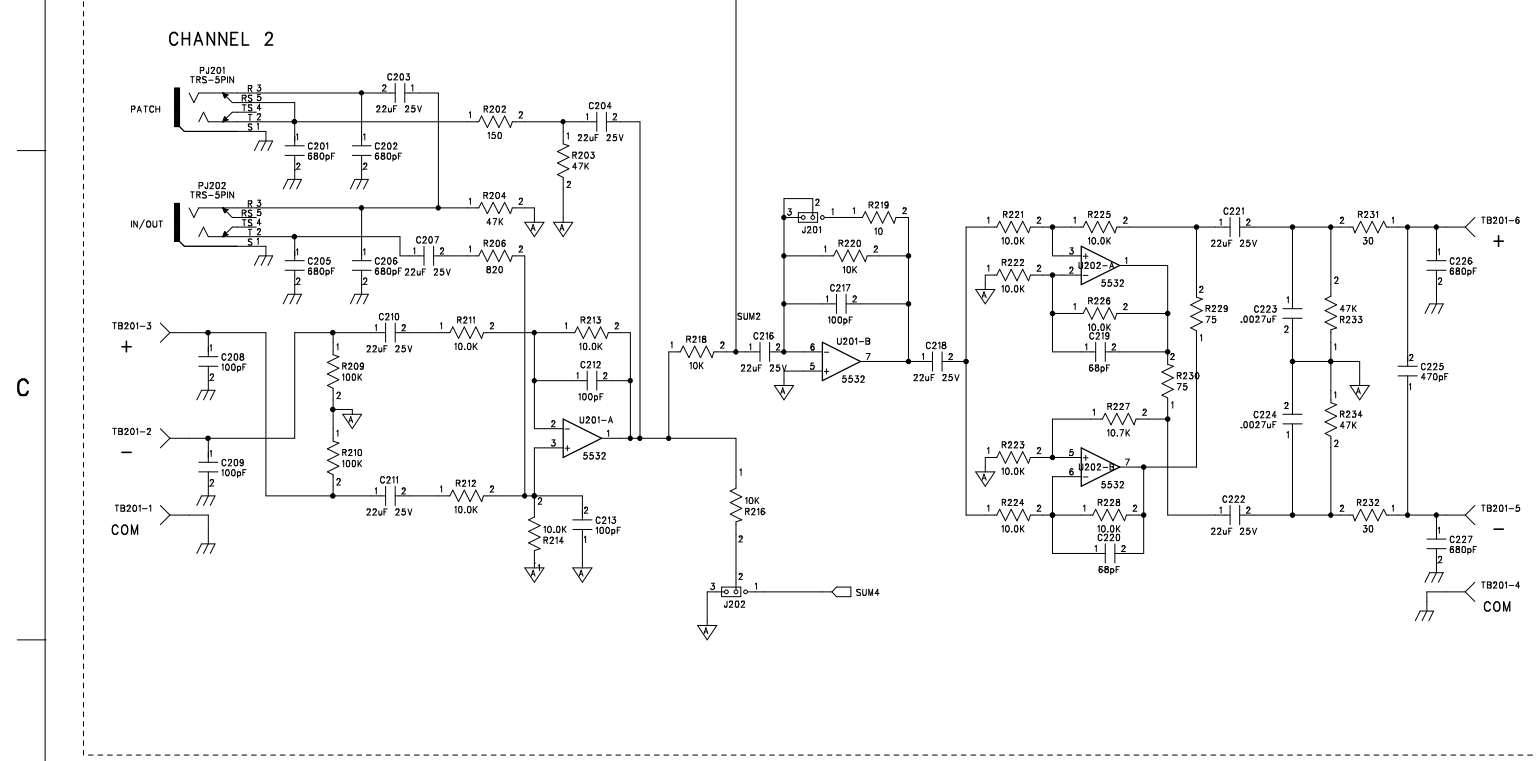
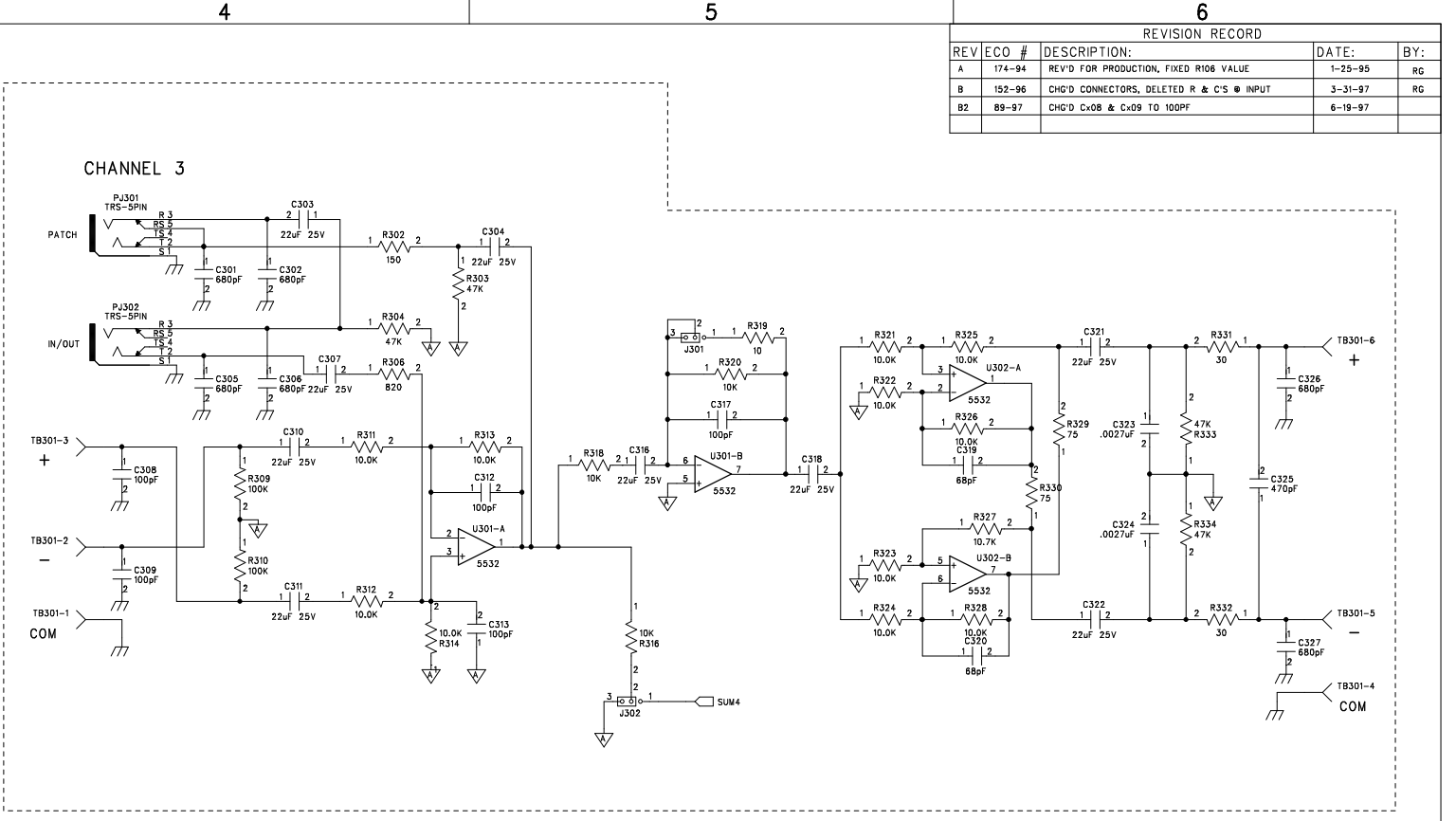
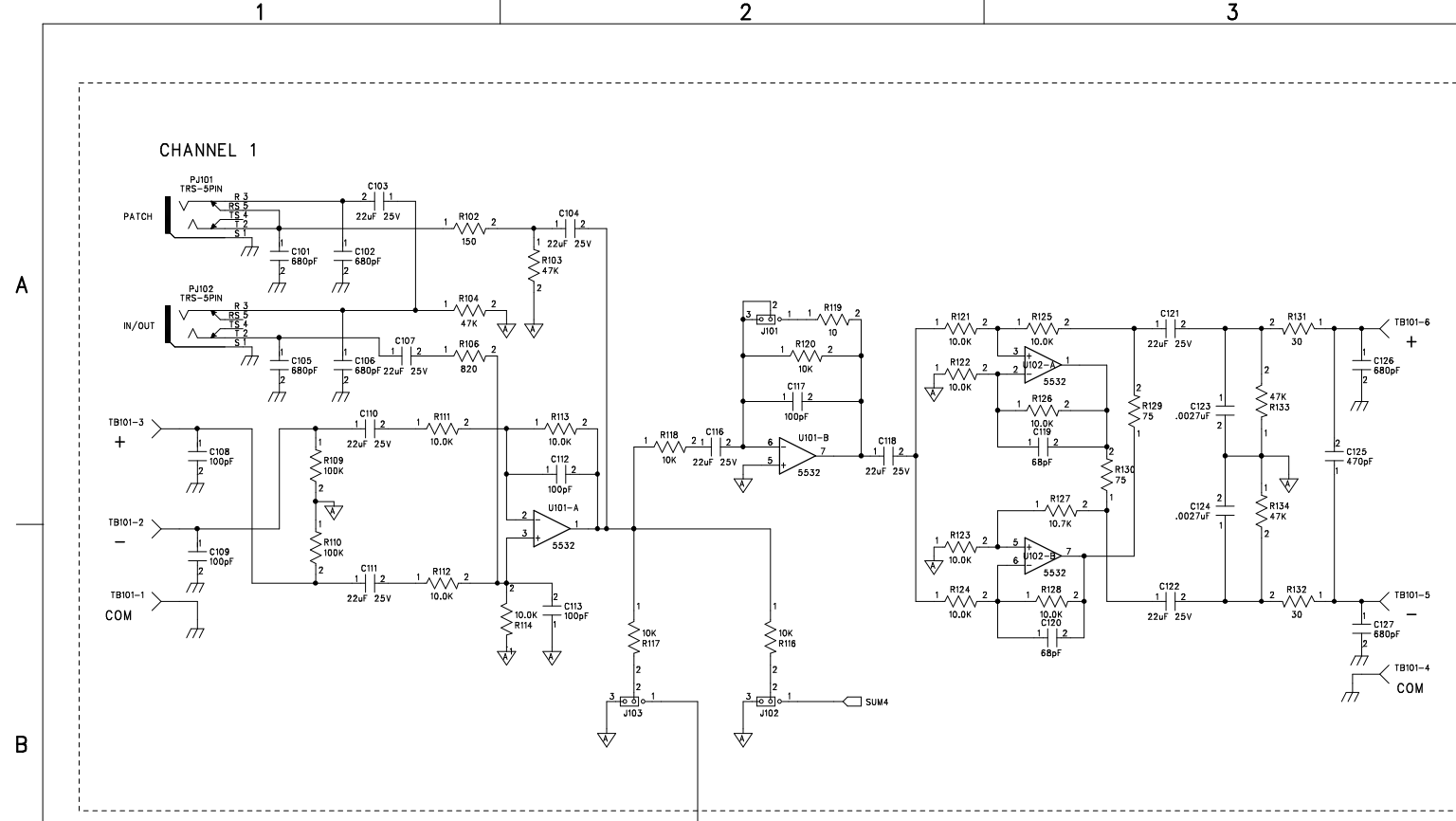


BIAMP SYSTEMS  
14130 N.W. Science Park Drive  
Portland, Oregon 97229  
(503) 641-7287

380-0454-00 REV B  
ADVANTAGE DMD PCB

Sheet 1 of 5 : Component I.D. Silkscreen  
Sheet 2 of 5 : Component Side

REVISION RECORD				
REV	ECO #	DESCRIPTION:	DATE:	BY:
A	174-94	REV'D FOR PRODUCTION, FIXED R106 VALUE	1-25-95	RG
B	152-96	CHG'D CONNECTORS, DELETED R & C'S @ INPUT	3-31-97	RG
BZ	89-97	CHG'D Cx08 & Cx09 TO 100PF	6-19-97	



NOTES:  
1. ALL RESISTORS IN OHMS, 1/4W.  
ALL CAPACITORS IN MICROFARADS  
UNLESS OTHERWISE NOTED.

BIAMP SYSTEMS, INC.		14130 NW SCIENCE PARK DRIVE PORTLAND, OR 97229	
TITLE: <b>DMD PCB</b>			
USED ON:	COPY DATE STAMP:	SIZE: <b>D</b>	DRAWING NO: <b>700.0454.00</b>
DRAWN: <b>Rick Garner</b>	DATED: <b>6/19/97</b>	SCALE:	REV: <b>B2</b>
APPROVED:	DATED:		SHEET: <b>1 OF 1</b>