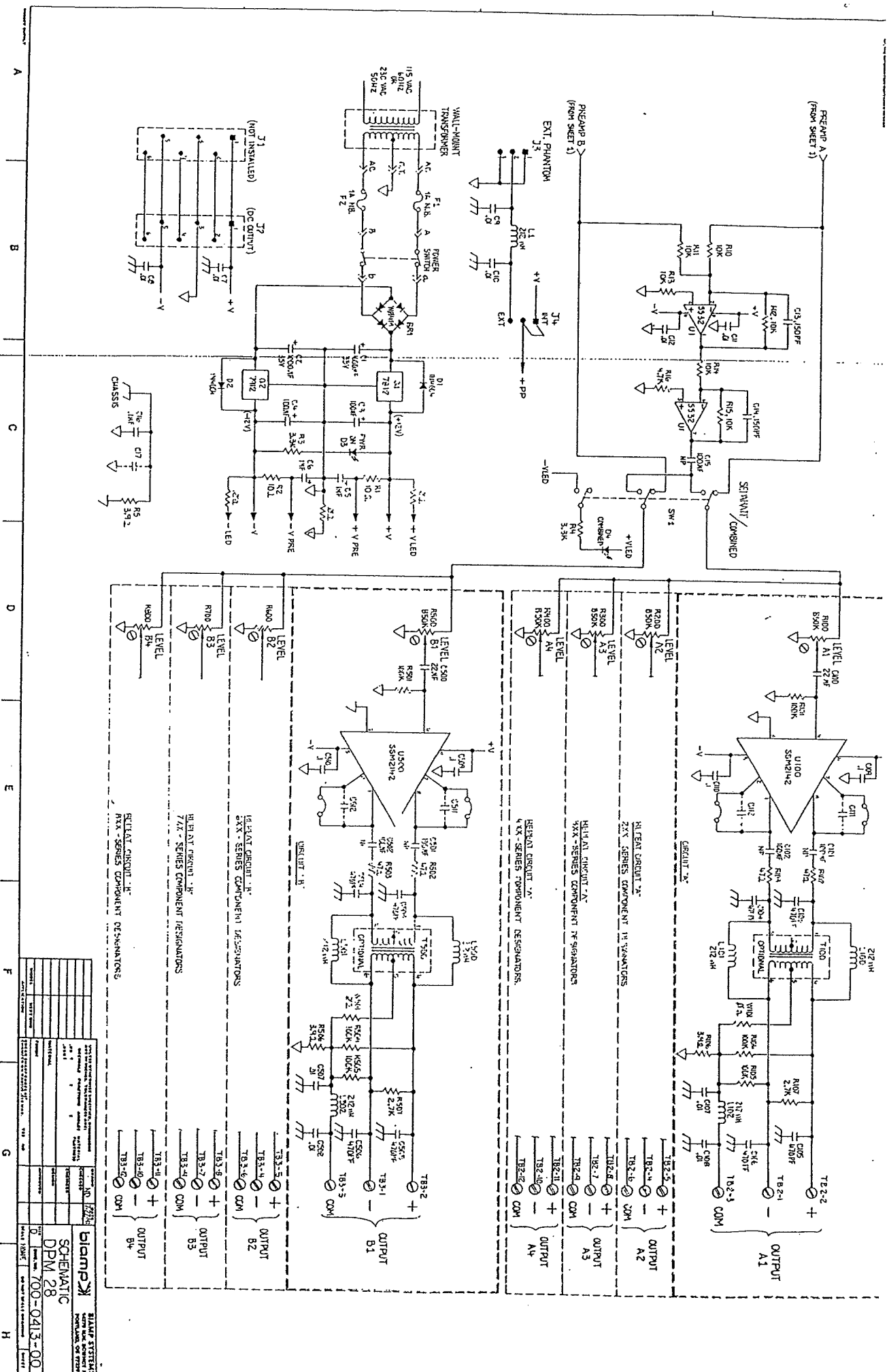


DPM/ 28
Schematic

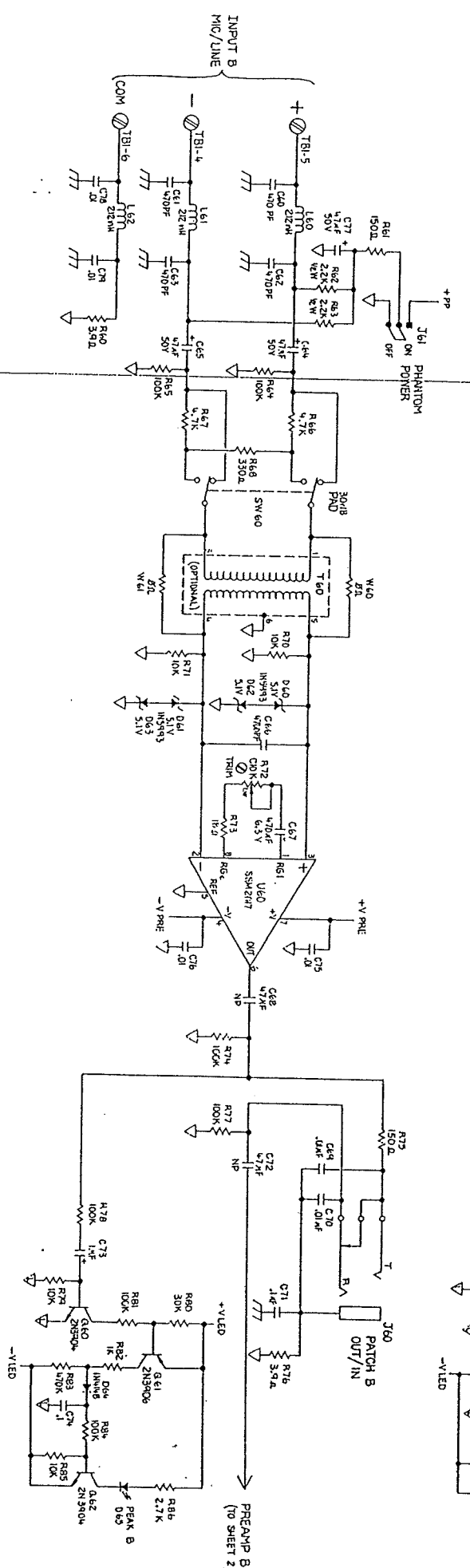
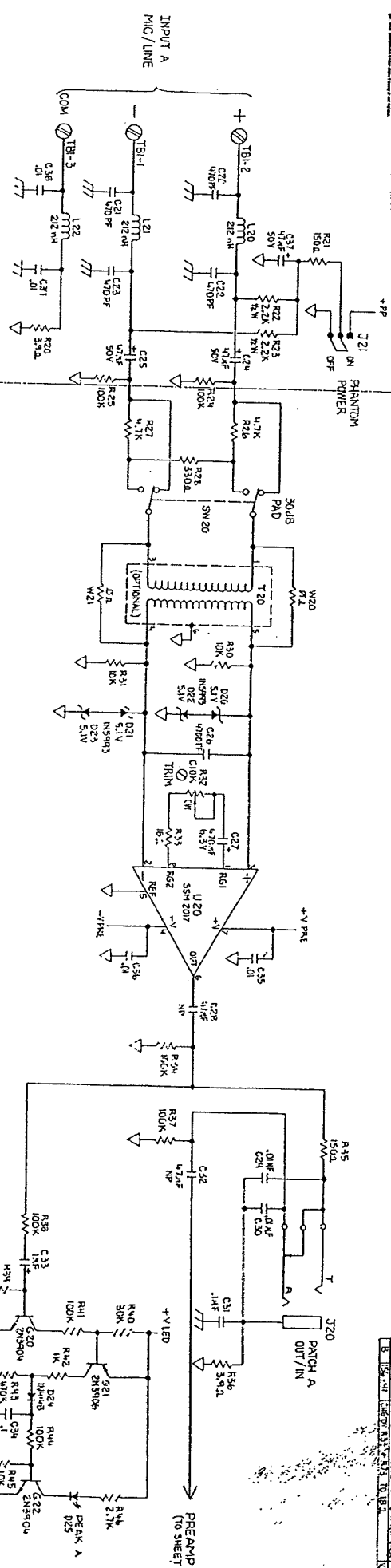
B I A M P[®]
S Y S T E M S

10074 SW Arctic Drive Beaverton, OR 97005 503-641-7287



blamp BLAMP SYSTEMS, INC. 2375 UNIVERSITY AVENUE BERKELEY, CALIFORNIA 94704 TEL: 415/841-1313 FAX: 415/841-1314	
SCHEMATIC DPM 28	PROJECT NO. 700-0413-00 SHEET 2 OF 2

REVISIONS
 1. 10/13/77
 2. 10/13/77
 3. 10/13/77
 4. 10/13/77
 5. 10/13/77
 6. 10/13/77
 7. 10/13/77
 8. 10/13/77
 9. 10/13/77
 10. 10/13/77



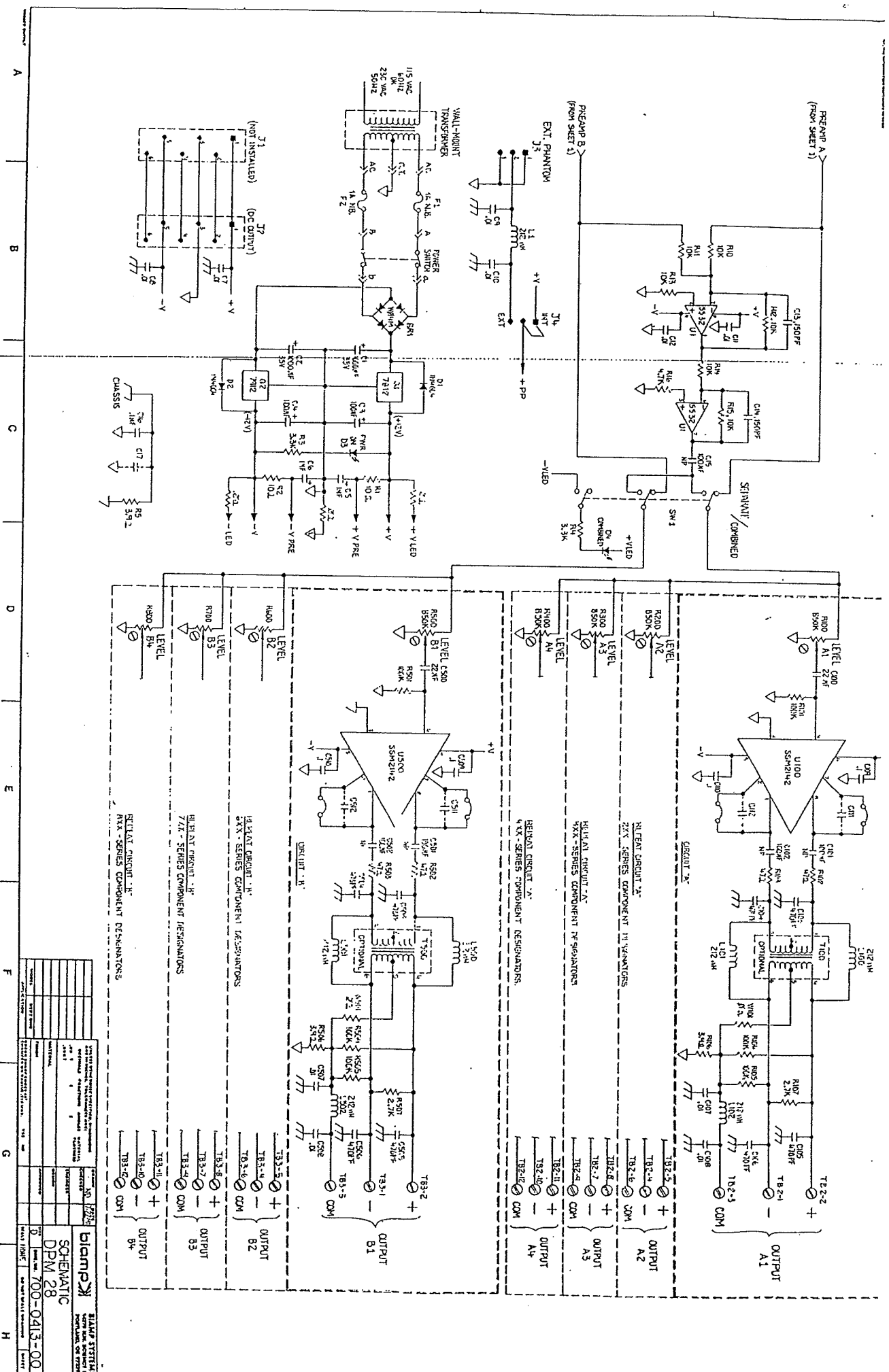
DATE: 10/13/77		DRAWN: J. J. J.	
CHECKED: J. J. J.		APPROVED: J. J. J.	
blampy			
SCHEMATIC			
DPM 28			
700-0413-00			
Sheet 1 of 2			

10/13/77 10/13/77 10/13/77 10/13/77 10/13/77 10/13/77 10/13/77 10/13/77 10/13/77 10/13/77

DPM/ 28
Schematic

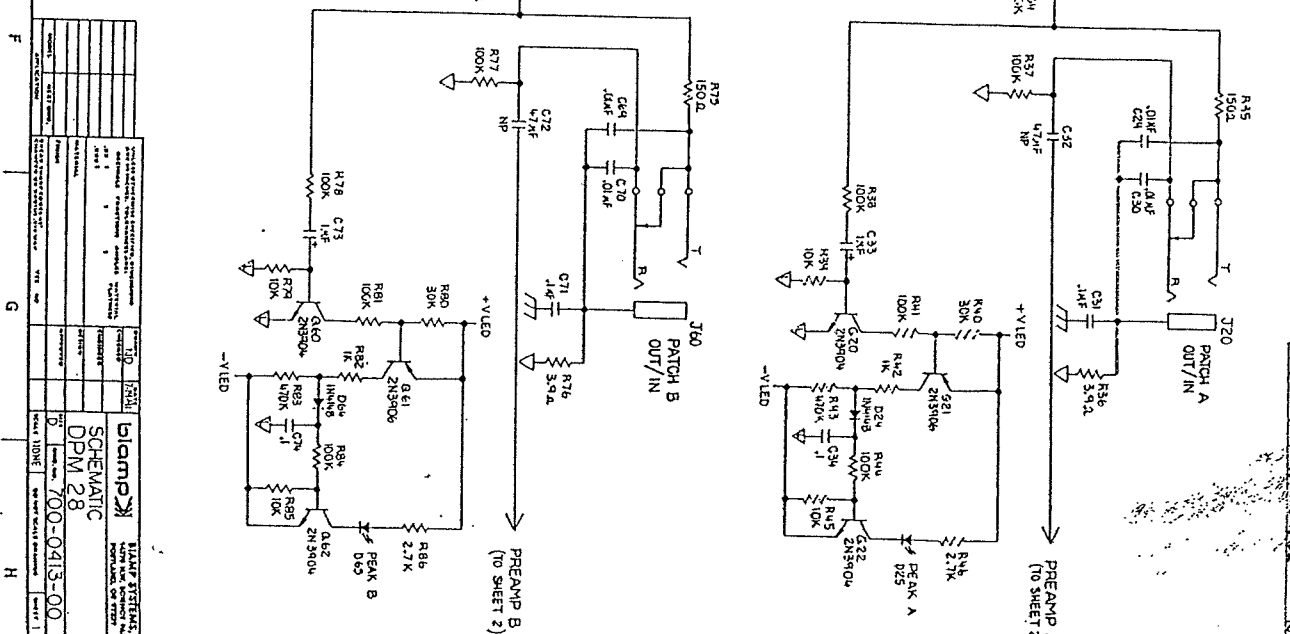
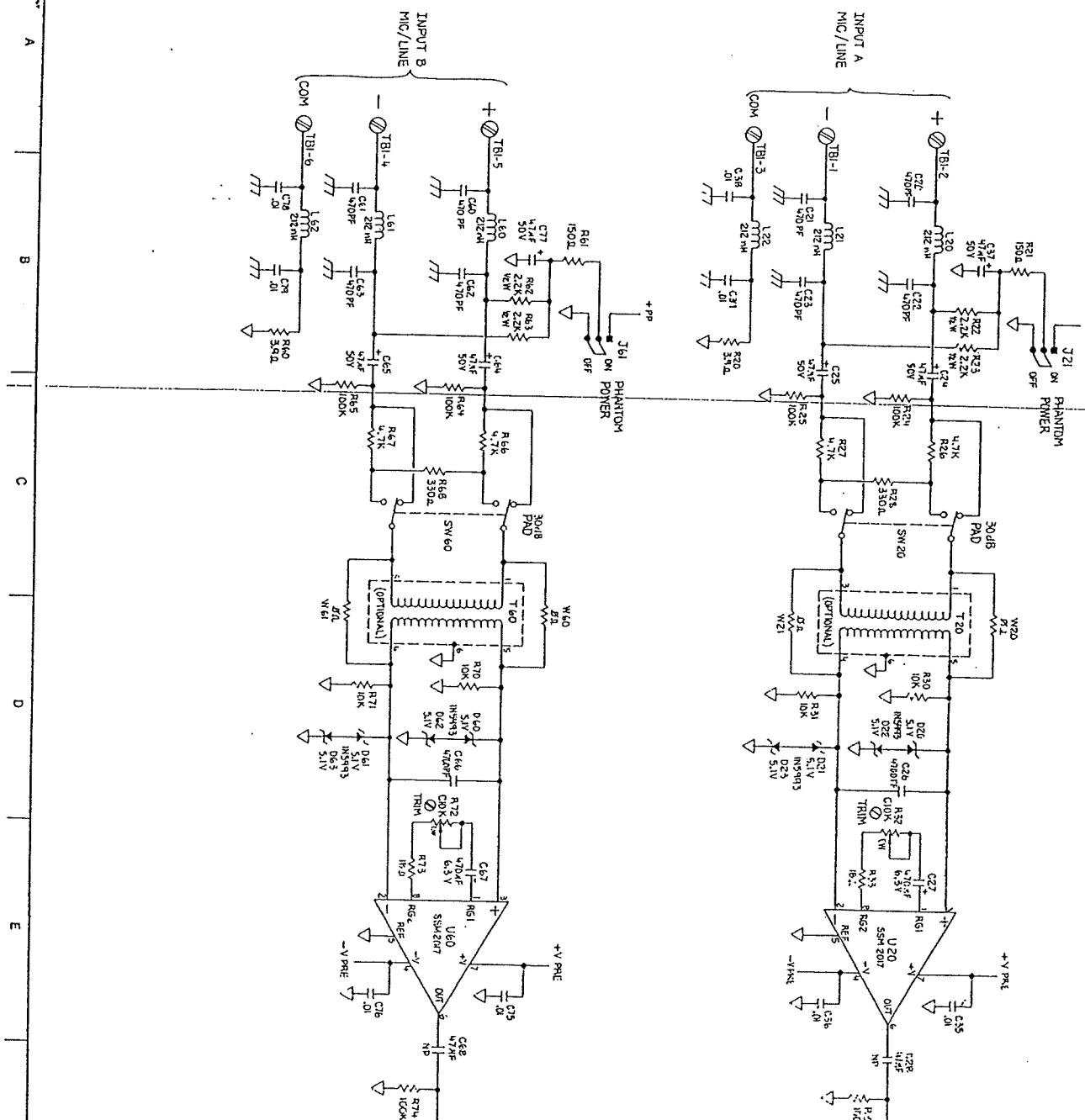
B I A M P[®]
S Y S T E M S

10074 SW Arctic Drive Beaverton, OR 97005 503-641-7287



BLAMPY SYSTEMS, INC.	
SCHEMATIC	
DPM 28	
PARTS LIST	
NO.	DESCRIPTION
1	RESISTOR
2	CAPACITOR
3	TRANSISTOR
4	DIODE
5	IC
6	CONNECTOR
7	WIRE
8	OTHER
9	UNIDENTIFIED
10	UNIDENTIFIED
11	UNIDENTIFIED
12	UNIDENTIFIED
13	UNIDENTIFIED
14	UNIDENTIFIED
15	UNIDENTIFIED
16	UNIDENTIFIED
17	UNIDENTIFIED
18	UNIDENTIFIED
19	UNIDENTIFIED
20	UNIDENTIFIED
21	UNIDENTIFIED
22	UNIDENTIFIED
23	UNIDENTIFIED
24	UNIDENTIFIED
25	UNIDENTIFIED
26	UNIDENTIFIED
27	UNIDENTIFIED
28	UNIDENTIFIED
29	UNIDENTIFIED
30	UNIDENTIFIED
31	UNIDENTIFIED
32	UNIDENTIFIED
33	UNIDENTIFIED
34	UNIDENTIFIED
35	UNIDENTIFIED
36	UNIDENTIFIED
37	UNIDENTIFIED
38	UNIDENTIFIED
39	UNIDENTIFIED
40	UNIDENTIFIED
41	UNIDENTIFIED
42	UNIDENTIFIED
43	UNIDENTIFIED
44	UNIDENTIFIED
45	UNIDENTIFIED
46	UNIDENTIFIED
47	UNIDENTIFIED
48	UNIDENTIFIED
49	UNIDENTIFIED
50	UNIDENTIFIED
51	UNIDENTIFIED
52	UNIDENTIFIED
53	UNIDENTIFIED
54	UNIDENTIFIED
55	UNIDENTIFIED
56	UNIDENTIFIED
57	UNIDENTIFIED
58	UNIDENTIFIED
59	UNIDENTIFIED
60	UNIDENTIFIED
61	UNIDENTIFIED
62	UNIDENTIFIED
63	UNIDENTIFIED
64	UNIDENTIFIED
65	UNIDENTIFIED
66	UNIDENTIFIED
67	UNIDENTIFIED
68	UNIDENTIFIED
69	UNIDENTIFIED
70	UNIDENTIFIED
71	UNIDENTIFIED
72	UNIDENTIFIED
73	UNIDENTIFIED
74	UNIDENTIFIED
75	UNIDENTIFIED
76	UNIDENTIFIED
77	UNIDENTIFIED
78	UNIDENTIFIED
79	UNIDENTIFIED
80	UNIDENTIFIED
81	UNIDENTIFIED
82	UNIDENTIFIED
83	UNIDENTIFIED
84	UNIDENTIFIED
85	UNIDENTIFIED
86	UNIDENTIFIED
87	UNIDENTIFIED
88	UNIDENTIFIED
89	UNIDENTIFIED
90	UNIDENTIFIED
91	UNIDENTIFIED
92	UNIDENTIFIED
93	UNIDENTIFIED
94	UNIDENTIFIED
95	UNIDENTIFIED
96	UNIDENTIFIED
97	UNIDENTIFIED
98	UNIDENTIFIED
99	UNIDENTIFIED
100	UNIDENTIFIED

THIS DRAWING IS THE PROPERTY OF BIAAMP SYSTEMS, INC. IT IS TO BE USED ONLY FOR THE PROJECT AND QUANTITY SPECIFIED ON THE ORDER. IT IS NOT TO BE REPRODUCED OR TRANSMITTED IN ANY FORM OR BY ANY MEANS, ELECTRONIC OR MECHANICAL, INCLUDING PHOTOCOPYING, RECORDING, OR BY ANY INFORMATION STORAGE AND RETRIEVAL SYSTEM. WITHOUT THE WRITTEN PERMISSION OF BIAAMP SYSTEMS, INC.



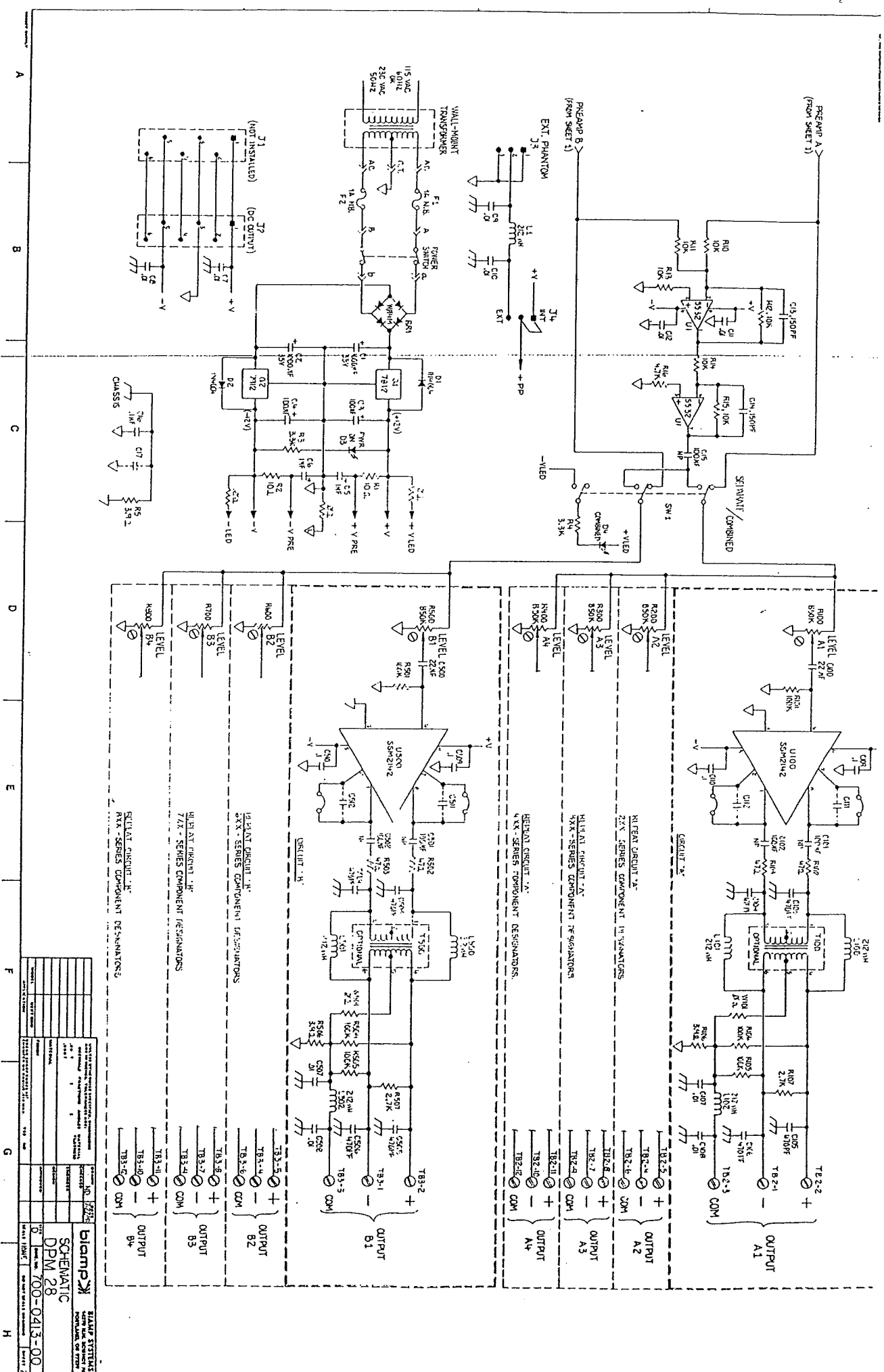
BIAAMP SYSTEMS, INC.	
130	SCHEMATIC
DPW 28	
700-0413-00	
REV 1	
REV 2	
REV 3	
REV 4	
REV 5	
REV 6	
REV 7	
REV 8	
REV 9	
REV 10	
REV 11	
REV 12	
REV 13	
REV 14	
REV 15	
REV 16	
REV 17	
REV 18	
REV 19	
REV 20	
REV 21	
REV 22	
REV 23	
REV 24	
REV 25	
REV 26	
REV 27	
REV 28	
REV 29	
REV 30	
REV 31	
REV 32	
REV 33	
REV 34	
REV 35	
REV 36	
REV 37	
REV 38	
REV 39	
REV 40	
REV 41	
REV 42	
REV 43	
REV 44	
REV 45	
REV 46	
REV 47	
REV 48	
REV 49	
REV 50	

DPM/ 28
Schematic

B I A M P[®]

S Y S T E M S

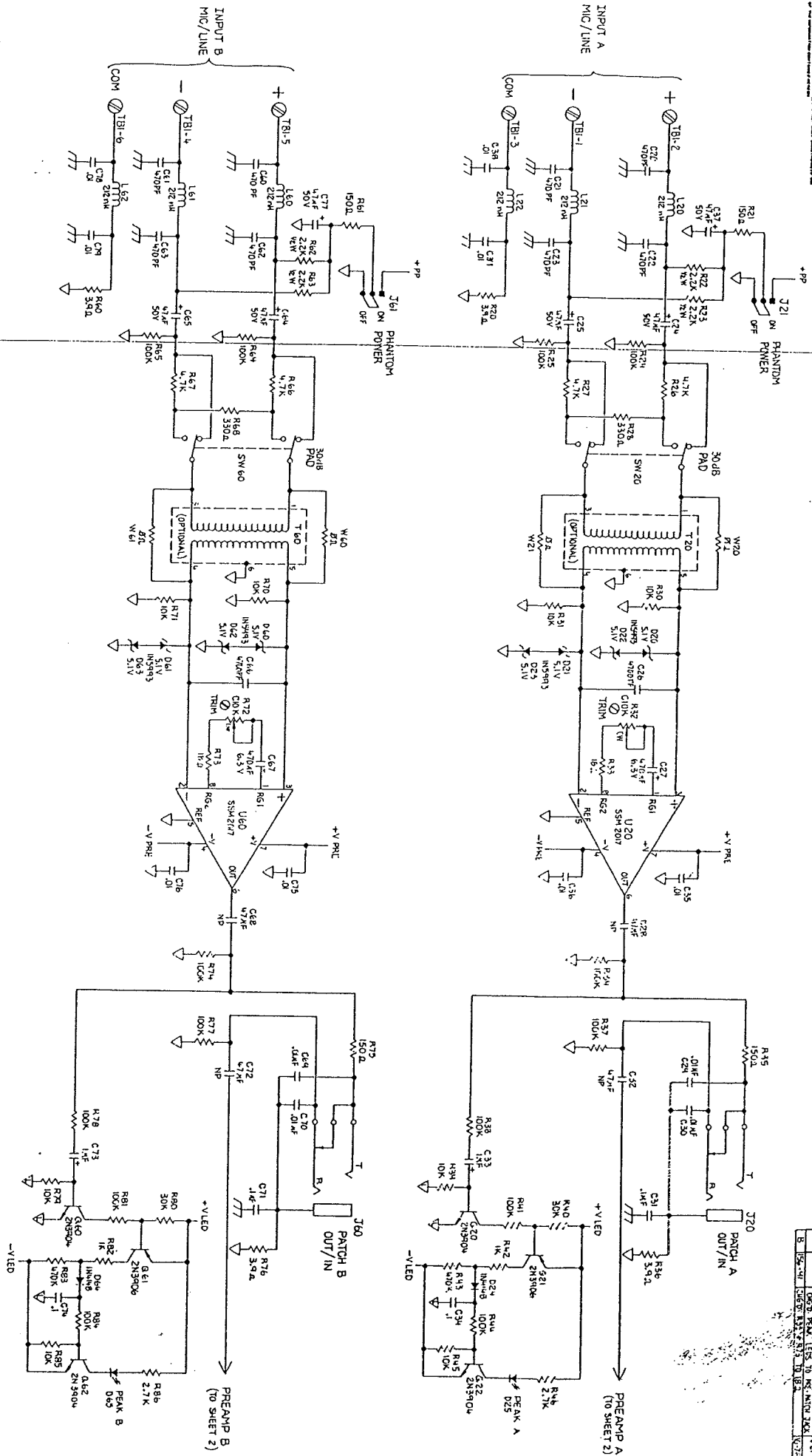
10074 SW Arctic Drive Beaverton, OR 97005 503-641-7287



NO.	DESCRIPTION	QTY	REMARKS
1	U100, U200, U300	3	55W2H2
2	U1, U2, U3	3	7812
3	U4, U5, U6	3	7912
4	U7	1	7905
5	T100, T200, T300	3	212µH
6	R100, R101, R102, R103, R104, R105, R106, R107, R108, R109, R110, R111, R112, R113, R114, R115, R116, R117, R118, R119, R120, R121, R122, R123, R124, R125, R126, R127, R128, R129, R130, R131, R132, R133, R134, R135, R136, R137, R138, R139, R140, R141, R142, R143, R144, R145, R146, R147, R148, R149, R150, R151, R152, R153, R154, R155, R156, R157, R158, R159, R160, R161, R162, R163, R164, R165, R166, R167, R168, R169, R170, R171, R172, R173, R174, R175, R176, R177, R178, R179, R180, R181, R182, R183, R184, R185, R186, R187, R188, R189, R190, R191, R192, R193, R194, R195, R196, R197, R198, R199, R200	200	RESISTORS
7	C100, C101, C102, C103, C104, C105, C106, C107, C108, C109, C110, C111, C112, C113, C114, C115, C116, C117, C118, C119, C120, C121, C122, C123, C124, C125, C126, C127, C128, C129, C130, C131, C132, C133, C134, C135, C136, C137, C138, C139, C140, C141, C142, C143, C144, C145, C146, C147, C148, C149, C150, C151, C152, C153, C154, C155, C156, C157, C158, C159, C160, C161, C162, C163, C164, C165, C166, C167, C168, C169, C170, C171, C172, C173, C174, C175, C176, C177, C178, C179, C180, C181, C182, C183, C184, C185, C186, C187, C188, C189, C190, C191, C192, C193, C194, C195, C196, C197, C198, C199, C200	200	CAPACITORS
8	J1, J2, J3, J4, J5, J6, J7, J8, J9, J10, J11, J12, J13, J14, J15, J16, J17, J18, J19, J20, J21, J22, J23, J24, J25, J26, J27, J28, J29, J30, J31, J32, J33, J34, J35, J36, J37, J38, J39, J40, J41, J42, J43, J44, J45, J46, J47, J48, J49, J50, J51, J52, J53, J54, J55, J56, J57, J58, J59, J60, J61, J62, J63, J64, J65, J66, J67, J68, J69, J70, J71, J72, J73, J74, J75, J76, J77, J78, J79, J80, J81, J82, J83, J84, J85, J86, J87, J88, J89, J90, J91, J92, J93, J94, J95, J96, J97, J98, J99, J100	100	JUNCTIONS
9	SW1, SW2, SW3, SW4, SW5, SW6, SW7, SW8, SW9, SW10, SW11, SW12, SW13, SW14, SW15, SW16, SW17, SW18, SW19, SW20, SW21, SW22, SW23, SW24, SW25, SW26, SW27, SW28, SW29, SW30, SW31, SW32, SW33, SW34, SW35, SW36, SW37, SW38, SW39, SW40, SW41, SW42, SW43, SW44, SW45, SW46, SW47, SW48, SW49, SW50, SW51, SW52, SW53, SW54, SW55, SW56, SW57, SW58, SW59, SW60, SW61, SW62, SW63, SW64, SW65, SW66, SW67, SW68, SW69, SW70, SW71, SW72, SW73, SW74, SW75, SW76, SW77, SW78, SW79, SW80, SW81, SW82, SW83, SW84, SW85, SW86, SW87, SW88, SW89, SW90, SW91, SW92, SW93, SW94, SW95, SW96, SW97, SW98, SW99, SW100	100	SWITCHES
10	F1, F2, F3, F4, F5, F6, F7, F8, F9, F10, F11, F12, F13, F14, F15, F16, F17, F18, F19, F20, F21, F22, F23, F24, F25, F26, F27, F28, F29, F30, F31, F32, F33, F34, F35, F36, F37, F38, F39, F40, F41, F42, F43, F44, F45, F46, F47, F48, F49, F50, F51, F52, F53, F54, F55, F56, F57, F58, F59, F60, F61, F62, F63, F64, F65, F66, F67, F68, F69, F70, F71, F72, F73, F74, F75, F76, F77, F78, F79, F80, F81, F82, F83, F84, F85, F86, F87, F88, F89, F90, F91, F92, F93, F94, F95, F96, F97, F98, F99, F100	100	FUSES
11	DI1, DI2, DI3, DI4, DI5, DI6, DI7, DI8, DI9, DI10, DI11, DI12, DI13, DI14, DI15, DI16, DI17, DI18, DI19, DI20, DI21, DI22, DI23, DI24, DI25, DI26, DI27, DI28, DI29, DI30, DI31, DI32, DI33, DI34, DI35, DI36, DI37, DI38, DI39, DI40, DI41, DI42, DI43, DI44, DI45, DI46, DI47, DI48, DI49, DI50, DI51, DI52, DI53, DI54, DI55, DI56, DI57, DI58, DI59, DI60, DI61, DI62, DI63, DI64, DI65, DI66, DI67, DI68, DI69, DI70, DI71, DI72, DI73, DI74, DI75, DI76, DI77, DI78, DI79, DI80, DI81, DI82, DI83, DI84, DI85, DI86, DI87, DI88, DI89, DI90, DI91, DI92, DI93, DI94, DI95, DI96, DI97, DI98, DI99, DI100	100	DIODES
12	Q1, Q2, Q3, Q4, Q5, Q6, Q7, Q8, Q9, Q10, Q11, Q12, Q13, Q14, Q15, Q16, Q17, Q18, Q19, Q20, Q21, Q22, Q23, Q24, Q25, Q26, Q27, Q28, Q29, Q30, Q31, Q32, Q33, Q34, Q35, Q36, Q37, Q38, Q39, Q40, Q41, Q42, Q43, Q44, Q45, Q46, Q47, Q48, Q49, Q50, Q51, Q52, Q53, Q54, Q55, Q56, Q57, Q58, Q59, Q60, Q61, Q62, Q63, Q64, Q65, Q66, Q67, Q68, Q69, Q70, Q71, Q72, Q73, Q74, Q75, Q76, Q77, Q78, Q79, Q80, Q81, Q82, Q83, Q84, Q85, Q86, Q87, Q88, Q89, Q90, Q91, Q92, Q93, Q94, Q95, Q96, Q97, Q98, Q99, Q100	100	TRANSISTORS

Blampy
 SCHEMATIC
 DPW 28
 700-0413-00
 2 of 2

DATE: 10/21/2004
DRAWN BY: J. B. DAVIS
CHECKED BY: J. B. DAVIS
APPROVED BY: J. B. DAVIS



Blampart SYSTEMS, INC.			
NO.	REV.	DATE	DESCRIPTION
001	1	10/21/04	SCHEMATIC
002	1	10/21/04	SCHEMATIC
003	1	10/21/04	SCHEMATIC
004	1	10/21/04	SCHEMATIC
005	1	10/21/04	SCHEMATIC
006	1	10/21/04	SCHEMATIC
007	1	10/21/04	SCHEMATIC
008	1	10/21/04	SCHEMATIC
009	1	10/21/04	SCHEMATIC
010	1	10/21/04	SCHEMATIC

Blampart SYSTEMS, INC.
10000 Old Orchard Road
Suite 100
Dallas, TX 75243
Tel: 972-785-1111
Fax: 972-785-1112
Web: www.blampartsystems.com