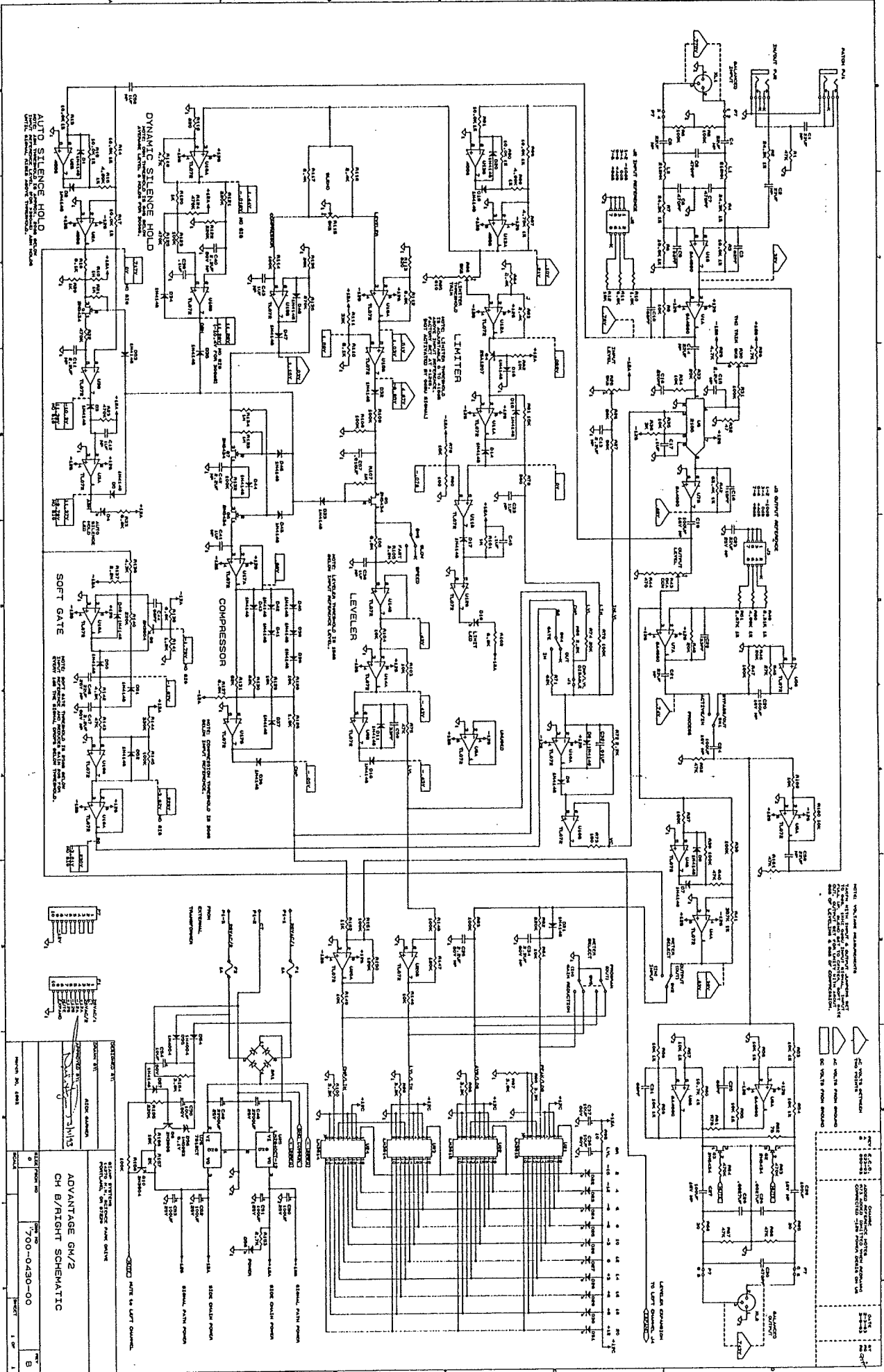


GM 2

Schematic

B I A M P[®]

S Y S T E M S



AUTO SILENCE HOLD
 WITH 12V 100mA FUSE
 WITH 12V 100mA FUSE

DYNAMIC SILENCE HOLD
 WITH 12V 100mA FUSE
 WITH 12V 100mA FUSE

SOFT GATE
 WITH 12V 100mA FUSE
 WITH 12V 100mA FUSE

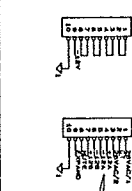
COMPRESSOR
 WITH 12V 100mA FUSE
 WITH 12V 100mA FUSE

LEVEUER
 WITH 12V 100mA FUSE
 WITH 12V 100mA FUSE

LIMITER
 WITH 12V 100mA FUSE
 WITH 12V 100mA FUSE

12 OUTPUT REFERENCE
 WITH 12V 100mA FUSE
 WITH 12V 100mA FUSE

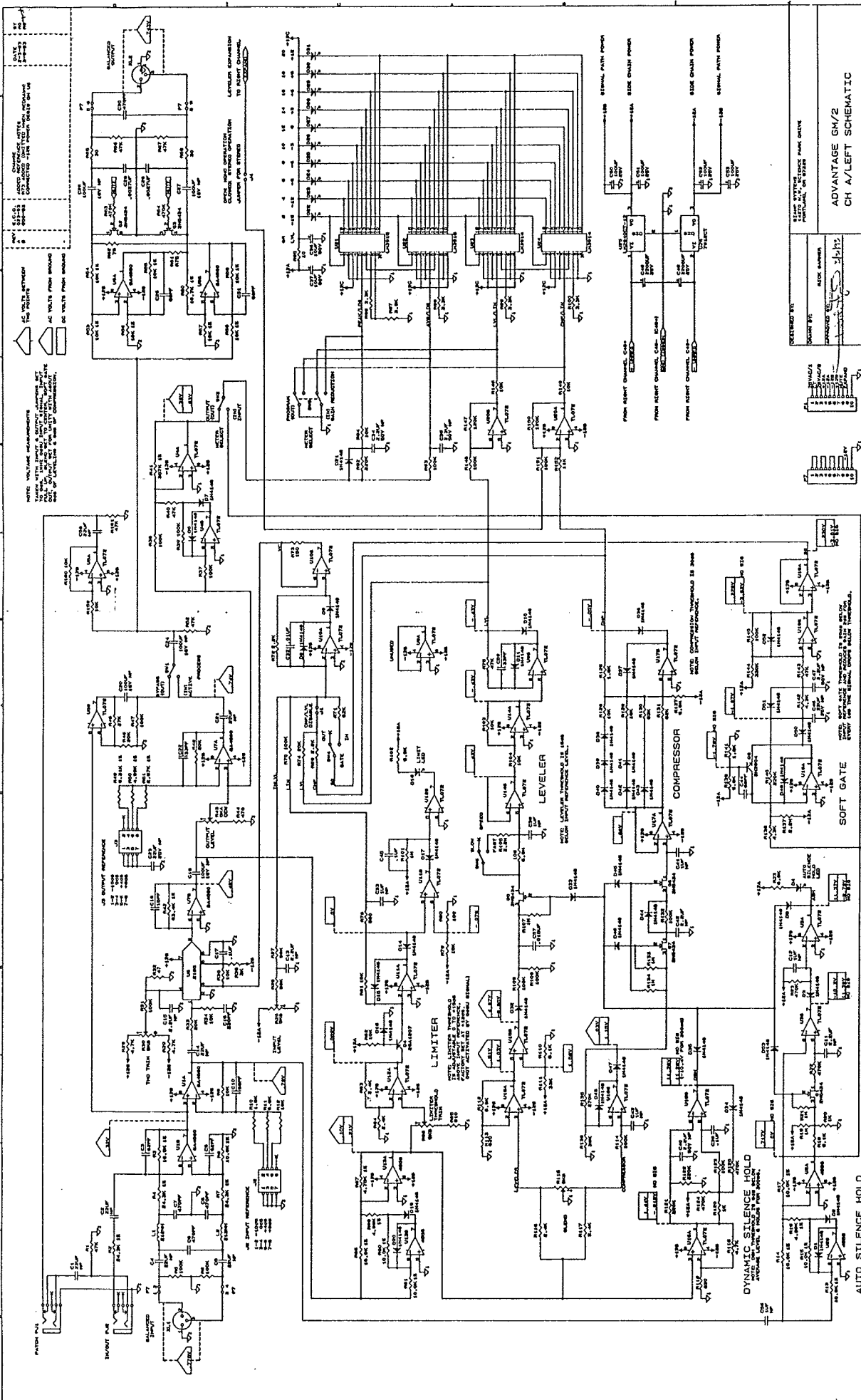
12 OUTPUT REFERENCE
 WITH 12V 100mA FUSE
 WITH 12V 100mA FUSE



ADVANTAGE GM/2
CH B/RIGHT SCHEMATIC
 700-0430-00
 1 of 1

WITH 12V 100mA FUSE
 WITH 12V 100mA FUSE
 WITH 12V 100mA FUSE

WITH 12V 100mA FUSE
 WITH 12V 100mA FUSE
 WITH 12V 100mA FUSE



ADVANTAGE GM/2
CH A/LEFT SCHEMATIC

700-0429-00

REV. 1

REV. 2

REV. 3

REV. 4

REV. 5

REV. 6

REV. 7

REV. 8

REV. 9

REV. 10

REV. 11

REV. 12

REV. 13

REV. 14

REV. 15

REV. 16

REV. 17

REV. 18

REV. 19

REV. 20

REV. 21

REV. 22

REV. 23

REV. 24

REV. 25

REV. 26

REV. 27

REV. 28

REV. 29

REV. 30

REV. 31

REV. 32

REV. 33

REV. 34

REV. 35

REV. 36

REV. 37

REV. 38

REV. 39

REV. 40

REV. 41

REV. 42

REV. 43

REV. 44

REV. 45

REV. 46

REV. 47

REV. 48

REV. 49

REV. 50

REV. 51

REV. 52

REV. 53

REV. 54

REV. 55

REV. 56

REV. 57

REV. 58

REV. 59

REV. 60

REV. 61

REV. 62

REV. 63

REV. 64

REV. 65

REV. 66

REV. 67

REV. 68

REV. 69

REV. 70

REV. 71

REV. 72

REV. 73

REV. 74

REV. 75

REV. 76

REV. 77

REV. 78

REV. 79

REV. 80

REV. 81

REV. 82

REV. 83

REV. 84

REV. 85

REV. 86

REV. 87

REV. 88

REV. 89

REV. 90

REV. 91

REV. 92

REV. 93

REV. 94

REV. 95

REV. 96

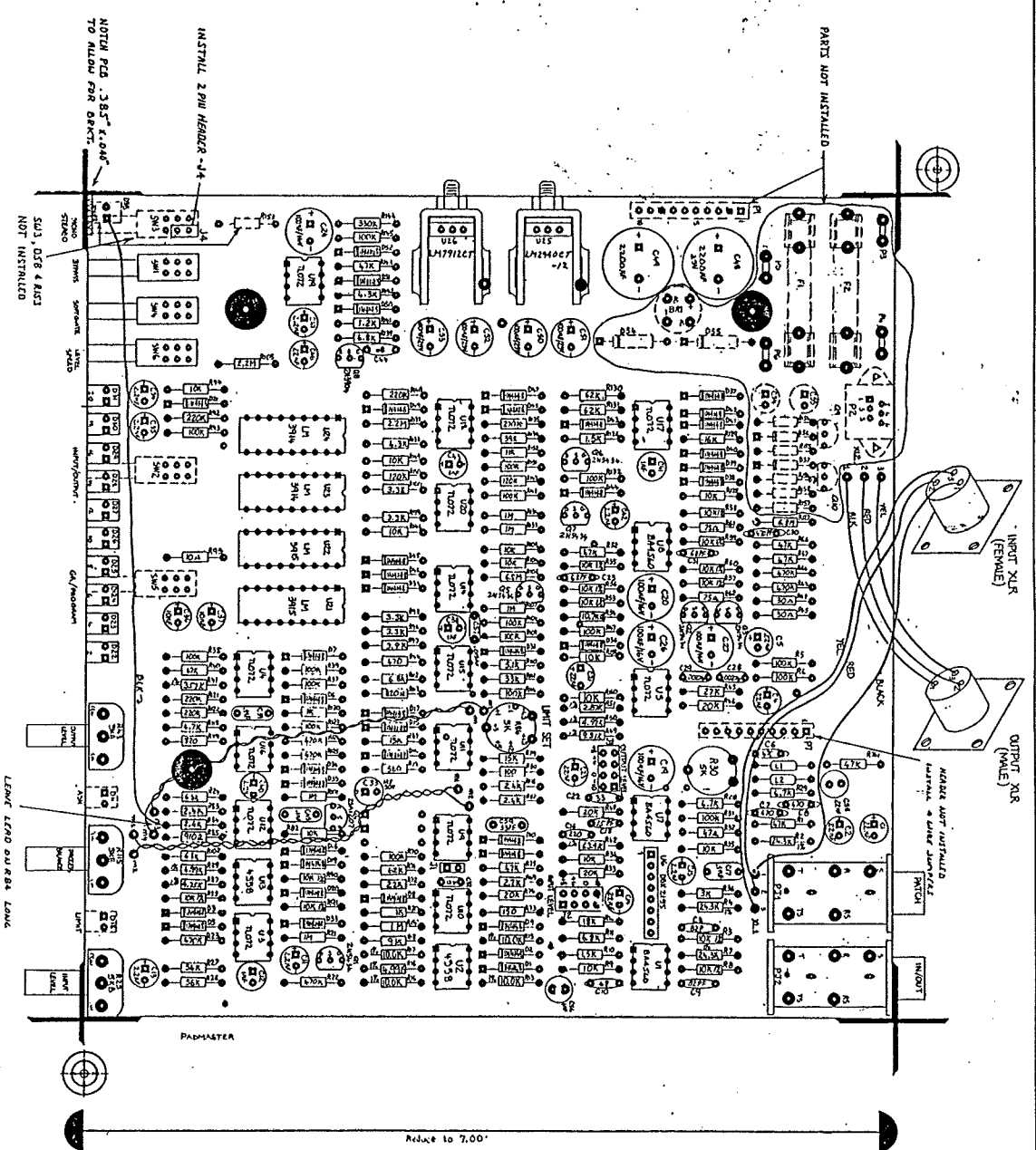
REV. 97

REV. 98

REV. 99

REV. 100

THIS DRAWING IS THE PROPERTY OF BICAMP SYSTEMS, INC. AND IS NOT TO BE REPRODUCED OR TRANSMITTED IN ANY FORM OR BY ANY MEANS, ELECTRONIC OR MECHANICAL, INCLUDING PHOTOCOPYING, RECORDING, OR BY ANY INFORMATION STORAGE AND RETRIEVAL SYSTEM, WITHOUT THE WRITTEN PERMISSION OF BICAMP SYSTEMS, INC.



PCB CH1-LEFT #701-0429-00

REV	DATE	DESCRIPTION	BY	CHKD
1	11/15/80	REVISED TO ADD 2N4301-2N4304	JH	JH
2	11/15/80	REVISED TO ADD 2N4305-2N4310	JH	JH
3	11/15/80	REVISED TO ADD 2N4311-2N4316	JH	JH
4	11/15/80	REVISED TO ADD 2N4317-2N4322	JH	JH
5	11/15/80	REVISED TO ADD 2N4323-2N4328	JH	JH
6	11/15/80	REVISED TO ADD 2N4329-2N4334	JH	JH
7	11/15/80	REVISED TO ADD 2N4335-2N4340	JH	JH
8	11/15/80	REVISED TO ADD 2N4341-2N4346	JH	JH
9	11/15/80	REVISED TO ADD 2N4347-2N4352	JH	JH
10	11/15/80	REVISED TO ADD 2N4353-2N4358	JH	JH
11	11/15/80	REVISED TO ADD 2N4359-2N4364	JH	JH
12	11/15/80	REVISED TO ADD 2N4365-2N4370	JH	JH
13	11/15/80	REVISED TO ADD 2N4371-2N4376	JH	JH
14	11/15/80	REVISED TO ADD 2N4377-2N4382	JH	JH
15	11/15/80	REVISED TO ADD 2N4383-2N4388	JH	JH
16	11/15/80	REVISED TO ADD 2N4389-2N4394	JH	JH
17	11/15/80	REVISED TO ADD 2N4395-2N4400	JH	JH

RIGHT ANGLE LED FRONT VIEW

0.8 x 2.255

TYPE	FINISHED SIZE	SOLE SIZE	HT
●	.032"	PTH	
■	.037"	PTH	
○	.049"	PTH	
●	.062"	PTH	
△	.093"	NPTD	
○	.128"	NPTD	
●	.156"	OPT	

2N4301 EDC
2N4302 EDC
2N4303 EDC
2N4304 EDC
2N4305 EDC
2N4306 EDC
2N4307 EDC
2N4308 EDC
2N4309 EDC
2N4310 EDC
2N4311 EDC
2N4312 EDC
2N4313 EDC
2N4314 EDC
2N4315 EDC
2N4316 EDC
2N4317 EDC
2N4318 EDC
2N4319 EDC
2N4320 EDC
2N4321 EDC
2N4322 EDC
2N4323 EDC
2N4324 EDC
2N4325 EDC
2N4326 EDC
2N4327 EDC
2N4328 EDC
2N4329 EDC
2N4330 EDC
2N4331 EDC
2N4332 EDC
2N4333 EDC
2N4334 EDC
2N4335 EDC
2N4336 EDC
2N4337 EDC
2N4338 EDC
2N4339 EDC
2N4340 EDC
2N4341 EDC
2N4342 EDC
2N4343 EDC
2N4344 EDC
2N4345 EDC
2N4346 EDC
2N4347 EDC
2N4348 EDC
2N4349 EDC
2N4350 EDC
2N4351 EDC
2N4352 EDC
2N4353 EDC
2N4354 EDC
2N4355 EDC
2N4356 EDC
2N4357 EDC
2N4358 EDC
2N4359 EDC
2N4360 EDC
2N4361 EDC
2N4362 EDC
2N4363 EDC
2N4364 EDC
2N4365 EDC
2N4366 EDC
2N4367 EDC
2N4368 EDC
2N4369 EDC
2N4370 EDC
2N4371 EDC
2N4372 EDC
2N4373 EDC
2N4374 EDC
2N4375 EDC
2N4376 EDC
2N4377 EDC
2N4378 EDC
2N4379 EDC
2N4380 EDC
2N4381 EDC
2N4382 EDC
2N4383 EDC
2N4384 EDC
2N4385 EDC
2N4386 EDC
2N4387 EDC
2N4388 EDC
2N4389 EDC
2N4390 EDC
2N4391 EDC
2N4392 EDC
2N4393 EDC
2N4394 EDC
2N4395 EDC
2N4396 EDC
2N4397 EDC
2N4398 EDC
2N4399 EDC
2N4400 EDC

REV	DATE	DESCRIPTION	BY	CHKD
1	12/15/83	REVISED TO ADD 2N4301-2N4304	JH	JH

bicamp SYSTEMS, INC.
LAMP SYSTEMS, INC.
COMPONENT LAYOUT
ADVANTAGE GM/2 A LEFT
701-0429-00
REVISED TO ADD 2N4301-2N4304
REVISED TO ADD 2N4305-2N4310
REVISED TO ADD 2N4311-2N4316
REVISED TO ADD 2N4317-2N4322
REVISED TO ADD 2N4323-2N4328
REVISED TO ADD 2N4329-2N4334
REVISED TO ADD 2N4335-2N4340
REVISED TO ADD 2N4341-2N4346
REVISED TO ADD 2N4347-2N4352
REVISED TO ADD 2N4353-2N4358
REVISED TO ADD 2N4359-2N4364
REVISED TO ADD 2N4365-2N4370
REVISED TO ADD 2N4371-2N4376
REVISED TO ADD 2N4377-2N4382
REVISED TO ADD 2N4383-2N4388
REVISED TO ADD 2N4389-2N4394
REVISED TO ADD 2N4395-2N4400

