

6

5

4

3

2

1

REVISION RECORD			
LTR	ECO NO.	APPROVED:	DATE:
B1	RES-8106,206,110-114,117,118, 210-214,217,218,163,164 changed.		
	CAP-C103,106,203,206 changed		

D

D

C

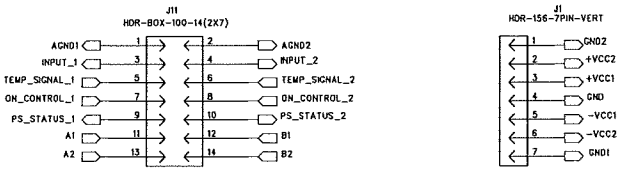
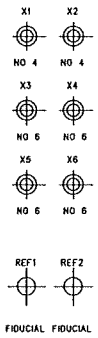
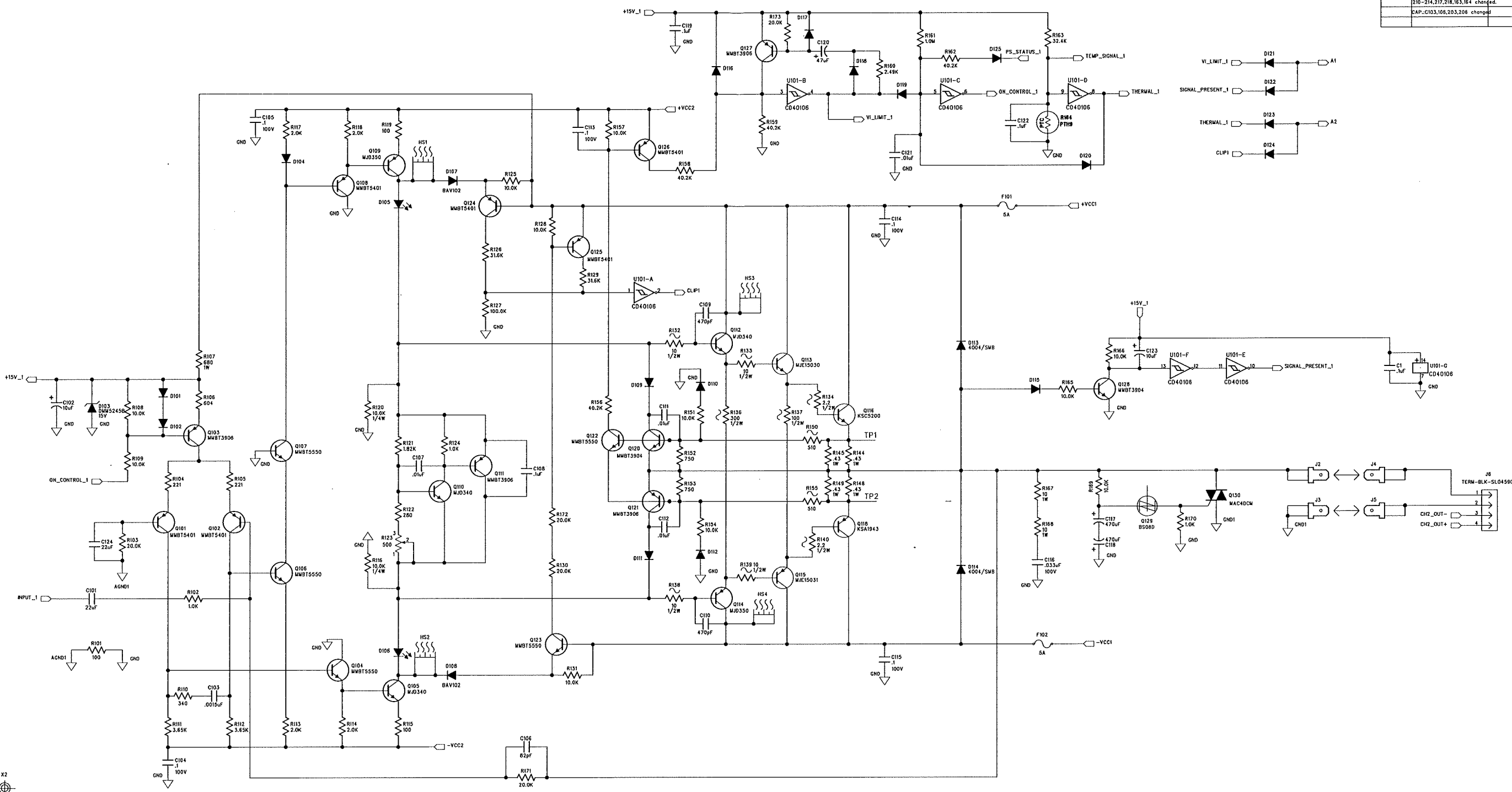
C

B

B

A

A



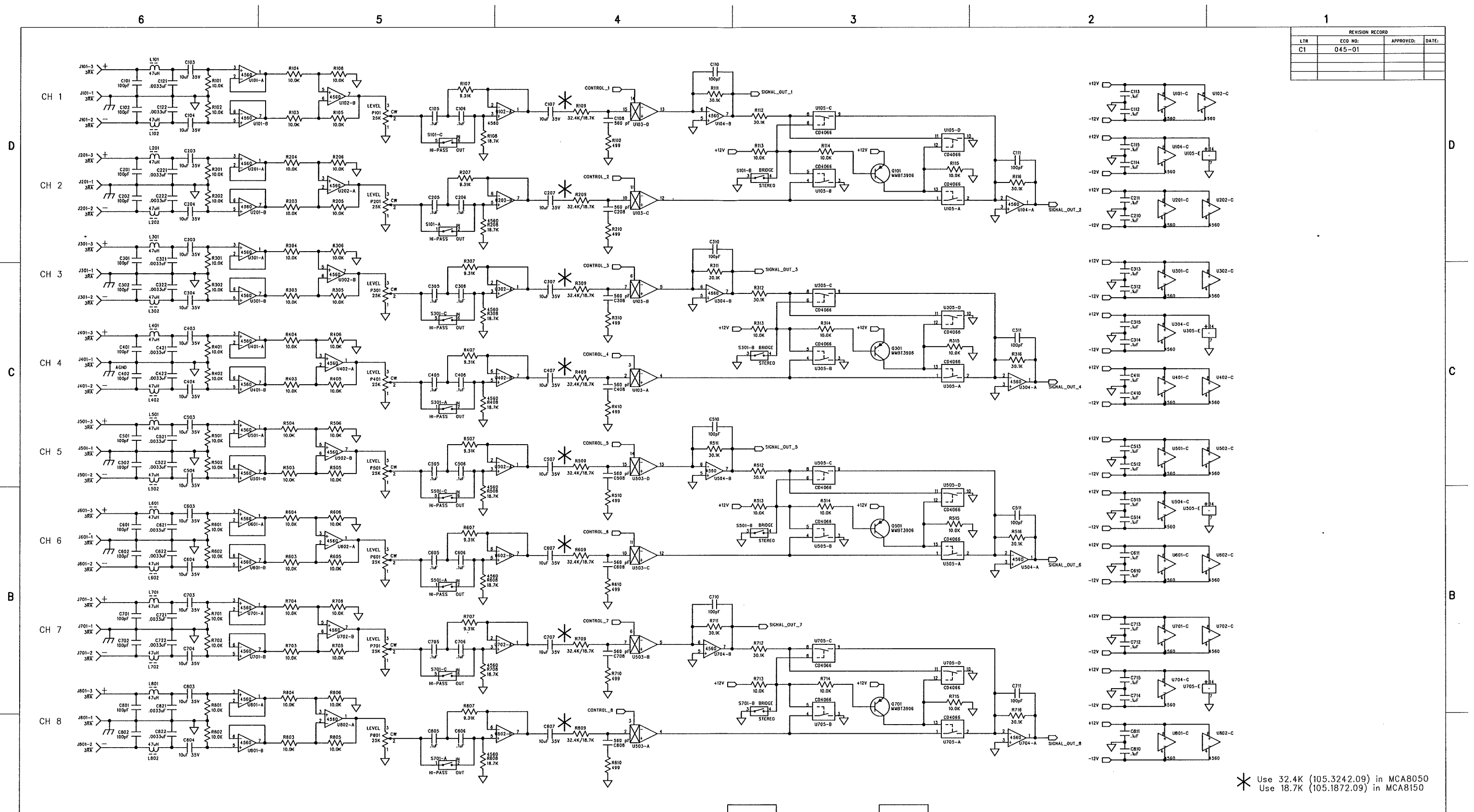
BIAMP SYSTEMS, INC.
10074 S.W. ARCTIC DRIVE
BEAVERTON, OR 97005

TITLE: MCA 8050 AMP

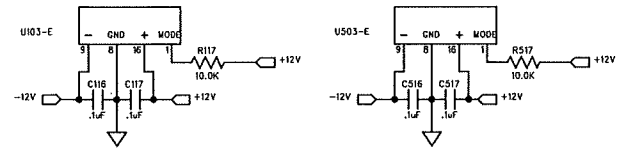
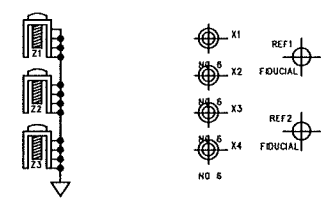
DRAWN: JRP	DATED: 03/07/01
CHECKED:	DATED:
QUALITY CONTROL:	DATED:
RELEASED:	DATED:

CODE:	SIZE: D	DRAWING NO: 700-0507-00	REV: B1
SCALE:	SHEET: 1 OF 2		

REVISION RECORD			
LTR	ECO NO.	APPROVED:	DATE:
C1	045-01		



* Use 32.4K (105.3242.09) in MCA8050
 Use 18.7K (105.1872.09) in MCA8150

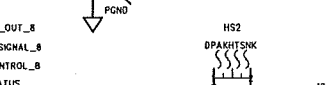
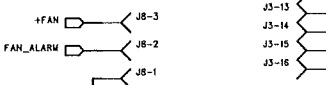
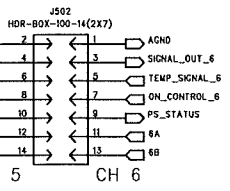
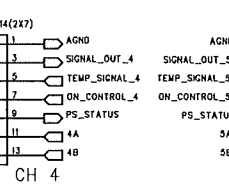
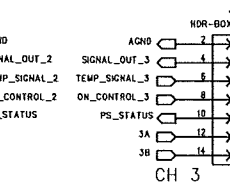
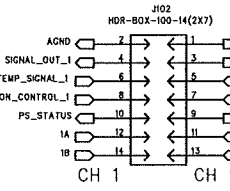
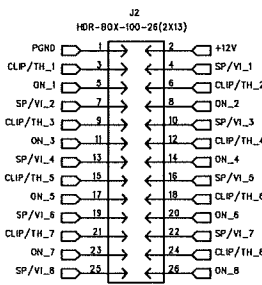
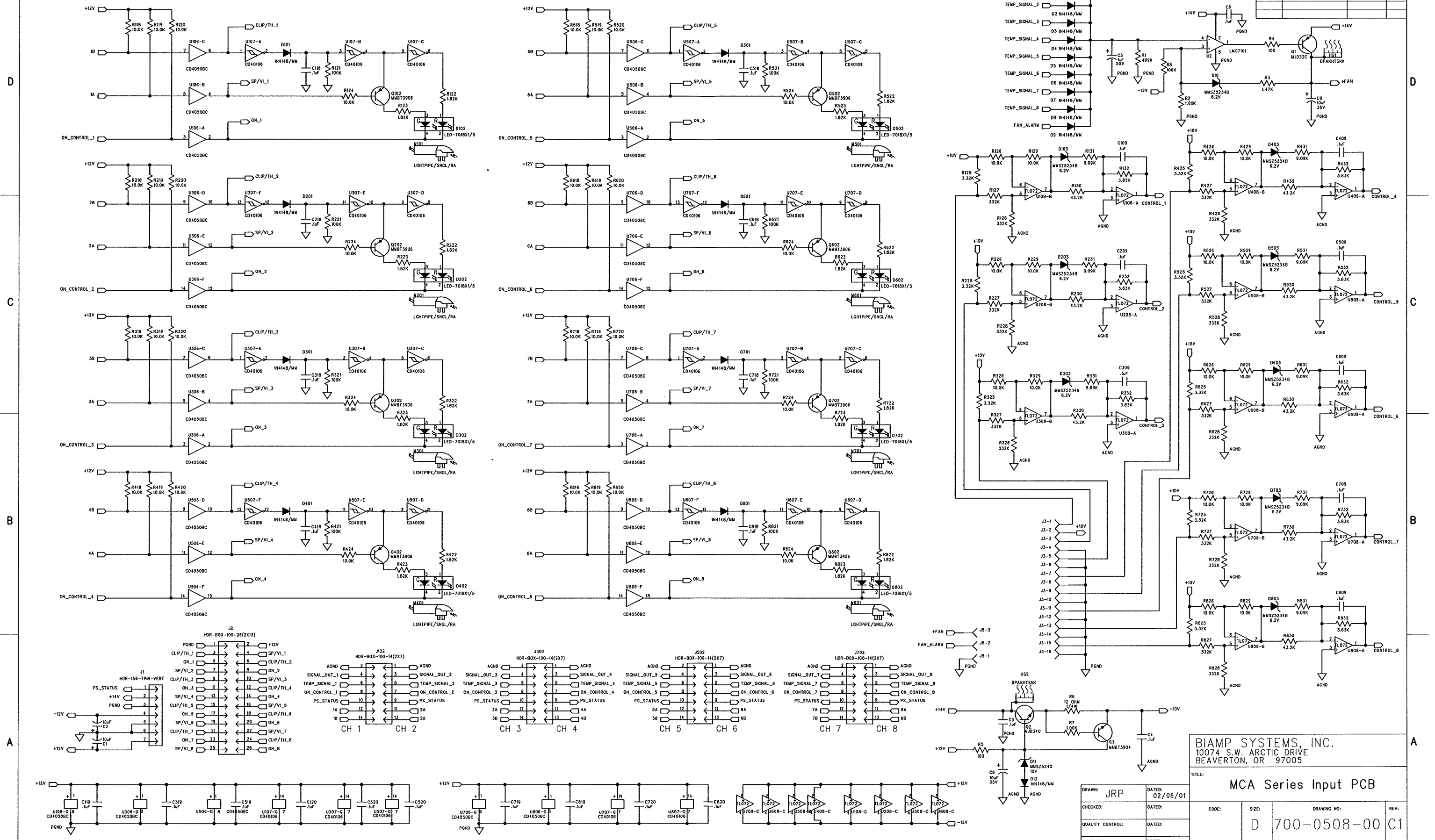


BIAMP SYSTEMS, INC.
 10074 S.W. ARCTIC DRIVE
 BEAVERTON, OR 97005

MCA Series Input PCB

DRAWN: JRP	DATE: 02/06/01	CODE:	SIZE:	DRAWING NO:	REV:
CHECKED:	DATE:	D	700-0508-00	C1	
QUALITY CONTROL:	DATE:	SCALE:	SHEET: 1 of 2		
RELEASED:	DATE:				

REVISION RECORD			
LYR	ECO NO.	APPROVED:	DATE:
C1	045-01		

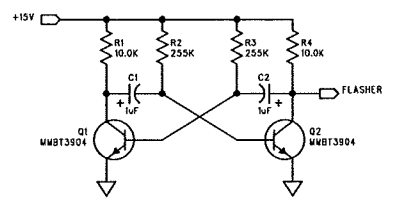
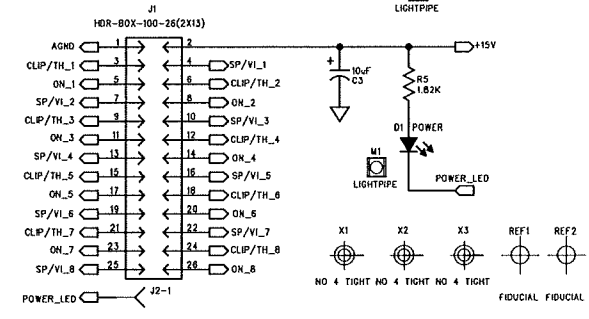
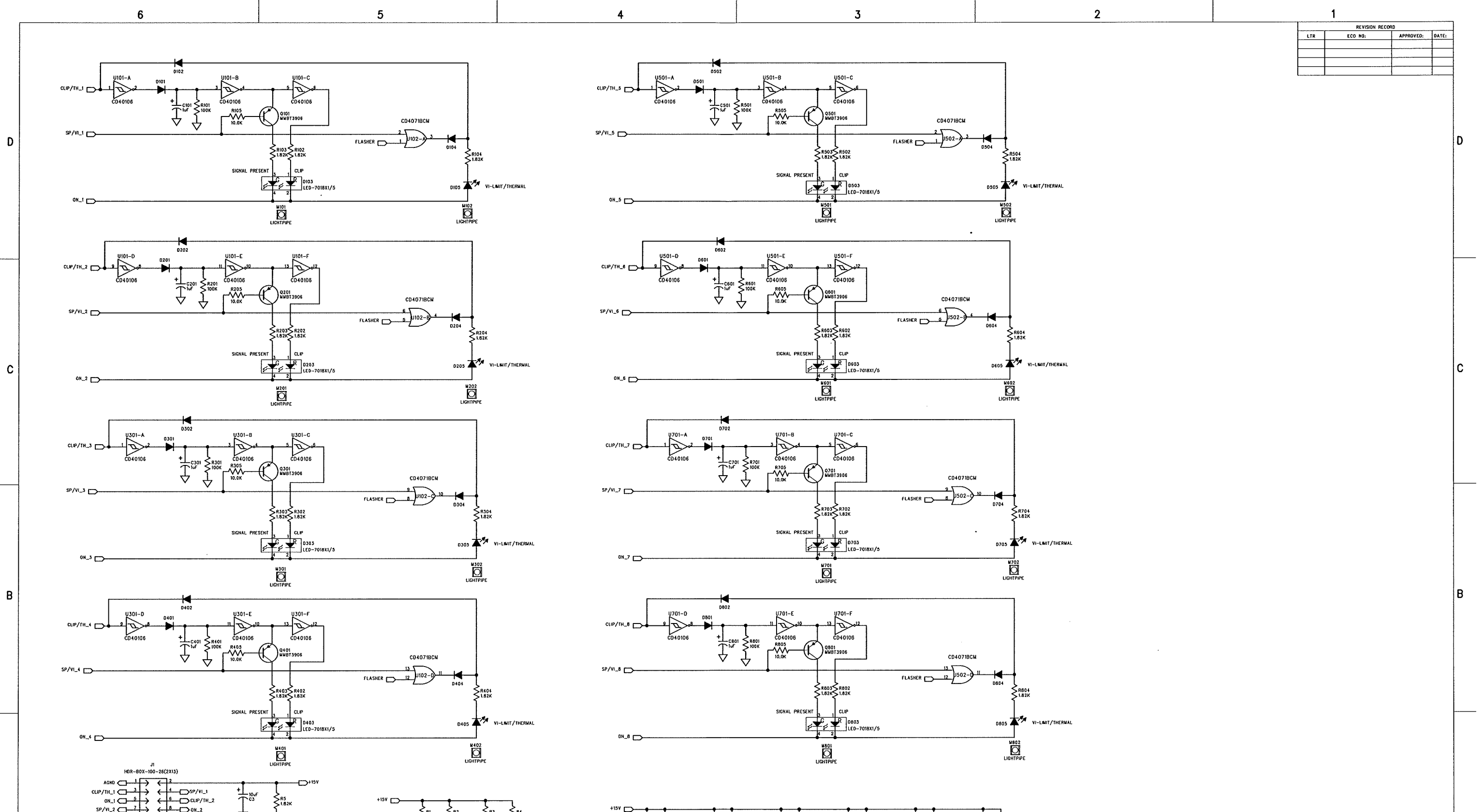


BIAMP SYSTEMS, INC.
10074 S.W. ARCTIC DRIVE
BEAVERTON, OR 97005

MCA Series Input PCB

DRAWN: JRP	DATE: 02/06/01	CODE:	SIZE:	DRAWING NO:	REV:
CHECKED:	DATE:			D 700-0508-00	C1
QUALITY CONTROL:	DATE:				
RELEASED:	DATE:				
SCALE:				SHEET: 2 OF 2	

REVISION RECORD			
LTR	ECD NO.	APPROVED:	DATE:

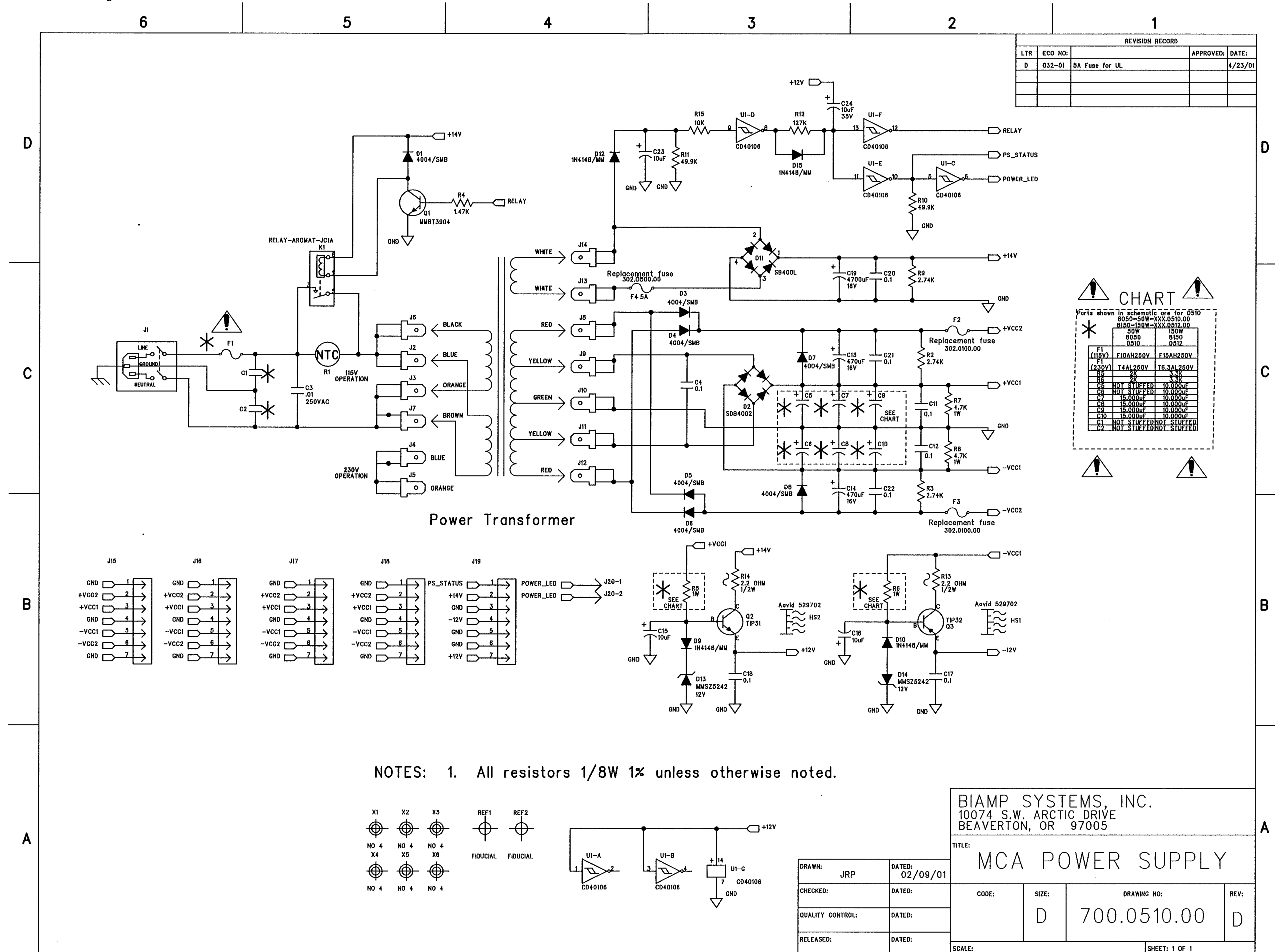


BIAMP SYSTEMS, INC.
10074 S.W. ARCTIC DRIVE
BEAVERTON, OR 97005

TITLE: MCA8050/8150 DISPLAY

DRAWN: JRP	DATE: 9/1/2000
CHECKED:	DATED:
QUALITY CONTROL:	DATED:
RELEASED:	DATED:

CODE:	SIZE:	DRAWING NO:	REV:
	D	700-0509-00	A
SCALE:	SHEET: 1 OF 1		

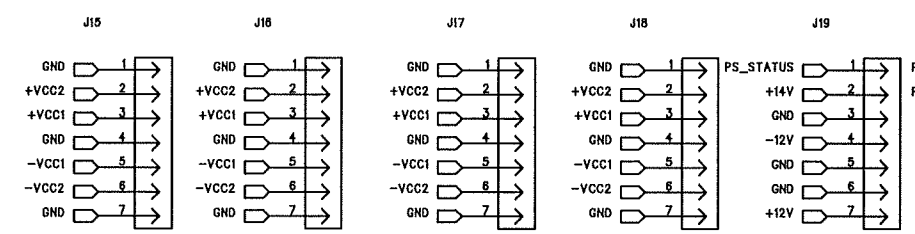


REVISION RECORD			
LTR	ECO NO:	APPROVED:	DATE:
D	D32-01	5A Fuse for UL	4/23/01

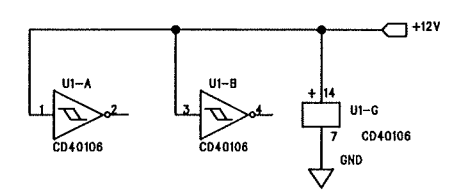
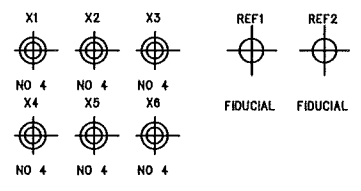
CHART

Parts shown in schematic are for 0510
 8050=50W-XXX.0510.00
 8150=150W-XXX.0512.00

	50W 0510	150W 8150 0512
F1	F10AH250V	F15AH250V
F1 (115V)	T4AL250V	T6.3AL250V
F1 (230V)		
R5	2K	3.3K
R6	2K	3.3K
C6	NOT STUFFED	10.000uF
C8	NOT STUFFED	10.000uF
C7	15.000uF	10.000uF
C8	15.000uF	10.000uF
C9	15.000uF	10.000uF
C10	15.000uF	10.000uF
C1	NOT STUFFED	NOT STUFFED
C2	NOT STUFFED	NOT STUFFED



NOTES: 1. All resistors 1/8W 1% unless otherwise noted.



BIAMP SYSTEMS, INC.
 10074 S.W. ARCTIC DRIVE
 BEAVERTON, OR 97005

TITLE: **MCA POWER SUPPLY**

DRAWN: JRP	DATED: 02/09/01	CODE:	SIZE: D	DRAWING NO: 700.0510.00	REV: D
CHECKED:	DATED:				
QUALITY CONTROL:	DATED:				
RELEASED:	DATED:				

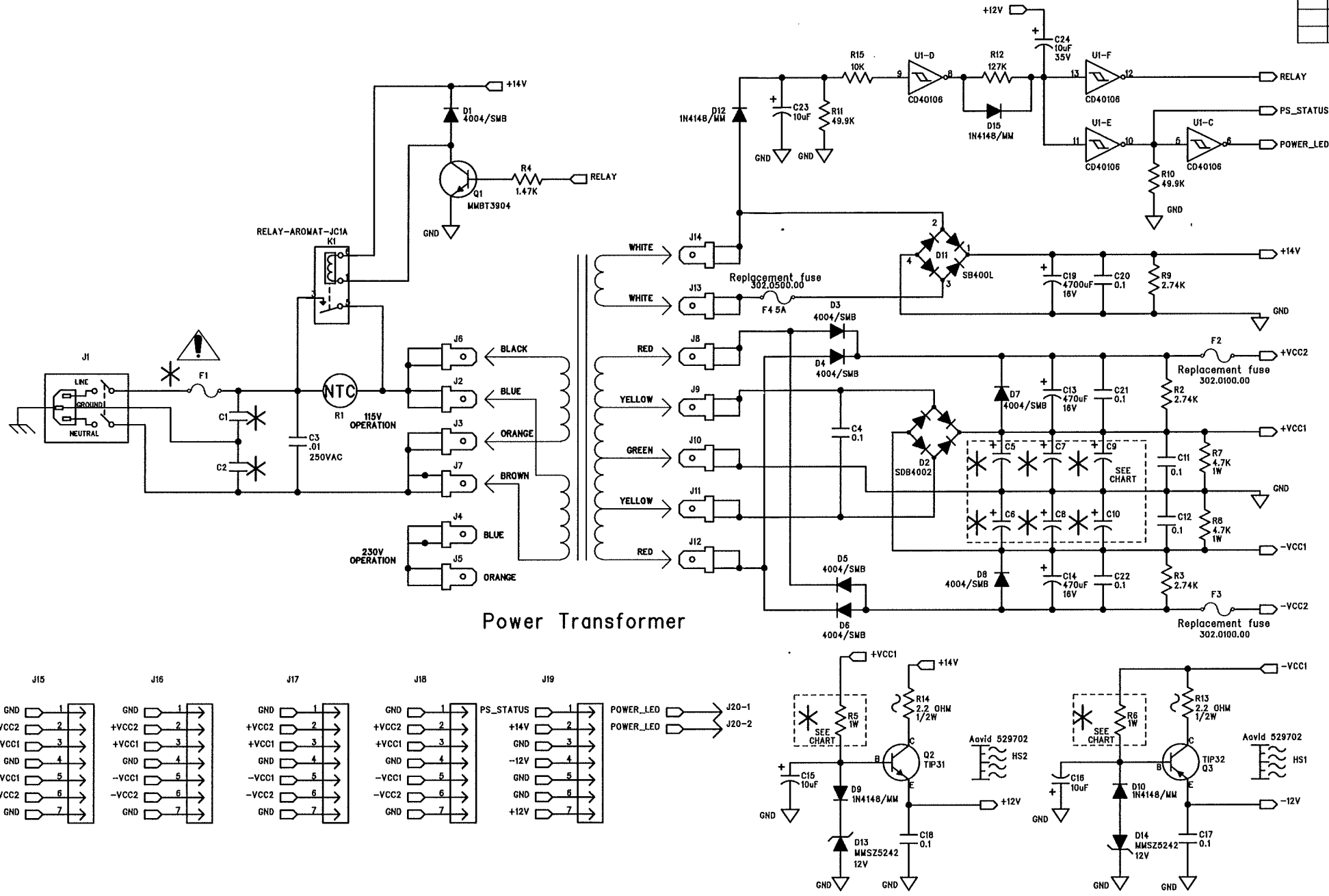
SCALE: SHEET: 1 OF 1

6 5 4 3 2 1

REVISION RECORD			
LTR	ECO NO:	APPROVED:	DATE:
D	032-01	5A Fuse for UL	4/23/01

D
C
B
A

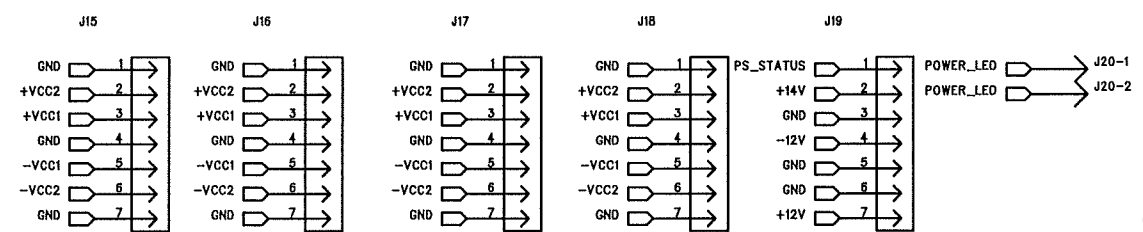
D
C
B
A



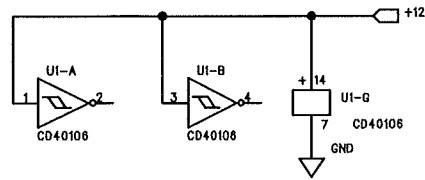
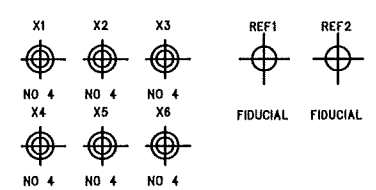
CHART

Parts shown in schematic are for 0510
8050=50W-XXX.0510.00
8150=150W-XXX.0512.00

F1	F10AH250V	F15AH250V
(115V)	T4AL250V	T6.3AL250V
(230V)	2K	3.3K
R5	2K	3.3K
R6	2K	3.3K
C5	NOT STUFFED	10.000uF
C6	NOT STUFFED	10.000uF
C7	15.000uF	10.000uF
C8	15.000uF	10.000uF
C9	15.000uF	10.000uF
C10	15.000uF	10.000uF
C11	NOT STUFFED	NOT STUFFED
C12	NOT STUFFED	NOT STUFFED



NOTES: 1. All resistors 1/8W 1% unless otherwise noted.



BIAMP SYSTEMS, INC.
10074 S.W. ARCTIC DRIVE
BEAVERTON, OR 97005

TITLE: MCA POWER SUPPLY			
CODE:	SIZE:	DRAWING NO:	REV:
	D	700.0510.01	A
SCALE:			SHEET: 1 OF 1

DRAWN:	JRP	DATED:	02/09/01
CHECKED:		DATED:	
QUALITY CONTROL:		DATED:	
RELEASED:		DATED:	

REVISION RECORD			
LTR	ECO NO.	APPROVED:	DATE:
B1	RES-RIGS,206,110-114,117,118, 210-214,217,218,153,154 changed.		
	CAP-C103,106,203,205 changed.		

D

D

C

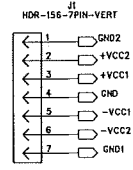
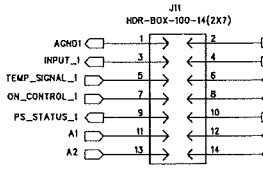
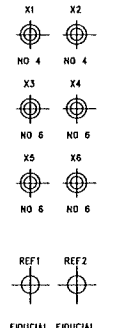
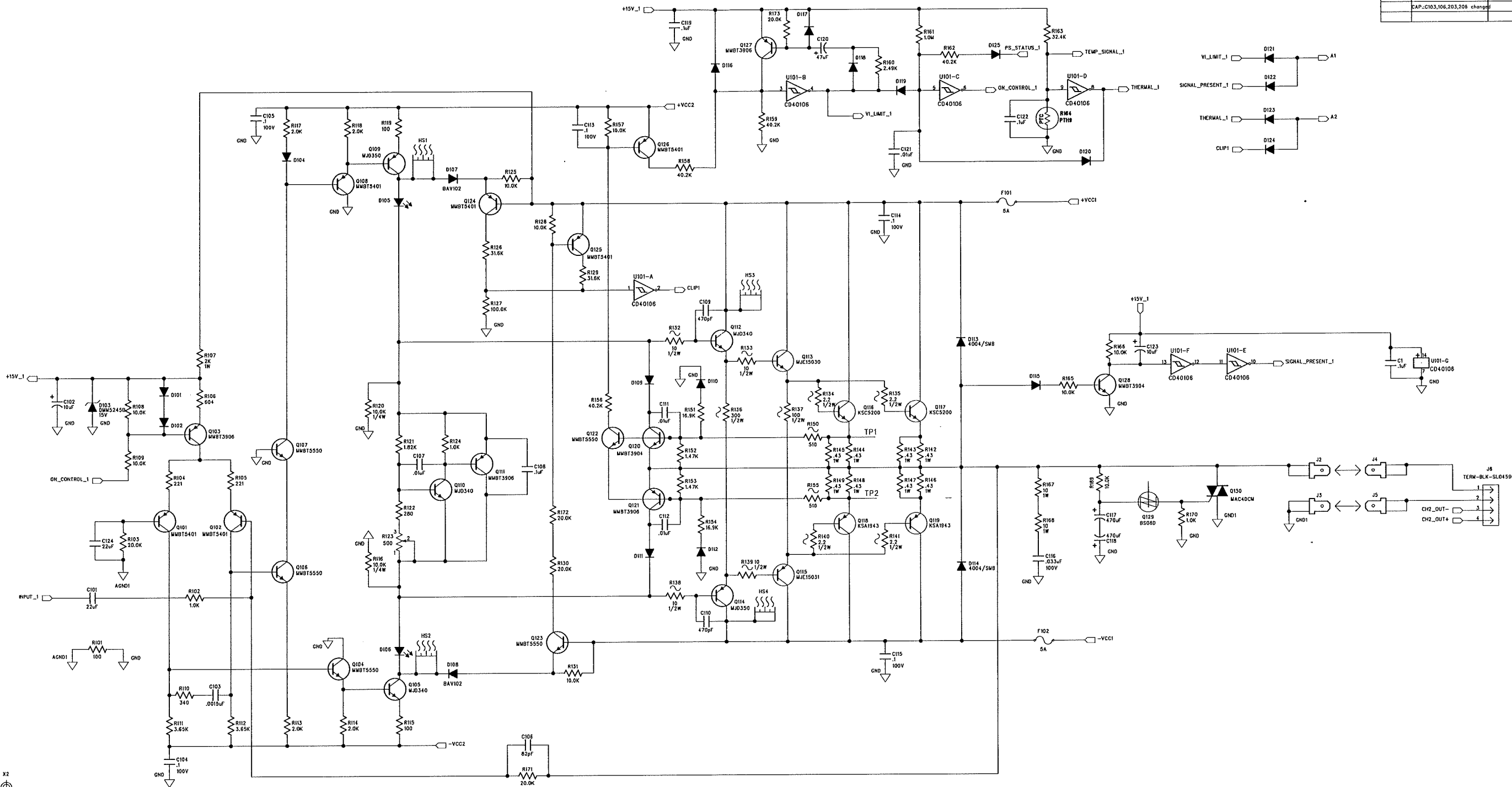
C

B

B

A

A



BIAMP SYSTEMS, INC.
10074 S.W. ARCTIC DRIVE
BEAVERTON, OR 97005

TITLE: MCA 8150 AMP

DRAWN: JRP	DATED: 03/07/01
CHECKED:	DATED:
QUALITY CONTROL:	DATED:
RELEASED:	DATED:

CODE:	SIZE: D	DRAWING NO: 700-0511-00	REV: B1
SCALE:	SHEET: 1 OF 2		

6

5

4

3

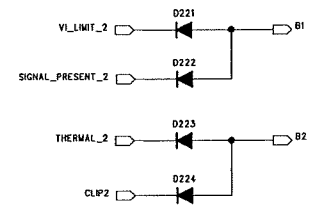
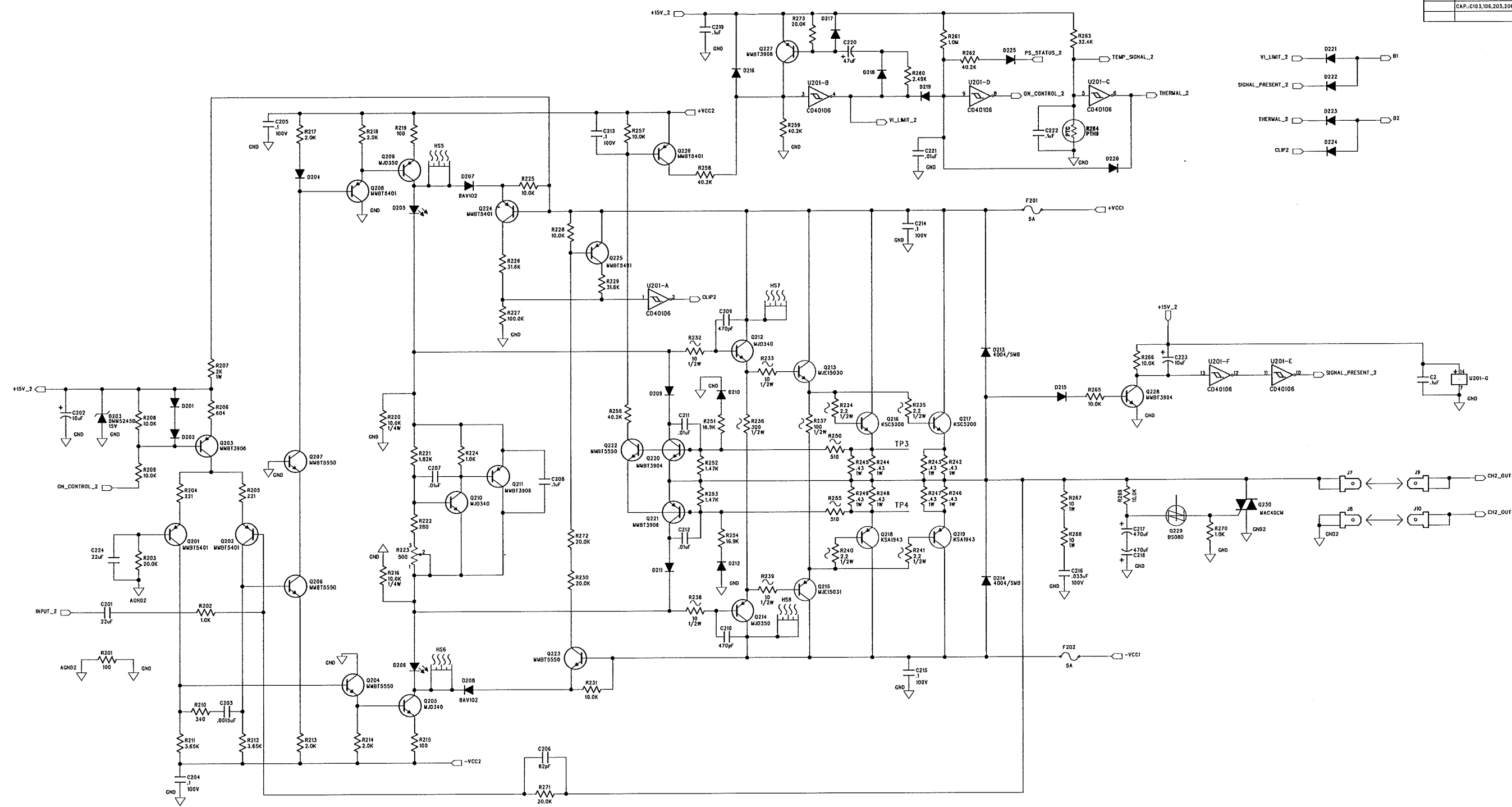
2

1

REVISION RECORD			
LTR	ECO NO:	APPROVED:	DATE:
B1	RES-8106,206,110-114,117,118, 210-214,217,218,163,263 changed.		
	CAP.:C103,106,203,206 changed.		

D
C
B
A

D
C
B
A



BIAMP SYSTEMS, INC.
10074 S.W. ARCTIC DRIVE
BEAVERTON, OR 97005

TITLE: MCA 8150 AMP

DRAWN: JRP	DATED: 03/07/01	CODE:	SIZE: D	DRAWING NO: 700-0511-00	REV: B1
CHECKED:	DATED:	SCALE:			
QUALITY CONTROL:	DATED:				
RELEASED:	DATED:				

6

5

4

3

2

1

D

D

C

C

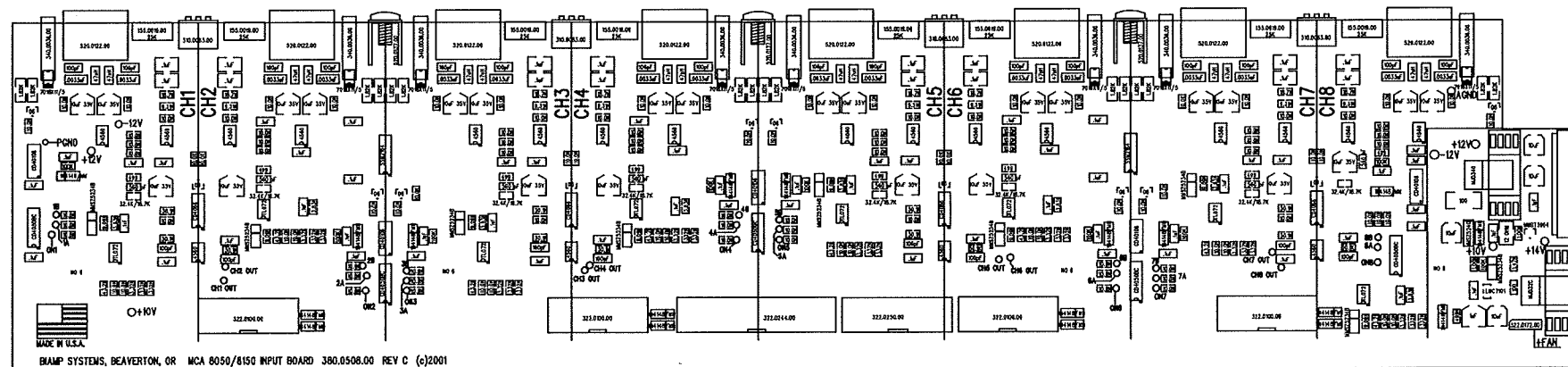
B

B

A

A

REVISION RECORD			
LTR	ECO No:	APPROVED:	DATE:
C1	045-01		



MMBT3906

"06" = MMBT 3906

Sheet 1 of 6 : Silkscreen

Sheet 2 of 6 : Component Side

Sheet 6 of 6 : Solder Mask (component)

BIAMP SYSTEMS, INC
 10074 SW Arctic Drive
 Beaverton, Oregon 97005
 (503) 641-7287

380-0508-00 REV C1

BIAMP SYSTEMS, INC. 10074 S.W. ARCTIC DRIVE BEAVERTON, OR 97005			
TITLE: MCA8050/8150 INPUT BOARD COMPONENT LAYOUT			
DRAWN: VK	DATED: 06/14/01	CODE:	SIZE:
CHECKED:	DATED:	701-0508-00	REVISION: C1
QUALITY CONTROL:	DATED:	DRAWING NO. 701-0508-00	
RELEASED:	DATED:	REV: C1	
SCALE:		SHEET: 1 OF 2	

6

5

4

3

2

1

REVISION RECORD			
LTR	ECO NO:	APPROVED:	DATE:
C1	045-01		

D

D

C

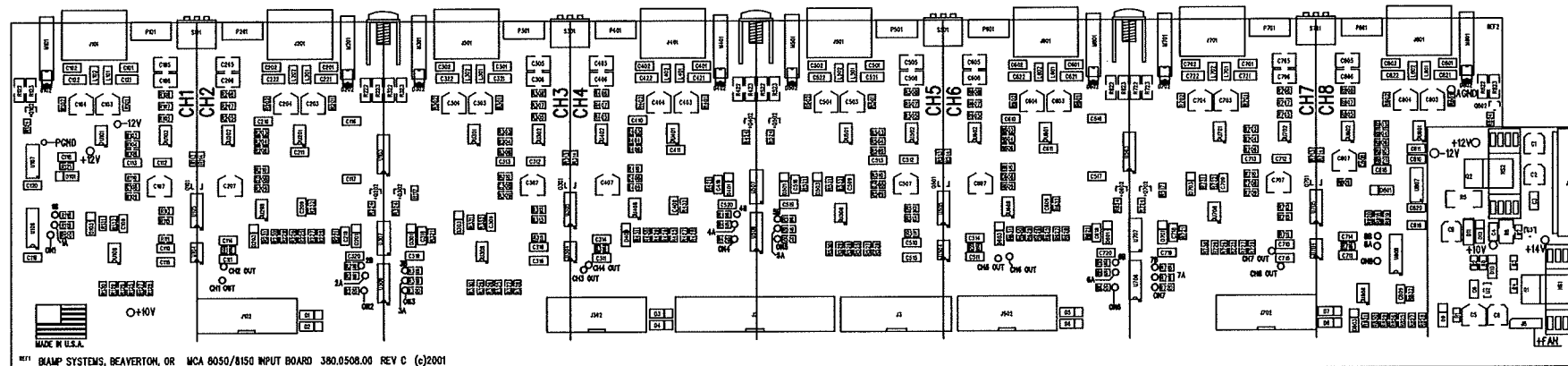
C

B

B

A

A



BIAMP SYSTEMS, BEAVERTON, OR MCA 8050/8150 INPUT BOARD 380.0508.00 REV C (c)2001

C
B E
MMBT3906
"06" = MMBT 3906
Sheet 1 of 6 : Silkscreen
Sheet 2 of 6 : Component Side

BIAMP SYSTEMS, INC
10074 SW Arctic Drive
Beaverton, Oregon 97005
(503) 641-7287
380-0508-00 REV C1

BIAMP SYSTEMS, INC. 10074 S.W. ARCTIC DRIVE BEAVERTON, OR 97005			
TITLE: MCA8050/8150 INPUT BOARD COMPONENT LAYOUT			
DRAWN: VK	DATED: 06/14/01	CODE:	SIZE:
CHECKED:	DATED:	DRAWING NO: 701-0508-00	REV: C1
QUALITY CONTROL:	DATED:	SCALE:	
RELEASED:	DATED:	SHEET: 2 OF 2	

6

5

4

3

2

1

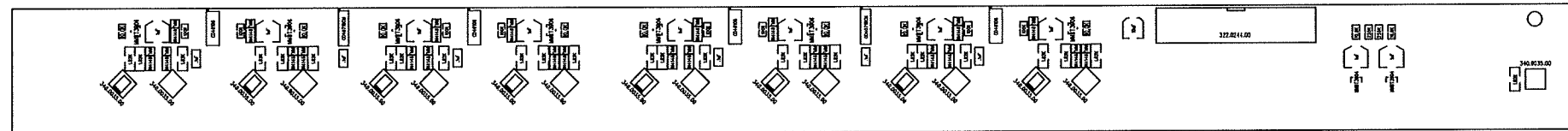
REVISION RECORD			
LTR	ECO NO:	APPROVED:	DATE:

D

D

C

C



BIAMP SYSTEMS, INC
 10074 SW Arctic Drive
 Beaverton, Oregon 97005
 (503) 641-7287
 380-0509-00 REV A

B

B

A

A

BIAMP SYSTEMS, INC. 10074 S.W. ARCTIC DRIVE BEAVERTON, OR 97005			
TITLE: MCA DISPLAY BOARD COMPONENT VALUES			
DRAWN: VK	DATED: 01/09/01	CODE:	SIZE:
CHECKED:	DATED:	DRAWING NO: 701.0509.00	
QUALITY CONTROL:	DATED:	REV: A	
RELEASED:	DATED:	SCALE:	SHEET: 1 OF 2

6 5 4 3 2 1

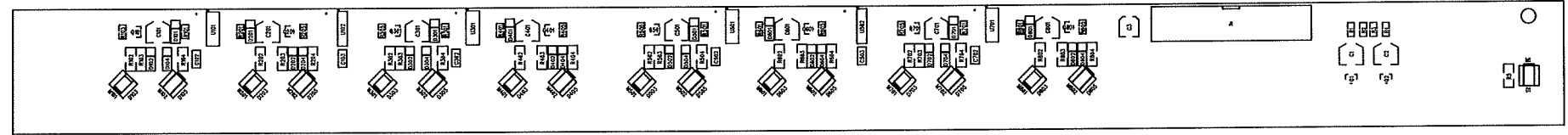
REVISION RECORD			
LTR	ECO NO.	APPROVED:	DATE:

D

D

C

C



BIAMP SYSTEMS, INC
 10074 SW Arctic Drive
 Beaverton, Oregon 97005
 (503) 641-7287
 380-0509-00 REV A

B

B

A

A

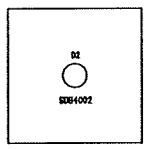
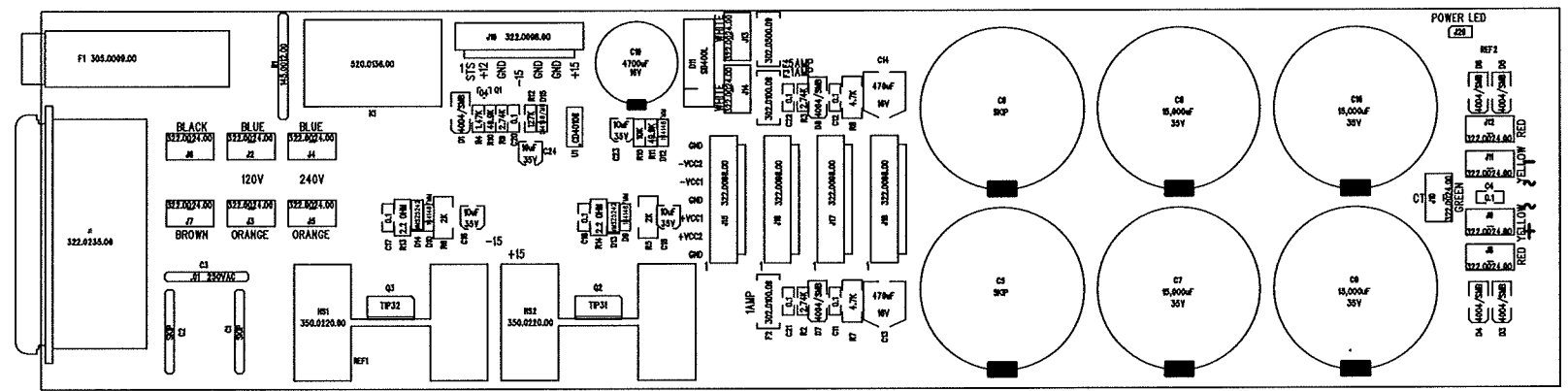
BIAMP SYSTEMS, INC.
 10074 S.W. ARCTIC DRIVE
 BEAVERTON, OR 97005

TITLE: MCA DISPLAY BOARD
 REFERENCE DESIGNATORS

DRAWN:	VK	DATED:	01/09/01
CHECKED:		DATED:	
QUALITY CONTROL:		DATED:	
RELEASED:		DATED:	

CODE:	SIZE:	DRAWING NO:	REV:
		701.0509.00	A

SCALE: SHEET: 2 OF 2



BIAMP SYSTEMS, INC
 10074 SW Arctic Drive
 Beaverton, Oregon 97005
 (503) 641-7287
PCB 380.0510.01 REV A

Sheet 2 of 6 : Component Side

DRAWN	01/18/01	BIAMP SYSTEMS, INC	
CHECKED		10074 SW Arctic Drive, Beaverton OR 97005	
DESIGN		MCA 8050 POWER SUPPLY	
APPROVED		DWG. NO. 701.0510.01	REV A SHEET 1 OF 1

6

5

4

3

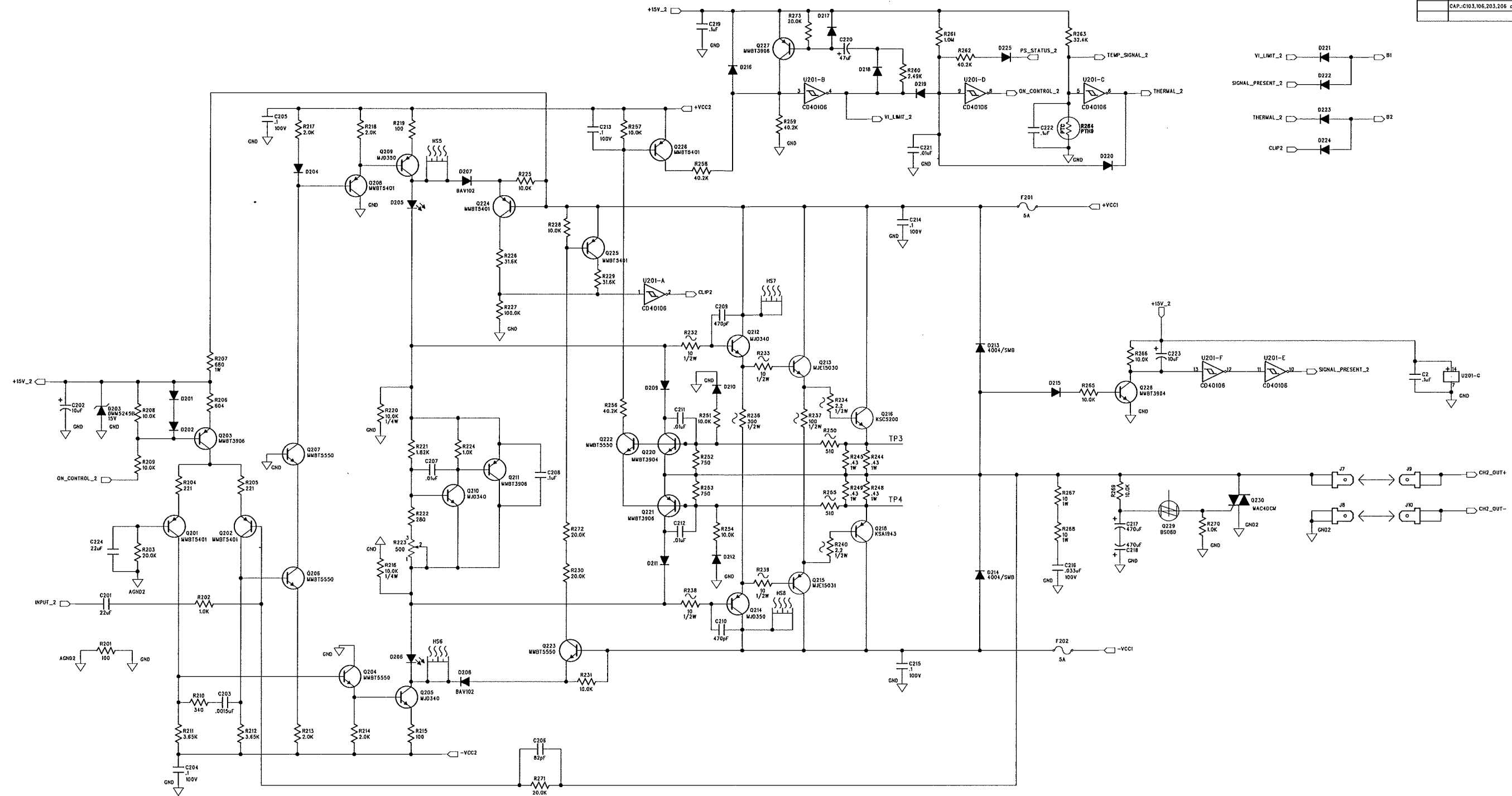
2

1

REVISION RECORD			
LTR	ECO NO.	APPROVED:	DATE:
B1	RES-R106,206,110-114,117,118, 210-214,217,218,163,263 changed.		
	CAP-C103,106,203,206 changed.		

D
C
B
A

D
C
B
A



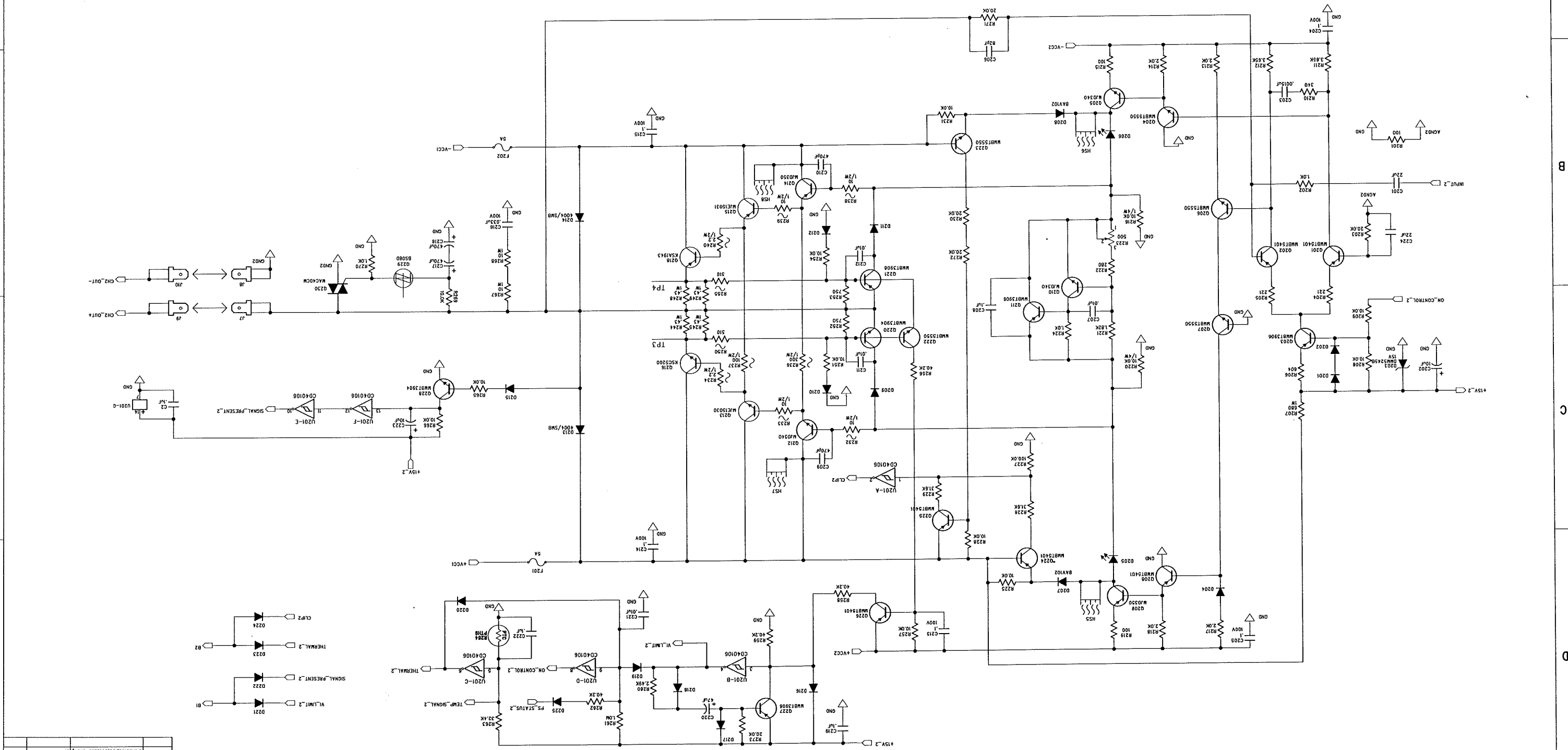
BIAMP SYSTEMS, INC.
10074 S.W. ARCTIC DRIVE
BEAVERTON, OR 97005

TITLE: **MCA 8050 AMP**

DRAWN: JRP	DATED: 03/07/01
CHECKED:	DATED:
QUALITY CONTROL:	DATED:
RELEASED:	DATED:

CODE:	SIZE: D	DRAWING NO: 700-0507-00	REV: B1
SCALE:			SHEET: 2 OF 2

REVISION RECORD	
LTN	ECO NO:
B1	BES 8108.206.110-11.17.18.
	210-214.217.218.153.253 4/24/14
	CAP-0103.106.201.105 4/24/14



DATE: 03/07/01		DRAWN: JRP	
DATE:	CHECKED:	DATE:	QUALITY CONTROL:
DATE:	RELEASED:	DATE:	
SCALE:		SHEET: 2 OF 2	

BIAMP SYSTEMS, INC.
 10074 S.W. ARCTIC DRIVE
 BEAVERTON, OR 97005

MCA 8050 AMP

DRAWING NO: 700-0507-00 B1
 SIZE: D
 CODE:

A

B

C

D

1

2

3

4

5

6

