

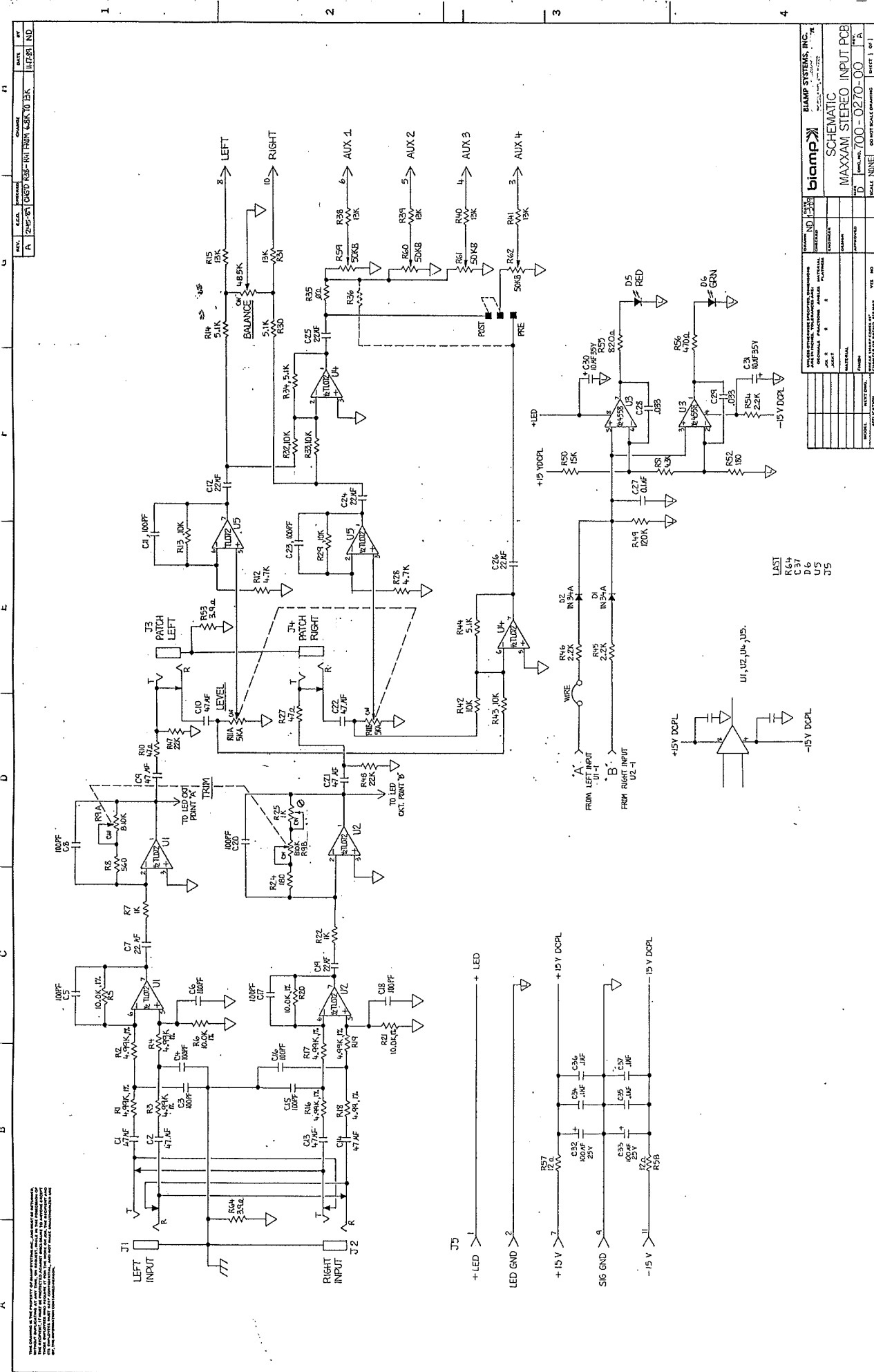
Maxxam 8x8

Schematic

B I A M P[®]

S Y S T E M S

THE INFORMATION IS THE PROPERTY OF BIAMP SYSTEMS, INC. AND IS NOT TO BE REPRODUCED OR TRANSMITTED IN ANY FORM OR BY ANY MEANS, ELECTRONIC OR MECHANICAL, INCLUDING PHOTOCOPYING, RECORDING, OR BY ANY INFORMATION STORAGE AND RETRIEVAL SYSTEM. THE INFORMATION IS UNCLASSIFIED AND IS NOT SUBJECT TO EXPORT CONTROLS.



REV. NO.	A	DATE	11/23/81
DESIGNED BY	A. J. JONES		
CHECKED BY	D. J. JONES		
DATE	11/23/81		
BY	ND		

BIAMP SYSTEMS, INC.	NO. 1338
10000 W. 10th Ave., Denver, CO 80202	PHONE: 303-751-1100
SCHEMATIC	
MAXXAM STEREO INPUT PCB	
DATE	11/23/81
BY	A. J. JONES
SCALE	NONE
DESIGN SCALE	AS SHOWN
SHEET	1 OF 1

1 2 3 4

A B C D E F G H

DATE	11/23/81
BY	A. J. JONES
CHECKED BY	D. J. JONES
DATE	11/23/81
BY	ND

LAST
R64
C37
U5
J5

U1, U2 JUN. U.S.

FROM LEFT INPUT
U1-1

FROM RIGHT INPUT
U2-1

TO LED
PRINT 'A'

TO LED
PRINT 'B'

TO LED
PRINT 'X'

TO LED
PRINT 'Y'

TO LED
PRINT 'Z'

TO LED
PRINT 'A'

TO LED
PRINT 'B'

TO LED
PRINT 'X'

TO LED
PRINT 'Y'

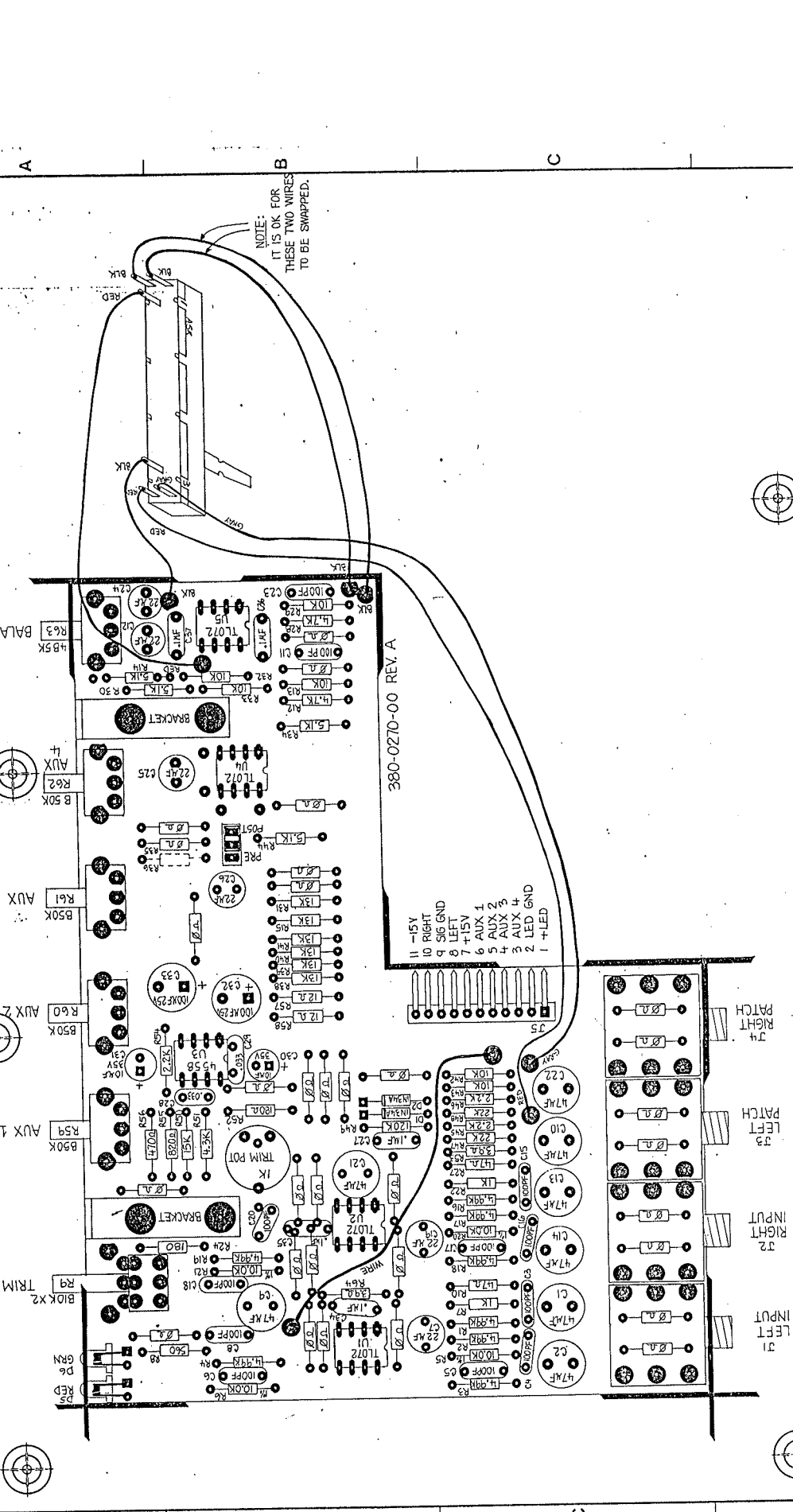
REV.	E.C.D.	CHANGE	DATE	BY
A	2/15/81	CHG'D R38, R39, R40, R41 FROM 1K TO 5K	11-1781	ND

REV.	E.C.D.	CHANGE	DATE	BY
4				

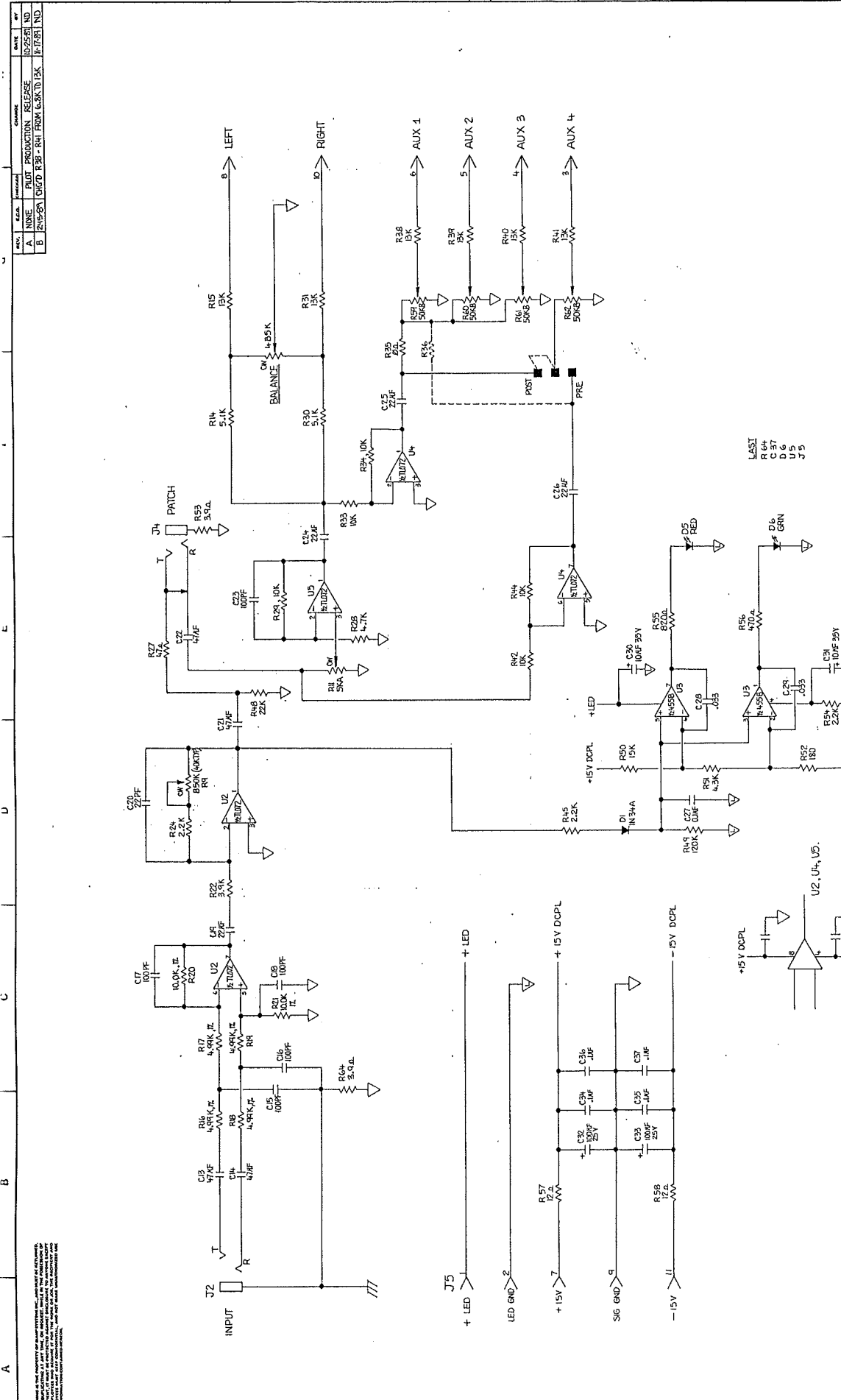
REV.	E.C.D.	CHANGE	DATE	BY
3				

REV.	E.C.D.	CHANGE	DATE	BY
2				

THIS DRAWING IS THE PROPERTY OF BIAMP SYSTEMS, INC. AND IS LOANED TO YOU FOR YOUR INFORMATION ONLY. IT IS NOT TO BE REPRODUCED OR TRANSMITTED IN ANY FORM OR BY ANY MEANS, ELECTRONIC OR MECHANICAL, INCLUDING PHOTOCOPYING, RECORDING, OR BY ANY INFORMATION STORAGE AND RETRIEVAL SYSTEM. ANY UNAUTHORIZED USE OF THIS INFORMATION IS PROHIBITED.



ITEM	PART NO.	DESCRIPTION	SIZE	QTY.
biamp BIAMP SYSTEMS				
COMPONENT LAYOUT				
MAXXAM STEREO INPUT PCB				
SCALE 2X				
DO NOT SCALE DIMENSIONS				
DRAWN BY: ND				
DATE: 11-80				
CHECKED BY: [Signature]				
DESIGNED BY: [Signature]				
APPROVED BY: [Signature]				
MATERIAL: [Blank]				
FINISH: [Blank]				
MODEL: [Blank]				
NEXT DWG: [Blank]				
APPLICATION: [Blank]				



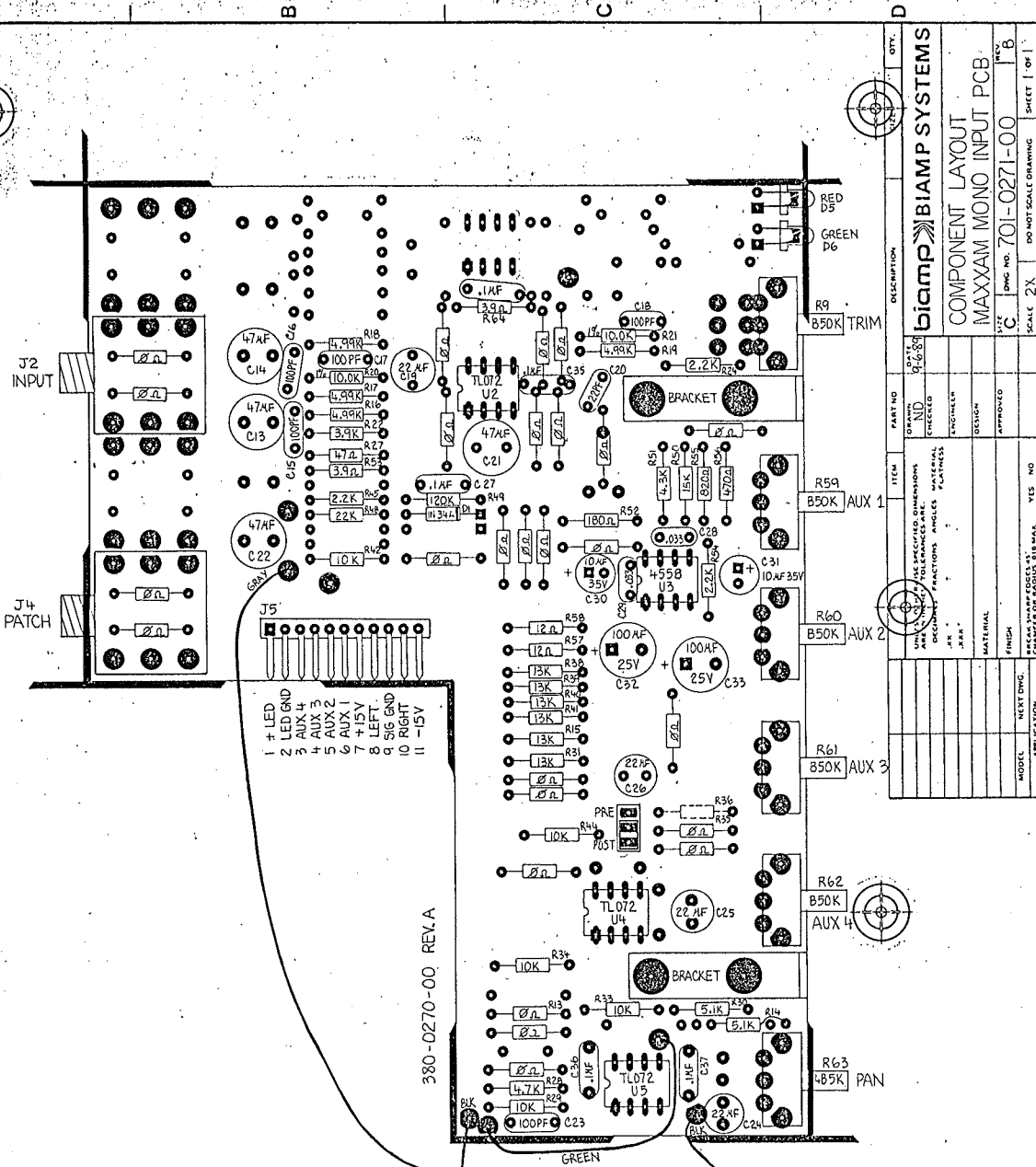
DESIGN NO.	F1554
REV.	
DATE	
BY	
DESCRIPTION	MAXXAM MONO INPUT PCB
PROJECT	
DRAWN	
CHECKED	
APPROVED	
MATERIAL	
MODEL	
INLET TIME	
PROCESSOR	
PCB FAB	
PCB NO.	
PCB QTY	

BIAMP SYSTEMS, INC.
 5400 VAN COTT BLVD.
 CHICAGO, ILL. 60630

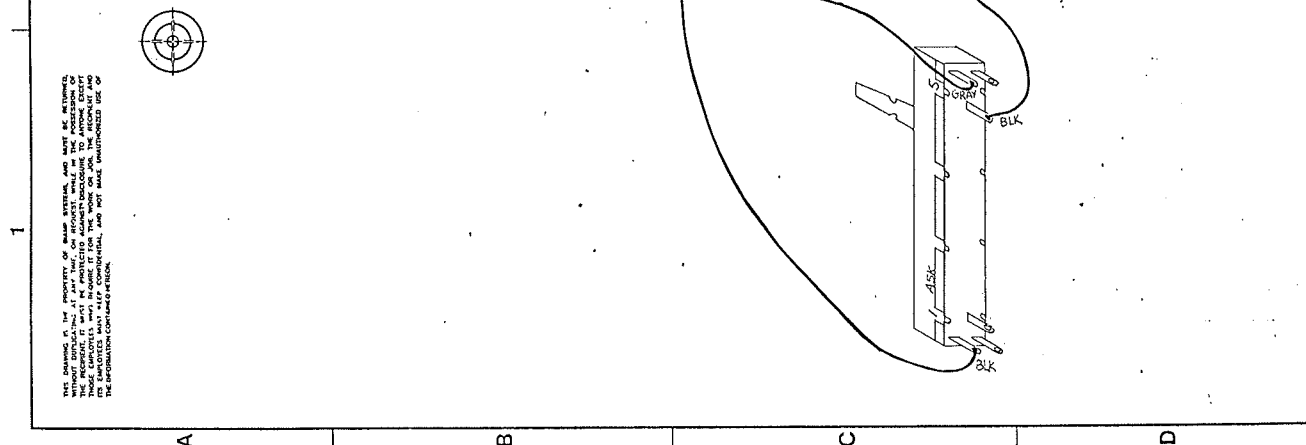
SCHMATIC
 MAXXAM MONO INPUT PCB
 700-0271-00
 REV. 10/25/81
 SHEET 1 OF 1

THIS DRAWING IS THE PROPERTY OF BIAMP SYSTEMS, INC. AND MUST BE RETURNED TO THE COMPANY WHEN NO LONGER REQUIRED. NO PART OF THIS DRAWING IS TO BE REPRODUCED OR TRANSMITTED IN ANY FORM OR BY ANY MEANS, ELECTRONIC OR MECHANICAL, INCLUDING PHOTOCOPYING, RECORDING, OR BY ANY INFORMATION STORAGE AND RETRIEVAL SYSTEM. THE INFORMATION CONTAINED HEREIN IS UNCLASSIFIED.

REV.	E.C.O.	CHANGE	DATE	BY
A	ND	PILOT PRODUCTION RELEASE	10-25-88	ND
B	ND	CHANGE FROM 85K TO 100K	11-17-88	ND



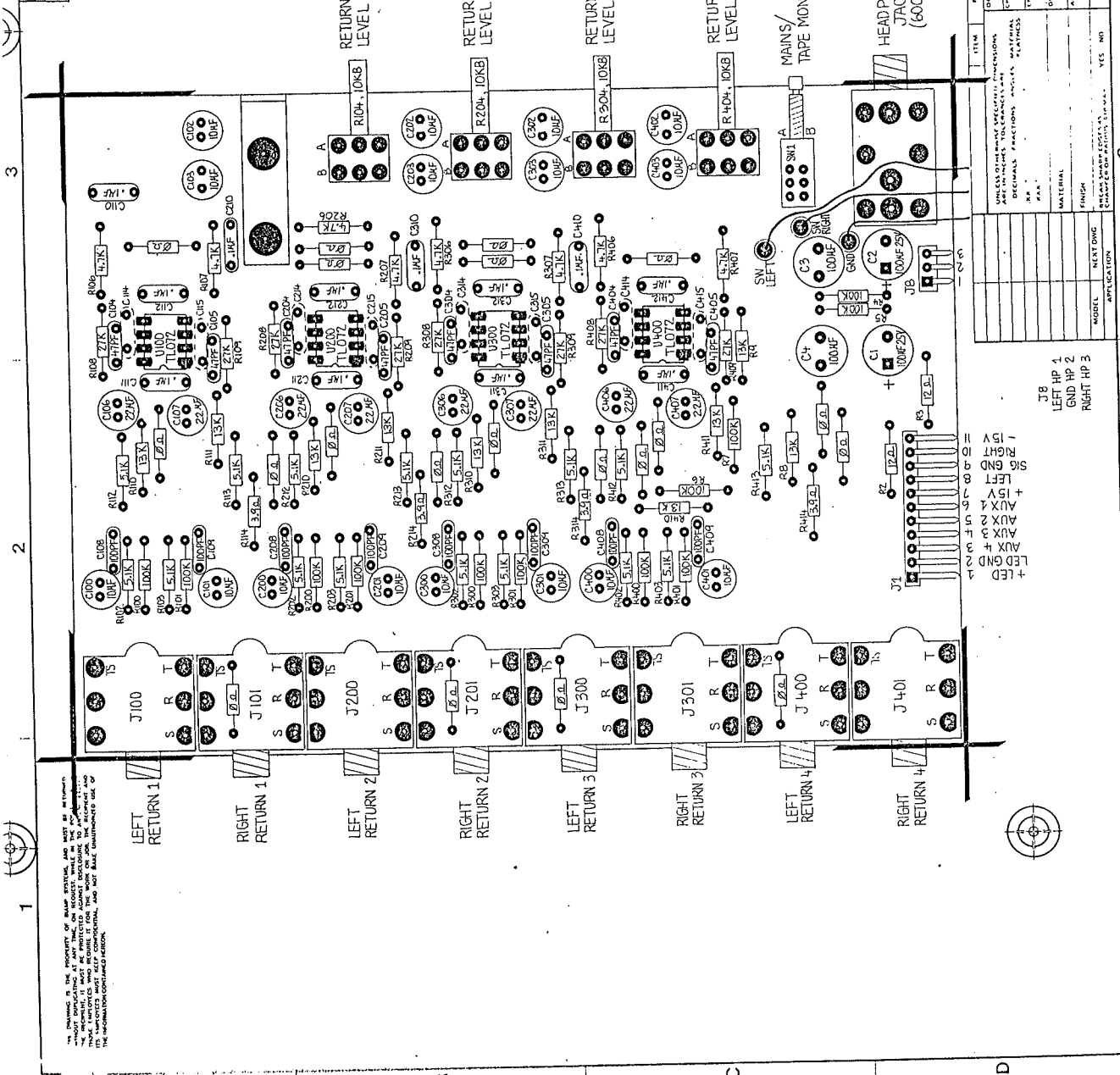
ITEM	PART NO.	DESCRIPTION	QTY.
1	ND	MAXXAM MONO INPUT PCB	1
2	ND	RESISTORS	100
3	ND	CAPACITORS	50
4	ND	IC'S	5
5	ND	CONNECTORS	3
6	ND	BRACKET	2
7	ND	PAN	1
8	ND	TRIM	1
9	ND	AUX 1	1
10	ND	AUX 2	1
11	ND	AUX 3	1
12	ND	AUX 4	1
13	ND	PAN	1



MODEL	FINISH	APPROVED	SCALE	SHEET	OF
380-0270-00	GREEN	ND	2X	1	1

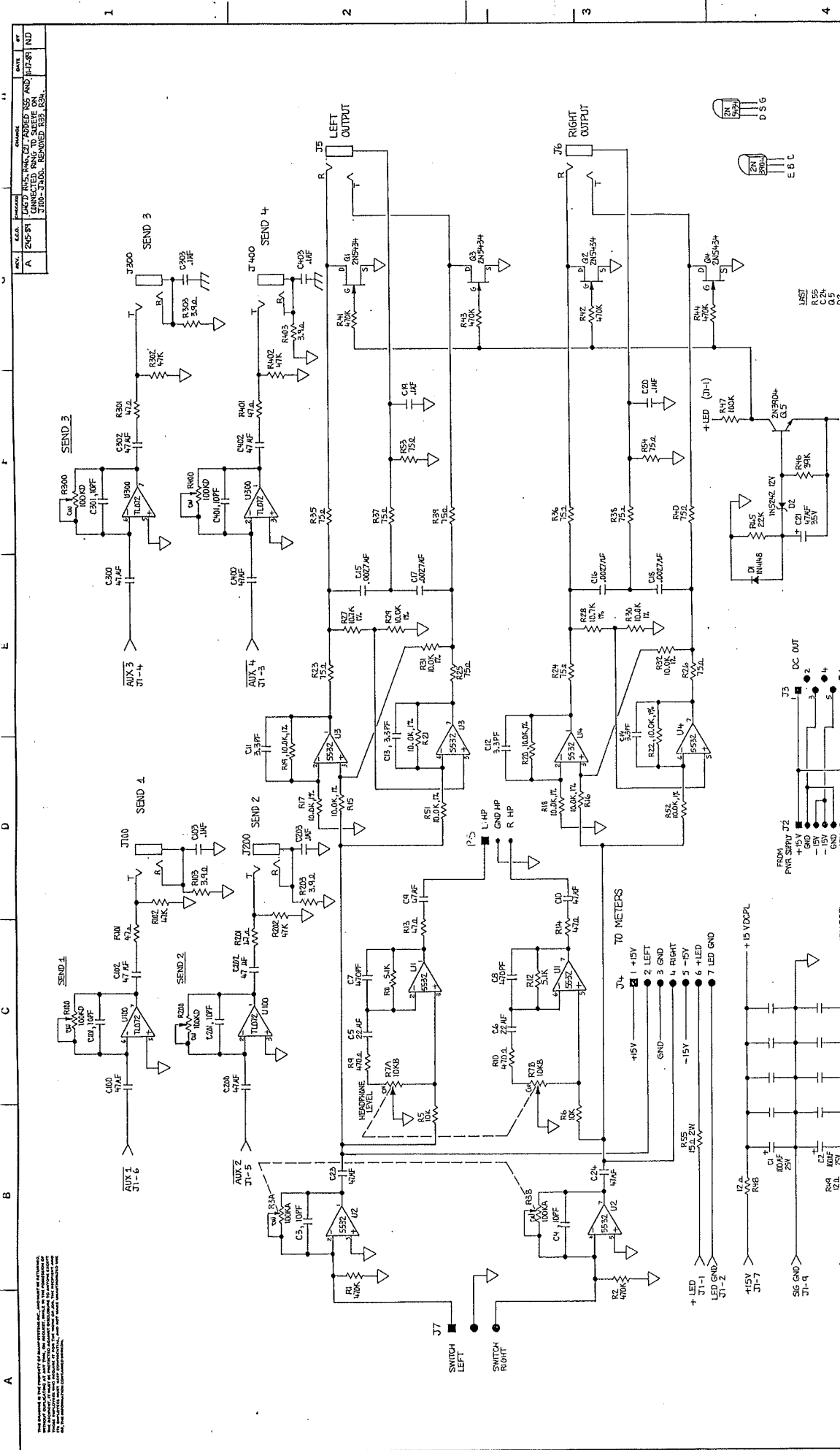
REV	E.C.O.	DATE	BY
A	2/15/89	11/6/89	ND

CHG'D C068, C109 THRU C408, C409 FROM B20PF TO 100PF - CHG'D R103, R111 - R110, R111 FROM 6.2K TO 10K



ITEM	PART NO.	DESCRIPTION	SIZE	QTY.
BIAMP SYSTEMS				
COMPONENT LAYOUT				
MAXXAM RETURNS PCB				
SCALE NONE D-NOT SCALE DRAWING SHEET 1 OF 1				

UNLESS OTHERWISE SPECIFIED, DIMENSIONS ARE IN INCHES. FRACTIONS SHALL BE IN 16THS. MATERIALS ARE TO BE USED AS SHOWN. FINISH IS TO BE AS SHOWN. MODEL NEXT ENG. APPLICATION



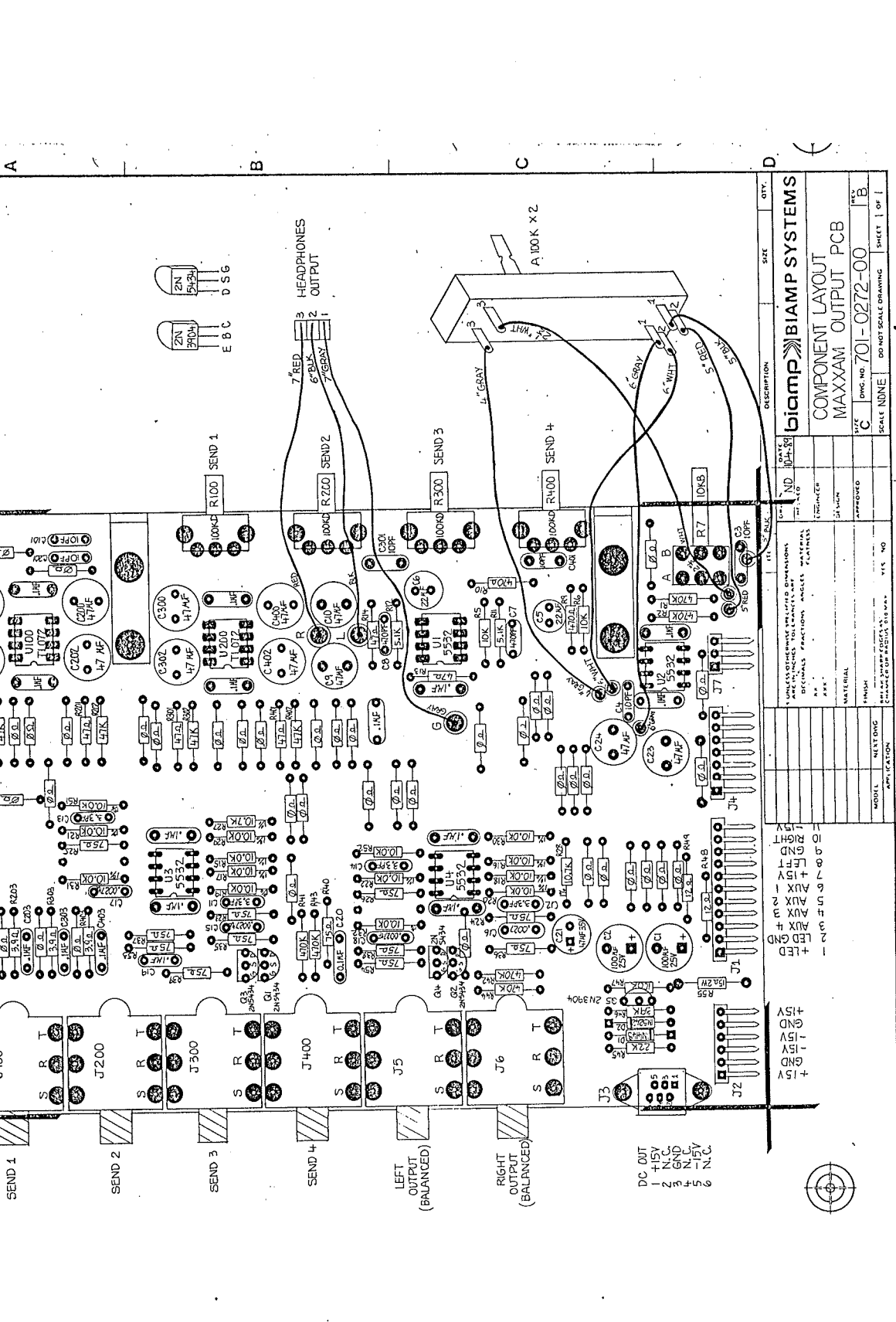
REV.	DATE	BY
A	2/15/81	ND
UNLESS OTHERWISE SPECIFIED, ALL PARTS TO BE PURCHASED FROM THE MANUFACTURER'S RECOMMENDED SOURCE. DIMENSIONS ARE IN INCHES UNLESS OTHERWISE SPECIFIED.		
biamp BIAMP SYSTEMS, INC. 400 PARK AVENUE PORTLAND, OREGON		
SCHEMATIC OUTPUT PCB MAXXAM ID: 700-0272-00 SCALE: NONE SHEET 1 of 1		

1 2 3 4

THIS DRAWING IS THE PROPERTY OF BIAMP SYSTEMS, INC. AND MUST BE RETURNED TO THE COMPANY AT THE END OF THE PROJECT. IT IS NOT TO BE REPRODUCED OR COPIED IN ANY MANNER WITHOUT THE WRITTEN PERMISSION OF BIAMP SYSTEMS, INC. THE INFORMATION CONTAINED HEREIN IS UNCLASSIFIED.

REV	CHANGE	DATE	BY	
A	245-84	CHG'D R45, R46, C21. ADDED R55	11-17-81	ND
B	251-84	CHG'D TO ALPS FADER	12-14-81	ND

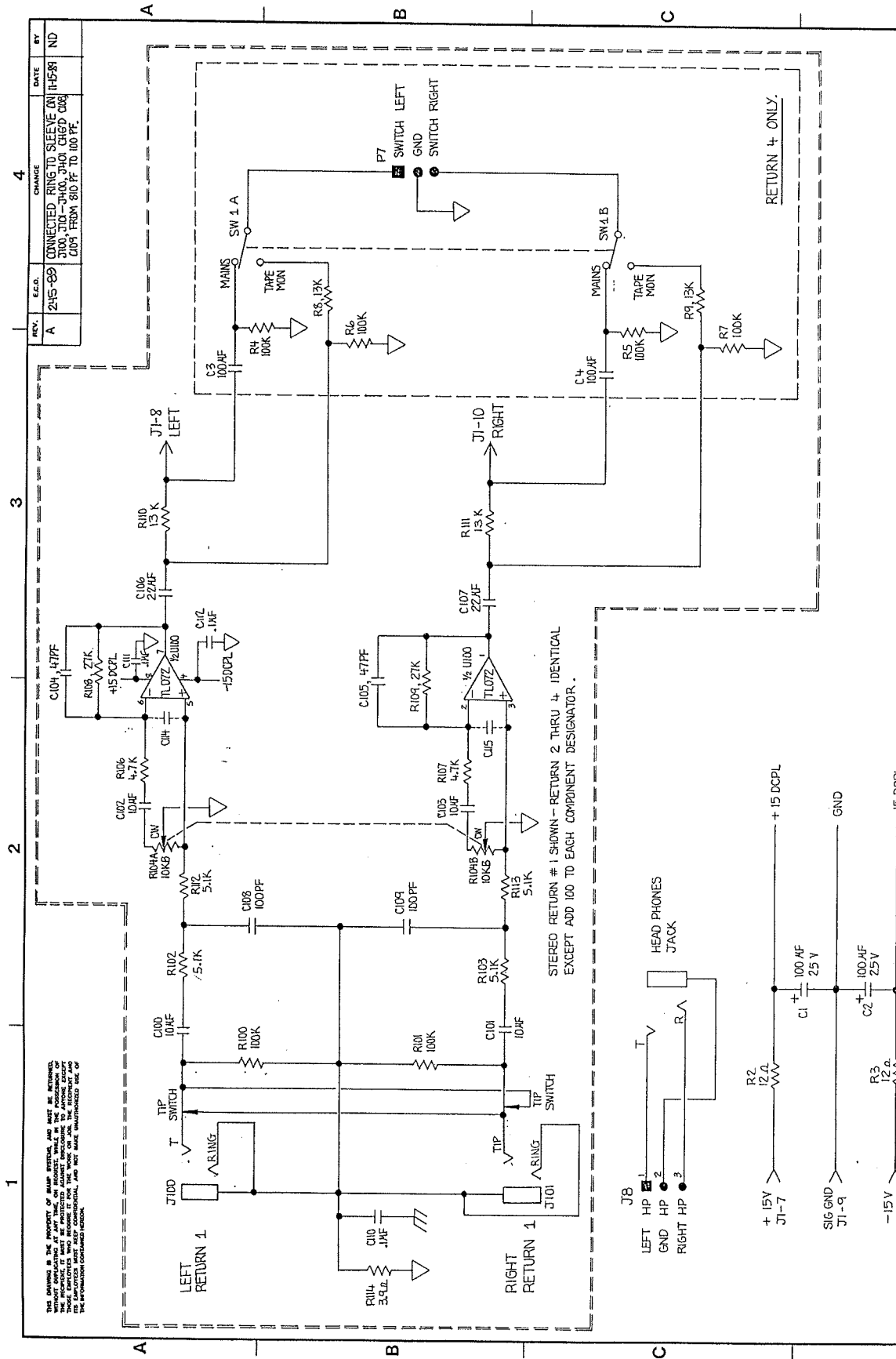
380-0272-00 REV. A



DESCRIPTION	SIZE	QTY.
MAXXAM OUTPUT PCB		1

BIAMP SYSTEMS
 COMPONENT LAYOUT
 MAXXAM OUTPUT PCB
 C Dwg. No. 701-0272-00 SHEET 1 OF 1
 SCALE NONE DO NOT SCALE DRAWING

THIS DRAWING IS THE PROPERTY OF BIAMP SYSTEMS AND MUST BE RETURNED WITHOUT DELAY TO THE OFFICE OF ORIGIN. IT IS THE RESPONSIBILITY OF THE USER TO RETURN THIS DRAWING TO THE OFFICE OF ORIGIN. THESE EMPLOYEES WHOSE NAMES ARE LISTED ON THIS DRAWING AND WHOSE NAMES ARE LISTED ON THIS DRAWING HAVE NOT BEEN AUTHORIZED TO USE OF THE INFORMATION CONTAINED HEREIN.

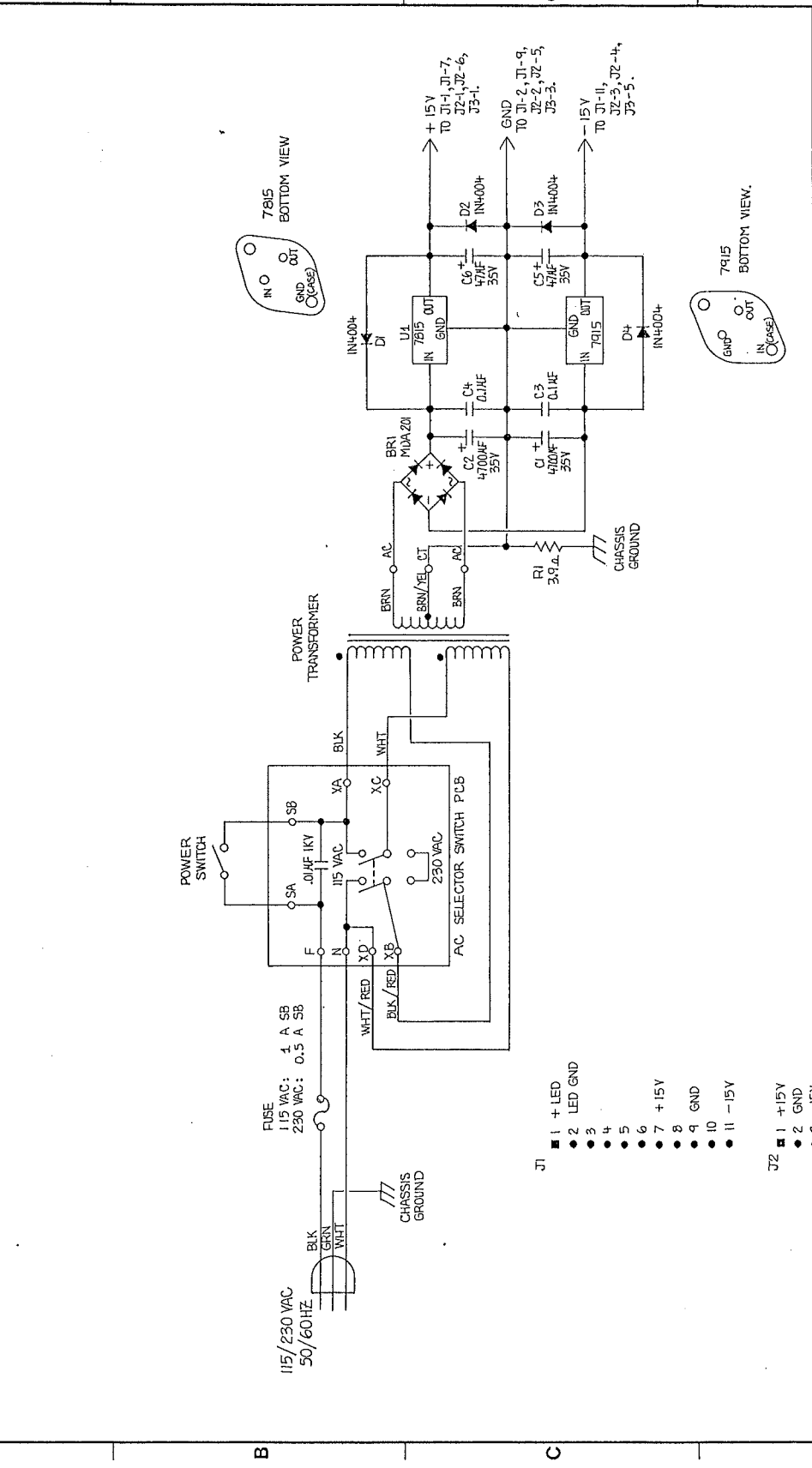


REV.		E.C.D.	CHANGE	DATE	BY
A	2/15/89		CONNECTED RING TO SLEEVE ON J1-8 AND J1-10 TO TAKE THE CHANGED WIRE CLOS. FROM 800 PF TO 100 PF.	11/15/88	ND

ITEM	DESCRIPTION	PART NO.	SIZE	QTY.
1	UNLESS OTHERWISE SPECIFIED DIMENSIONS ARE IN INCHES. TOLERANCES ARE: DIMENSIONS IN PARENTHESES ARE: DECIMALS FRACTIONS ANGLES PLAINNESS	DRAWING NO. 018551		
2	APPROVED	DESIGNED		
3	APPROVED	DESIGNED		
4	APPROVED	DESIGNED		
5	APPROVED	DESIGNED		
6	APPROVED	DESIGNED		
7	APPROVED	DESIGNED		
8	APPROVED	DESIGNED		
9	APPROVED	DESIGNED		
10	APPROVED	DESIGNED		
11	APPROVED	DESIGNED		
12	APPROVED	DESIGNED		
13	APPROVED	DESIGNED		
14	APPROVED	DESIGNED		
15	APPROVED	DESIGNED		
16	APPROVED	DESIGNED		
17	APPROVED	DESIGNED		
18	APPROVED	DESIGNED		
19	APPROVED	DESIGNED		
20	APPROVED	DESIGNED		
21	APPROVED	DESIGNED		
22	APPROVED	DESIGNED		
23	APPROVED	DESIGNED		
24	APPROVED	DESIGNED		
25	APPROVED	DESIGNED		
26	APPROVED	DESIGNED		
27	APPROVED	DESIGNED		
28	APPROVED	DESIGNED		
29	APPROVED	DESIGNED		
30	APPROVED	DESIGNED		
31	APPROVED	DESIGNED		
32	APPROVED	DESIGNED		
33	APPROVED	DESIGNED		
34	APPROVED	DESIGNED		
35	APPROVED	DESIGNED		
36	APPROVED	DESIGNED		
37	APPROVED	DESIGNED		
38	APPROVED	DESIGNED		
39	APPROVED	DESIGNED		
40	APPROVED	DESIGNED		
41	APPROVED	DESIGNED		
42	APPROVED	DESIGNED		
43	APPROVED	DESIGNED		
44	APPROVED	DESIGNED		
45	APPROVED	DESIGNED		
46	APPROVED	DESIGNED		
47	APPROVED	DESIGNED		
48	APPROVED	DESIGNED		
49	APPROVED	DESIGNED		
50	APPROVED	DESIGNED		
51	APPROVED	DESIGNED		
52	APPROVED	DESIGNED		
53	APPROVED	DESIGNED		
54	APPROVED	DESIGNED		
55	APPROVED	DESIGNED		
56	APPROVED	DESIGNED		
57	APPROVED	DESIGNED		
58	APPROVED	DESIGNED		
59	APPROVED	DESIGNED		
60	APPROVED	DESIGNED		
61	APPROVED	DESIGNED		
62	APPROVED	DESIGNED		
63	APPROVED	DESIGNED		
64	APPROVED	DESIGNED		
65	APPROVED	DESIGNED		
66	APPROVED	DESIGNED		
67	APPROVED	DESIGNED		
68	APPROVED	DESIGNED		
69	APPROVED	DESIGNED		
70	APPROVED	DESIGNED		
71	APPROVED	DESIGNED		
72	APPROVED	DESIGNED		
73	APPROVED	DESIGNED		
74	APPROVED	DESIGNED		
75	APPROVED	DESIGNED		
76	APPROVED	DESIGNED		
77	APPROVED	DESIGNED		
78	APPROVED	DESIGNED		
79	APPROVED	DESIGNED		
80	APPROVED	DESIGNED		
81	APPROVED	DESIGNED		
82	APPROVED	DESIGNED		
83	APPROVED	DESIGNED		
84	APPROVED	DESIGNED		
85	APPROVED	DESIGNED		
86	APPROVED	DESIGNED		
87	APPROVED	DESIGNED		
88	APPROVED	DESIGNED		
89	APPROVED	DESIGNED		
90	APPROVED	DESIGNED		
91	APPROVED	DESIGNED		
92	APPROVED	DESIGNED		
93	APPROVED	DESIGNED		
94	APPROVED	DESIGNED		
95	APPROVED	DESIGNED		
96	APPROVED	DESIGNED		
97	APPROVED	DESIGNED		
98	APPROVED	DESIGNED		
99	APPROVED	DESIGNED		
100	APPROVED	DESIGNED		

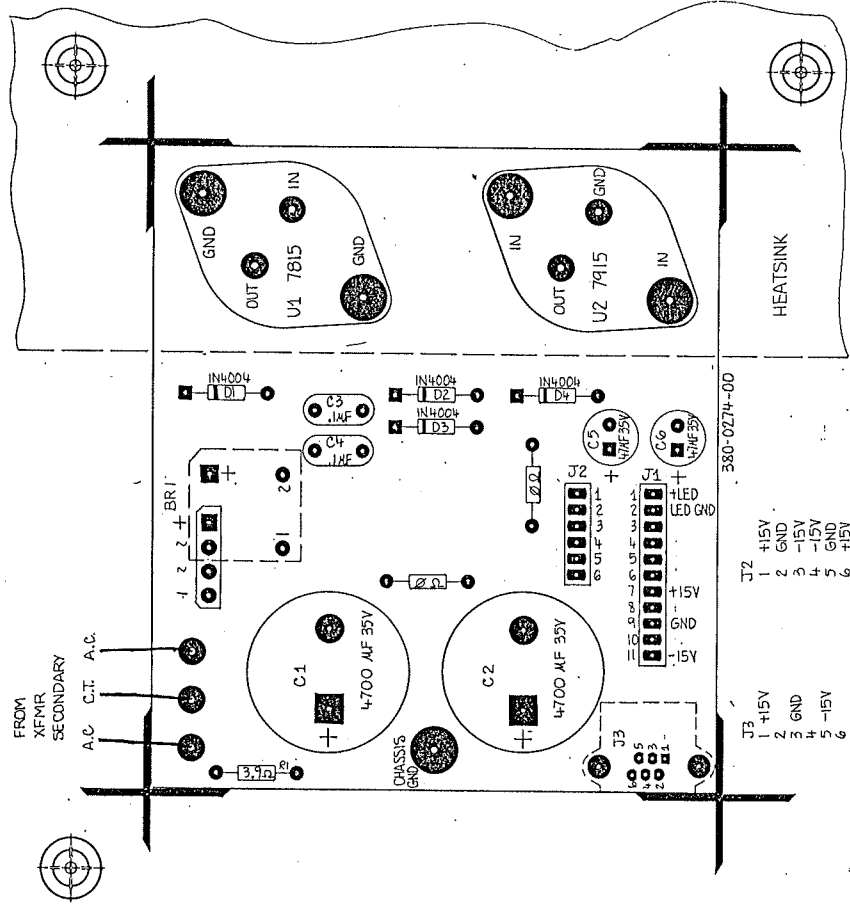
biamp BIAMP SYSTEMS
 SCHEMATIC DWG
 MAXXAM RETURNS PCB
 DWG NO. 700-0273-00
 SCALE NONE
 SHEET 1 OF 1

THIS DRAWING IS THE PROPERTY OF BIAMP SYSTEMS, INC. AND MUST BE KEPT IN THE RECORDS. IT MUST BE PROTECTED AGAINST DISSEMINATION TO ANYONE OUTSIDE THE COMPANY. IT IS TO BE KEPT IN THE RECORDS OF THE COMPANY AND NOT MAINTAINED UNDER THE INFORMATION CONTAINED HEREIN.



PART NO.		DESCRIPTION		SIZE		QTY.	
DRWING NO.	0274-00	SCHEMATIC		BIAMP SYSTEMS			
ENGINEER		SCHEMATIC		MAXXAM POWER SUPPLY			
DESIGN		SCHEMATIC		MAXXAM POWER SUPPLY			
APPROVED		SCHEMATIC		MAXXAM POWER SUPPLY			
MATERIAL		SCHEMATIC		MAXXAM POWER SUPPLY			
FINISH		SCHEMATIC		MAXXAM POWER SUPPLY			
MODEL		SCHEMATIC		MAXXAM POWER SUPPLY			
APPLICATION		SCHEMATIC		MAXXAM POWER SUPPLY			
SCALE	NONE	SCHEMATIC		MAXXAM POWER SUPPLY		SHEET 1 of 1	

THIS DRAWING IS THE PROPERTY OF BIAMP SYSTEMS, AND PART OF A SERIES OF DRAWINGS. IT IS TO BE USED ONLY FOR THE PURPOSES SPECIFIED IN THE TITLE. WITHOUT AUTHORIZATION BY BIAMP SYSTEMS, THIS DRAWING IS NOT TO BE REPRODUCED, COPIED, OR TRANSMITTED IN ANY FORM OR BY ANY MEANS, ELECTRONIC OR MECHANICAL, INCLUDING PHOTOCOPYING, RECORDING, OR BY ANY INFORMATION STORAGE AND RETRIEVAL SYSTEM. BIAMP SYSTEMS ASSUMES NO LIABILITY FOR ANY DAMAGE OR LOSS OF PROFITS, BUSINESS, OR REVENUE, OR FOR ANY SPECIAL, INCIDENTAL, OR CONSEQUENTIAL DAMAGES, ARISING OUT OF OR FROM THE USE OF THIS DRAWING.



ITEM	PART NO.	DESCRIPTION	SIZE	QTY.
1	380-0274-00	MAXXAM POWER SUPPLY COMPONENT LAYOUT DWG		

DATE	9/1/88
CHECKED	
DESIGNER	
APPROVED	
MATERIAL	
FINISH	
SCALE	2X
DWG NO	70-0274-00
REV.	

MODEL	HEAT DWG.
APPLICATION	
YES	NO
SCALE	2X
DWG NO	70-0274-00
REV.	

biamp BIAMP SYSTEMS
 MAXXAM POWER SUPPLY
 COMPONENT LAYOUT DWG
 DWG NO 70-0274-00

REV.	E.E.D.	CHANGE	DATE	BY
A	Z45-89	CONNECTED J102 RING TO GND (14588) AND REWIRED CUBS (14588, 14589)	11-15-88	ND

1 2 3 4

A B C D

1 2 3 4

A B C D

1 2 3 4

A B C D

1 2 3 4

A B C D

1 2 3 4

A B C D

1 2 3 4

A B C D

1 2 3 4

A B C D

1 2 3 4

A B C D

1 2 3 4

A B C D

1 2 3 4

A B C D

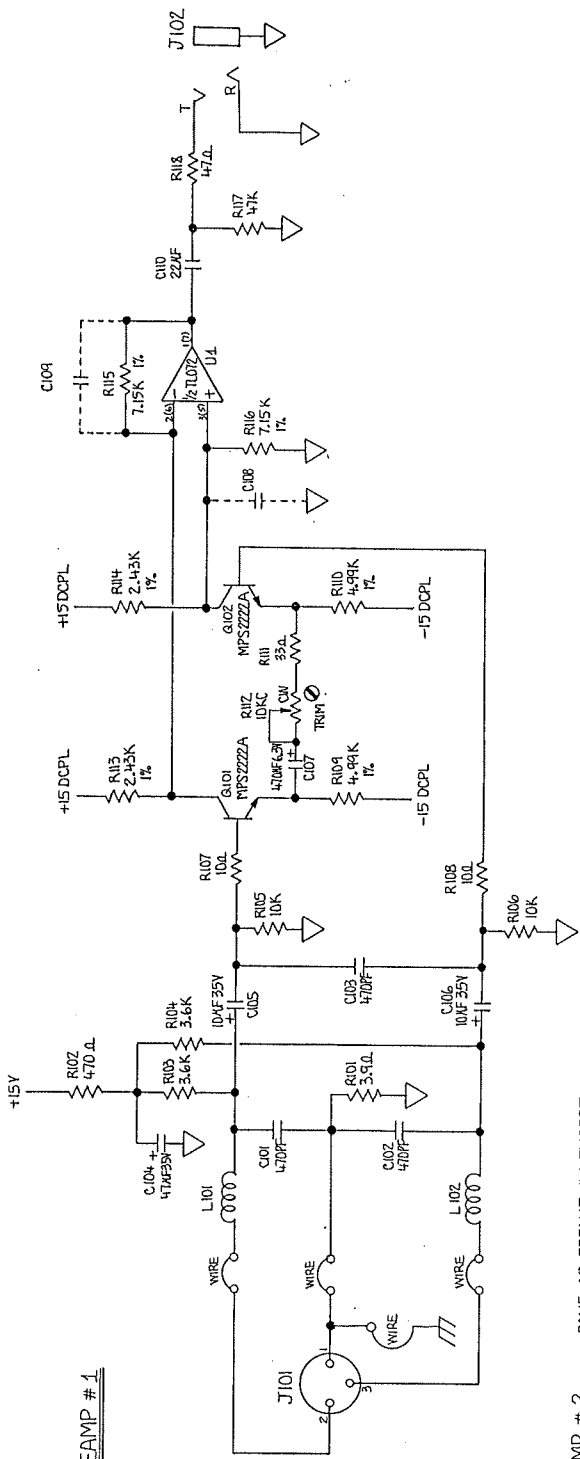
1 2 3 4

A B C D

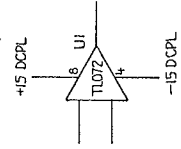
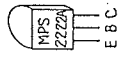
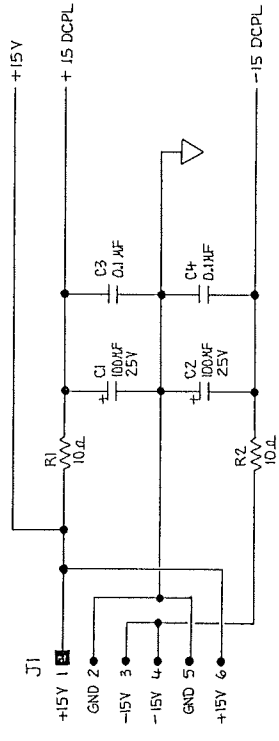
1 2 3 4

THIS DRAWING IS THE PROPERTY OF BIAMP SYSTEMS AND MUST BE RETURNED WITHOUT DELAY AT ANY TIME ON REQUEST. WHILE IN THE POSSESSION OF OTHERS, THIS DRAWING IS TO BE KEPT IN A SAFE PLACE. THE REPRODUCTION OF THIS DRAWING WITHOUT THE WRITTEN PERMISSION OF BIAMP SYSTEMS IS STRICTLY PROHIBITED. THE INFORMATION CONTAINED HEREIN IS UNCLASSIFIED AND IS NOT SUBJECT TO EXPORT CONTROL.

PREAMP # 1



PREAMP # 2 — SAME AS PREAMP # 1 EXCEPT ADD 100 TO EACH COMPONENT DESIGNATOR.



ITEM	PART NO.	DESCRIPTION	SIZE	QTY.
1	UI	TL072		
2	MPS 2222A	MPS 2222A		
3	TRN1	TRN1		
4	R101	4.7K		
5	R102	10K		
6	R103	3.6K		
7	R104	4.7K		
8	R105	10K		
9	R106	10K		
10	C101	470PF		
11	C102	470PF		
12	C103	470PF		
13	C104	100PF		
14	C105	100PF		
15	C106	100PF		
16	C107	470PF		
17	C108	470PF		
18	L101	100UH		
19	L102	100UH		
20	J101	J101		
21	J102	J102		

DATE	DESCRIPTION	SCALE	NO.	REV.
11-15-88	CONNECTED J102 RING TO GND (14588) AND REWIRED CUBS (14588, 14589)	700-0275-00	DO NOT SCALE DRAWING	A

BIAMP SYSTEMS
DUAL MIC PREAMP
SCALE NONE
DO NOT SCALE DRAWING
SHEET 1 OF 1