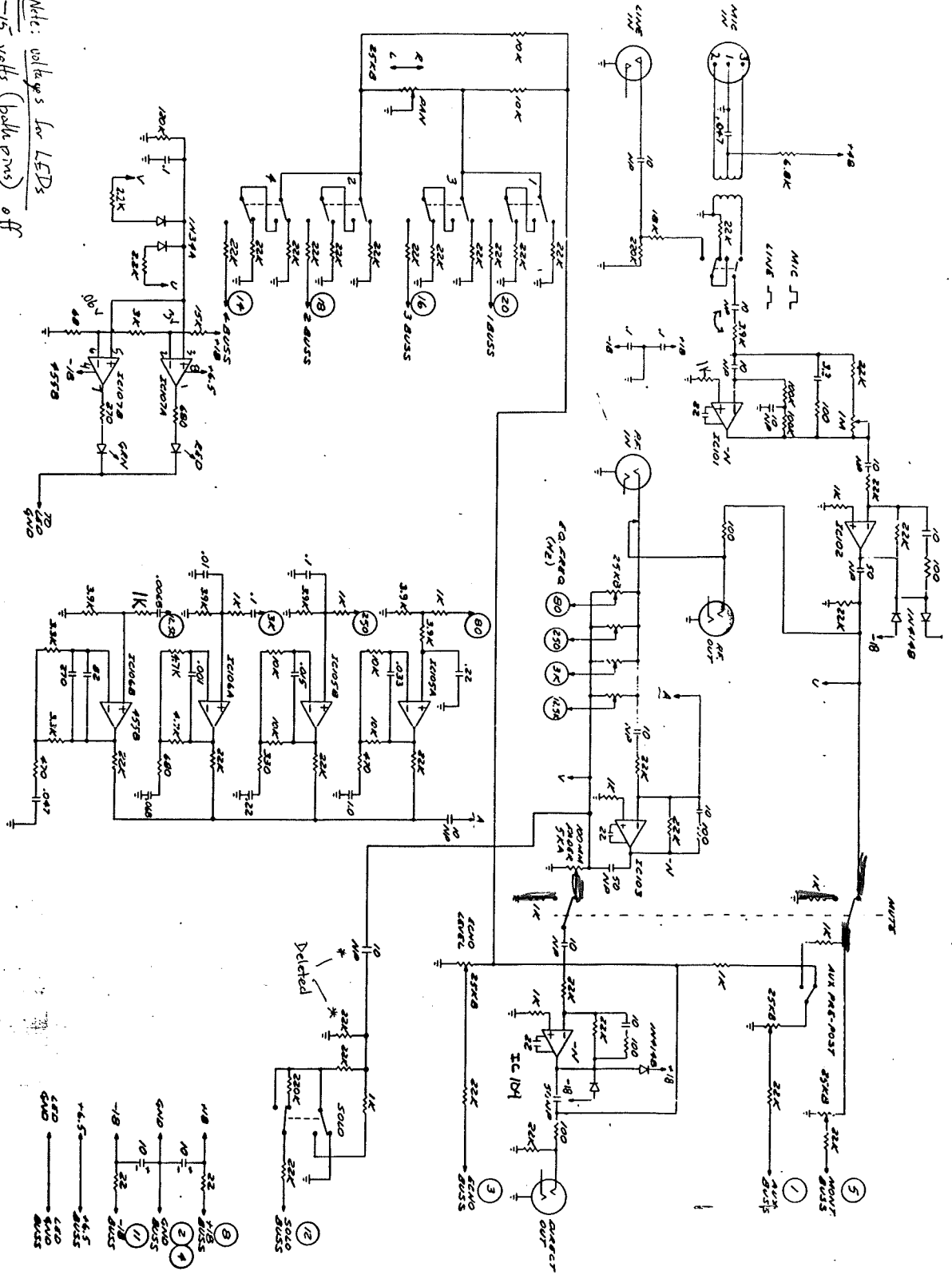
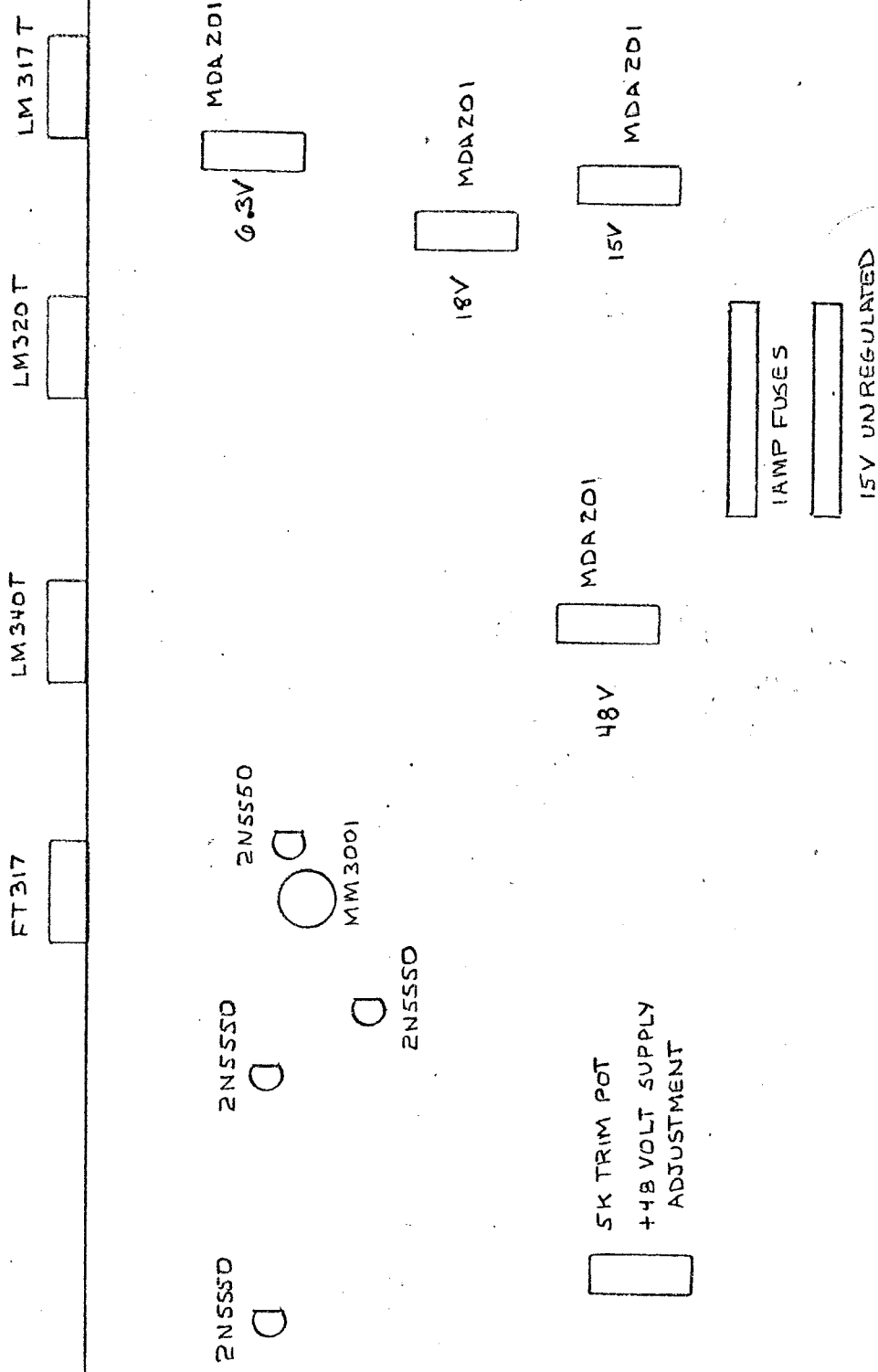


Note: voltages for LEDs
 -15 volts (both pins) off
 +13 volts (pin #1) on signal input
 +4 volts (pin #7) on signal input

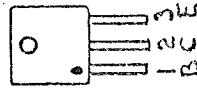


V REFERS TO ABOVE DIAG

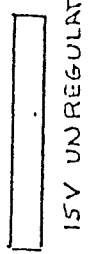
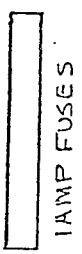
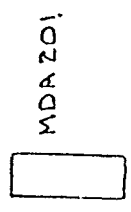
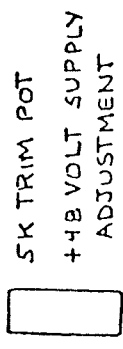
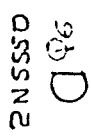
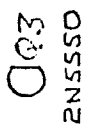
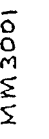
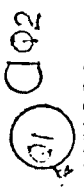
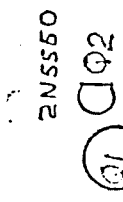
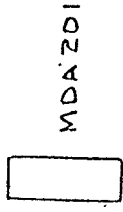
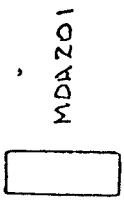
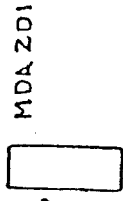
1532 INPUT MODULES 1-12
 1532 INPUT MODULES 1-12



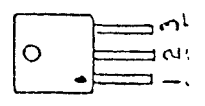
HEAT SINK SEMICONDUCTOR
 PIU LAYOUT FRONT VIEW



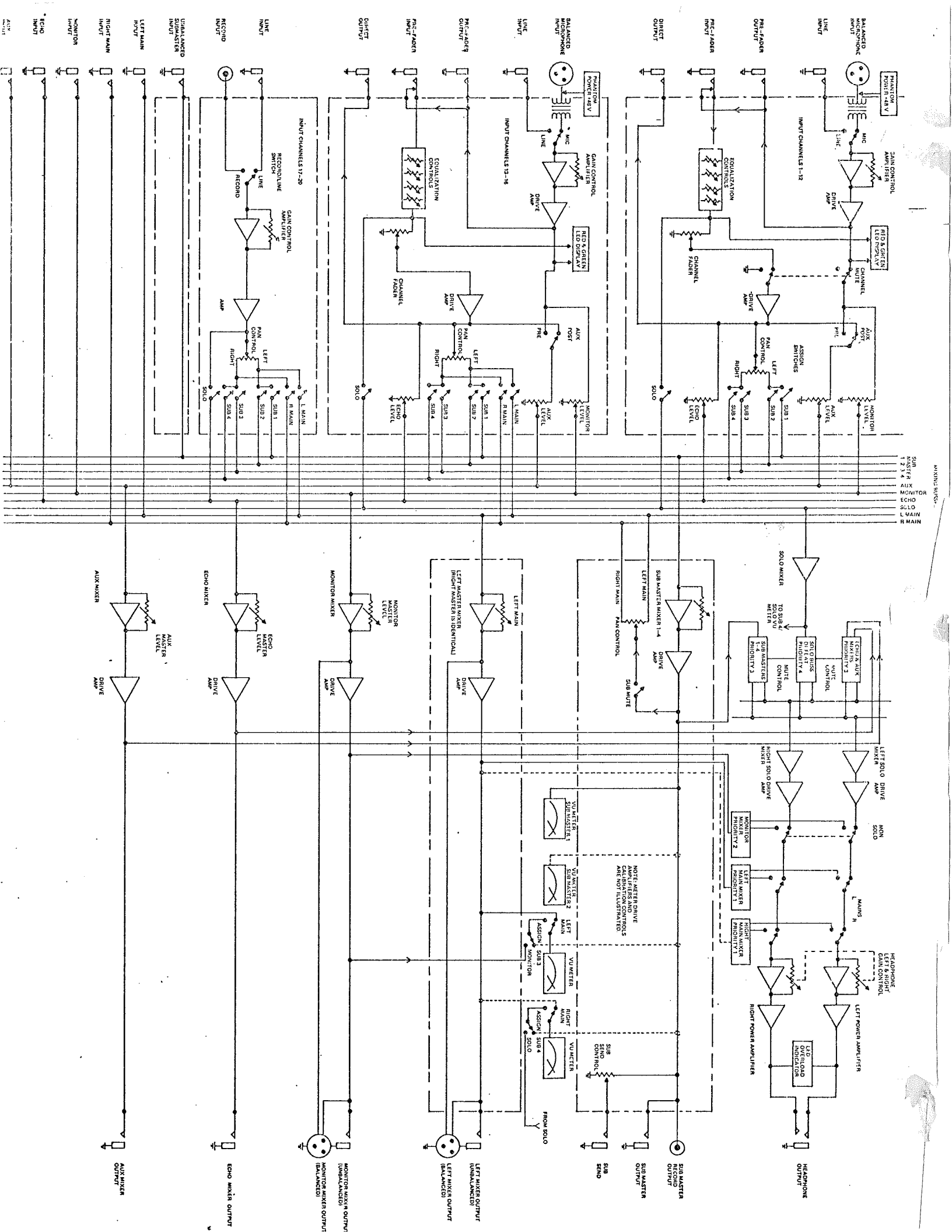
BIAMP SYSTEMS
 MODEL 42 PWR SUPPLY
 QC REFERENCE DRAWING
 JAN 2 1980 1642 PS
 DRAWN BY JDUNCANN
 REVISION B

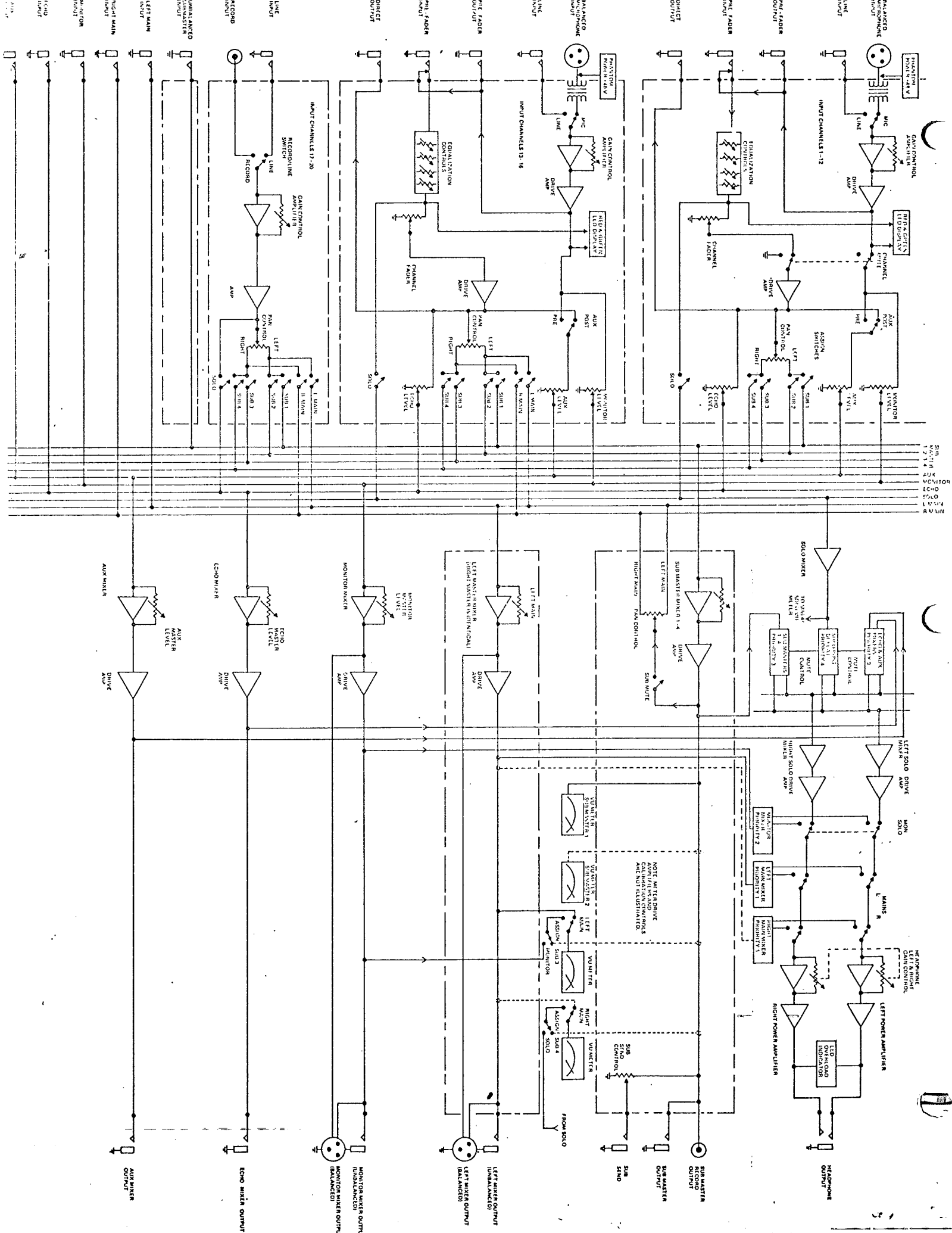


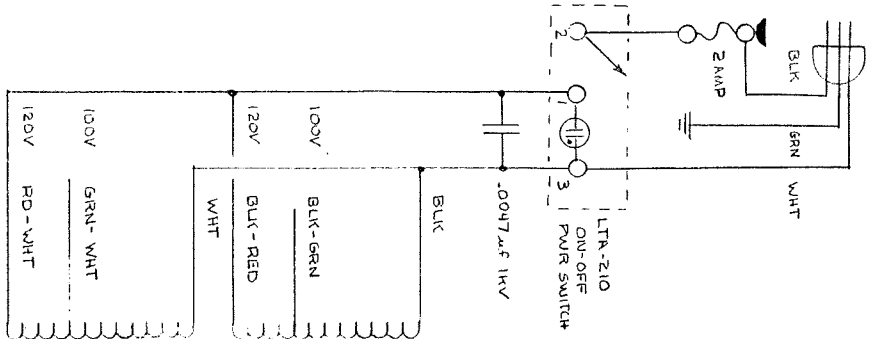
HEAT SINK SEMICONDUCTOR
PIU LAYOUT FRONT VIEW



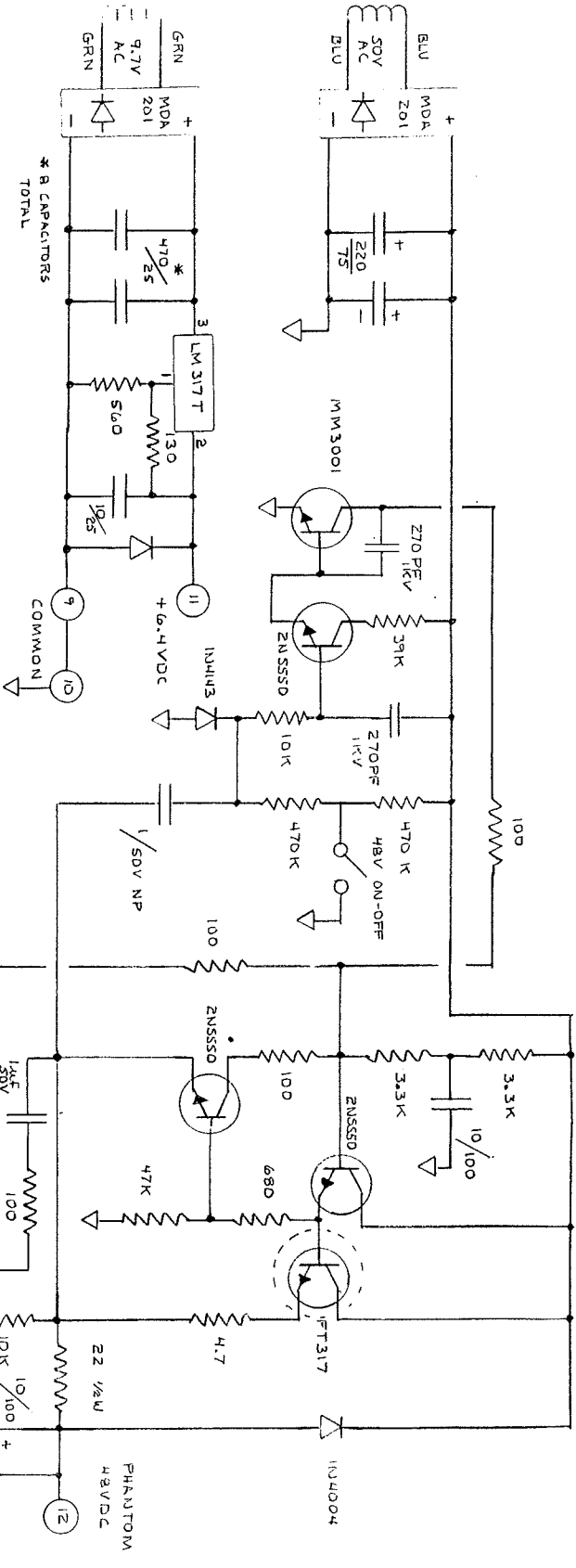
BIAMP SYSTEMS
MODEL 42 PWR SUPPLY
QC REFERENCE DRAWING
JAN 2 1980
DRAWN BY J DUNCAN
REVISION 1A



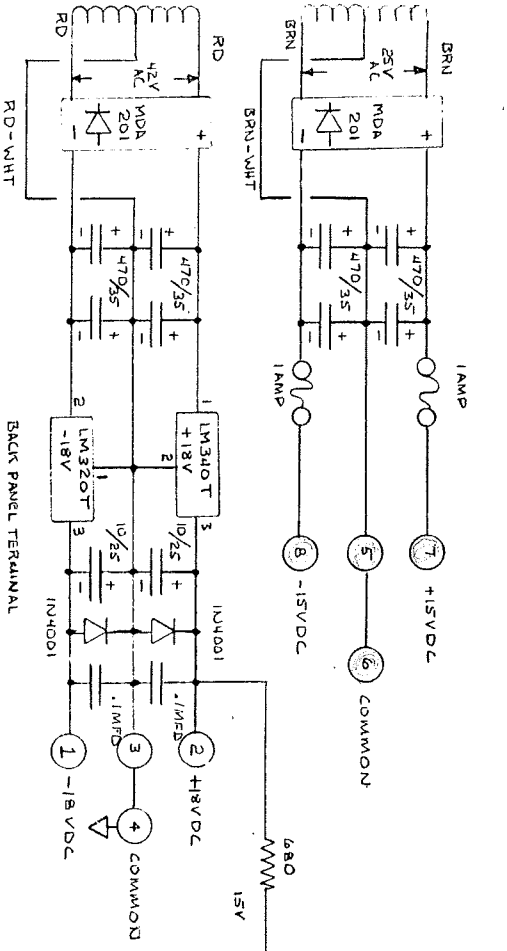




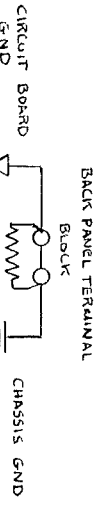
PWR TRANSFORMER
7902051D



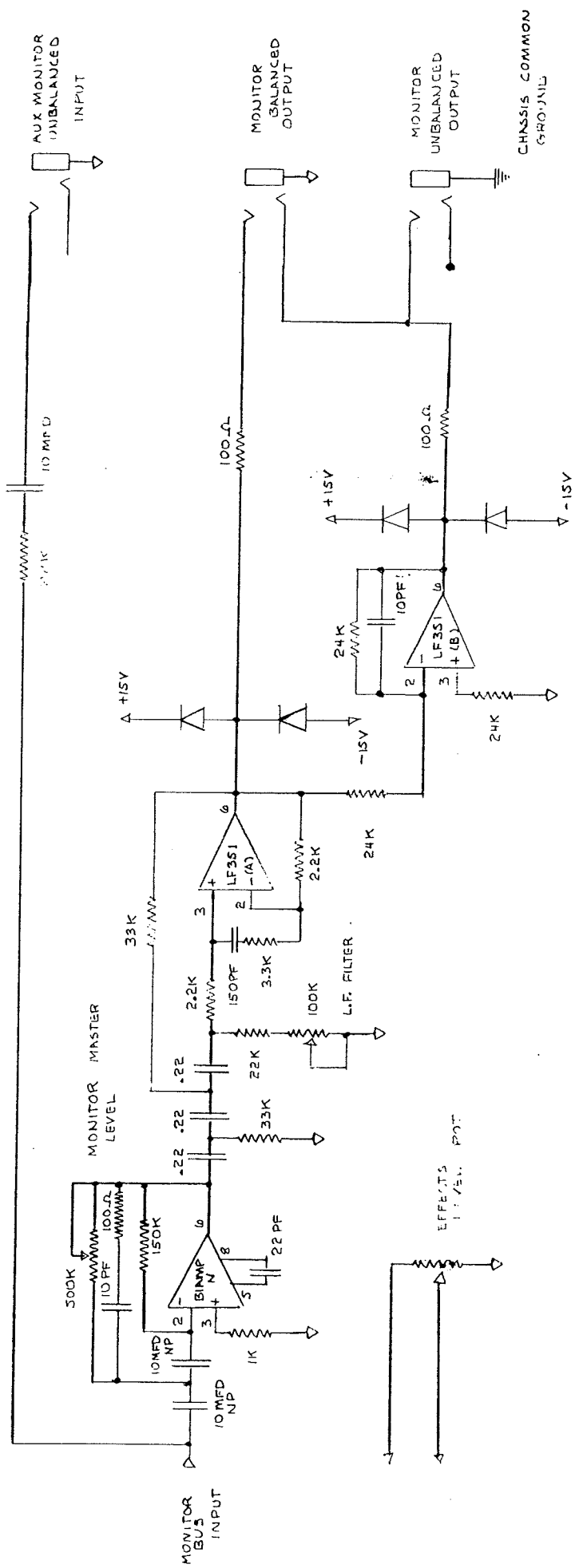
* 8 CAPACITORS
TOTAL



○ DENOTES FRONT PANEL CONNECTOR PIN NUMBERS

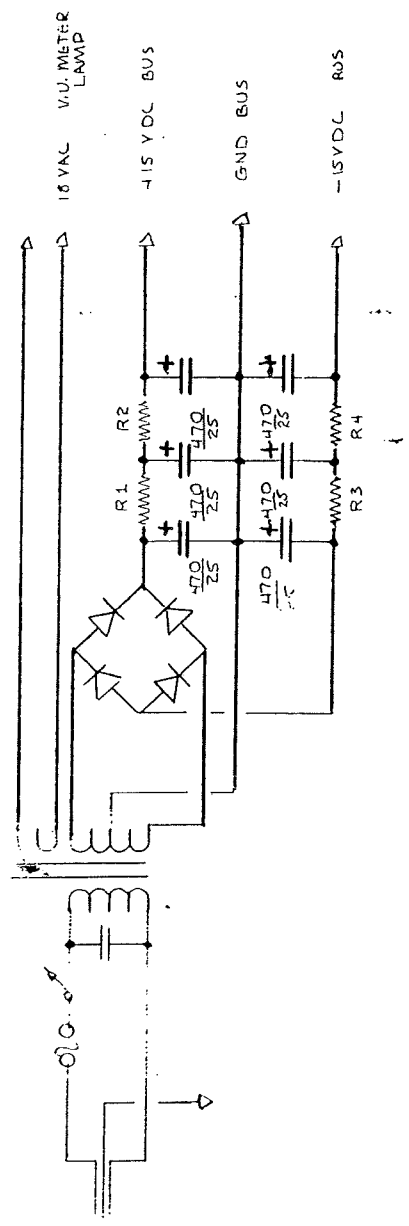


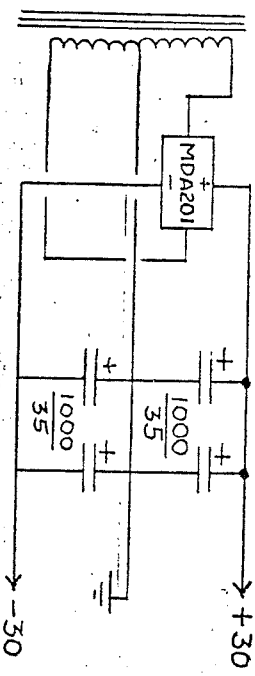
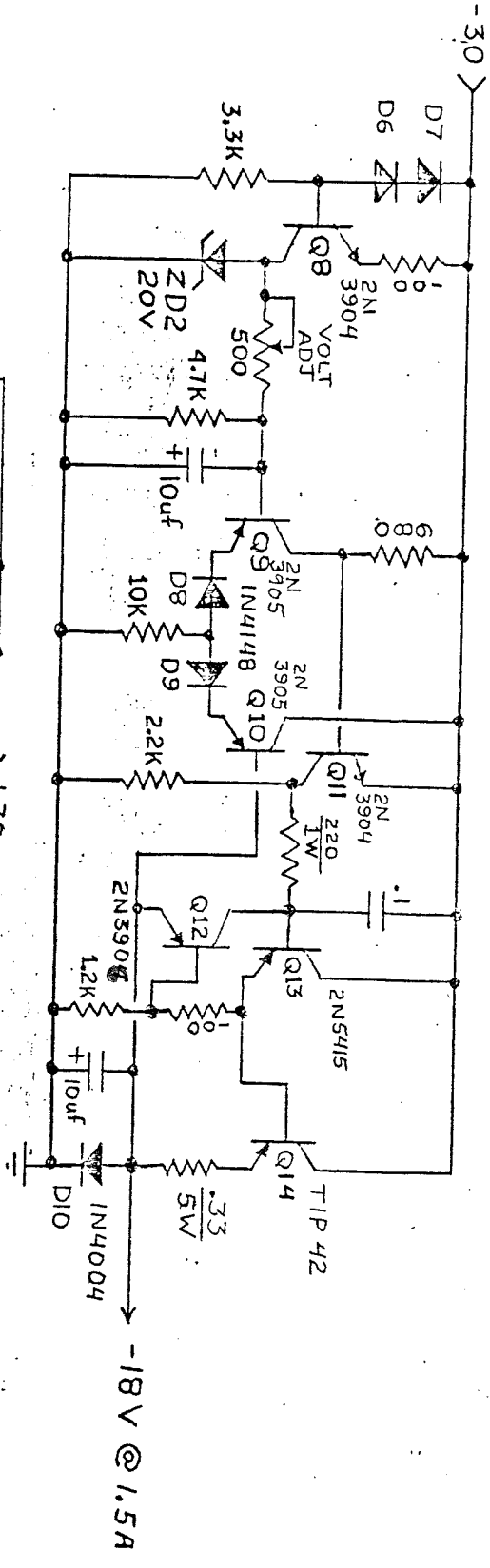
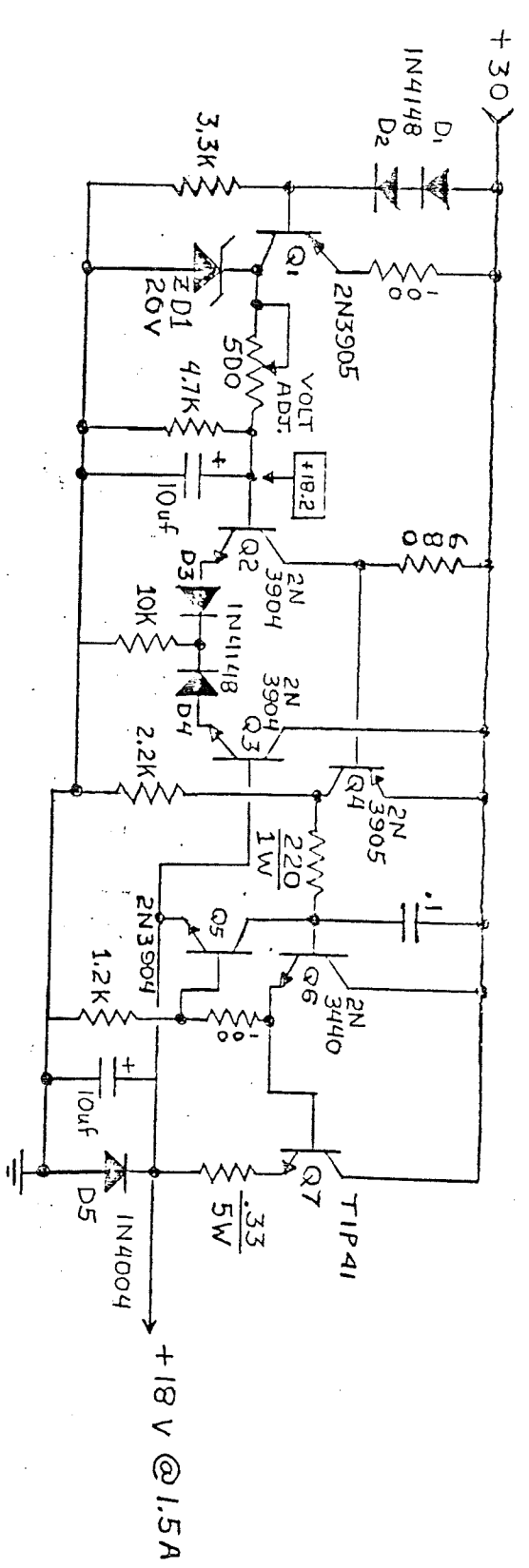
BIAMP SYSTEMS
QUALITY CONTROL REFERENCE
DRAWING
MODEL 42 REMOTE POWER
SUPPLY
REVISION B
DRAWN BY T. DUNCAN
JAN 2, 1980



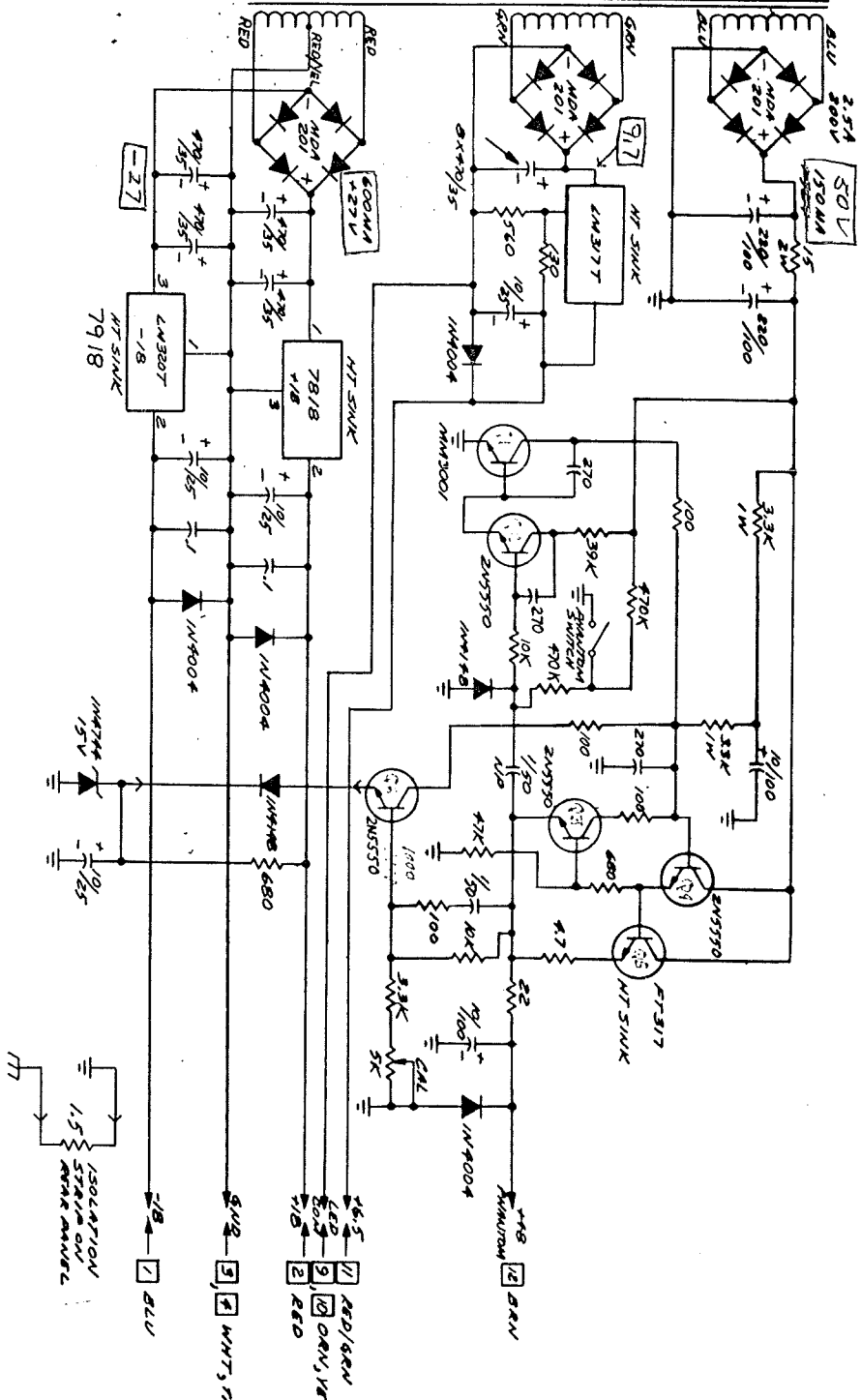
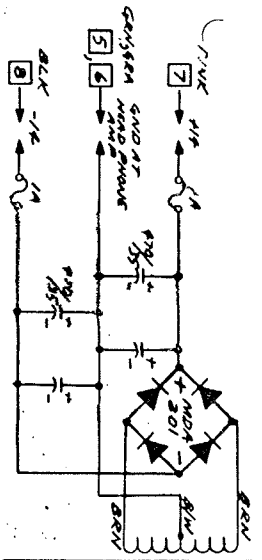
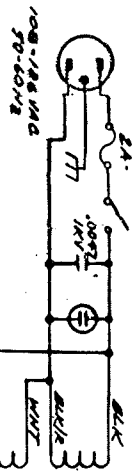
9302-1282 MIXER
MONITOR - PWR SUPPLY
REV-B

- NOTE 1
1282 PWR SUPPLY
RESISTORS
R1- R3 22Ω 5W
R2 - R4 27Ω 5W
- NOTE 2
802 PWR SUPPLY
RESISTORS
R1- R3 33Ω 5W
R2 R4 11Ω 5W





42PS ±18V REG
 1-16-80
 DRAWN BY T.H.



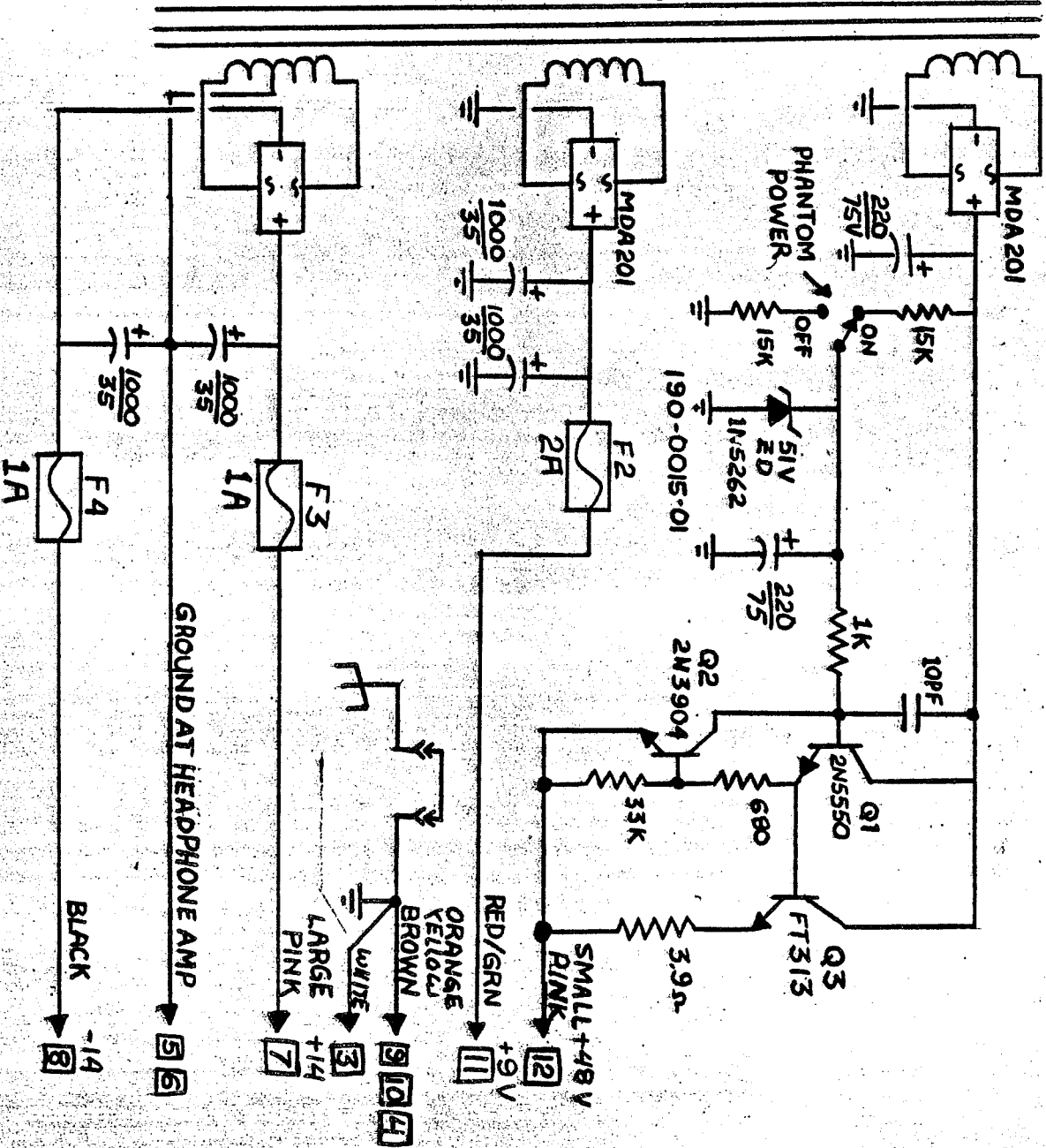
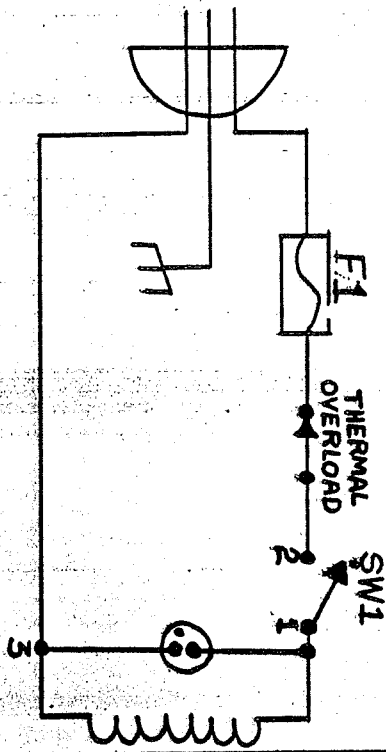
REFERS TO POWER SUPPLY CABLE CONNECTOR

1692 REMOTE POWER SUPPLY 10/25/79 G. OAKS

100 J-2

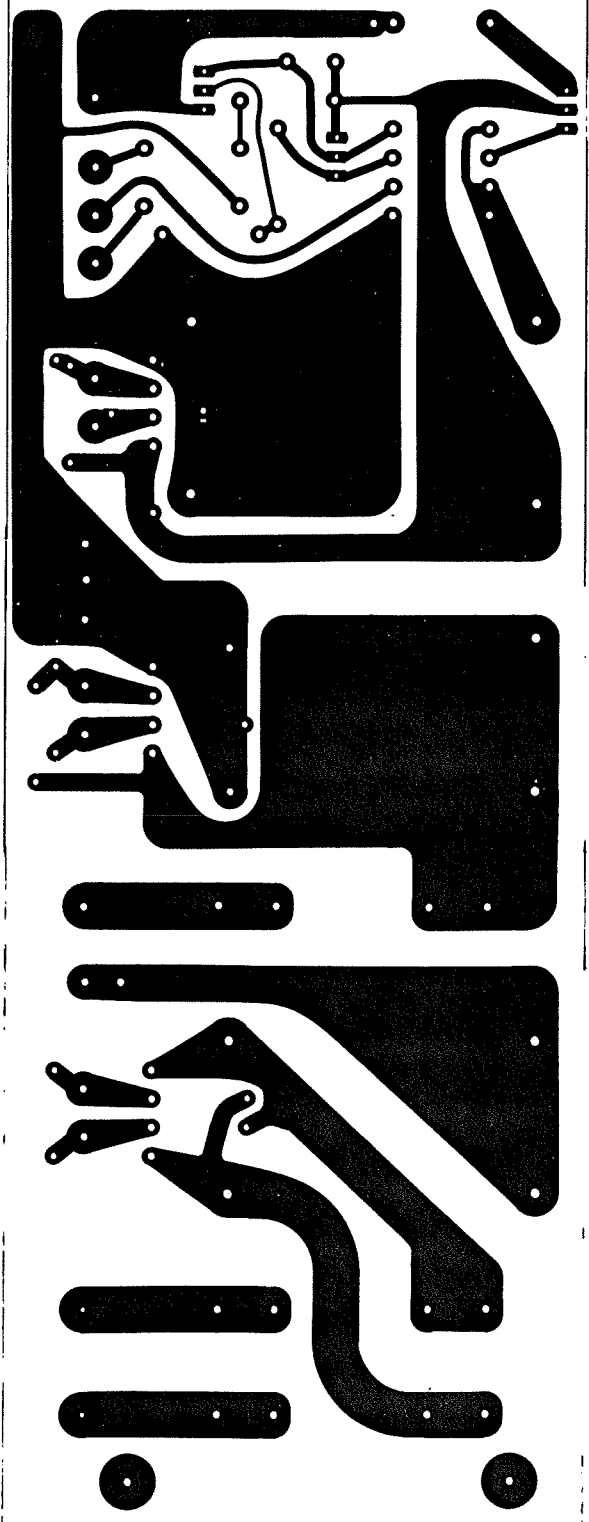
F1 RATING			
100	120	200	240
	A		A

2442 P.S.
DRAWN BY T.H.
2-12-81



+15V REG.
+9 (100)
+4.8 REG

42 PS
380-0053-00
Rev A



+15V
+9
+4.8

42 PS
380-0048-00
Rev A

