

NEWPORT

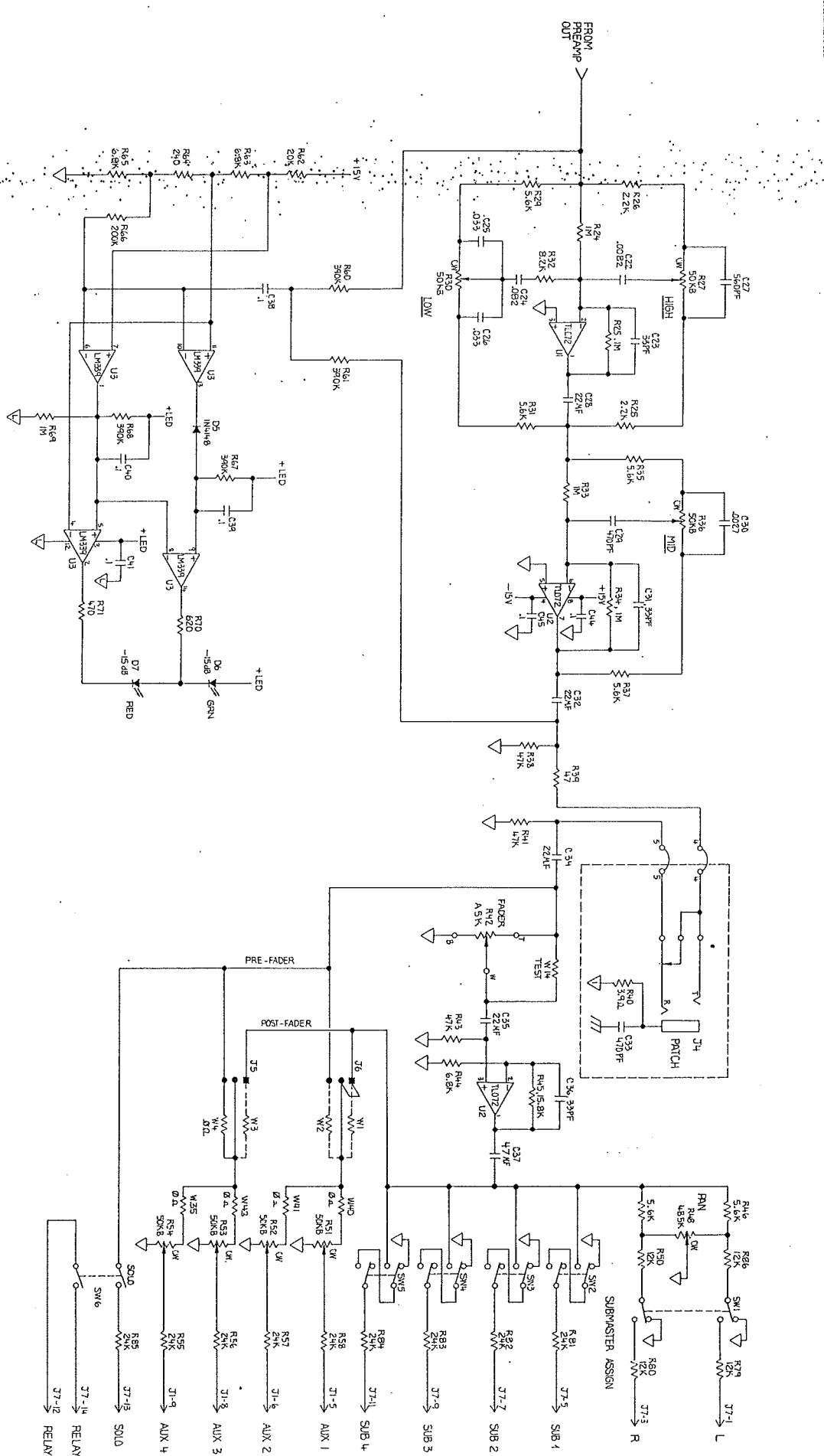
Schematic

B I A M P[®]

S Y S T E M S

10074 SW Arctic Drive Beaverton, OR 97005 503-641-7287

THIS DRAWING IS THE PROPERTY OF BIAMP SYSTEMS, INC. IT IS TO BE USED ONLY FOR THE PROJECT AND QUANTITY SPECIFIED. IT IS NOT TO BE REPRODUCED OR COPIED IN ANY MANNER WITHOUT THE WRITTEN PERMISSION OF BIAMP SYSTEMS, INC. THE USER ASSUMES ALL LIABILITY FOR THE PROPER USE OF THIS DRAWING.



biamp BIAMP SYSTEMS, INC. 1000 WEST 10TH AVENUE, SUITE 100 DENVER, CO 80202 TEL: 303.733.1100 FAX: 303.733.1101 WWW.BIAMP.COM	
PROJECT NO. NEWPORT INPUT SCHEMATIC DRAWING NO. 700-0233-00 SHEET NO. 2 OF 2	DATE 01/11/00 BY DAVID CHECKED BY DAVID APPROVED BY DAVID
TITLE: NEWPORT INPUT SCHEMATIC PROJECT: NEWPORT INPUT SCHEMATIC DRAWING NO.: 700-0233-00 SHEET NO.: 2 OF 2	REVISIONS: NO. DESCRIPTION DATE BY 1 ORIGINAL 01/11/00 DAVID

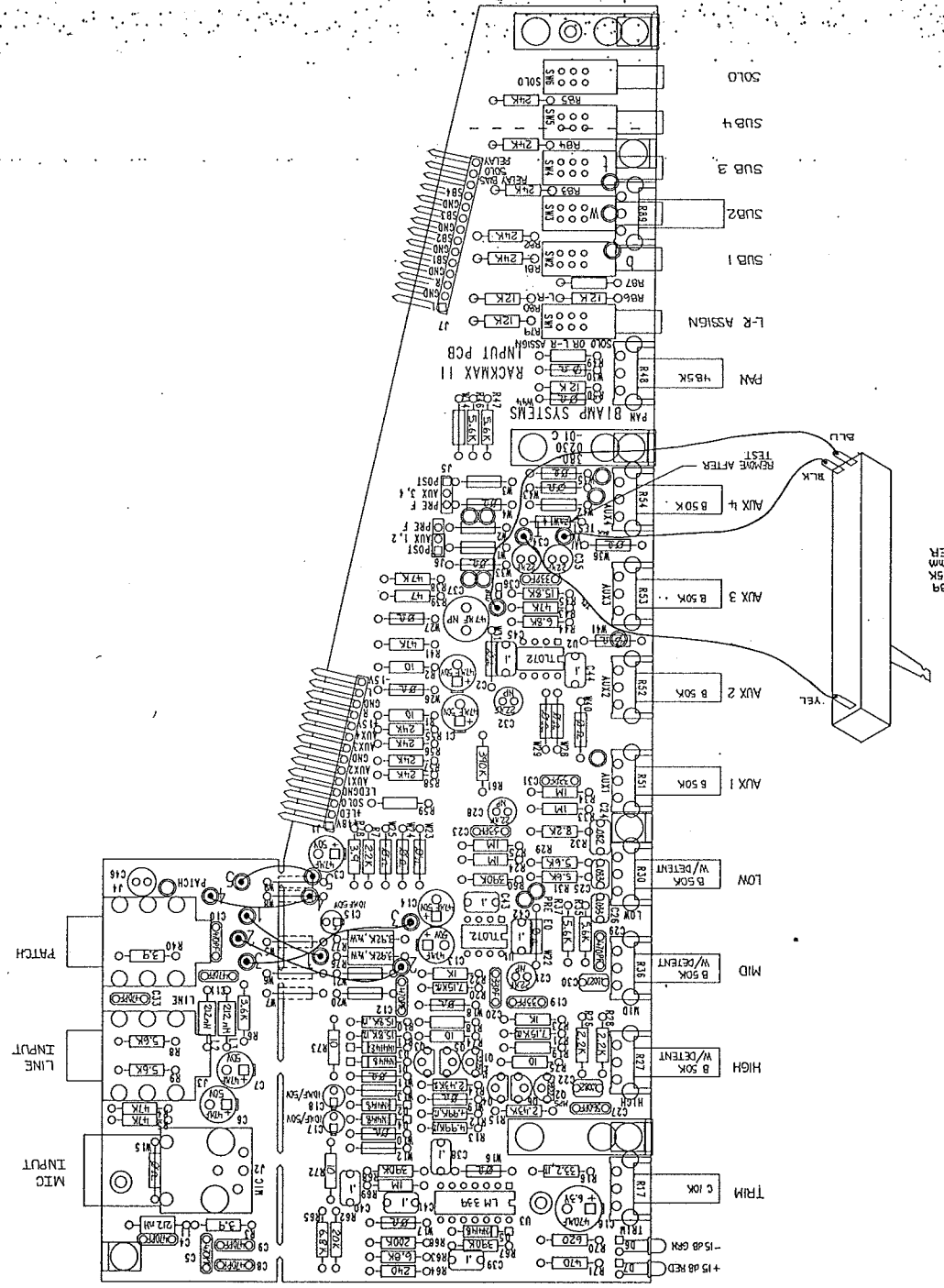
A R C N F G H

1 2 3 4

THIS DRAWING IS THE PROPERTY OF BIAMP SYSTEMS, INC. IT IS TO BE USED ONLY FOR THE PROJECT AND QUANTITY SPECIFIED HEREON. IT IS NOT TO BE REPRODUCED, COPIED, OR TRANSMITTED IN ANY FORM OR BY ANY MEANS, ELECTRONIC OR MECHANICAL, INCLUDING PHOTOCOPYING, RECORDING, OR BY ANY INFORMATION STORAGE AND RETRIEVAL SYSTEM, WITHOUT THE WRITTEN PERMISSION OF BIAMP SYSTEMS, INC.

3800230B JOB - FR1 NOV 16 13:51:34 1990

A R C N E H G

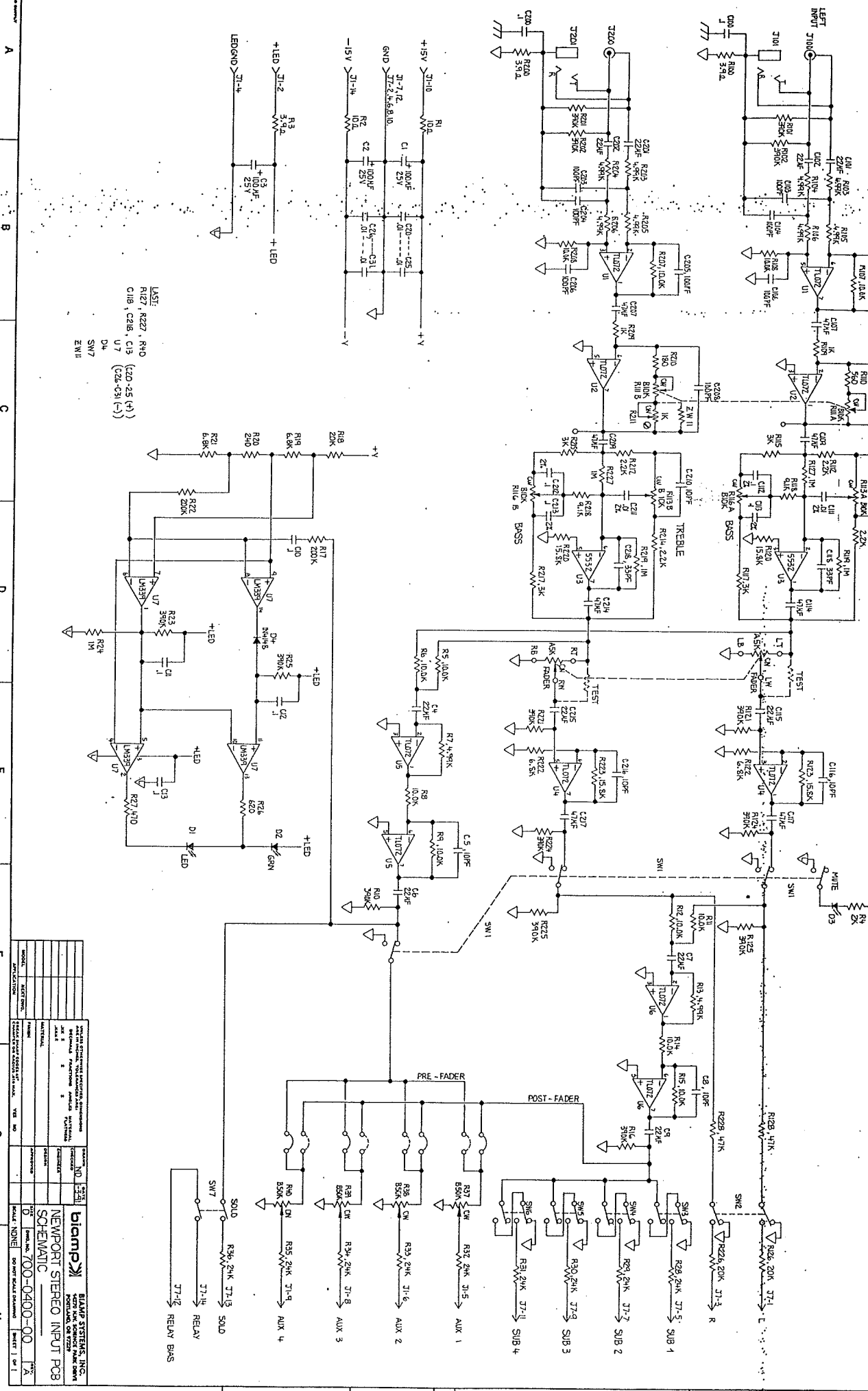


BIAMP SYSTEMS
 14270 N.W. Science Park Drive
 Portland, Oregon 97229
 (503) 641-7287
 Sheet 1 of 4 : Silkscreen
 RACKMAX II INPUT PCB
 380-0230-01
 REV C

Blamp BIAMP SYSTEMS, INC. 14270 N.W. Science Park Drive Portland, Oregon 97229		PROJECT NO. 3800230B DRAWN BY: J. H. HARRIS CHECKED BY: J. H. HARRIS DATE: 11/16/90
NEWPORT INPUT PCB COMPONENT LAYOUT PART NO. 701-0233-00 REV. 0		SHEET 1 OF 4 TOTAL SHEETS 4

REV	DATE	BY	DESCRIPTION
A	10/26/90	J. H. HARRIS	REV. C. E.L.M.

THIS SCHEMATIC IS THE PROPERTY OF BIAMP SYSTEMS, INC. IT IS TO BE USED ONLY FOR THE IDENTIFICATION OF THE PARTS LISTED THEREIN. IT IS NOT TO BE REPRODUCED OR TRANSMITTED IN ANY FORM OR BY ANY MEANS, ELECTRONIC OR MECHANICAL, INCLUDING PHOTOCOPYING, RECORDING, OR BY ANY INFORMATION STORAGE AND RETRIEVAL SYSTEM, WITHOUT THE WRITTEN PERMISSION OF BIAMP SYSTEMS, INC.

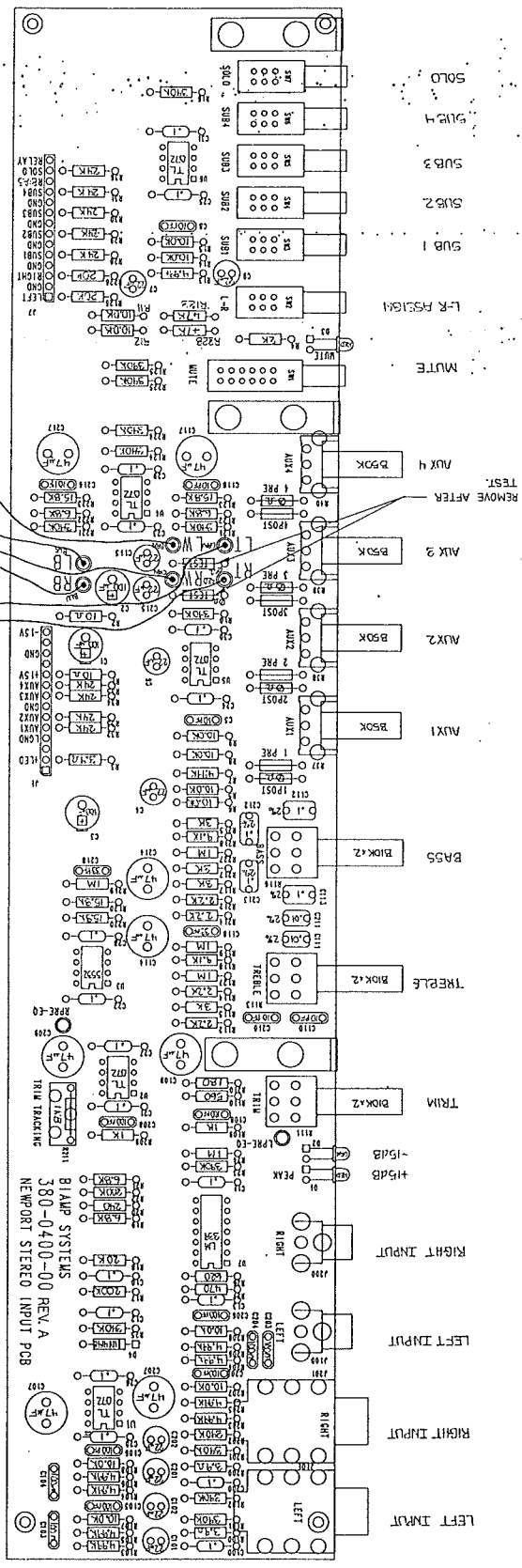


LSI:
 R127, R227, R40
 C118, C218, C13
 U7 (C24-C21 (-))
 D4
 SW7
 E, W11

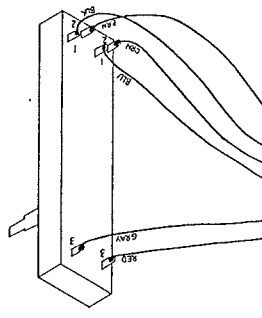
BIAMP SYSTEMS, INC.		BIAMP SYSTEMS, INC.	
NEWPORT STEREO INPUT PCB		NEWPORT STEREO INPUT PCB	
SCHEMATIC		SCHEMATIC	
NO.	REV.	DATE	BY
1	1		
PARTS LIST		PARTS LIST	
QTY	DESCRIPTION	QTY	DESCRIPTION
1	PCB	1	PCB
1	RELAY	1	RELAY
1	SOLID	1	SOLID
1	AUX 1	1	AUX 1
1	AUX 2	1	AUX 2
1	AUX 3	1	AUX 3
1	AUX 4	1	AUX 4
1	AUX 5	1	AUX 5
1	SUB 1	1	SUB 1
1	SUB 2	1	SUB 2
1	SUB 3	1	SUB 3
1	SUB 4	1	SUB 4
1	SUB 5	1	SUB 5
1	RELAY BASS	1	RELAY BASS

REV.	DATE	BY
1	03-21-91	380-0400-00 NEWPORT INPUT
1	5/12/91	WD

THIS DRAWING IS THE PROPERTY OF BIAMP SYSTEMS, INC. IT IS TO BE USED ONLY FOR THE PROJECT AND QUANTITY SPECIFIED. IT IS NOT TO BE REPRODUCED, COPIED, OR TRANSMITTED IN ANY FORM OR BY ANY MEANS, ELECTRONIC OR MECHANICAL, INCLUDING PHOTOCOPYING, RECORDING, OR BY ANY INFORMATION STORAGE AND RETRIEVAL SYSTEM. WITHOUT THE WRITTEN PERMISSION OF BIAMP SYSTEMS, INC.



BIAMP SYSTEMS
 14270 N.W. Science Park Drive
 Portland, Oregon 97229
 (503) 641-7287

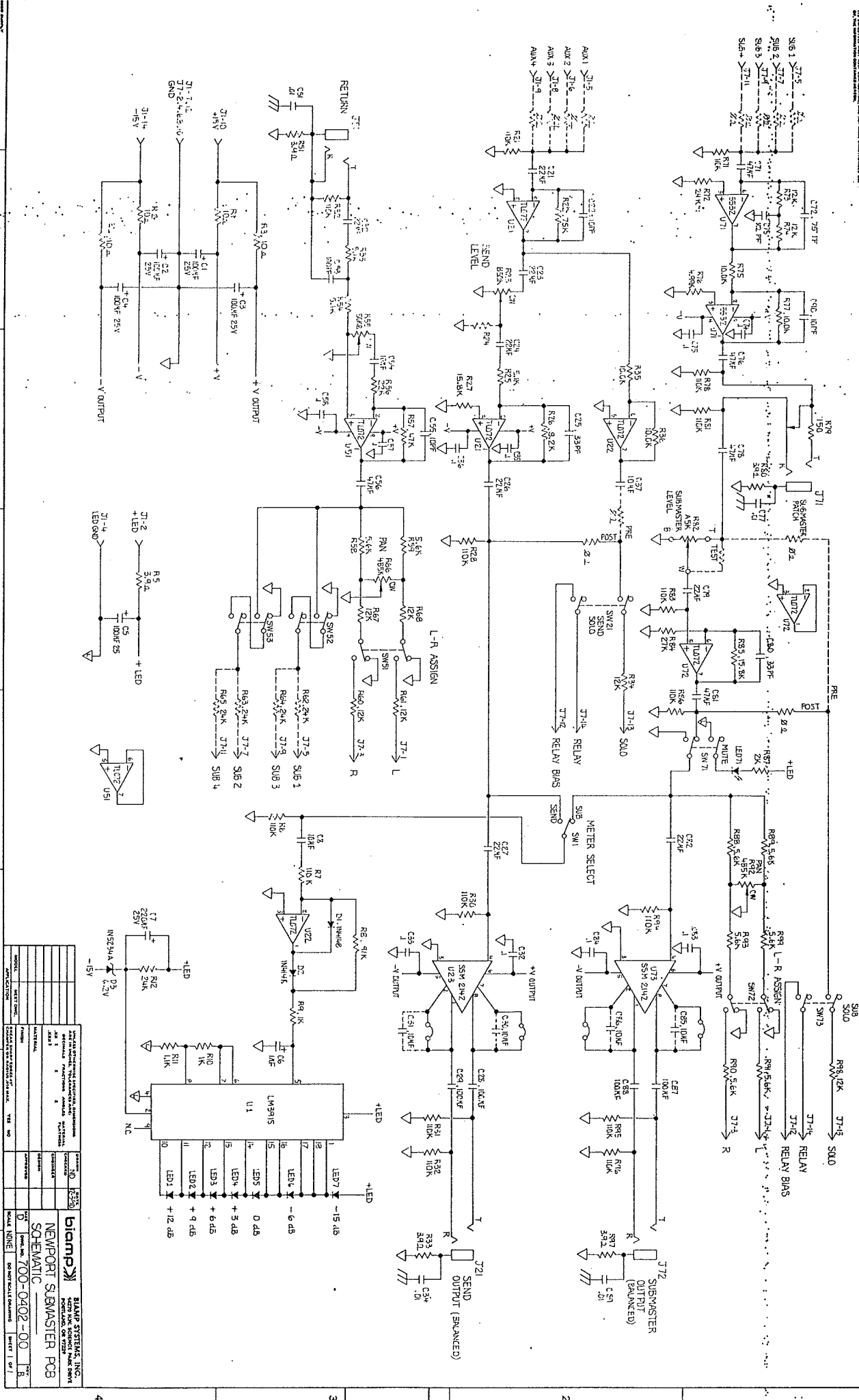


380-0400-00 REV.A
 NEWPORT STEREO INPUT PCB
 Sheet 1 of 5: Silkscreen

BIAMP SYSTEMS, INC.		COMPONENT LAYOUT	
DATE	REV.	DATE	REV.
025-11	A	025-11	A
380-0400-00 REV.A FILE		NEWPORT STEREO INPUT PCB	
Sheet 1 of 5		Sheet 1 of 5	

3800400.job - Sun Dec 09 23:00:25 1990

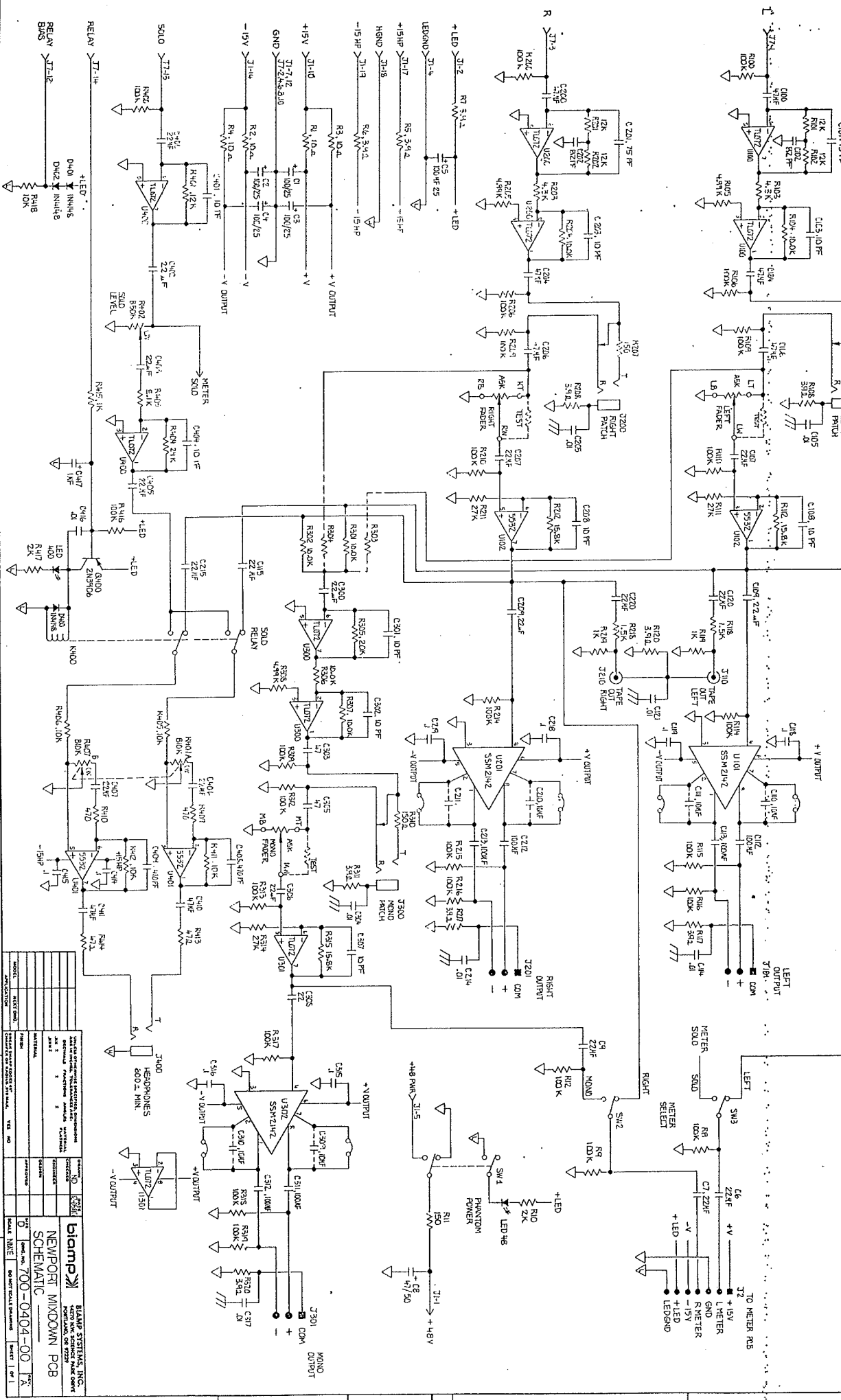
THIS DRAWING IS THE PROPERTY OF BIAMP SYSTEMS, INC. IT IS TO BE USED ONLY FOR THE PROJECT AND QUANTITY SPECIFIED THEREON. IT IS NOT TO BE REPRODUCED, COPIED, OR TRANSMITTED IN ANY FORM OR BY ANY MEANS, ELECTRONIC OR MECHANICAL, INCLUDING PHOTOCOPYING, RECORDING, OR BY ANY INFORMATION STORAGE AND RETRIEVAL SYSTEM, WITHOUT THE WRITTEN PERMISSION OF BIAMP SYSTEMS, INC.



DATE	2/25/80	REVISED	1
BY	WJ	DATE	2/25/80
CHKD	WJ	DATE	2/25/80
APPV	WJ	DATE	2/25/80
PROJECT	NEWPORT SUBMASTER PCB	DESIGNER	WJ
DATE	7/00-0402-00	CHKD	WJ
SCALE	NONE	APPV	WJ
PROJECT	BIAMP SYSTEMS, INC.	DATE	7/00-0402-00
DESCRIPTION	NEWPORT SUBMASTER PCB	BY	WJ
DATE	7/00-0402-00	CHKD	WJ
SCALE	NONE	APPV	WJ
PROJECT	BIAMP SYSTEMS, INC.	DATE	7/00-0402-00
DESCRIPTION	NEWPORT SUBMASTER PCB	BY	WJ
DATE	7/00-0402-00	CHKD	WJ
SCALE	NONE	APPV	WJ

REV	DATE	BY	DESCRIPTION
1	10/28/81	WJ	RELAY RELEASE
2	10/28/81	WJ	380-0402-00 RELAY RELEASE
3	3/23/81	WJ	

THIS SCHEMATIC IS THE PROPERTY OF BIAMP SYSTEMS, INC. IT IS TO BE USED FOR REPAIR AND MAINTENANCE PURPOSES ONLY. IT IS NOT TO BE REPRODUCED OR TRANSMITTED IN ANY FORM OR BY ANY MEANS, ELECTRONIC OR MECHANICAL, INCLUDING PHOTOCOPYING, RECORDING, OR BY ANY INFORMATION STORAGE AND RETRIEVAL SYSTEM. WITHOUT THE WRITTEN PERMISSION OF BIAMP SYSTEMS, INC.



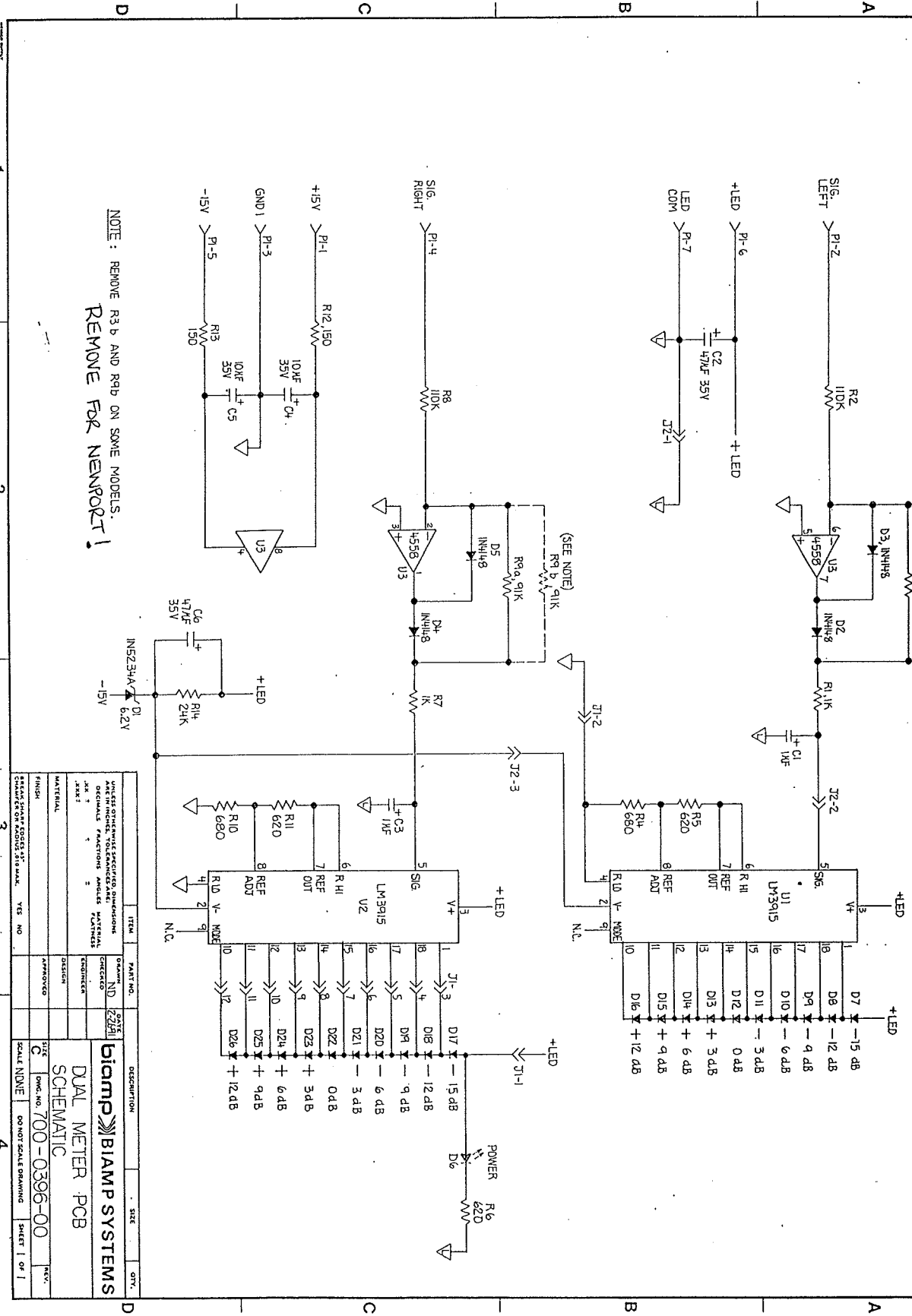
MODEL	NEWPORT MIXDOWN PCB
REVISION	1
DATE	04/04/00
DESIGNED BY	DAVID L. BROWN
CHECKED BY	DAVID L. BROWN
APPROVED BY	DAVID L. BROWN
DATE	04/04/00
DESIGNED BY	DAVID L. BROWN
CHECKED BY	DAVID L. BROWN
APPROVED BY	DAVID L. BROWN
DATE	04/04/00
DESIGNED BY	DAVID L. BROWN
CHECKED BY	DAVID L. BROWN
APPROVED BY	DAVID L. BROWN
DATE	04/04/00

Biamp
 BIAMP SYSTEMS, INC.
 1000 W. 10TH AVENUE
 DENVER, CO 80202
 TEL: 303.733.8800
 FAX: 303.733.8801
 WWW.BIAMP.COM

NEWPORT MIXDOWN PCB
 SCHEMATIC

SHEET 1 OF 1

THIS DRAWING IS THE PROPERTY OF BIAMP SYSTEMS, INC. AND IS NOT TO BE REPRODUCED OR TRANSMITTED IN ANY FORM OR BY ANY MEANS, ELECTRONIC OR MECHANICAL, INCLUDING PHOTOCOPYING, RECORDING, OR BY ANY INFORMATION STORAGE AND RETRIEVAL SYSTEM. ANY UNAUTHORIZED REPRODUCTION OR TRANSMISSION IS STRICTLY PROHIBITED. BIAMP SYSTEMS, INC. AND BIAMP SYSTEMS ARE REGISTERED TRADEMARKS OF BIAMP SYSTEMS, INC.



ITEM	DESCRIPTION	PART NO.	QTY.
1	U1 LM3915	2291	1
2	U2 LM3915	2291	1
3	U3 LM393	2291	1
4	U4 LM393	2291	1
5	R1 100K	2291	1
6	R2 100K	2291	1
7	R3a 91K	2291	1
8	R3b 91K	2291	1
9	R4 100K	2291	1
10	R5 620	2291	1
11	R6 620	2291	1
12	R7 1K	2291	1
13	R8 100K	2291	1
14	R9a 91K	2291	1
15	R9b 91K	2291	1
16	R10 1K	2291	1
17	R11 620	2291	1
18	R12 150	2291	1
19	R13 150	2291	1
20	R14 24K	2291	1
21	C1 1M	2291	1
22	C2 47M 35V	2291	1
23	C3 1M	2291	1
24	C4 10M 35V	2291	1
25	C5 10M 35V	2291	1
26	C6 47M 35V	2291	1
27	D1 IN4148	2291	1
28	D2 IN4148	2291	1
29	D3 IN4148	2291	1
30	D4 IN4148	2291	1
31	D5 IN4148	2291	1
32	D6 D6	2291	1
33	D7 D7	2291	1
34	D8 D8	2291	1
35	D9 D9	2291	1
36	D10 D10	2291	1
37	D11 D11	2291	1
38	D12 D12	2291	1
39	D13 D13	2291	1
40	D14 D14	2291	1
41	D15 D15	2291	1
42	D16 D16	2291	1
43	D17 D17	2291	1
44	D18 D18	2291	1
45	D19 D19	2291	1
46	D20 D20	2291	1
47	D21 D21	2291	1
48	D22 D22	2291	1
49	D23 D23	2291	1
50	D24 D24	2291	1
51	D25 D25	2291	1
52	D26 D26	2291	1

BIAMP SYSTEMS, INC.
 1000 W. 10TH AVENUE
 DENVER, CO 80202
 PHONE: 303-733-1100
 FAX: 303-733-1101
 WWW: WWW.BIAMP.COM

DATE: 03/96
 DRAWN: J. J. J.
 CHECKED: J. J. J.
 ENGINEER: J. J. J.
 DESIGN: J. J. J.
 APPROVED: J. J. J.

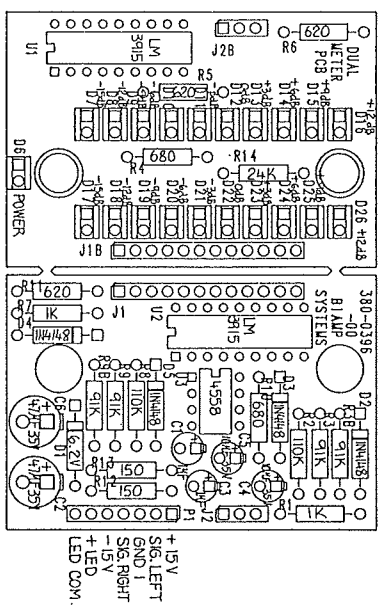
DESCRIPTION: DUAL METER PCB SCHEMATIC
 SIZE: 1000 X 700
 SHEET: 1 OF 1

SCALE: NONE
 DO NOT SCALE DRAWING

THIS DRAWING IS THE PROPERTY OF BIAMP SYSTEMS, INC. AND IS NOT TO BE REPRODUCED, COPIED, OR TRANSMITTED IN ANY FORM OR BY ANY MEANS, ELECTRONIC OR MECHANICAL, INCLUDING PHOTOCOPYING, RECORDING, OR BY ANY INFORMATION STORAGE AND RETRIEVAL SYSTEM. THE INFORMATION CONTAINED HEREIN IS UNCLASSIFIED EXCEPT WHERE SHOWN OTHERWISE.

BIAMP SYSTEMS
 14270 N.W. Science Park Drive
 Portland, Oregon 97229
 (503) 641-7287

380-0396-00
 DUAL METER PCB
 Sheet 1 of 5 : Silkscreen

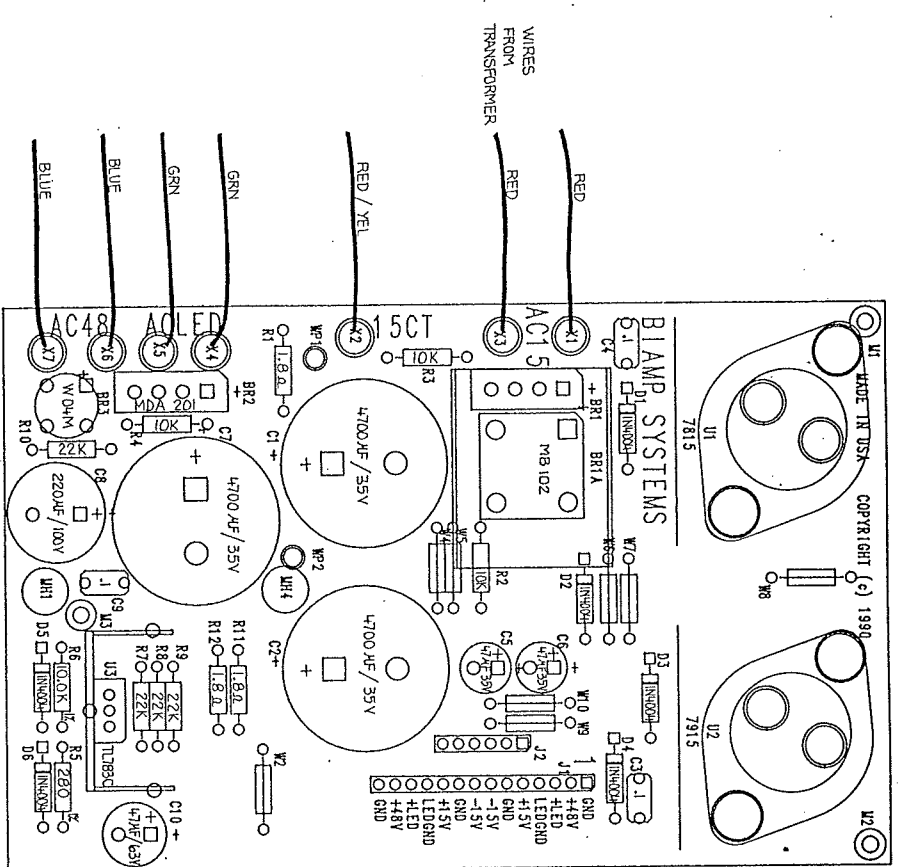


NOTE: REMOVE R3b AND R9b ON SOME MODELS.

ITEM	PART NO.	DESCRIPTION	SIZE	QTY.
1	ND	BIAMP SYSTEMS		
2	B-5-31	DUAL METER PCB		
3	701-0396-00	COMPONENT LAYOUT		
4		DO NOT SCALE DRAWING		

1 2 3 4

THE PATENTED & TRADE MARKED OF BAMP SYSTEMS, INC. AND THE DESIGN OF THE POWER SUPPLY UNIT IS THE PROPERTY OF BAMP SYSTEMS, INC. THE REPRODUCTION OF THIS DRAWING OR THE USE OF THE INFORMATION CONTAINED HEREIN FOR ANY OTHER PURPOSE IS STRICTLY PROHIBITED. THE INFORMATION CONTAINED HEREIN IS UNCLASSIFIED AND NOT BE RELEASED UNLESS SO INDICATED.



BAMP SYSTEMS
RACKMAX II POWER SUPPLY

NOTES: COMPONENTS SHOWN ARE OF A RESISTOR.

MODEL	NEXT TIME	APPLICATION	CHANGE ON RADIO 518 MAX.	YES	NO
380-02740-00					
DESCRIPTION BAMP SYSTEMS RACKMAX II/NEWPORT PWR. SUPPLY - COMPONENT LAYOUT					
SIZE SCALE 2X SHEET 1 of 1					

REV.	DATE	CHANGE	DATE	BY
A	03-91	CHG'D R1, R5, R6, R11, R12.	3-11-91	ND