

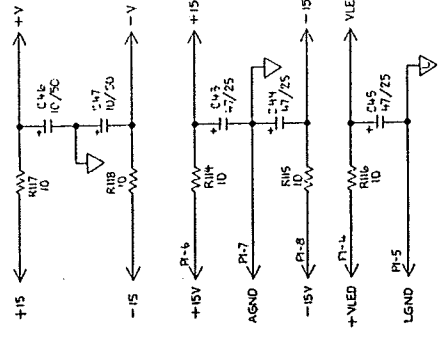
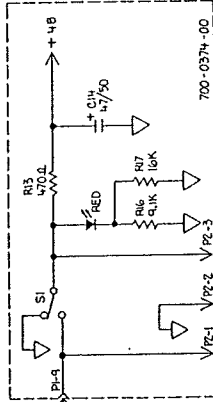
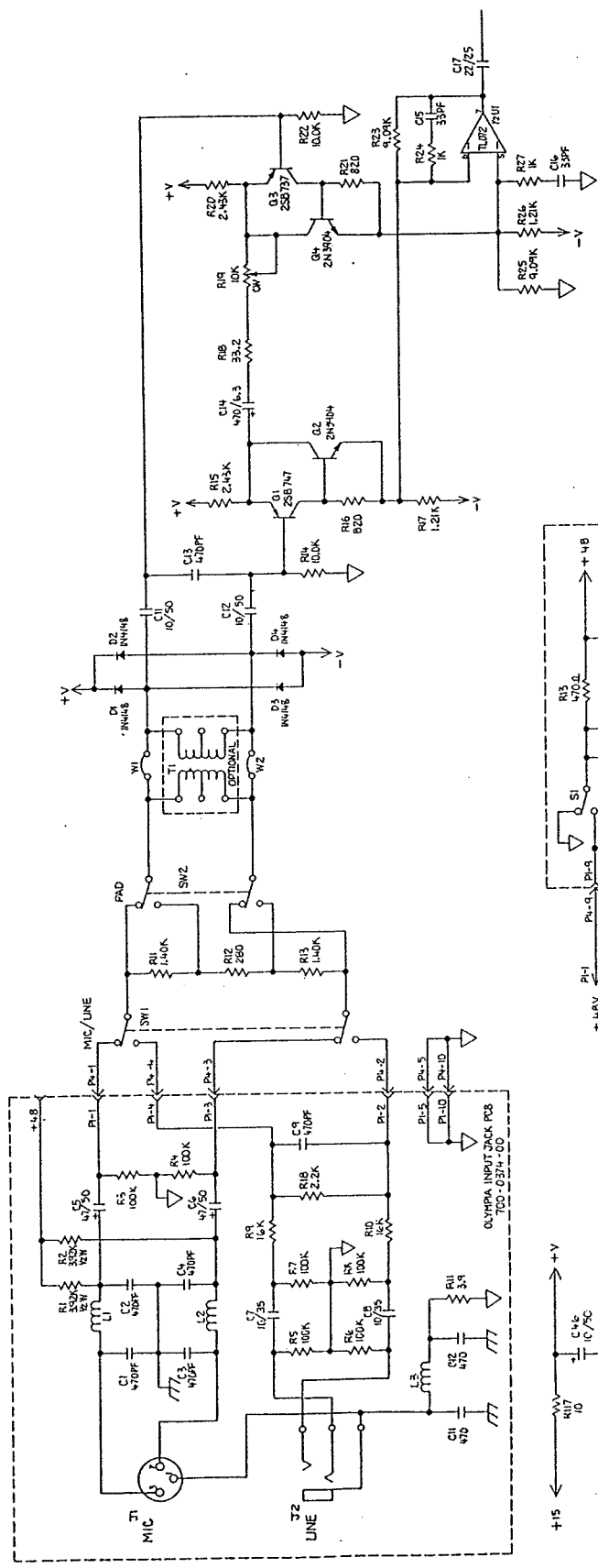
Olympia Series

Schematic



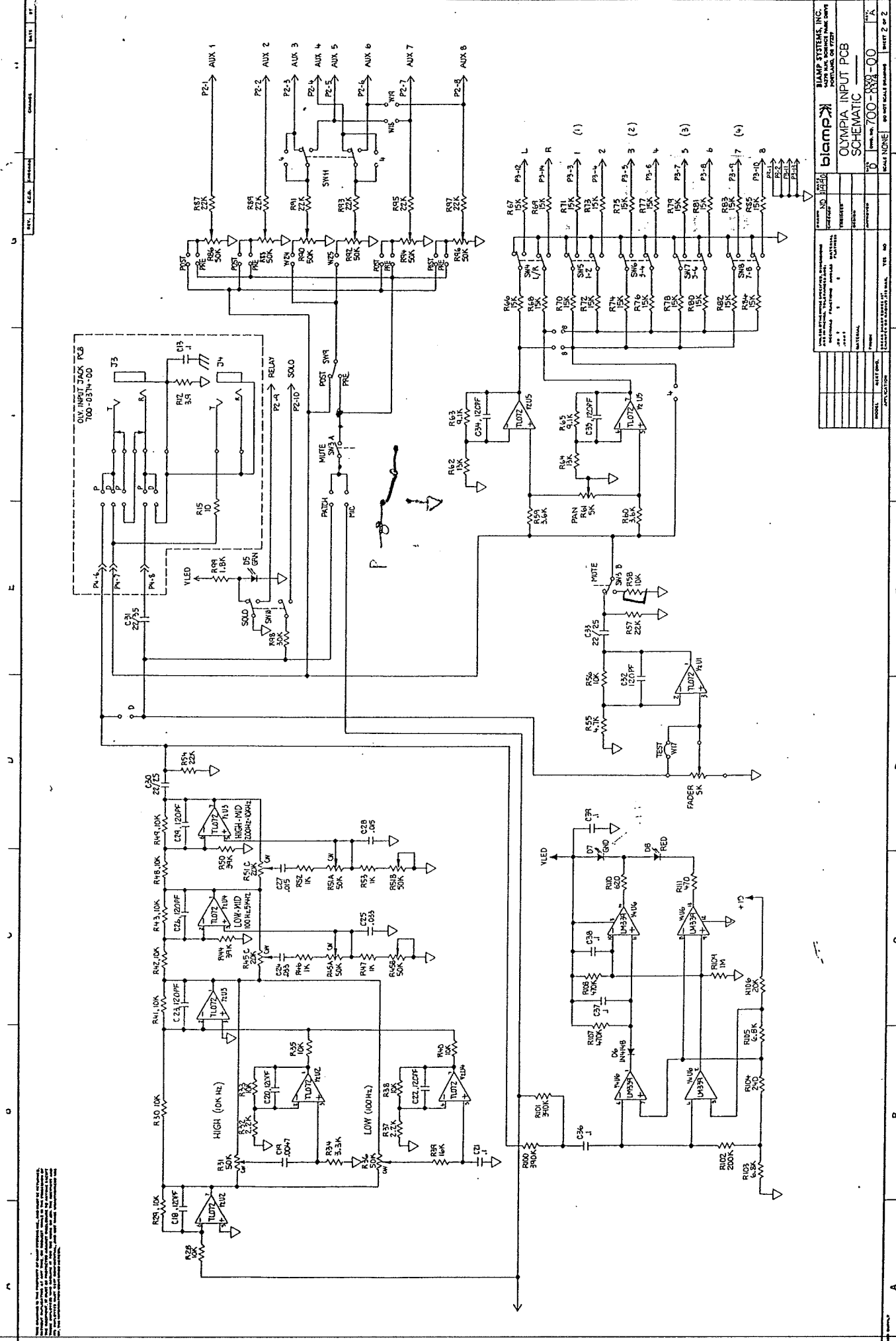
REV.	DATE	BY	CHKD.	APPV.	DESCRIPTION
A	03-91

REV. 03-91
 DATE 03-91
 BY ...
 CHKD. ...
 APPV. ...



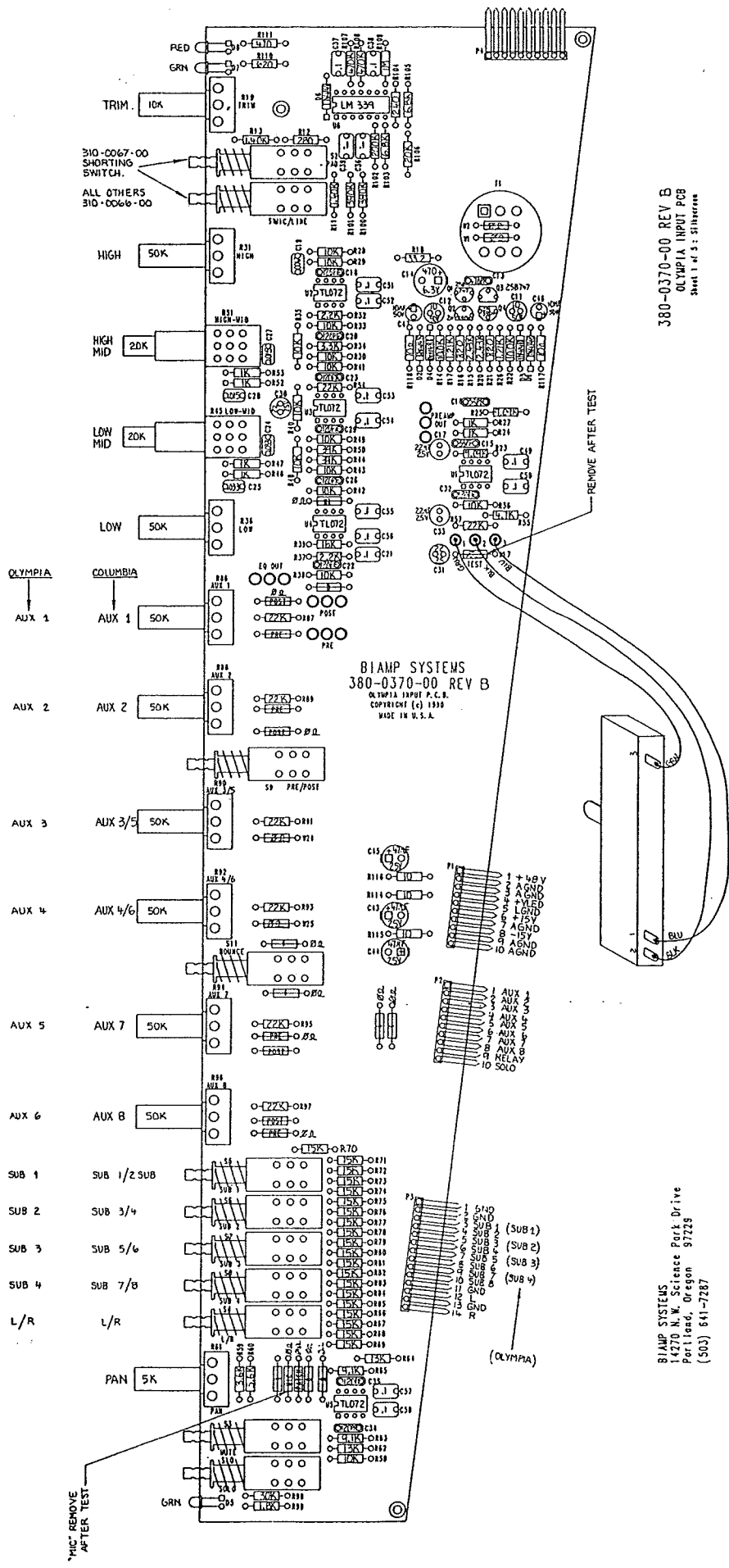
- LAST:
 R121
 C48 (4x1.5S, 1 UCTC)
 D8
 Q4
 U6
 SW1C
 W24
 J3

biamp		BIAMP SYSTEMS, INC. PORTLAND, OREGON 97221	
PROJECT NO.	700-0374-00	REV.	03-91
DATE	03-91	BY	...
CHKD.	...	APPV.	...
SCHEMATIC		SCHEMATIC	
700-0374-00		700-0374-00	
PAGE NO.		PAGE NO.	
1		1	



REV.	DATE	BY	CHKD.	APPV.
<p>OLYMPIA INPUT JACK PCB 700-0374-00</p>				
<p>blamp SYSTEMS, INC. OLYMPIA INPUT PCB SCHEMATIC</p>				
REV.	DATE	BY	CHKD.	APPV.
<p>MODEL: 700-0374-00 REV. NO. 00 DATE: 10/15/88 BY: J. M. H. / J. M. H.</p>				
<p>NO. OF SHEETS: 2 SHEET NO.: 1 OF 2</p>				

REV.	DATE	BY	CHKD.	DESCRIPTION
A	03-91			380-0370-00 REV. B FILM
B	07-91			CHG. SIZES TO SHORTING SWITCHES
C	08-91			UNCORRECTED LABELLING OF AUX. AIDS



380-0370-00 REV B
OLYMPIA INPUT PCB
Sheet 1 of 3: Silhouette

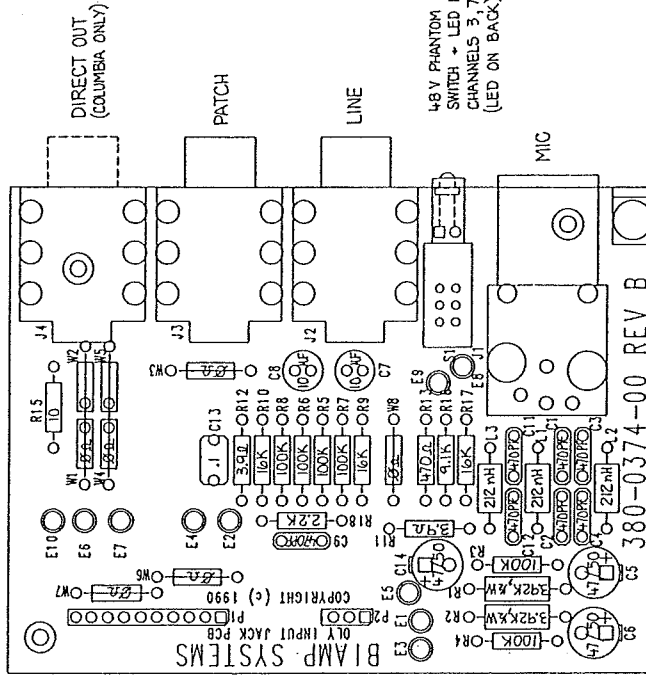
- NOTES:
- OLYMPIA: 1. REMOVE ALL 0 OHM RESISTORS MARKED "B".
 - 2. INSTALL 0Ω RESISTOR MARKED "U" BEHIND PAN CONTROL.
 - COLUMBIA: 1. REMOVE ALL 0 OHM RESISTORS MARKED "U".
 - 2. INSTALL SWITCH S11 "BOUNCE".

BIAMP SYSTEMS, INC.		DATE	REV.
OLYMPIA/COLUMBIA INPUT PCB		DATE	REV.
COMPONENT LAYOUT		DATE	REV.
DRAWN BY: []		DATE	REV.
CHECKED BY: []		DATE	REV.
APPROVED BY: []		DATE	REV.
SCALE: 2/1		DATE	REV.
SHEET NO. 701-0370-00		DATE	REV.
SHEET 1 OF 1		DATE	REV.

3800370A.job - Sat Jan 05 13:12:39 1991

THIS DRAWING IS THE PROPERTY OF BIAMP SYSTEMS, AND MUST BE RETURNED TO BIAMP SYSTEMS, 14270 N.W. SCIENCE PARK DRIVE, PORTLAND, OREGON 97229. IF THIS DRAWING IS REPRODUCED OR TRANSMITTED IN ANY FORM OR BY ANY MEANS, WITHOUT THE WRITTEN PERMISSION OF BIAMP SYSTEMS, IT IS HEREBY FORFEITED. THE INFORMATION CONTAINED HEREIN IS UNCLASSIFIED DATE 08/20/2014 BY 60324

BIAMP SYSTEMS
14270 N.W. Science Park Drive
Portland, Oregon 97229
(503) 641-7287

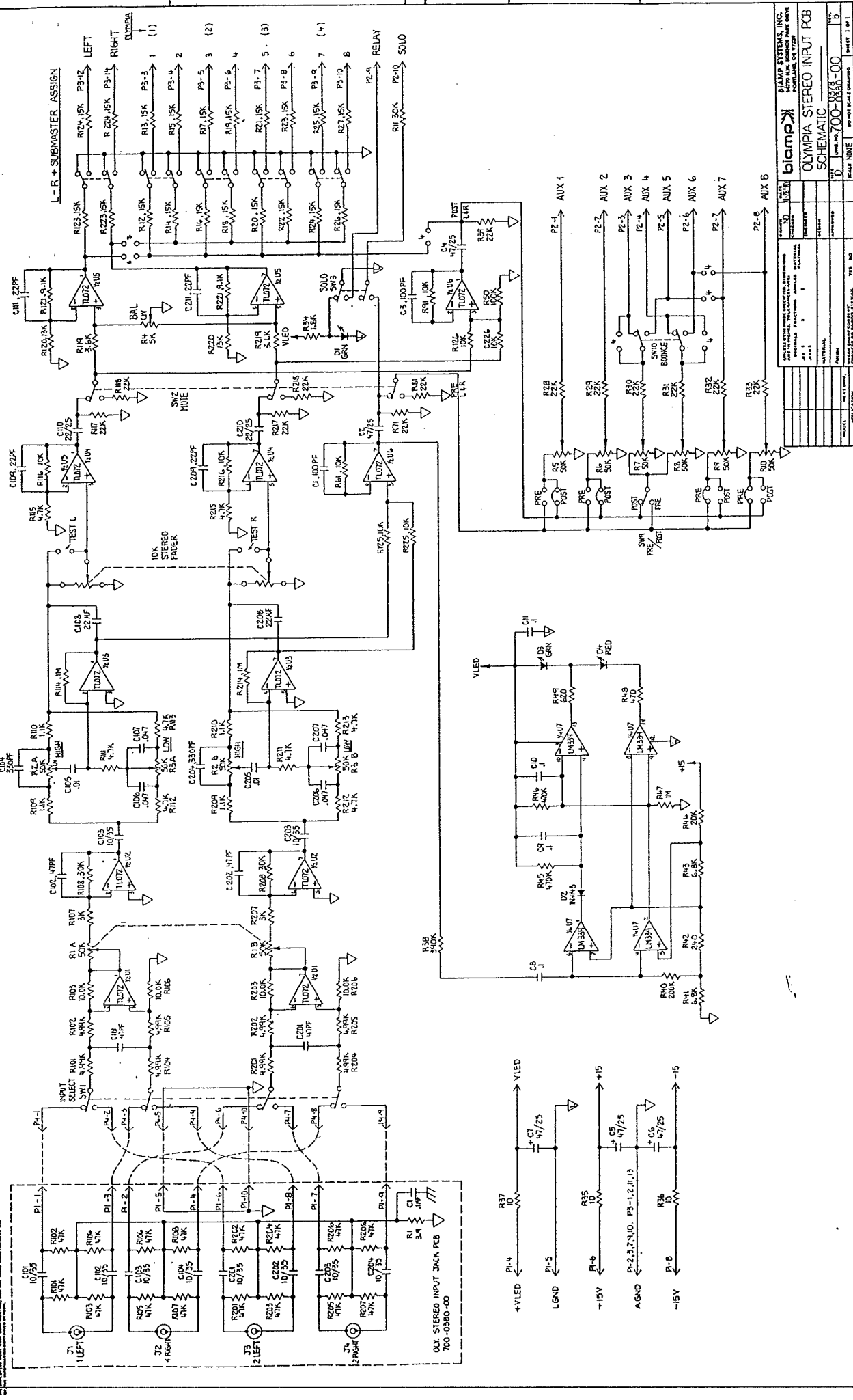


380-0374-00 REV B
OLYMPIA INPUT JACK PCB

Sheet 1 of 4 : Silkscreen

REV.	E.C.O.	CHANGE	DATE	BY
B	013-91	380-0374-00 REV. B FILM	5-20-91	ND

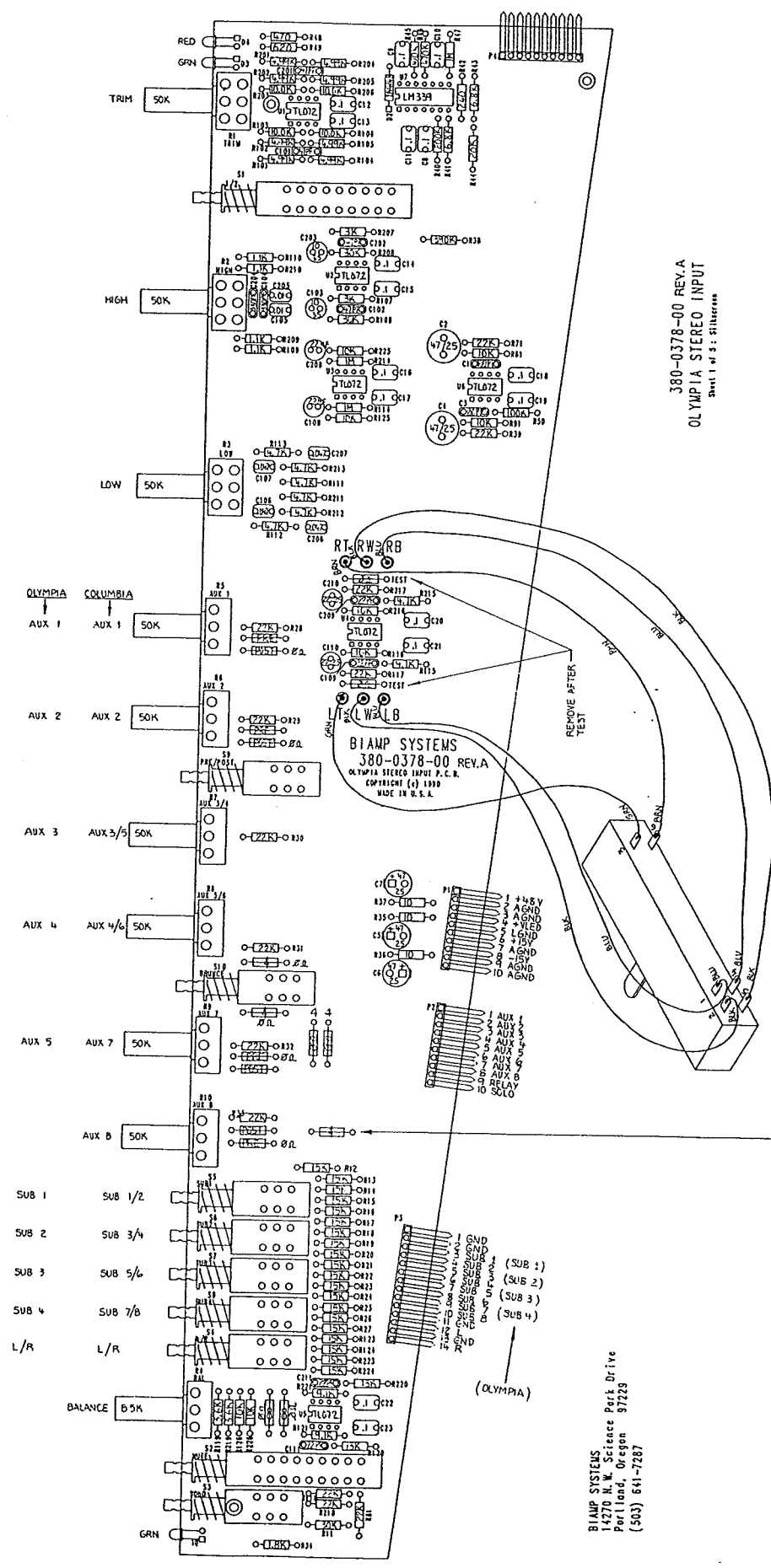
ITEM	PART NO.	DESCRIPTION	SIZE	QTY.
UNLESS OTHERWISE SPECIFIED, DIMENSIONS ARE IN INCHES. TOLERANCES ARE AS SHOWN. DECIMALS FRACTIONS ANGLES MATERIAL PARTS FINISH	GRABBY ND 55001	BIAMP SYSTEMS		
	ENGINEER	OLYMPIA/COLUMBIA INPUT JACK PCB		
	DESIGN	COMPONENT LAYOUT		
	APPROVED	DATE: 10-20-91		
		DWG. NO. 701-0374-00		
		BY: ND		
		COLUMBIA		
		SCALE	DO NOT SCALE DRAWING	SHEET 1 OF 4



blamp 1450 N.W. 22ND AVE. SUITE 100 PORTLAND, OR 97229	
MODEL: 700-0380-00 REV. 1.0	SHEET 1 OF 1

TITLE: OLYMPIA STEREO INPUT PCB SCHEMATIC
PROJECT: 700-0380-00
DRAWN BY: [Blank]
CHECKED BY: [Blank]
DATE: [Blank]

REV.	DATE	BY
A	01-23-74	380-0378-00 REV. A
B	02-28-74	TOP-ANT. PINS. DNG. CORRECTIONS.
C	06-05-74	CRK'D. NOT. RISE. 8.500. 8V.6.



- NOTES:
- 1. REMOVE ALL 0.01 OHM RESISTORS MARKED *0.
 - 2. INSTALL 0.1 RESISTOR MARKED *4* ABOVE R2.
- OLYMPIA:
- 1. REMOVE ALL 0.01 OHM RESISTORS MARKED *4*.
 - 2. INSTALL SWITCH SID *BOUNCE*.

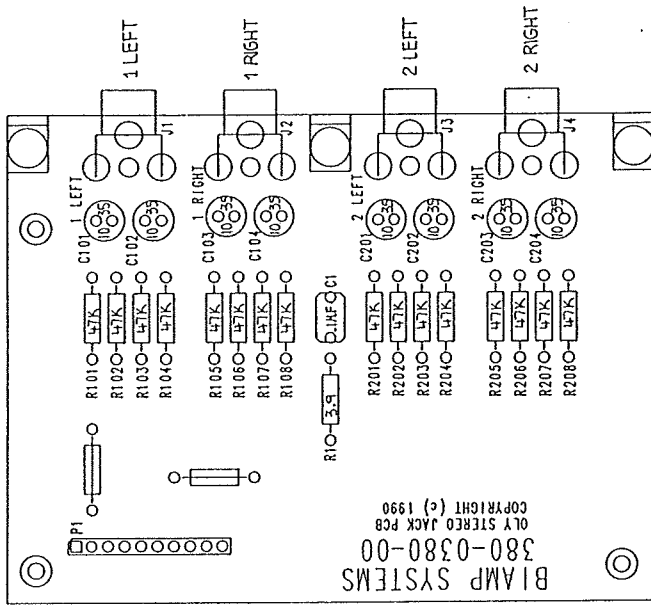
BIAMP SYSTEMS
 14270 N.W. Science Park Drive
 Portland, Oregon 97229
 (503) 641-7287

BIAMP SYSTEMS, INC.	
MADE IN U.S.A. (SHEET 1 OF 1)	
OLYMPIA STEREO INPUT PCB	
COMPONENT LAYOUT	
REV.	70
DATE	10-1-70
DESIGNED BY	W. J. B. / J. S.
CHECKED BY	W. J. B. / J. S.

3800378.job - Thu Nov 15 15:54:02 1990

THIS DRAWING IS THE PROPERTY OF BIAMP SYSTEMS, INC. AND IS NOT TO BE REPRODUCED OR TRANSMITTED IN ANY FORM OR BY ANY MEANS, ELECTRONIC OR MECHANICAL, INCLUDING PHOTOCOPYING, RECORDING, OR BY ANY INFORMATION STORAGE AND RETRIEVAL SYSTEM. THE USER SHALL INDEMNIFY BIAMP SYSTEMS, INC. FROM AND AGAINST ALL SUCH REPRODUCTION AND TRANSMISSION. THE USER SHALL BE RESPONSIBLE FOR OBTAINING ALL NECESSARY PERMITS AND APPROVALS FROM THE APPROPRIATE AUTHORITIES. THE USER SHALL BE RESPONSIBLE FOR OBTAINING ALL NECESSARY PERMITS AND APPROVALS FROM THE APPROPRIATE AUTHORITIES. THE USER SHALL BE RESPONSIBLE FOR OBTAINING ALL NECESSARY PERMITS AND APPROVALS FROM THE APPROPRIATE AUTHORITIES.

BIAMP SYSTEMS
 14270 N.W. Science Park Drive
 Portland, Oregon 97229
 (503) 641-7287

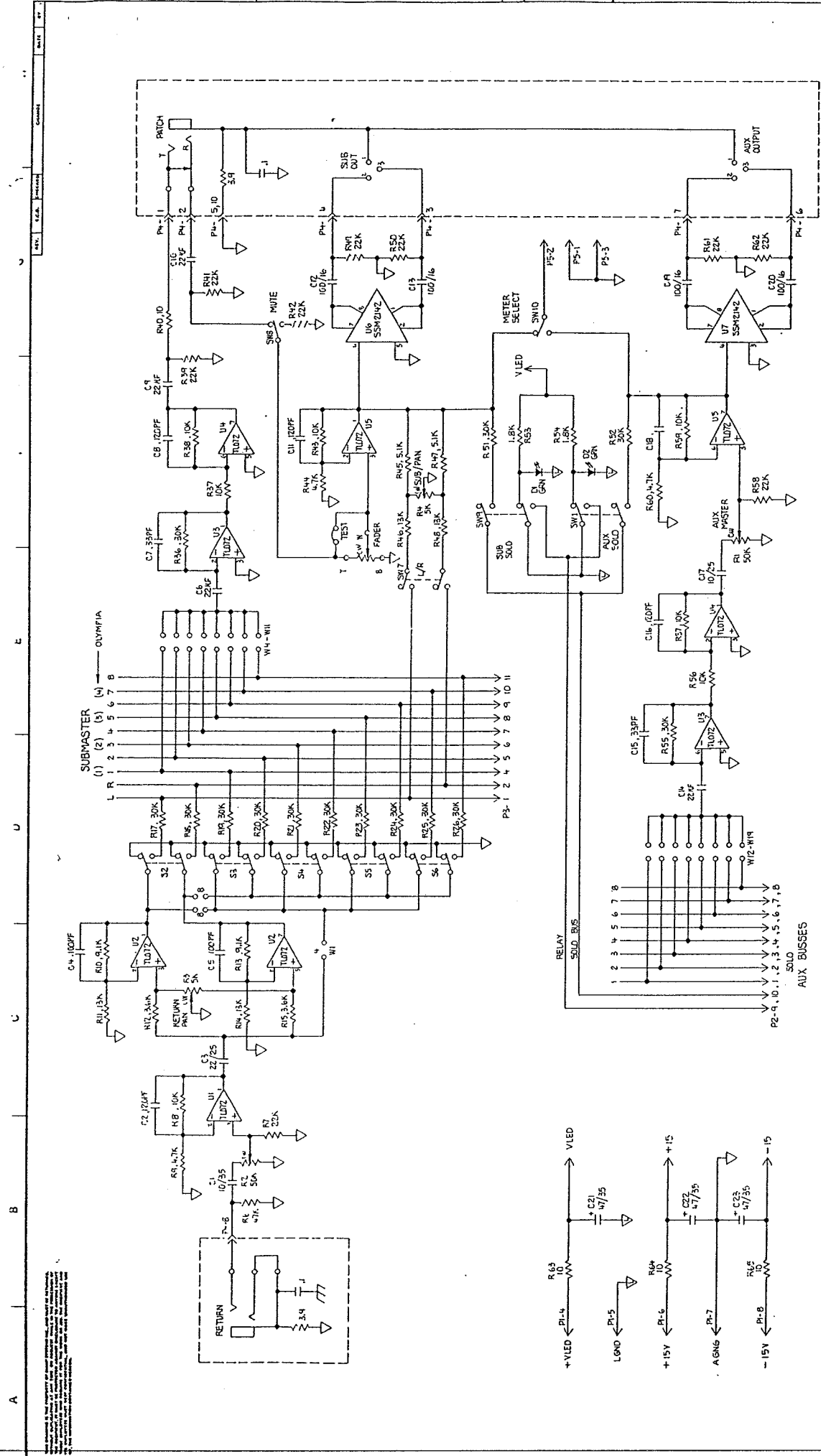


BIAMP SYSTEMS
 380-0380-00
 OLY STEREO JACK PCB
 COPYRIGHT (c) 1990

380-0380-00
 OLYMPIA STEREO INPUT JACK PCB
 Sheet 1 of 4 : Silkscreen

REV.	E.C.O.	CHANGE	DATE	BY

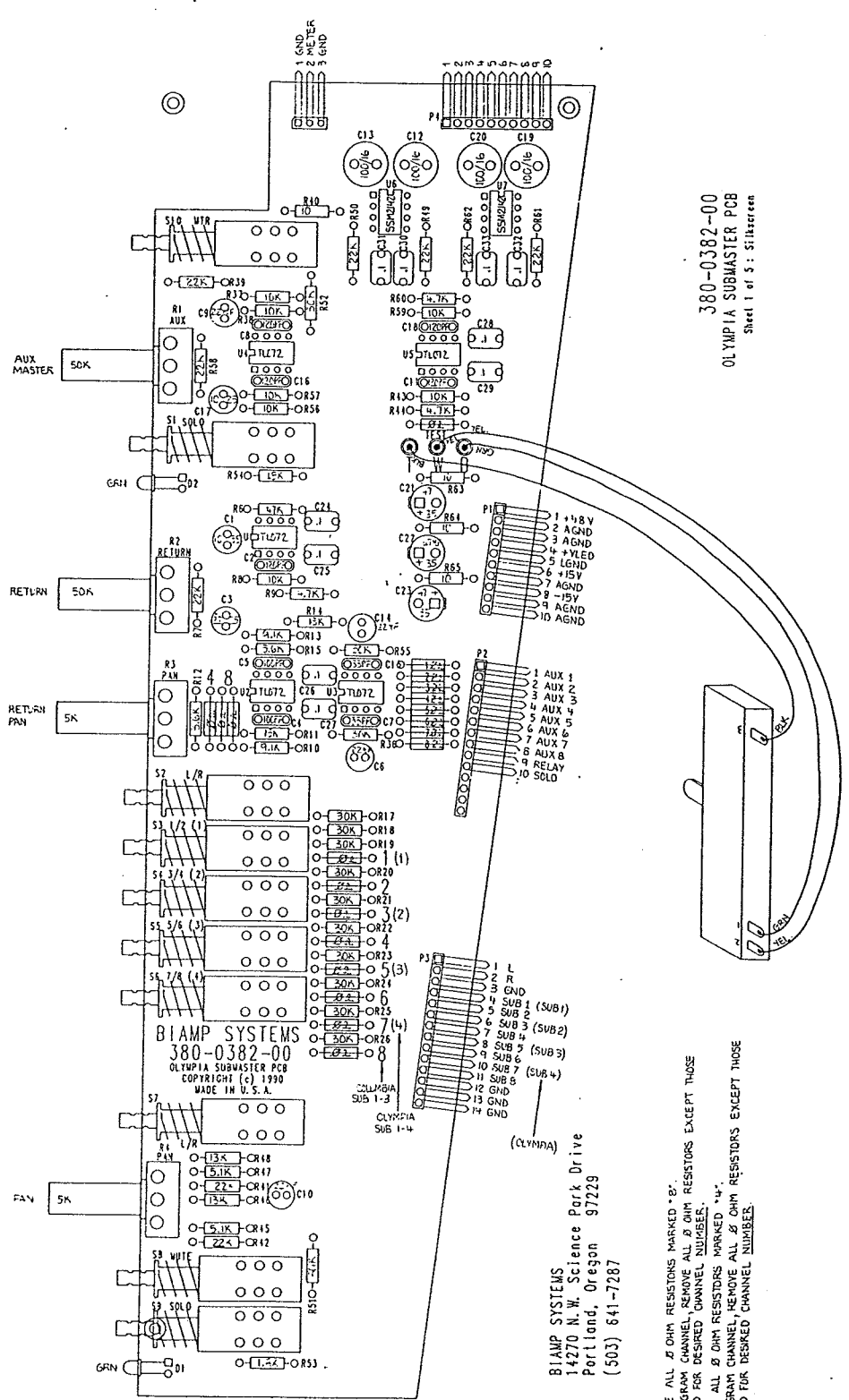
ITEM	PART NO.	DATE	DESCRIPTION	SIZE	QTY.
UNLESS OTHERWISE SPECIFIED, DIMENSIONS ARE IN INCHES. TOLERANCES ARE:		1/27/91	BIAMP SYSTEMS		
FRACTIONS: ANGLES: PLAINNESS:			OLY/OLY STEREO INPUT JACK PCB		
			COMPONENT LAYOUT		
MATERIAL:					
FINISH:					
DESIGN APPROVED:					
DATE:					
SCALE:	2/1				
DO NOT SCALE DRAWING					SHEET 1 OF 1



biamp		OLYMPIA SUB MASTER PCB	
SCHEMATIC		700-0382-00	
REV	DATE	DESIGNED BY	DATE
1			
2			
3			
4			
5			
6			
7			
8			
9			
10			
11			
12			
13			
14			
15			
16			
17			
18			
19			
20			
21			
22			
23			
24			
25			
26			
27			
28			
29			
30			
31			
32			
33			
34			
35			
36			
37			
38			
39			
40			
41			
42			
43			
44			
45			
46			
47			
48			
49			
50			
51			
52			
53			
54			
55			
56			
57			
58			
59			
60			
61			
62			
63			
64			
65			
66			
67			
68			
69			
70			
71			
72			
73			
74			
75			
76			
77			
78			
79			
80			
81			
82			
83			
84			
85			
86			
87			
88			
89			
90			
91			
92			
93			
94			
95			
96			
97			
98			
99			
100			

REV	DATE	DESIGNED BY	DATE
1			
2			
3			
4			
5			
6			
7			
8			
9			
10			
11			
12			
13			
14			
15			
16			
17			
18			
19			
20			
21			
22			
23			
24			
25			
26			
27			
28			
29			
30			
31			
32			
33			
34			
35			
36			
37			
38			
39			
40			
41			
42			
43			
44			
45			
46			
47			
48			
49			
50			
51			
52			
53			
54			
55			
56			
57			
58			
59			
60			
61			
62			
63			
64			
65			
66			
67			
68			
69			
70			
71			
72			
73			
74			
75			
76			
77			
78			
79			
80			
81			
82			
83			
84			
85			
86			
87			
88			
89			
90			
91			
92			
93			
94			
95			
96			
97			
98			
99			
100			

H
G
F
E
D
C
B
A



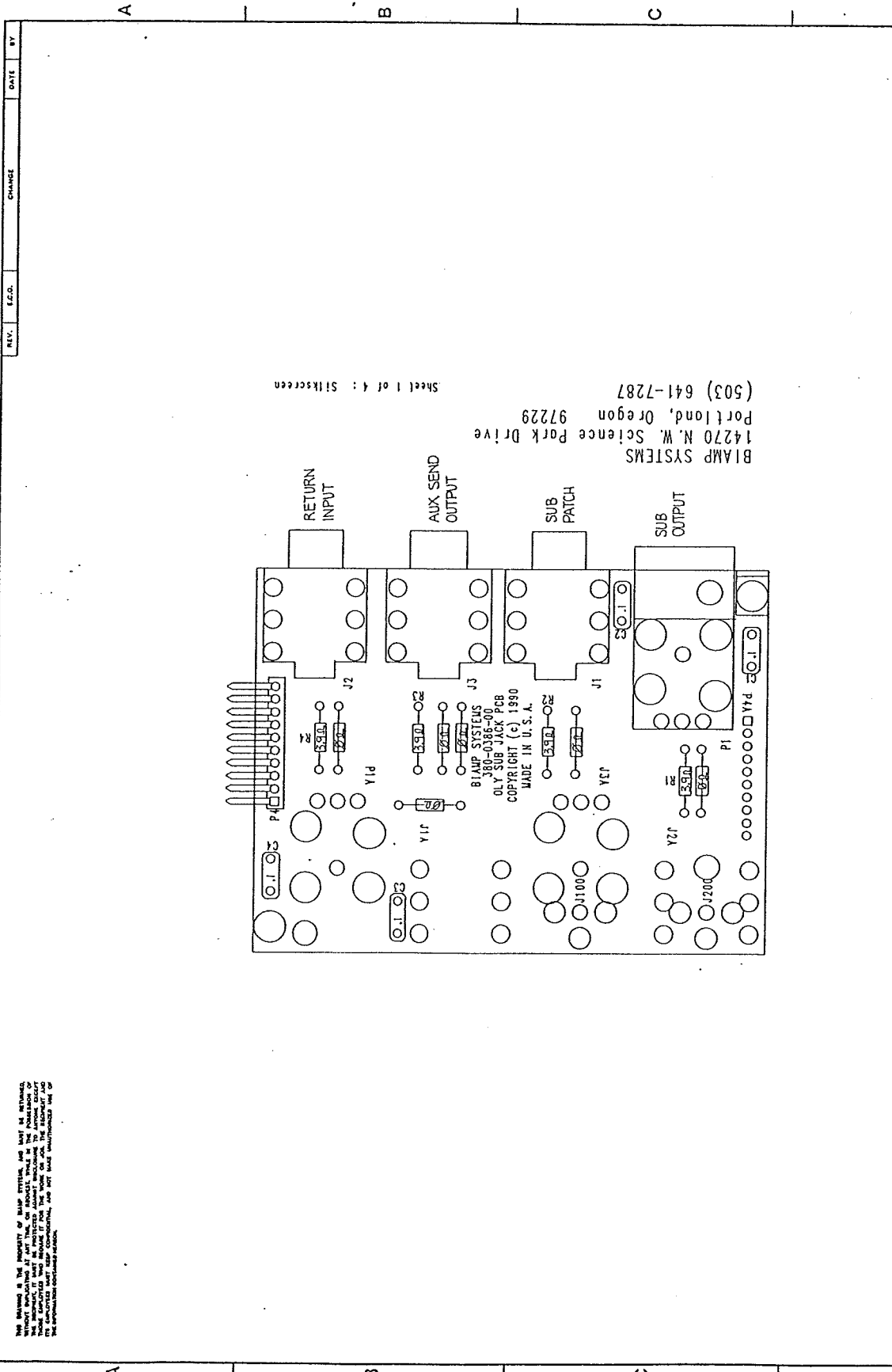
380-0382-00
OLYMPIA SUBMASTER PCB
Sheet 1 of 5 : Silkscreen

- NOTES:**
- OLYMPIA: 1. REMOVE ALL 0 OHM RESISTORS MARKED "0".
 - 2. TO PROGRAM CHANNEL, REMOVE ALL 0 OHM RESISTORS EXCEPT THOSE MARKED FOR DESIRED CHANNEL NUMBER.
 - COLUMBIA: 1. REMOVE ALL 0 OHM RESISTORS MARKED "4".
 - 2. TO PROGRAM CHANNEL, REMOVE ALL 0 OHM RESISTORS EXCEPT THOSE MARKED FOR DESIRED CHANNEL NUMBER.

BIAMP SYSTEMS
14270 N.W. Science Park Drive
Portland, Oregon 97229
(503) 641-7287

BIAMP SYSTEMS, INC.	
14270 N.W. SCIENCE PARK DRIVE PORTLAND, OREGON 97229	
DATE	REVISED
DESIGNED BY	DATE
CHECKED BY	DATE
APPROVED BY	DATE
MATERIAL	DATE
TEST	DATE
PREPARED BY	DATE
DATE OF PRELIMINARY	SHEET 1 OF 5

3800382.100 - Wed Dec 05 20:04:07 1990



THIS DRAWING IS THE PROPERTY OF BIAMP SYSTEMS, AND MUST BE RETURNED TO BIAMP SYSTEMS, PORTLAND, OREGON, UPON REQUEST. NO PART OF THIS DRAWING IS TO BE REPRODUCED OR TRANSMITTED IN ANY FORM OR BY ANY MEANS, ELECTRONIC OR MECHANICAL, INCLUDING PHOTOCOPYING, RECORDING, OR BY ANY INFORMATION STORAGE AND RETRIEVAL SYSTEM. THE COMPANY ASSUMES NO LIABILITY FOR DAMAGES OR LOSSES OF ANY KIND, INCLUDING DIRECT, INDIRECT, SPECIAL, INCIDENTAL, OR CONSEQUENTIAL DAMAGES, ARISING FROM THE USE OF THIS DRAWING.

BIAMP SYSTEMS
 14270 N.W. Science Park Drive
 Portland, Oregon 97229
 (503) 641-7287

Sheet 1 of 4 : SIKSCREEN

REV.	E.C.D.	CHANGE	DATE	BY

ITEM	DESCRIPTION	SIZE	QTY.
1	BIAMP SYSTEMS	C	1
2	OLYMPIA/COLUMBIA SUB I-2 JACK PCB COMPONENT LAYOUT	7.0	1

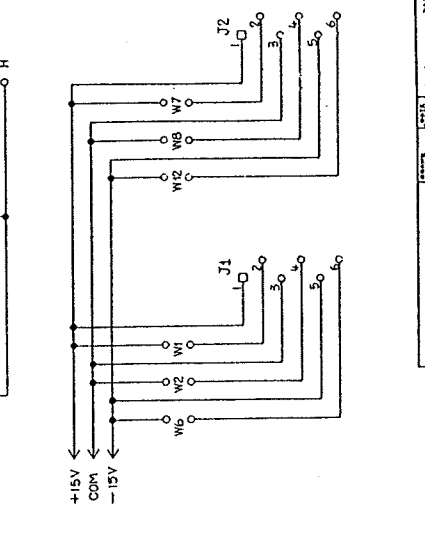
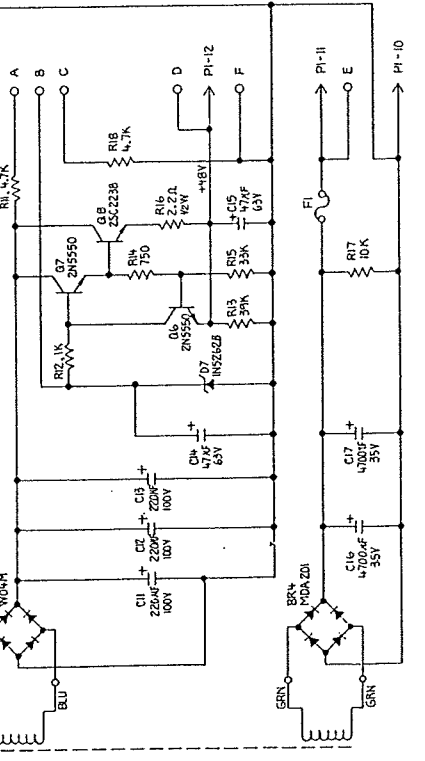
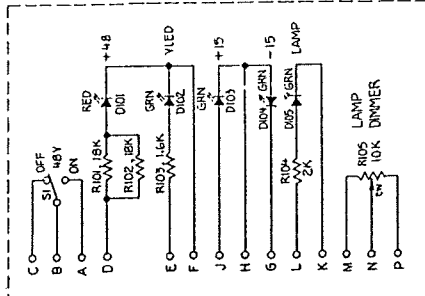
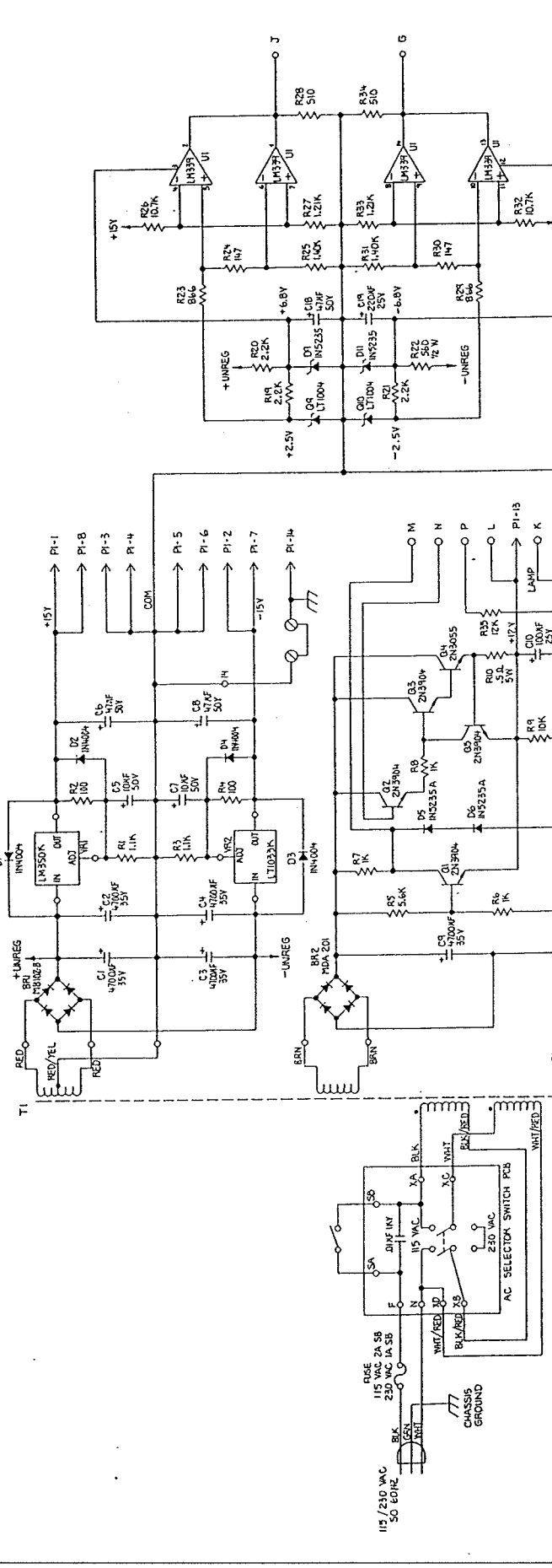
PART NO.	DRW. NO.	SIZE	QTY.
380-0386-00	7.0	C	1

ITEM	DESCRIPTION	SIZE	QTY.
1	BIAMP SYSTEMS	C	1
2	OLYMPIA/COLUMBIA SUB I-2 JACK PCB COMPONENT LAYOUT	7.0	1

FINISH	SCALE	REV.
	2/1	

FINISH	SCALE	REV.
	2/1	

115/230 VAC
50/60HZ



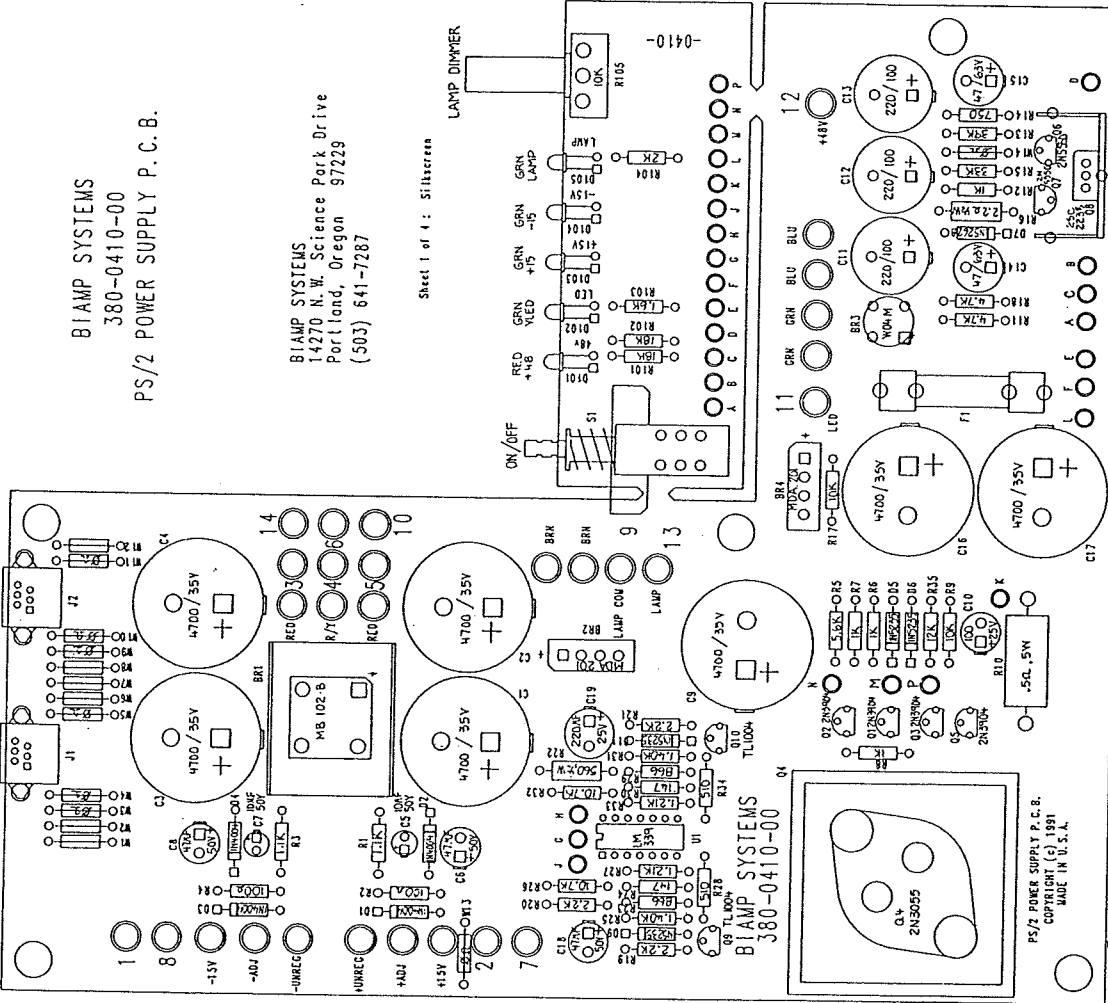
BIAMP SYSTEMS, INC.		DATE	REV.
1000 S. 10TH AVE.		DATE	REV.
PORTLAND, OR 97227		DATE	REV.
SCHEMATIC		DATE	REV.
PS/2		DATE	REV.
DRAWING NO. 700-0410-00		DATE	REV.
SCALE: NONE		DATE	REV.
SHEET 1 OF 1		DATE	REV.

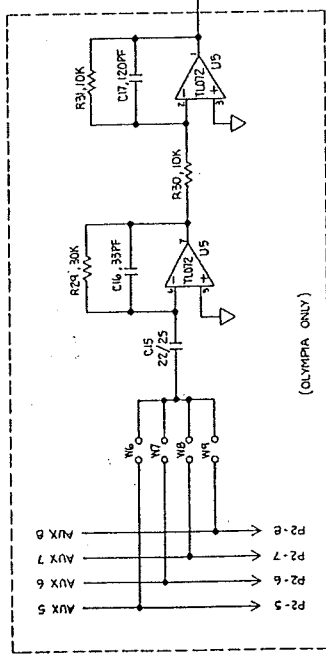
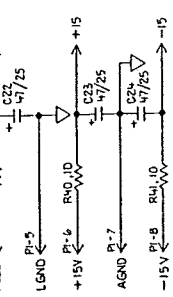
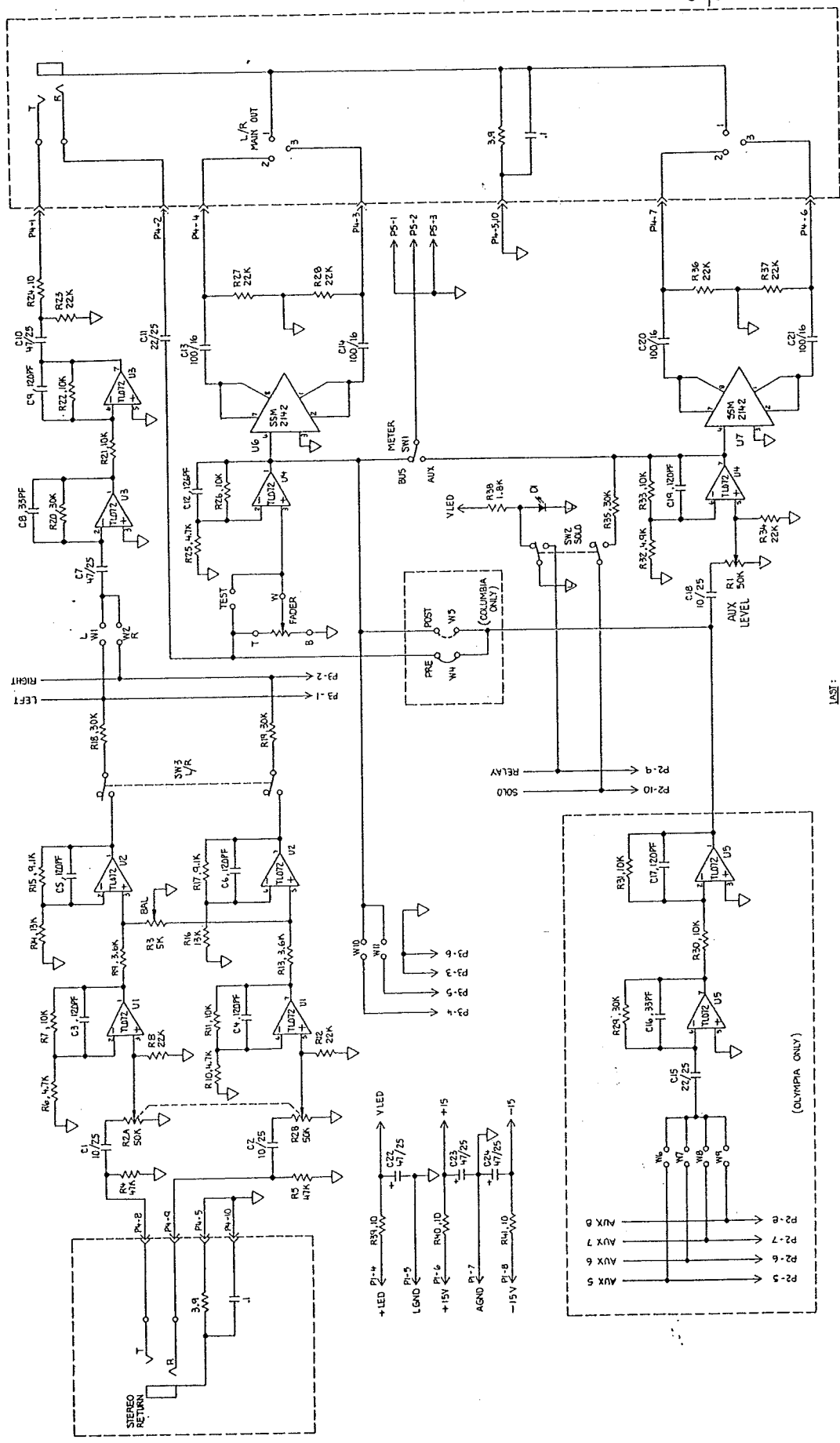
A B C D E F G H

BIAMP SYSTEMS
 380-0410-00
PS/2 POWER SUPPLY P.C.B.

BIAMP SYSTEMS
 14270 N. W. Science Park Drive
 Portland, Oregon 97229
 (503) 641-7287

Sheet 1 of 4: Silkscreens





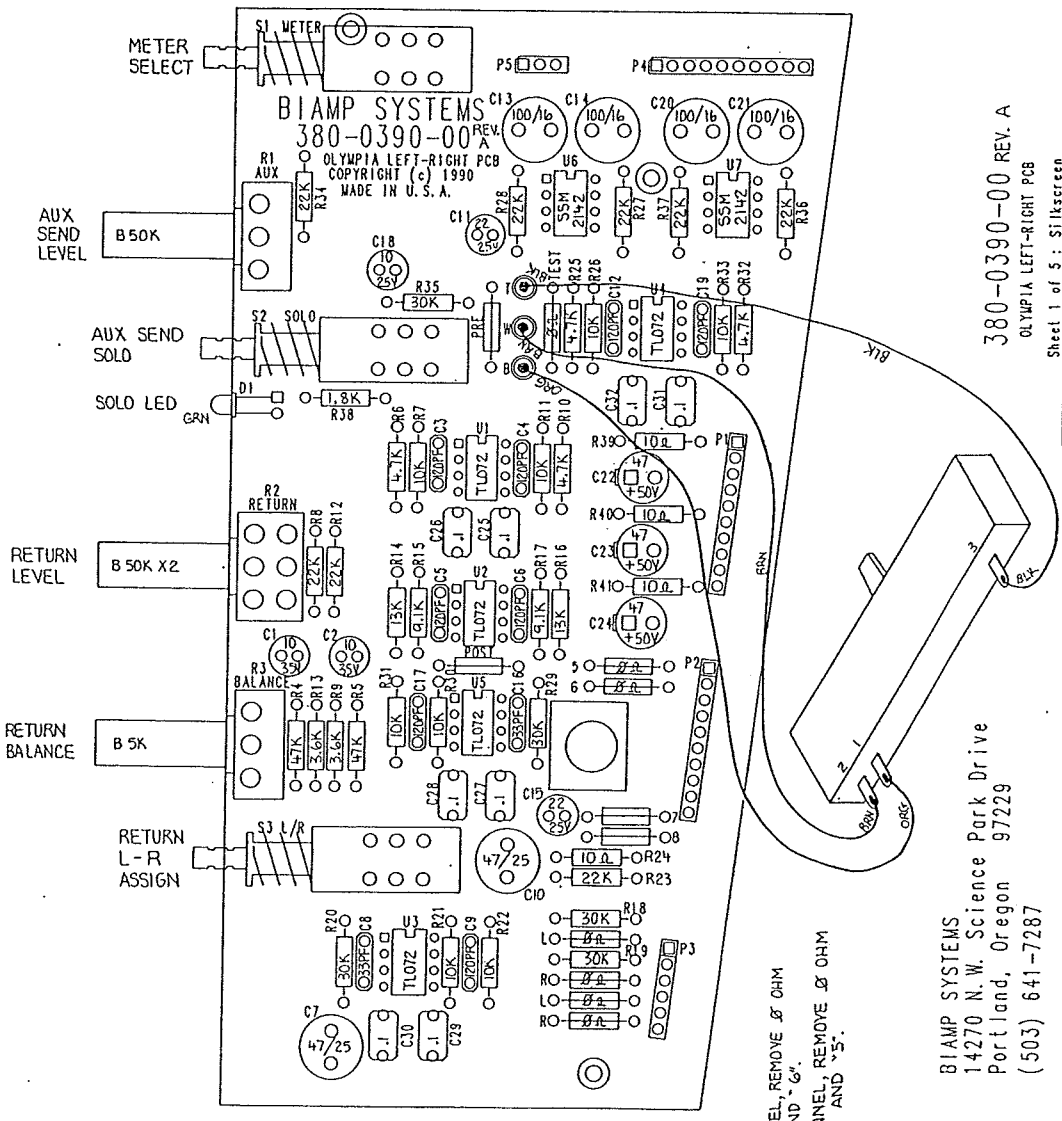
- R 4
 C 24
 SW 3
 P 5
 V 10

blamp

OLYMPIA/COLUMBIA LEFT-RIGHT SCHEMATIC

PART NO. 700-0390-00
 REV. 5-6-64
 DRAWN BY:
 CHECKED BY:
 DATE:
 PART 1 OF 1

REV.	E.C.O.	CHANGE	DATE	BY
A	103-91	380-0390-00 REV. A FILM	3-20-91	ND



BIAMP SYSTEMS
380-0390-00 REV. A
OLYMPIA LEFT-RIGHT PCB

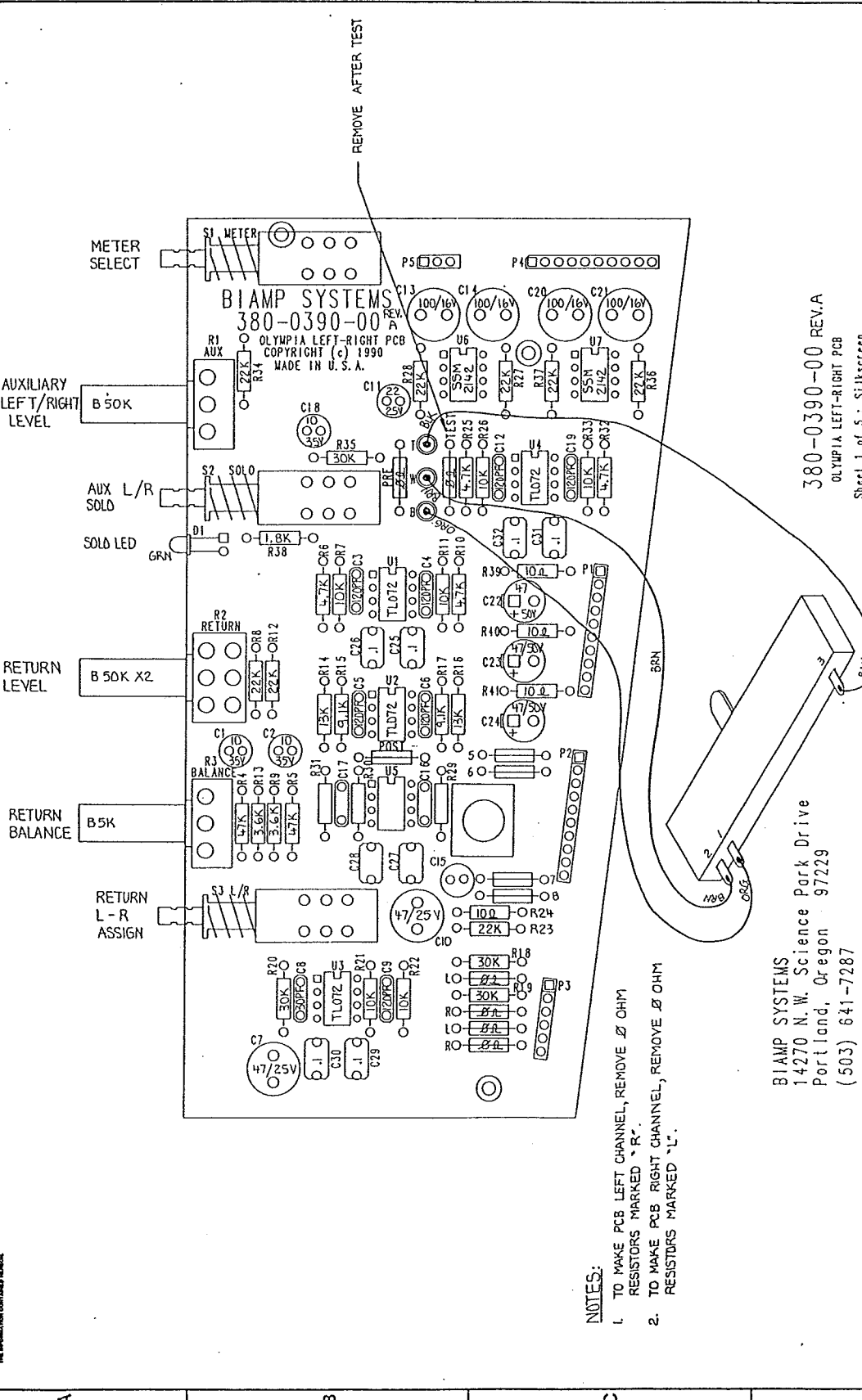
BIAMP SYSTEMS
14270 N.W. Science Park Drive
Portland, Oregon 97229
(503) 641-7287

- NOTES:
1. TO MAKE PCB LEFT CHANNEL, REMOVE δ OHM RESISTORS MARKED "R" AND "G".
 2. TO MAKE PCB RIGHT CHANNEL, REMOVE δ OHM RESISTORS MARKED "L" AND "S".

DESCRIPTION	SIZE	QTY.
BIAMP SYSTEMS		
OLYMPIA LEFT-RIGHT PCB ASSY		
COMPONENT LAYOUT		
REV. C	DWG. NO. 701-0390-00	REV. A
SCALE 2/1	DO NOT SCALE DRAWING	SHEET 1 OF 1

ITEM	PART NO.	DESCRIPTION	QTY.
1	ND	UNLESS OTHERWISE SPECIFIED DIMENSIONS ARE IN INCHES. TOLERANCES ARE:	
2	ND	ORIGINALS: FRACTIONS ANGLES PLACES	
3	ND	SCALE	
4	ND	MATERIAL	
5	ND	FINISH	
6	ND	DESIGN APPROVED	
7	ND	DATE	
8	ND	BY	
9	ND	SCALE	
10	ND	YES NO	

REV.	ECO.	CHANGE	DATE	BY
A	003-91	380-0390-00 REV. A FILM	3-20-91	ND
B	NONE	CARD FROM POST TO PREP	4-18-91	ND



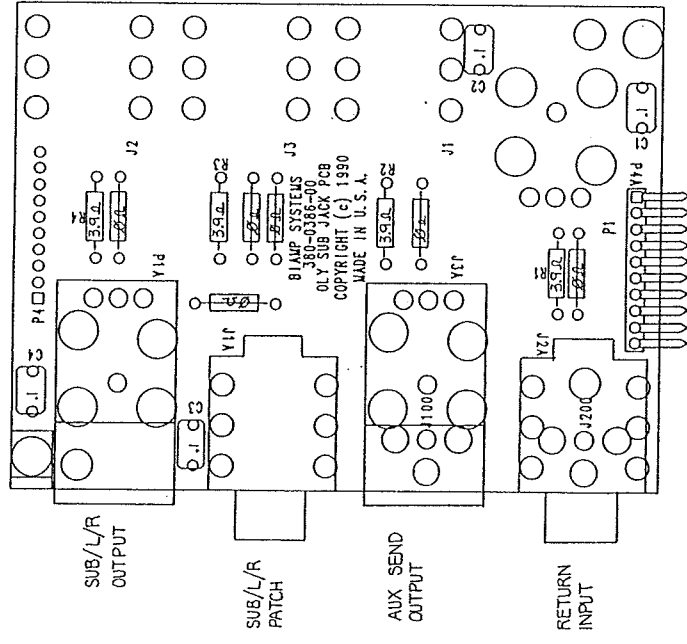
ITEM	PART NO.	DESCRIPTION	SIZE	QTY.
UNLESS OTHERWISE SPECIFIED, DIMENSIONS ARE IN INCHES. TOLERANCES ARE: DIMENSIONS IN PARENTHESES ARE MATERIAL SPECIFICATIONS. DIMENSIONS IN PARENTHESES ARE MATERIAL SPECIFICATIONS.				
DRYING	1/24			
CREATED				
ENGINEER				
DESIGN				
APPROVAL				
FINISH				
YES	NO			
SCALE	2/1	DO NOT SCALE DRAWING		
SHEET	1 OF 1			

380-0390-00 REV.A
OLYMPIA LEFT-RIGHT PCB

BIAMP SYSTEMS
14270 N.W. Science Park Drive
Portland, Oregon 97229
(503) 641-7287

- NOTES:
1. TO MAKE PCB LEFT CHANNEL, REMOVE Ø OHM RESISTORS MARKED "R".
 2. TO MAKE PCB RIGHT CHANNEL, REMOVE Ø OHM RESISTORS MARKED "L".

THE MAKER OF THIS DRAWING IS NOT RESPONSIBLE FOR THE PROPER USE OF THE DRAWING. THE USER IS ADVISED THAT THIS DRAWING IS UNCLASSIFIED AND NOT BE RELEASED TO THE PUBLIC WITHOUT THE WRITTEN AUTHORIZATION OF THE BUREAU OF RESEARCH. THIS DRAWING IS THE PROPERTY OF THE BUREAU OF RESEARCH AND IS TO BE KEPT IN CONFIDENTIALITY. THE USER IS ADVISED THAT THIS DRAWING IS UNCLASSIFIED AND NOT BE RELEASED TO THE PUBLIC WITHOUT THE WRITTEN AUTHORIZATION OF THE BUREAU OF RESEARCH.



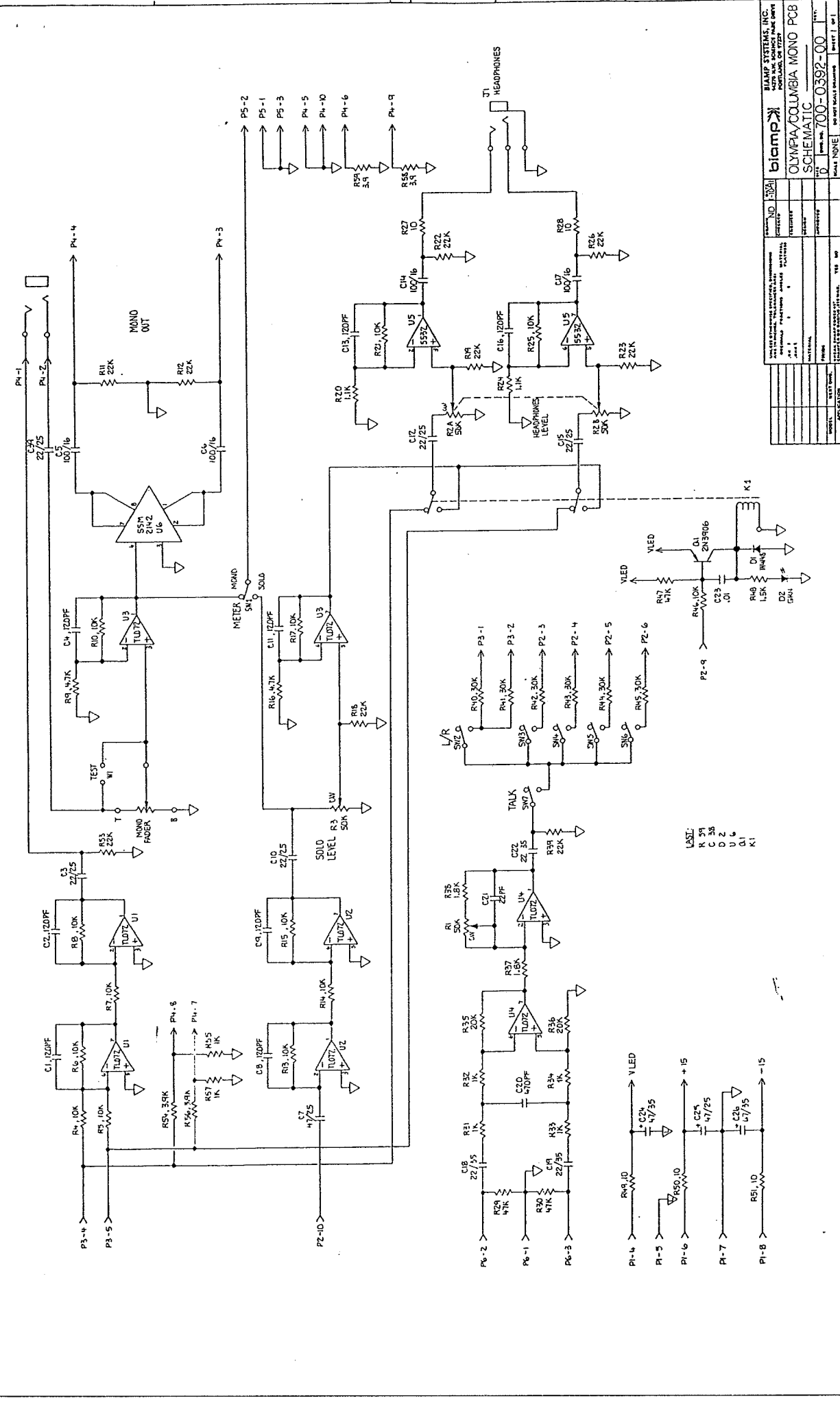
BIAMP SYSTEMS
 14270 N.W. Science Park Drive
 Portland, Oregon 97229
 (503) 641-7287

Sheet 1 of 4: Silkscreen

REV.	ESD.	CHANGE	DATE	BY

ITEM		PART NO.	DESCRIPTION	SIZE	QTY.
UNLESS OTHERWISE SPECIFIED, DIMENSIONS ARE IN INCHES, TOLERANCES IN DECIMALS	FRACIONS ANGLES	MATERIAL			
DRAWN: ND					
CHECKED: (signature)					
DESIGNED: (signature)					
APPROVED: (signature)					
FINISH: (specification)					
SCALE: 2/1					
PART NO. 701-0387-00					
DO NOT SCALE DRAWING					
SHEET 1 OF 4					

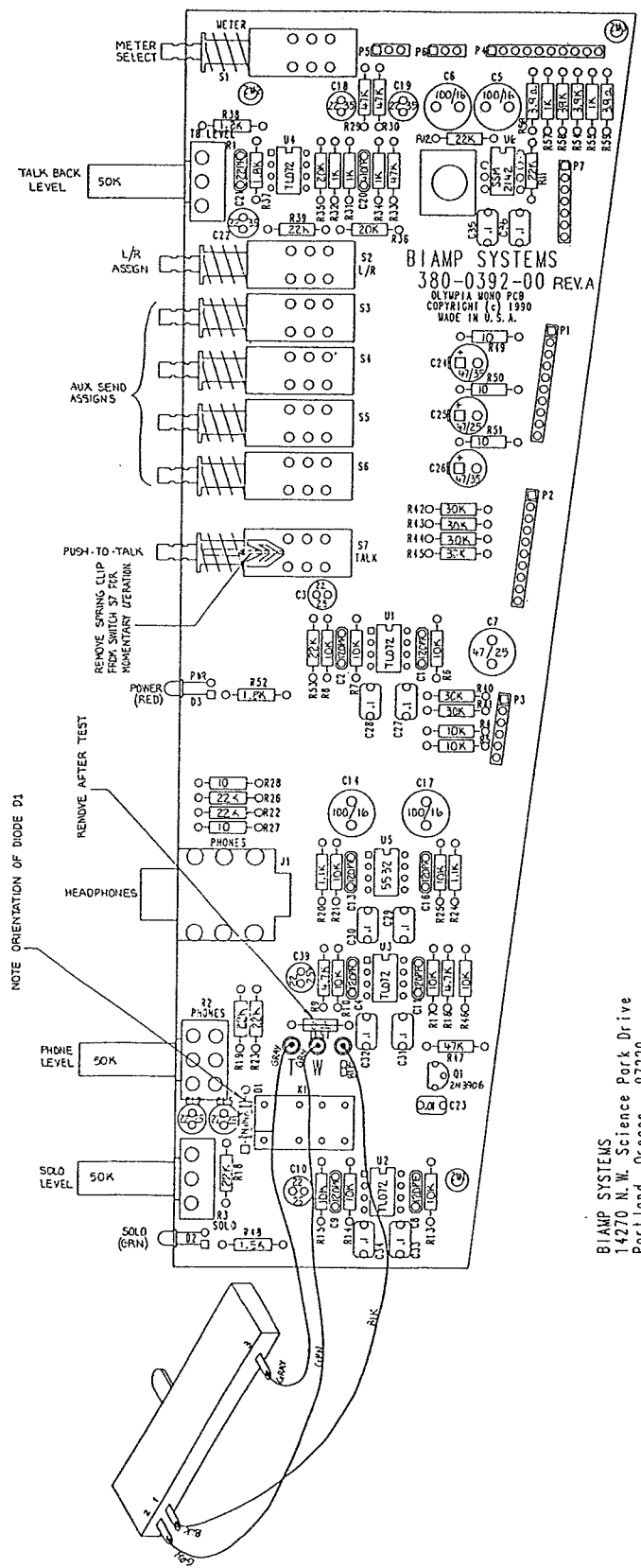
BIAMP SYSTEMS
 OLYMPIA/COLUMBIA SUB-L-R JACK PCB
 COMPONENT LAYOUT



LIST:
 A 24
 B 24
 C 24
 D 24
 E 24
 F 24
 G 24
 H 24

REV. NO.	1.00	DATE	11/80
DESIGNED BY	J. J. ...		
CHECKED BY	...		
APPROVED BY	...		
DATE	...		
PROJECT	OLYMPIA/COLUMBIA MONO PCB		
WORK CENTER	...		
WORK ORDER NO.	700-0392-00		
WORK CENTER	...		
DATE	...		
BY	...		
FOR	...		

A B C D E F G H
 1 2 3 4
 REV. A 03-91 380-0392-00 REV. A DATA 3-24-91 ND
 B.I.A.M.P. SYSTEMS, INC.

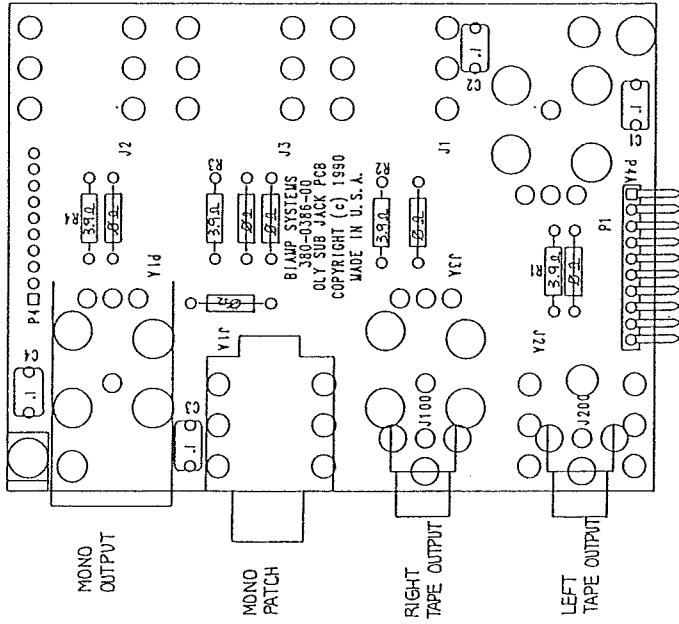


BIAMP SYSTEMS
 14270 N.W. Science Park Drive
 Portland, Oregon 97229
 (503) 641-7287

380-0392-00 REV. A
 OLYMPIA MONO PCB
 Sheet 1 of 5: Silkscreen

BIAMP SYSTEMS, INC.			
REV. A	DATE 03-91	DRAWN BY ND	380-0392-00 REV. A DATA 3-24-91 ND
DATE	REV.	BY	NO.
03-91	A	ND	380-0392-00
OLYMPIA/COLUMBIA MONO PCB COMPONENT LAYOUT			
MATERIAL			701-0392-00
DIESET			701-0392-00
PARTS LIST			701-0392-00
CROSS REFERENCE			701-0392-00
REVISIONS			701-0392-00
APPROVED			701-0392-00
DRAWN BY			701-0392-00
CHECKED BY			701-0392-00
DESIGNED BY			701-0392-00
DATE			701-0392-00
SCALE			701-0392-00
SHEET 1 OF 1			701-0392-00

THIS DRAWING IS THE PROPERTY OF BIAMP SYSTEMS, AND MUST BE RETURNED TO BIAMP SYSTEMS UPON COMPLETION OF THE PROJECT. IT MUST BE REPRODUCED AS A COPY TO THE ORIGINAL DRAWING. ANY REVISIONS MUST BE APPROVED BY BIAMP SYSTEMS. THE INFORMATION CONTAINED HEREIN IS UNCLASSIFIED EXCEPT WHERE SHOWN OTHERWISE.



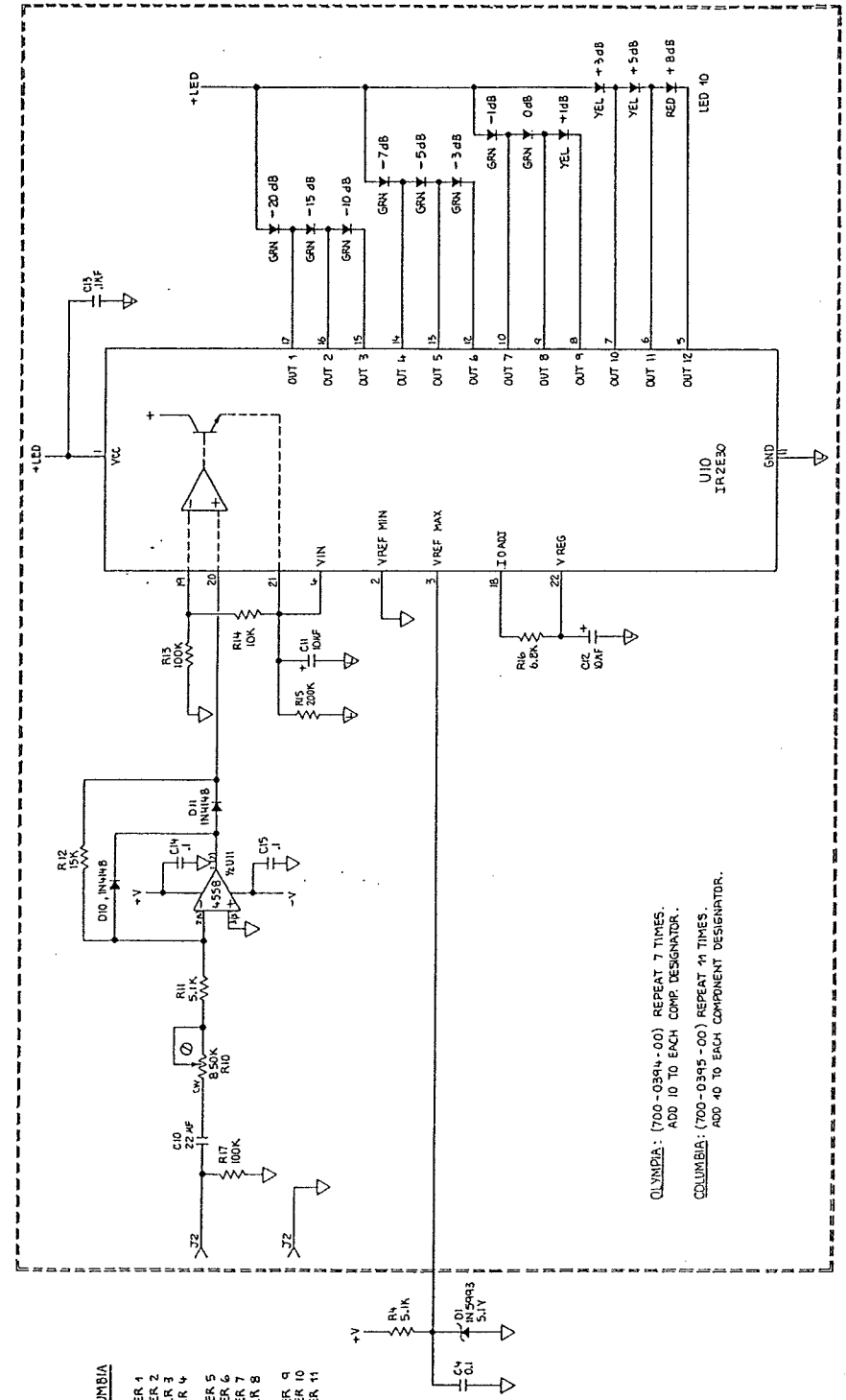
Sheet 1 of 4 : Silkscreen

BIAMP SYSTEMS
14270 N.W. Science Park Drive
Portland, Oregon 97229
(503) 641-7287

REV.	E.C.O.	CHANGE	DATE	BY

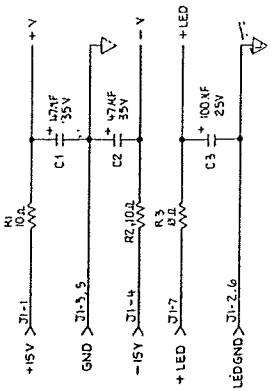
UNLESS OTHERWISE SPECIFIED DIMENSIONS ARE IN INCHES. TOLERANCES ARE:	ITEM	PART NO.	SCALE	DESCRIPTION	SIZE	QTY.
FRAC. 1/16" TO 1/8" 1/16"	1	ND	1/4"	BIAMP SYSTEMS		
DECIMALS 1/100" TO 1/1000" 1/100"	2			OLYMPIA/COLUMBIA MONO JACK PCB		
	3			COMPONENT LAYOUT		
	4					
	5					
	6					
	7					
	8					
	9					
	10					
	11					
	12					
	13					
	14					
	15					
	16					
	17					
	18					
	19					
	20					
	21					
	22					
	23					
	24					
	25					
	26					
	27					
	28					
	29					
	30					
	31					
	32					
	33					
	34					
	35					
	36					
	37					
	38					
	39					
	40					
	41					
	42					
	43					
	44					
	45					
	46					
	47					
	48					
	49					
	50					
	51					
	52					
	53					
	54					
	55					
	56					
	57					
	58					
	59					
	60					
	61					
	62					
	63					
	64					
	65					
	66					
	67					
	68					
	69					
	70					
	71					
	72					
	73					
	74					
	75					
	76					
	77					
	78					
	79					
	80					
	81					
	82					
	83					
	84					
	85					
	86					
	87					
	88					
	89					
	90					
	91					
	92					
	93					
	94					
	95					
	96					
	97					
	98					
	99					
	100					

REV	DATE	BY	CHKD	APP'D	DESCRIPTION
A	09-21-81				CHG R3 FROM 3.0K TO 5.0K
B	08-01-81				CHG LED INVERTERS



- OLYMPIA**
- J2-1 GND
 - J2-2 METER 1
 - J2-3 GND
 - J2-4 METER 2
 - J2-5 GND
 - J2-6 METER 3
 - J2-7 GND
 - J2-8 METER 4
 - J2-9 GND
 - J2-10 METER 5
 - J2-11 GND
 - J2-12 METER 6
 - J2-13 GND
 - J2-14 METER 7
- COLUMBIA**
- GND
 - METER 1
 - METER 2
 - METER 3
 - METER 4
 - METER 5
 - METER 6
 - METER 7
 - METER 8
 - METER 9
 - METER 10
 - METER 11

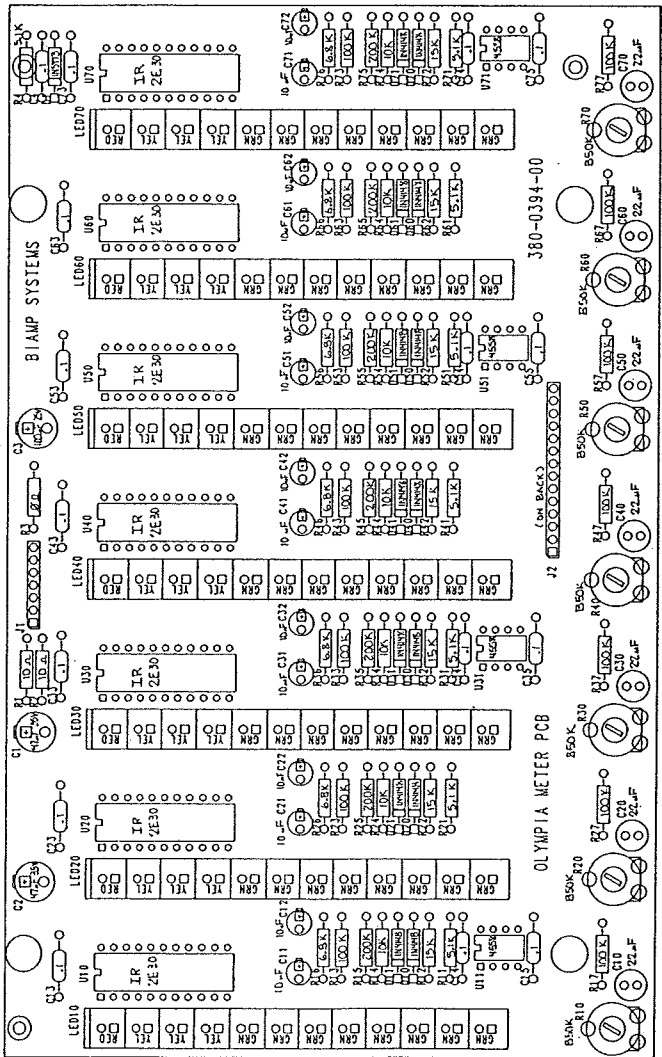
OLYMPIA: (700-0394-00) REPEAT 7 TIMES.
 ADD I0 TO EACH COMP. DESIGNATOR.
 COLUMBIA: (700-0395-00) REPEAT 11 TIMES.
 ADD 40 TO EACH COMPONENT DESIGNATOR.



biamp		BIAMP SYSTEMS, INC.	
		14701 W. CENTRAL PARK DRIVE	
		PORTLAND, OR 97227	
REV	DATE	BY	CHKD
D	08-01-81		
MODEL NAME		DO NOT SCALE DIMENSIONS	
PART #		SHEET 1 OF 1	

A B C D E F G H

REV.	DATE	DESCRIPTION	BY
A	05-91	CHG R3 FROM 3.0K TO 3.3K	2-7-91 AND
B	09-91	CHG LED DRIVERS	6-3-91 AND



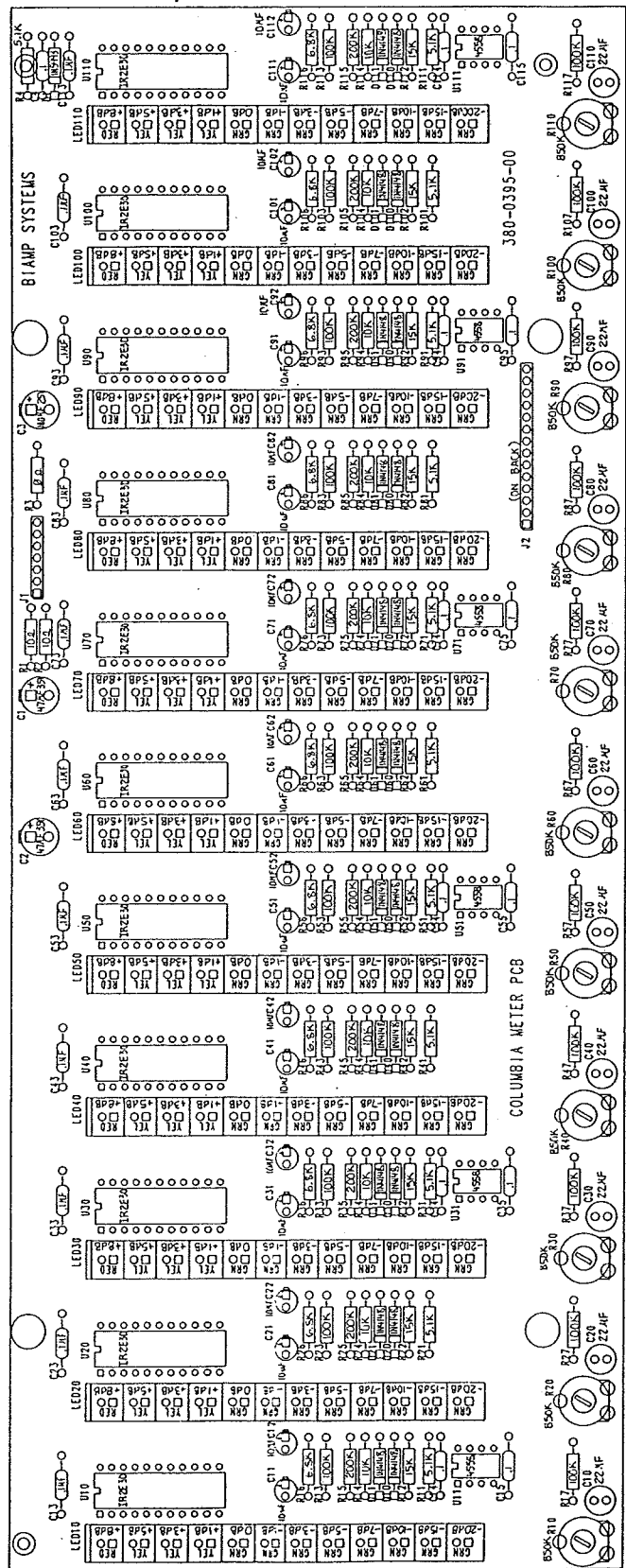
BIAMP SYSTEMS
14270 N.W. Science Park Drive
Portland, Oregon 97229
(503) 641-7287

380-0394-00
OLYMPIA METER PCB
Sheet 1 of 5: Silkscreen

COMPONENT	VALUE	DESCRIPTION
RESISTOR	3.0K	R3
RESISTOR	3.3K	R3
RESISTOR	100K	R1, R2, R4, R5, R6, R7, R8, R9, R10
CAPACITOR	10µF	C1, C2, C3, C4, C5, C6, C7, C8, C9, C10
CAPACITOR	22µF	C11, C12, C13, C14, C15, C16, C17, C18, C19, C20
IC	IR	IR LED
IC	2E.30	LED DRIVER
IC	380-0394-00	OLYMPIA METER PCB
IC	BIAMP SYSTEMS	BIAMP SYSTEMS
IC	U70-U75	BIAMP SYSTEMS

3800394.job - Wed Dec 12 05:30:27 1990

REV.	DATE	DESCRIPTION	BY	CHKD BY
A	08-21	CHG R3 FROM 3.3K TO 2.2K		
B	08-21	CHG LED DRIVERS		



BIAMP SYSTEMS
 14270 N.W. Science Park Drive
 Portland, Oregon 97229
 (503) 641-7287

380-0395-00
 COLUMBIA METER PCB
 Sheet 1 of 5: Silkscreen

DATE	11-15-91
DESIGNED BY	CEC/REP
CHECKED BY	CEC/REP
DATE	11-15-91
DESIGNED BY	CEC/REP
CHECKED BY	CEC/REP
DATE	11-15-91
DESIGNED BY	CEC/REP
CHECKED BY	CEC/REP

BIAMP SYSTEMS, INC.	
14270 N.W. Science Park Drive	
Portland, Oregon 97229	
(503) 641-7287	
FAX: (503) 641-7288	
E-MAIL: SALES@BIAMP.COM	
WWW: WWW.BIAMP.COM	
BIAMP SYSTEMS, INC.	
14270 N.W. Science Park Drive	
Portland, Oregon 97229	
(503) 641-7287	
FAX: (503) 641-7288	
E-MAIL: SALES@BIAMP.COM	
WWW: WWW.BIAMP.COM	

DATE	11-15-91
DESIGNED BY	CEC/REP
CHECKED BY	CEC/REP
DATE	11-15-91
DESIGNED BY	CEC/REP
CHECKED BY	CEC/REP
DATE	11-15-91
DESIGNED BY	CEC/REP
CHECKED BY	CEC/REP

DATE	11-15-91
DESIGNED BY	CEC/REP
CHECKED BY	CEC/REP
DATE	11-15-91
DESIGNED BY	CEC/REP
CHECKED BY	CEC/REP
DATE	11-15-91
DESIGNED BY	CEC/REP
CHECKED BY	CEC/REP

3800395.job - Wed Dec 26 17:45:22 1990

A B C D E F G H

OLYMPIA BLOCK DIAGRAM

