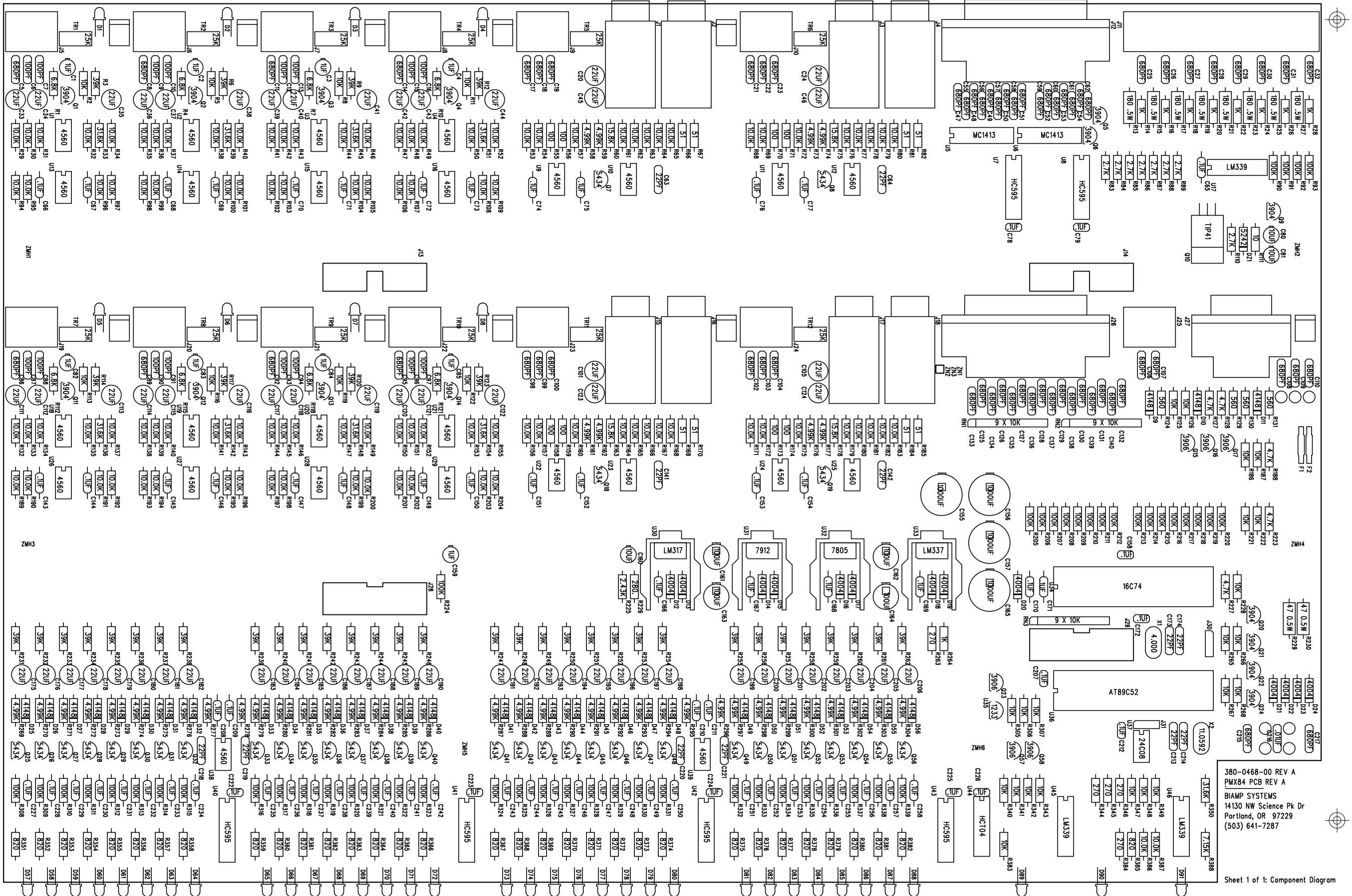


**PMX84**  
**Programmable**  
**Matrix Switcher**  
**Schematic**

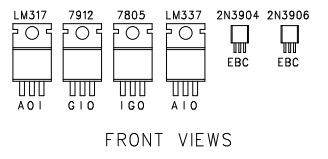
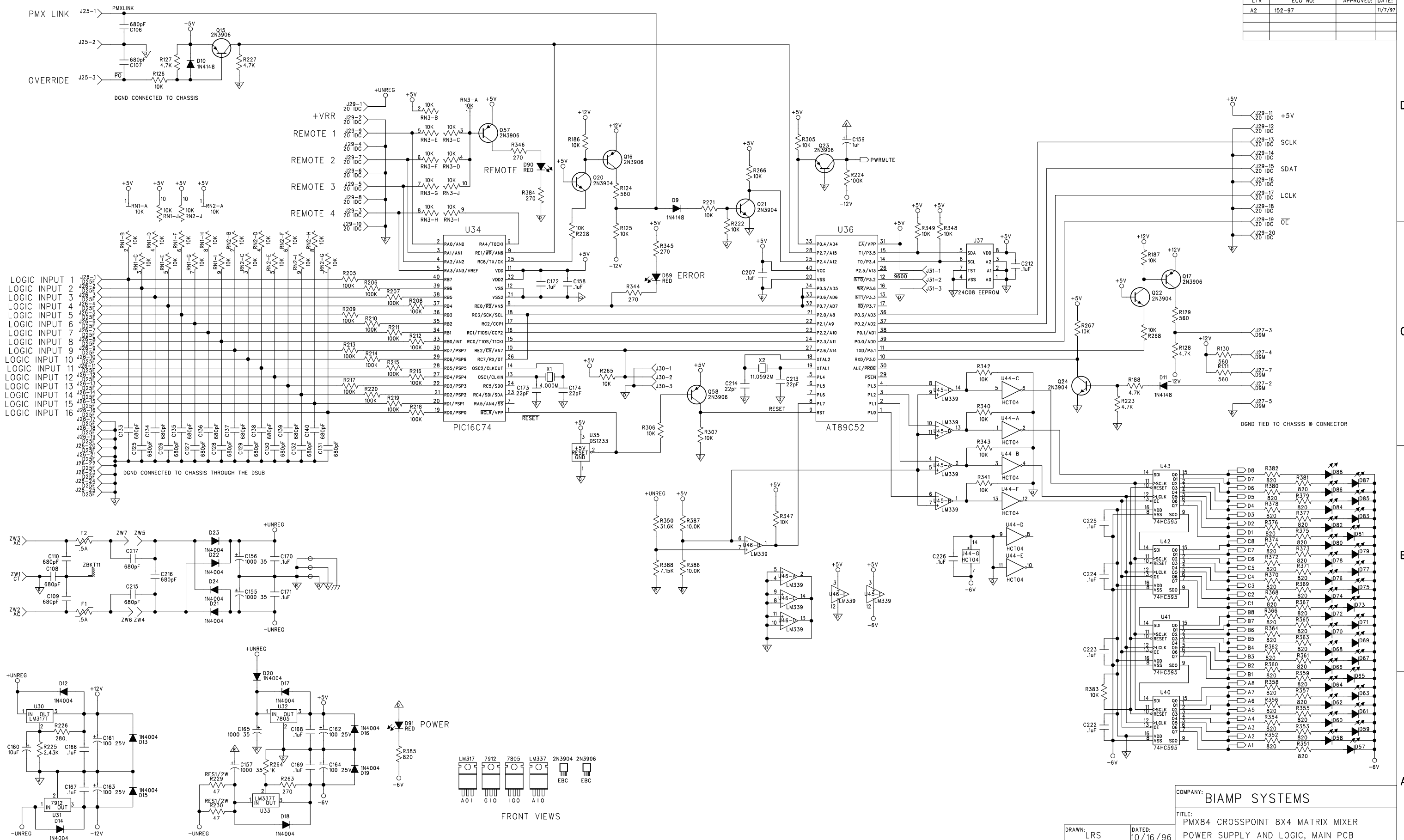
Released June 25,



380-0468-00 REV A  
 PMX84 PCB REV A  
 BIAMP SYSTEMS  
 14130 NW Science Pk Dr  
 Portland, OR 97229  
 (503) 641-7287

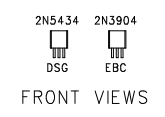
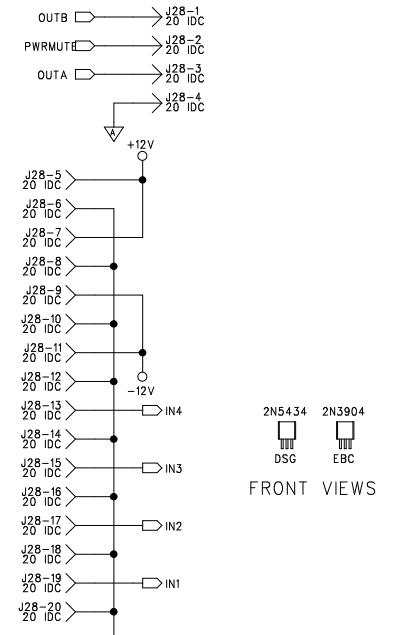
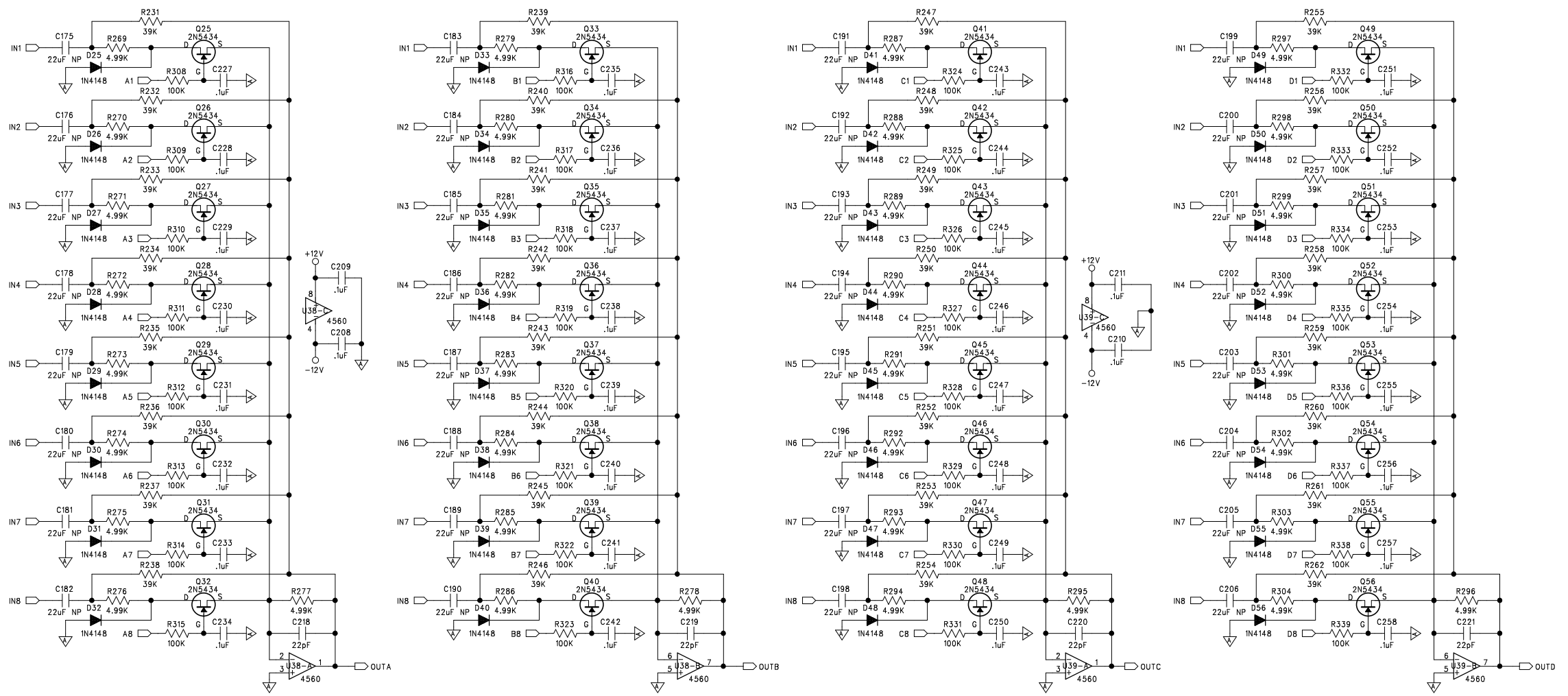
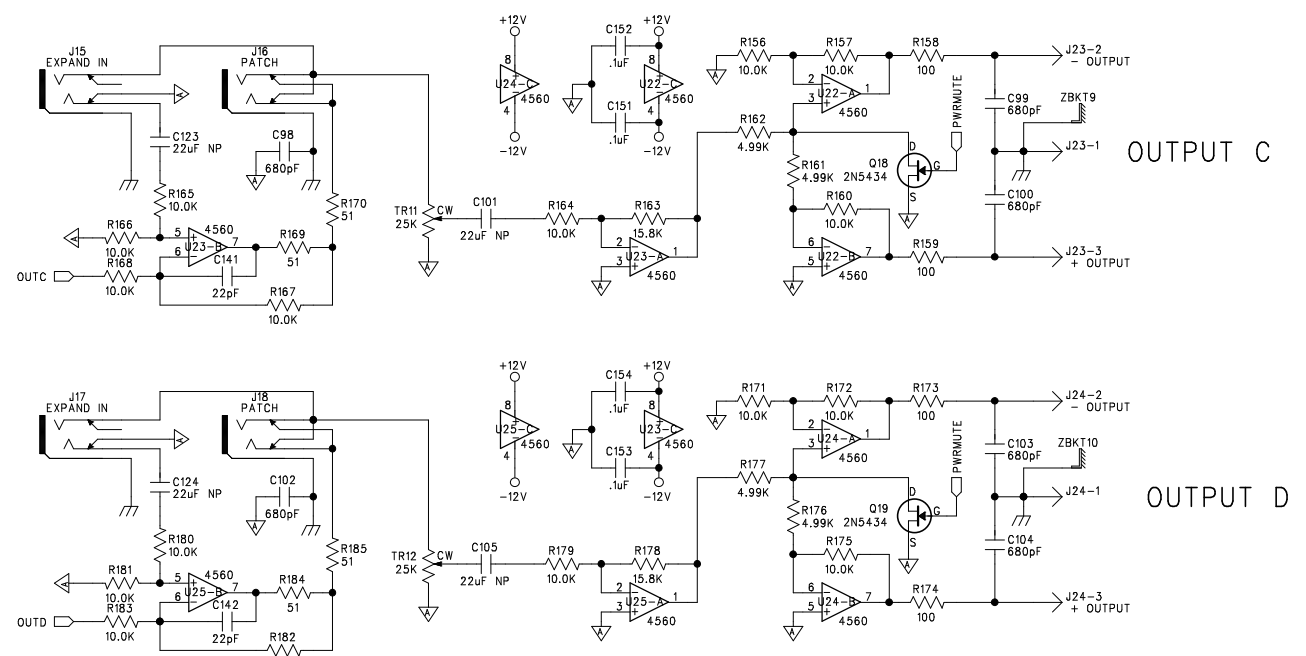
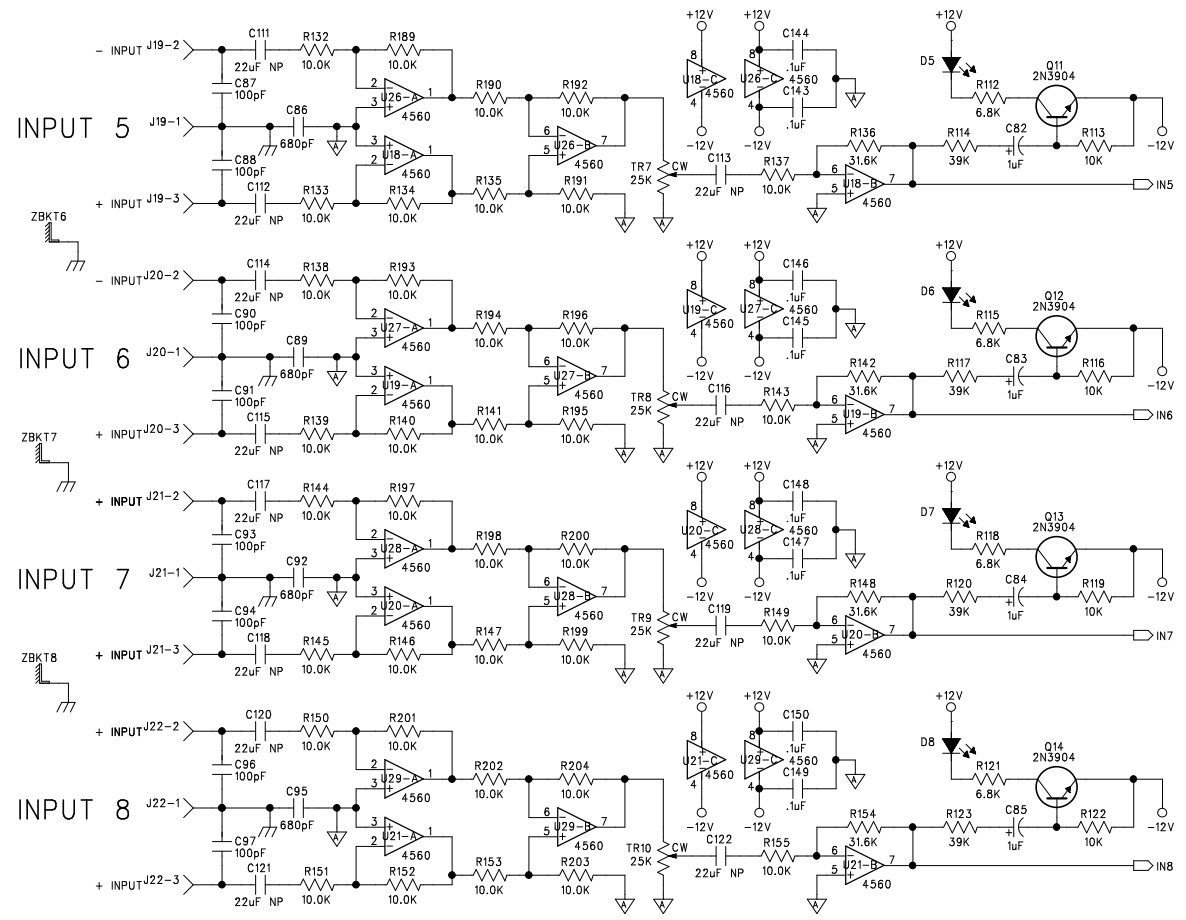
REVISION RECORD			
LTR	ECO NO:	APPROVED:	DATE:
A2	152-97		11/7/97

6 5 4 3 2 1



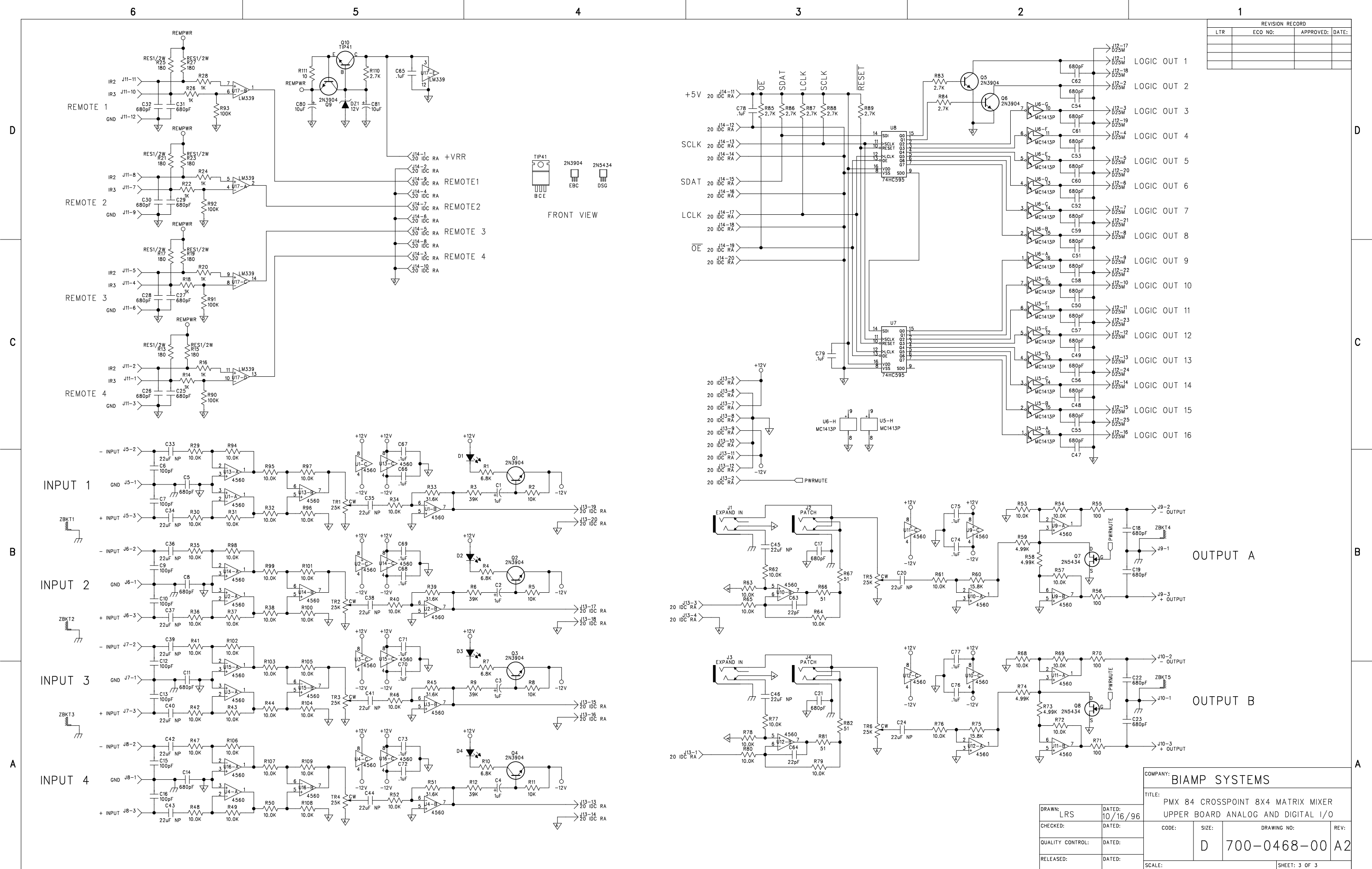
COMPANY: BIAMP SYSTEMS				
TITLE: PMX84 CROSSPOINT 8X4 MATRIX MIXER POWER SUPPLY AND LOGIC, MAIN PCB				
DRAWN: LRS	DATED: 10/16/96	CODE:	SIZE:	DRAWING NO: D 700-0468-00 A2
CHECKED:	DATED:			REV:
QUALITY CONTROL:	DATED:			
RELEASED:	DATED:			
SCALE:				SHEET: 1 OF 3

REVISION RECORD			
LTR	ECO NO:	APPROVED:	DATE:



COMPANY: BIAMP SYSTEMS			
TITLE: PMX84 CROSSPOINT 8X4 MATRIX MIXER LOWER BOARD ANALOG I/O AND MATRIX			
DRAWN: LRS	DATED: 10/16/96	CODE:	REV: A2
CHECKED:	DATED:	SIZE: D	DRAWING NO: 700-0468-00
QUALITY CONTROL:	DATED:	SHEET: 2 OF 3	
RELEASED:	DATED:	SCALE:	

REVISION RECORD			
LTR	ECO NO:	APPROVED:	DATE:



OUTPUT A

OUTPUT B

COMPANY: BIAMP SYSTEMS				
TITLE: PMX 84 CROSSPOINT 8X4 MATRIX MIXER UPPER BOARD ANALOG AND DIGITAL I/O				
DRAWN: LRS	DATED: 10/16/96	CODE:	SIZE:	DRAWING NO: D 700-0468-00
CHECKED:	DATED:	REV:	A2	
QUALITY CONTROL:	DATED:	SCALE:	SHEET: 3 OF 3	
RELEASED:	DATED:			