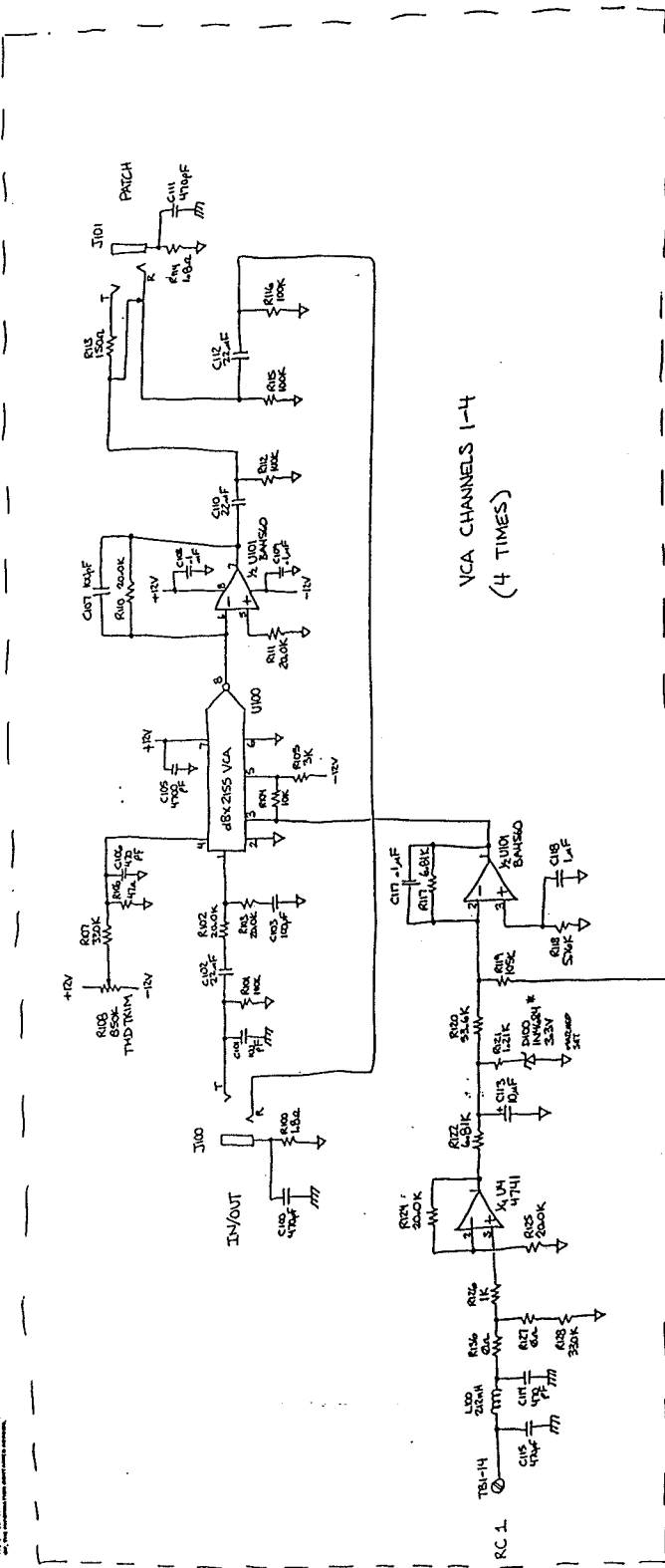


RCII

Schematic

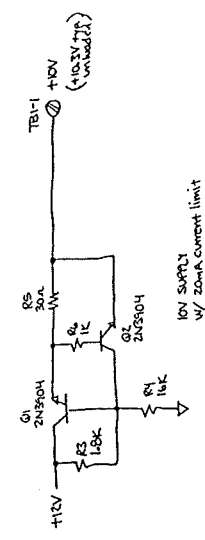
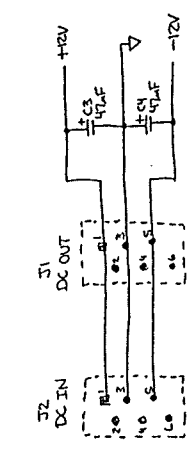
B I A M P[®]

S Y S T E M S



VCA CHANNELS 1-4
(4 TIMES)

NOTES: 1. THIS SCHEMATIC IS FOR THE STANDARD EQUIPMENT. 2. THE PARTS LISTED ARE THE STANDARD PARTS. 3. THE PARTS LISTED ARE THE STANDARD PARTS. 4. THE PARTS LISTED ARE THE STANDARD PARTS.

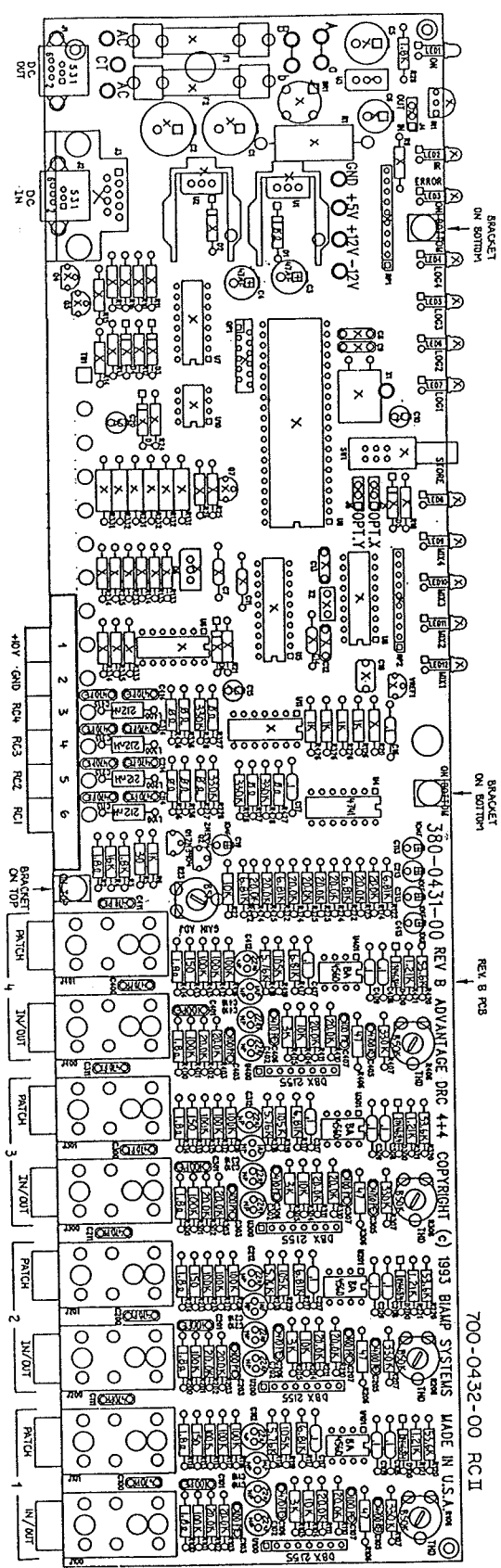


- RC2 @ TB1-5
- RC3 @ TB1-4
- RC4 @ TB1-3
- GW @ TB1-2

100K ADJUST
RC1 @ TB1-1
RC2 @ TB1-2
RC3 @ TB1-3
RC4 @ TB1-4
GND @ TB1-5

| | |
|--------------------------------------------------------|--------------|
| blamp SYSTEMS, INC. | |
| 2000 BAYVIEW DRIVE, SUITE 100, FORT WORTH, TEXAS 76104 | |
| PHONE: (817) 482-1111 FAX: (817) 482-1112 | |
| DATE | 2/10/84 |
| BY | J. P. WILSON |
| CHKD BY | T. J. WILSON |
| APPV | J. P. WILSON |
| CHECKED BY | T. J. WILSON |
| DATE | 2/10/84 |
| BY | J. P. WILSON |
| CHKD BY | T. J. WILSON |
| APPV | J. P. WILSON |
| CHECKED BY | T. J. WILSON |
| DATE | 2/10/84 |
| BY | J. P. WILSON |
| CHKD BY | T. J. WILSON |
| APPV | J. P. WILSON |

THIS DRAWING IS THE PROPERTY OF BIAMP SYSTEMS, INC. IT IS TO BE USED ONLY FOR THE PROJECT AND SITE SPECIFICALLY IDENTIFIED HEREON. IT IS NOT TO BE REPRODUCED, COPIED, OR TRANSMITTED IN ANY FORM OR BY ANY MEANS, ELECTRONIC OR MECHANICAL, INCLUDING PHOTOCOPYING, RECORDING, OR BY ANY INFORMATION STORAGE AND RETRIEVAL SYSTEM, WITHOUT THE WRITTEN PERMISSION OF BIAMP SYSTEMS, INC.



NOTE:
X = NOT INSTALLED

BIAMP SYSTEMS
14270 N.W. Science Park Drive
Portland, Oregon 97229
(503) 641-7287

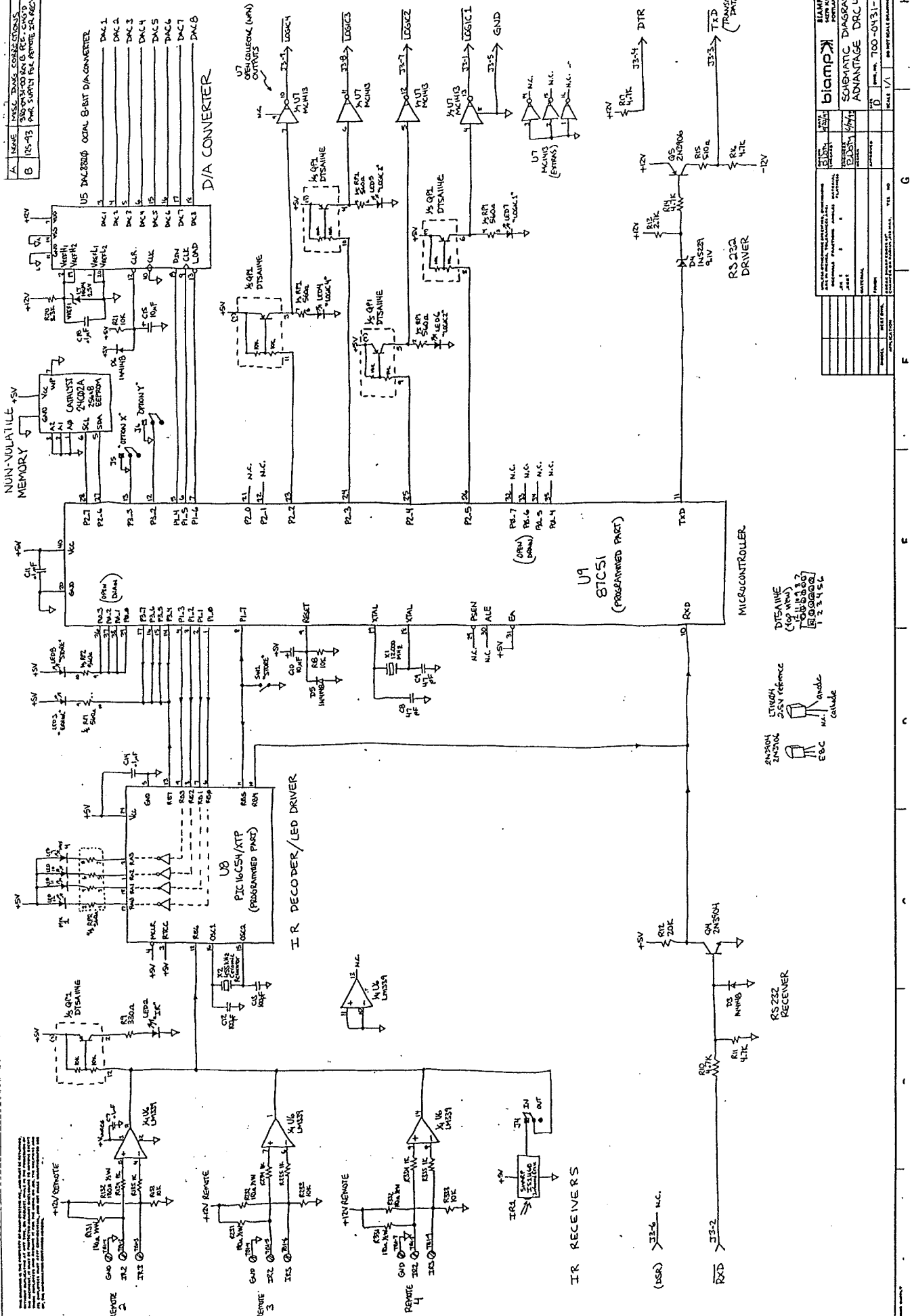
380-0431-00 REV B
ADVANTAGE
Sheet 1 of 5: Schematic
RC II Version

| | | | | |
|---------------------------------------------------------------------------------------------------------------------------------|--|----------------|----------------|----------|
| BIAMP SYSTEMS, INC. 4000 SW 10TH AVENUE, SUITE 100 PORTLAND, OREGON 97205 PHONE: (503) 641-7287 FAX: (503) 641-7288 | | DATE: 01/15/93 | BY: JLD | CHK: JLD |
| PROJECT: 380-0431-00 REV B ADVANTAGE | | REV: 0 | DATE: 01/15/93 | BY: JLD |
| DRAWING NO: 380-0431-00 REV B ADVANTAGE RC II | | DATE: 01/15/93 | BY: JLD | CHK: JLD |
| SHEET NO: 1 OF 5 | | DATE: 01/15/93 | BY: JLD | CHK: JLD |

| | | | | | |
|---|--------|---|--------|---|------|
| A | ISSUE | 1 | 125-93 | 1 | 100% |
| B | 125-93 | 1 | 100% | 1 | 100% |

| | | | | | | | | |
|-----------------------------------------|-------|------|------|------|------|------|------|------|
| US INCREMENTAL SERIAL BIT-DIA CONVERTER | DAC1 | DAC2 | DAC3 | DAC4 | DAC5 | DAC6 | DAC7 | DAC8 |
| NON-VOLATILE MEMORY | P2.7 | P2.6 | P2.5 | P2.4 | P1.5 | P1.6 | P1.7 | P1.8 |
| IR DECODER/LED DRIVER | U8 | U7 | U6 | U5 | U4 | U3 | U2 | U1 |
| IR RECEIVERS | IR1 | IR2 | IR3 | IR4 | IR5 | IR6 | IR7 | IR8 |
| RS232 DRIVER | RS232 | TXD | RXD | DTR | TXD | | | |
| RS232 RECEIVER | RS232 | | | | | | | |

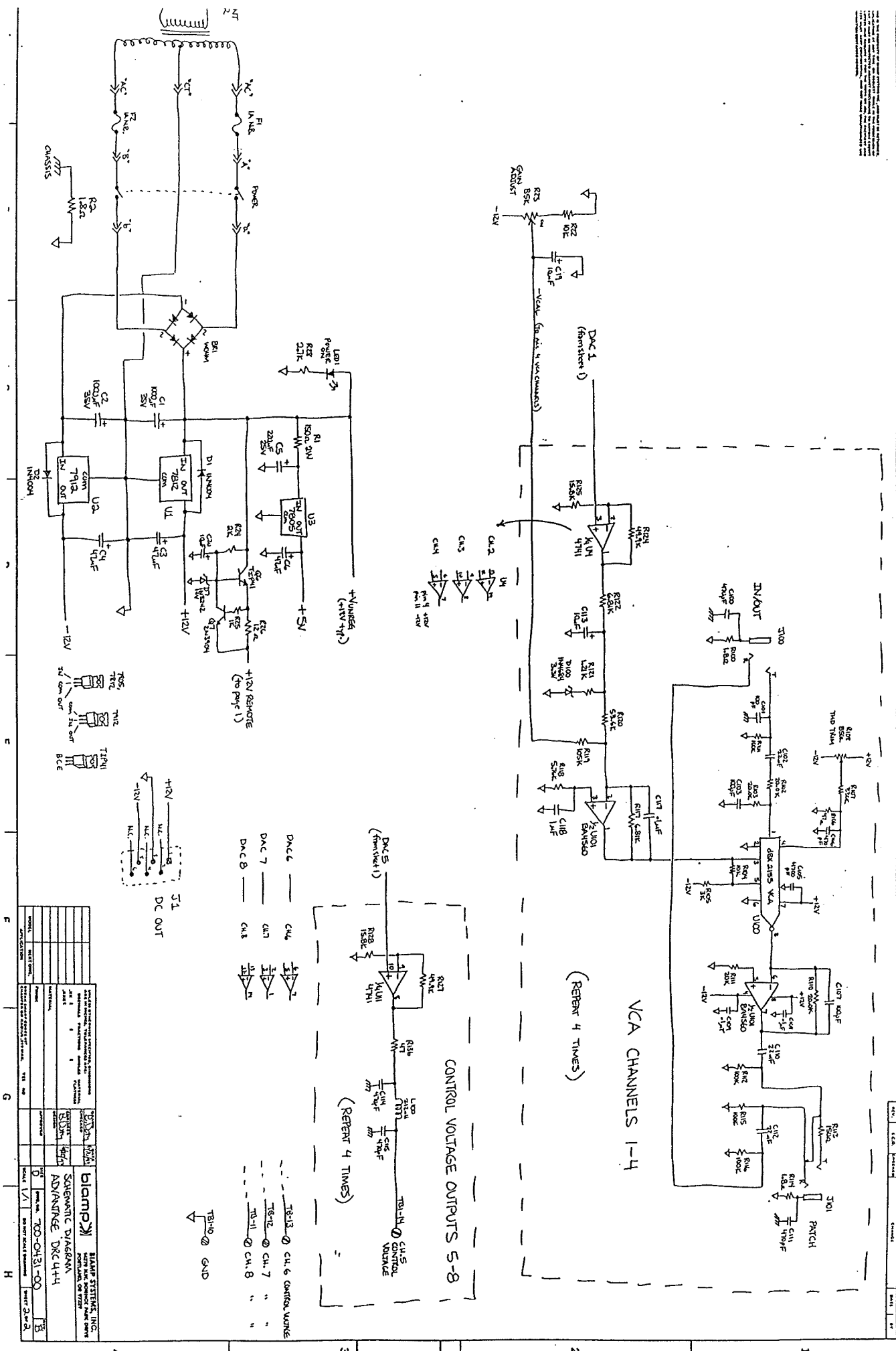
(TO SHEET 2)



| | | | | |
|------------------|--|-------------|------|----|
| blamp | | REVISION | DATE | BY |
| SCHMATIC DIAGRAM | | 1/1 | 1/1 | |
| ADVANTAGE | | 1/1 | 1/1 | |
| PROJECT NO. | | 700-0431-00 | | |
| SHEET NO. | | 1 | OF 2 | |

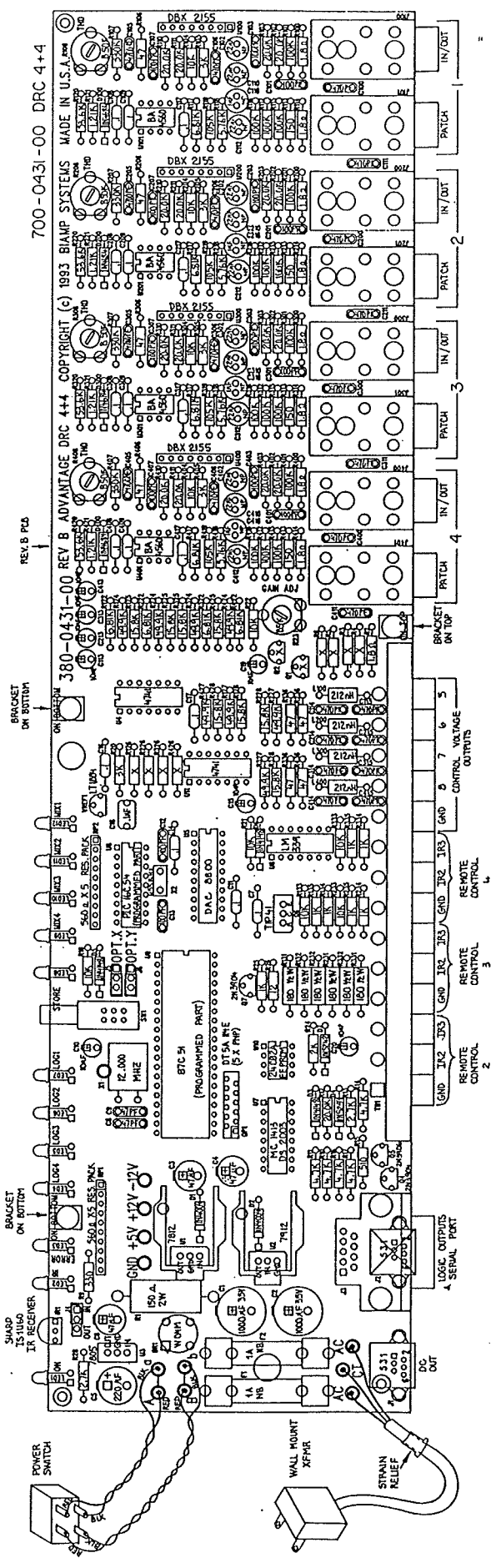
| | | | | | | | | | |
|-----------------------------------------|--|-------|------|------|------|------|------|------|------|
| US INCREMENTAL SERIAL BIT-DIA CONVERTER | | DAC1 | DAC2 | DAC3 | DAC4 | DAC5 | DAC6 | DAC7 | DAC8 |
| NON-VOLATILE MEMORY | | P2.7 | P2.6 | P2.5 | P2.4 | P1.5 | P1.6 | P1.7 | P1.8 |
| IR DECODER/LED DRIVER | | U8 | U7 | U6 | U5 | U4 | U3 | U2 | U1 |
| IR RECEIVERS | | IR1 | IR2 | IR3 | IR4 | IR5 | IR6 | IR7 | IR8 |
| RS232 DRIVER | | RS232 | TXD | RXD | DTR | TXD | | | |
| RS232 RECEIVER | | RS232 | | | | | | | |

THIS DRAWING IS THE PROPERTY OF BLOMPAC, INC. IT IS TO BE USED ONLY FOR THE PROJECT AND QUANTITY SPECIFIED IN THE ORDER. IT IS NOT TO BE REPRODUCED OR TRANSMITTED IN ANY FORM OR BY ANY MEANS, ELECTRONIC OR MECHANICAL, INCLUDING PHOTOCOPYING, RECORDING, OR BY ANY INFORMATION STORAGE AND RETRIEVAL SYSTEM. WITHOUT THE WRITTEN PERMISSION OF BLOMPAC, INC.



| REV. | DATE | DESCRIPTION | BY | CHKD |
|------|----------|------------------------|----|------|
| 1 | 10-13-77 | ISSUED FOR PRODUCTION | WJ | WJ |
| 2 | 11-13-77 | REVISED FOR PRODUCTION | WJ | WJ |
| 3 | 12-13-77 | REVISED FOR PRODUCTION | WJ | WJ |
| 4 | 01-13-78 | REVISED FOR PRODUCTION | WJ | WJ |
| 5 | 02-13-78 | REVISED FOR PRODUCTION | WJ | WJ |
| 6 | 03-13-78 | REVISED FOR PRODUCTION | WJ | WJ |
| 7 | 04-13-78 | REVISED FOR PRODUCTION | WJ | WJ |
| 8 | 05-13-78 | REVISED FOR PRODUCTION | WJ | WJ |
| 9 | 06-13-78 | REVISED FOR PRODUCTION | WJ | WJ |
| 10 | 07-13-78 | REVISED FOR PRODUCTION | WJ | WJ |
| 11 | 08-13-78 | REVISED FOR PRODUCTION | WJ | WJ |
| 12 | 09-13-78 | REVISED FOR PRODUCTION | WJ | WJ |
| 13 | 10-13-78 | REVISED FOR PRODUCTION | WJ | WJ |
| 14 | 11-13-78 | REVISED FOR PRODUCTION | WJ | WJ |
| 15 | 12-13-78 | REVISED FOR PRODUCTION | WJ | WJ |
| 16 | 01-13-79 | REVISED FOR PRODUCTION | WJ | WJ |
| 17 | 02-13-79 | REVISED FOR PRODUCTION | WJ | WJ |
| 18 | 03-13-79 | REVISED FOR PRODUCTION | WJ | WJ |
| 19 | 04-13-79 | REVISED FOR PRODUCTION | WJ | WJ |
| 20 | 05-13-79 | REVISED FOR PRODUCTION | WJ | WJ |

blompac, inc. BLOMPAC, INC. 1000 W. 10TH AVENUE, SUITE 100 DENVER, CO 80202



700-0431-00 DRC 4+4

380-0431-00 REV B ADVANTAGE DRC 4+4 COPYRIGHT (c) 1993 BIAMP SYSTEMS MADE IN U.S.A.

BIAMP SYSTEMS
14270 N.W. Science Park Drive
Portland, Oregon 97229
(503) 641-7287

NOTE:
X = NOT INSTALLED

| | | | |
|-----------------------------------------------------|-----|-------------------|-----|
| BIAMP SYSTEMS, INC. | | blamp | |
| 14270 N.W. Science Park Drive Portland, OR 97229 | | COMPONENT LAYOUT | |
| ADVANTAGE DRC 4+4 | | ADVANTAGE DRC 4+4 | |
| DATE | REV | BY | CHK |
| 12-11-11 | B | ... | ... |
| SHEET 1 OF 1 | | 700-0431-00 | |

