

RPM 300 & RPM 360

# Schematic

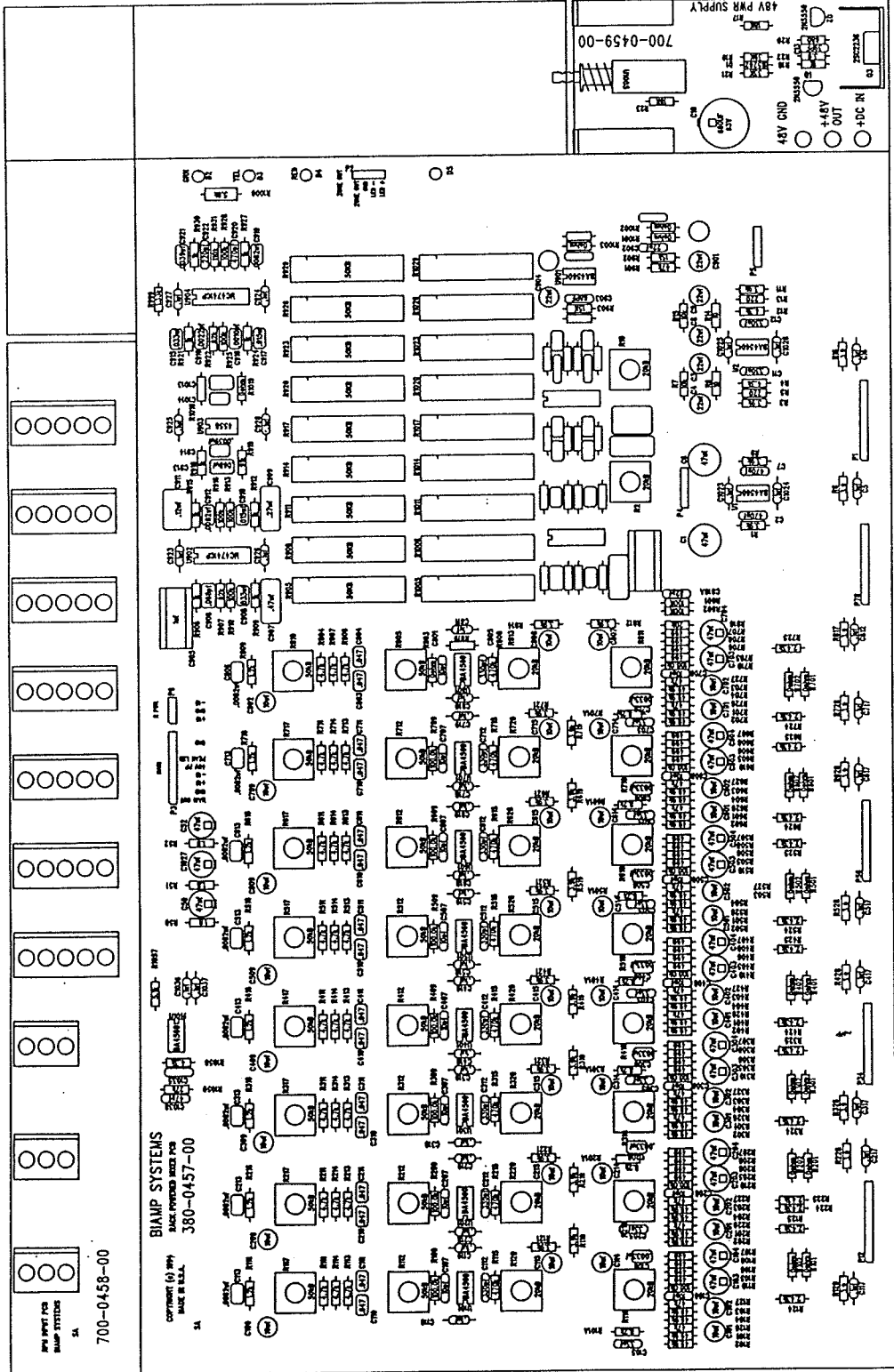
**B I A M P<sup>®</sup>**

---

S Y S T E M S



REV.	NO.	DATE	CHANGE
A	001	12/15/78	INITIAL RELEASE
B	002	12/15/78	REV. A FOR DATA
C	003	12/15/78	FORM. DATA VALUE ON COMP. LAYOUT ONLY. CHG. 117
D	004	12/15/78	CHANGED DATA VALUE ON COMP. LAYOUT ONLY



BAMP SYSTEMS  
 14130 N.W. Science Park Drive  
 Portland, Oregon 97229  
 (503) 644-7287

380-0457-00

701-0458-00  
 701-0459-00

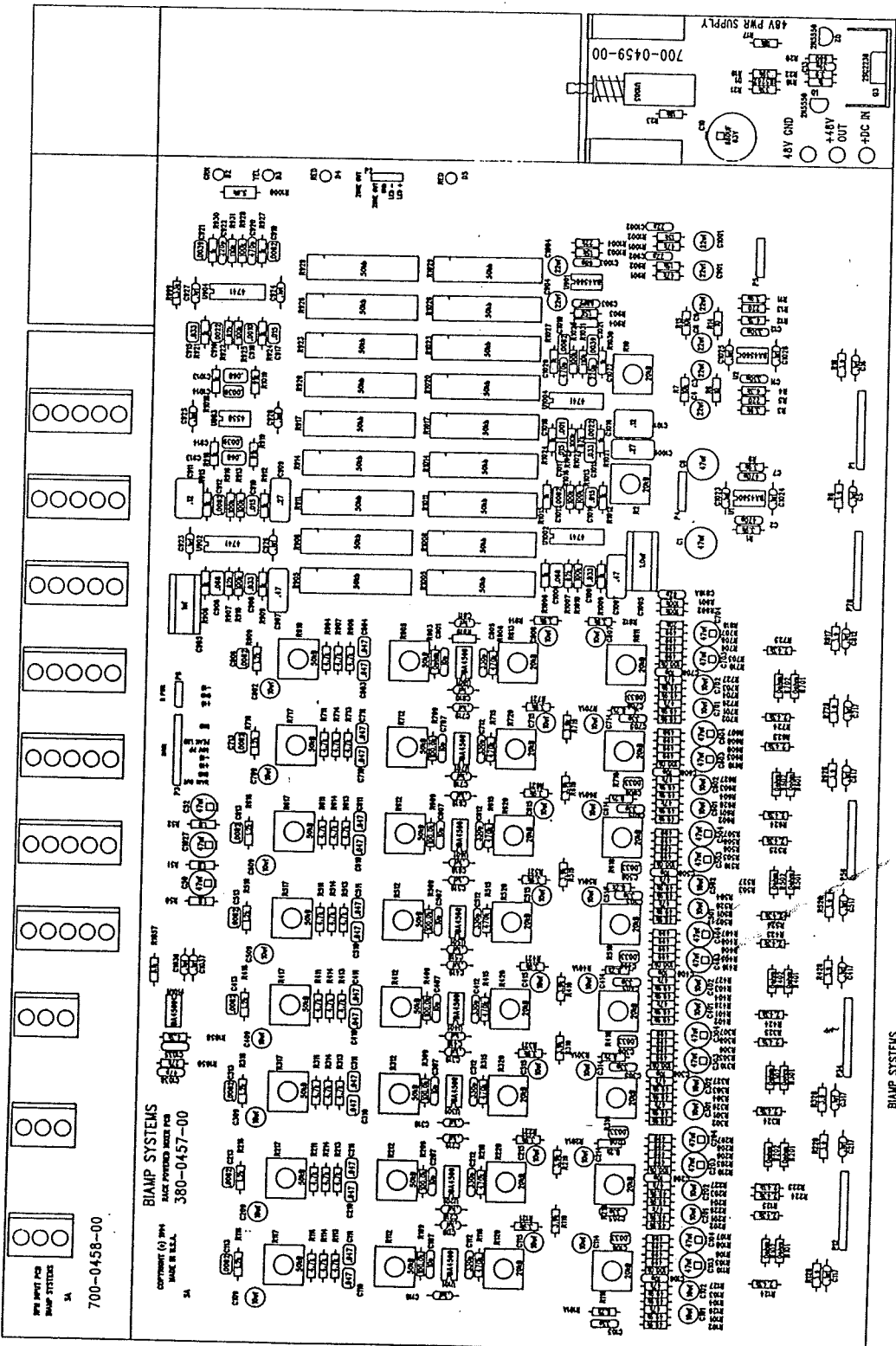
DESIGNED BY: SCOTT JACKSON  
 DRAWN BY: SCOTT JACKSON  
 APPROVED BY: SCOTT JACKSON

RPM 300  
 COMPONENT LAYOUT

DATE/PAGE NO	701-0457-00	REV. C
SCALE	1:1	
DATE	August 5, 1988	



REV.	DATE	CHANGE	CHK.
1	8/18/78	INITIAL RELEASE	
2	8/18/78	RELA. FOR DATA	
3	8/20/78	CHANGED LOG. AND LOG. WARE. SYMBOLS	
4	8/20/78		

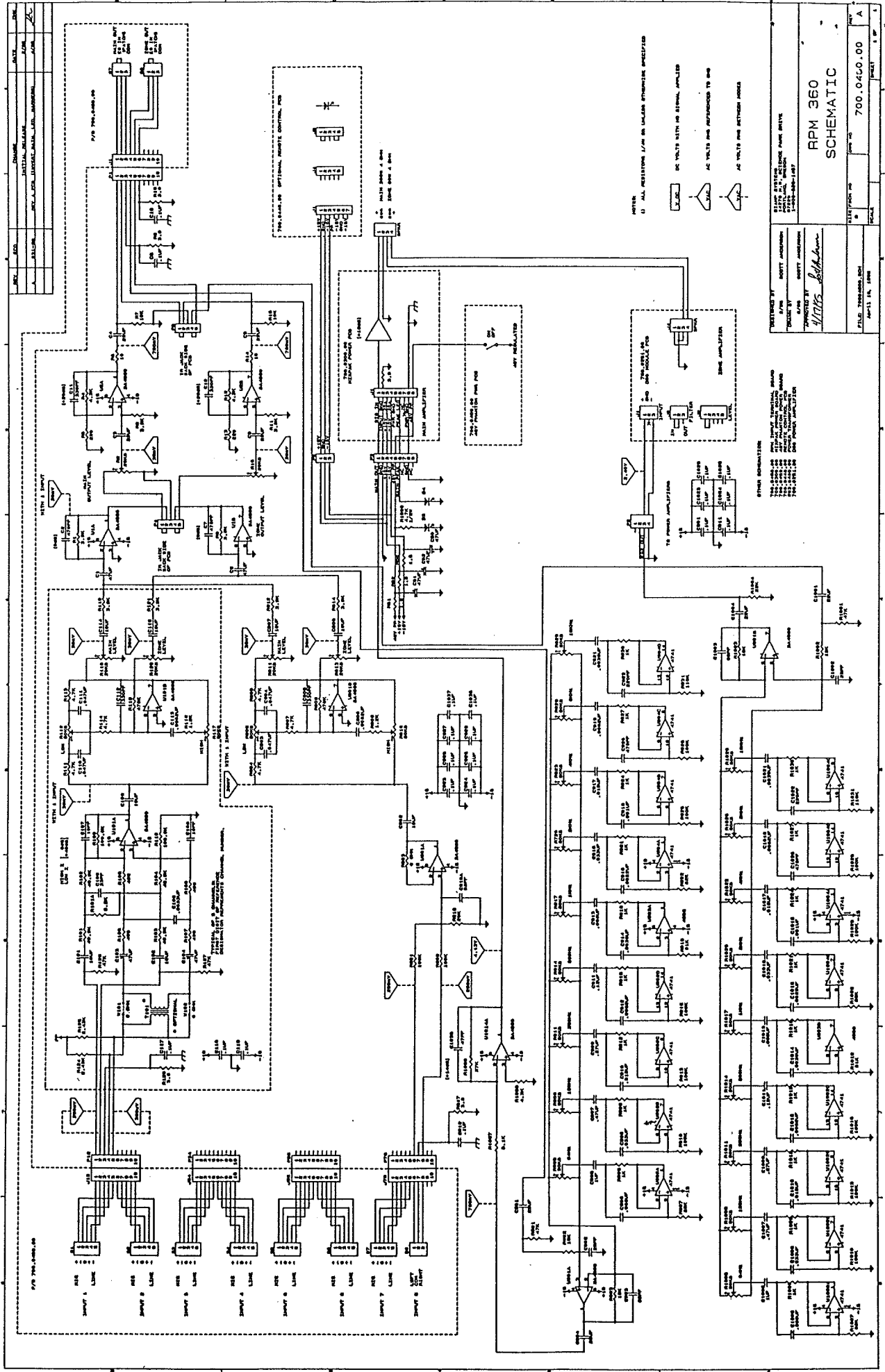


BIAMP SYSTEMS  
14130 N.W. Science Park Drive  
Portland, Oregon 97229  
(503) 641-7287

380-0457-00

DESIGNED BY	SCOTT JACKSON
DRAWN BY	ALPHA
APPROVED BY	SCOTT JACKSON
DATE	8/18/78
SCALE	AS SHOWN
PROJECT NO.	701-0460-00
SHEET NO.	B

RPM 360  
COMPONENT LAYOUT



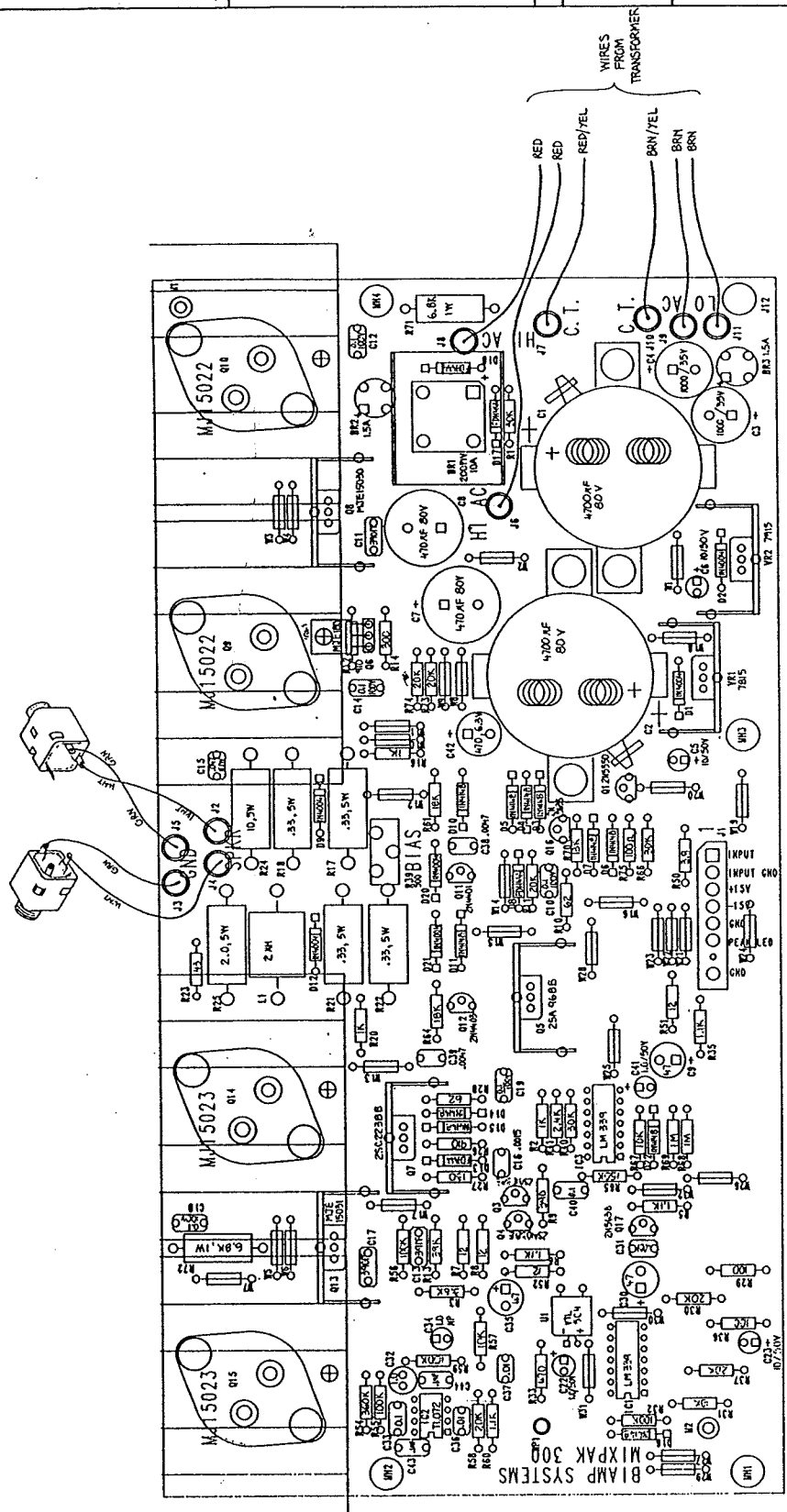
NOTES:  
 1) ALL RESISTORS 1/4W UNLESS OTHERWISE SPECIFIED  
 2) DC VOLTS WITH NO SIGNAL APPLIED  
 3) AC VOLTS RMS REFERENCED TO GND  
 4) AC VOLTS RMS BETWEEN POINTS

OTHER IDENTIFIERS:  
 1) ALL PARTS LISTED IN THIS SCHEMATIC ARE STANDARD COMMERCIAL PARTS UNLESS OTHERWISE SPECIFIED.  
 2) ALL PARTS LISTED IN THIS SCHEMATIC ARE STANDARD COMMERCIAL PARTS UNLESS OTHERWISE SPECIFIED.  
 3) ALL PARTS LISTED IN THIS SCHEMATIC ARE STANDARD COMMERCIAL PARTS UNLESS OTHERWISE SPECIFIED.

DESIGNED BY: [Name]  
 CHECKED BY: [Name]  
 DRAWN BY: [Name]  
 DATE: APR 11, 1966  
 PROJECT: RPM 360 SCHEMATIC  
 DRAWING NO: 700.0460.00  
 SHEET: 1 OF 1



REV. NO.	DATE	BY
A	09-90	SWAPPED PM - JTB
H2501 NO.		



BIAMP SYSTEMS  
MIXPAX 300 REAR POWER PCB  
380-0300-00

BIAMP SYSTEMS  
14270 N.W. SCIENCE PARK DRIVE  
PORTLAND, OREGON U.S.A.  
(503) 641-7287

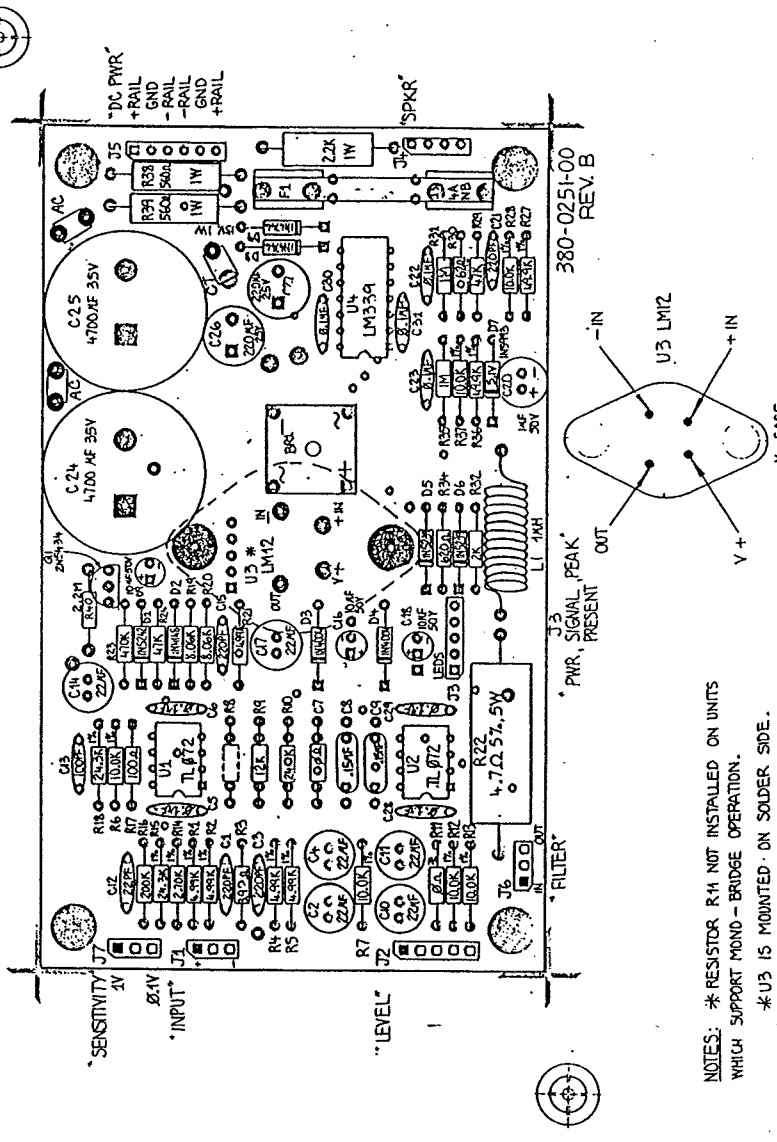
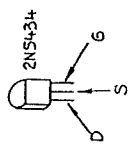
NOTES:  
COMPONENTS SHOWN (W.) ARE RES. B.O.

REV. NO.	DATE	BY
A	09-90	SWAPPED PM - JTB
H2501 NO.		
BIAMP SYSTEMS, INC.		
MIXPAX 300 REAR POWER PCB		
COMPONENT LAYOUT		
380-0300-00		
PAGE 1 OF 1		





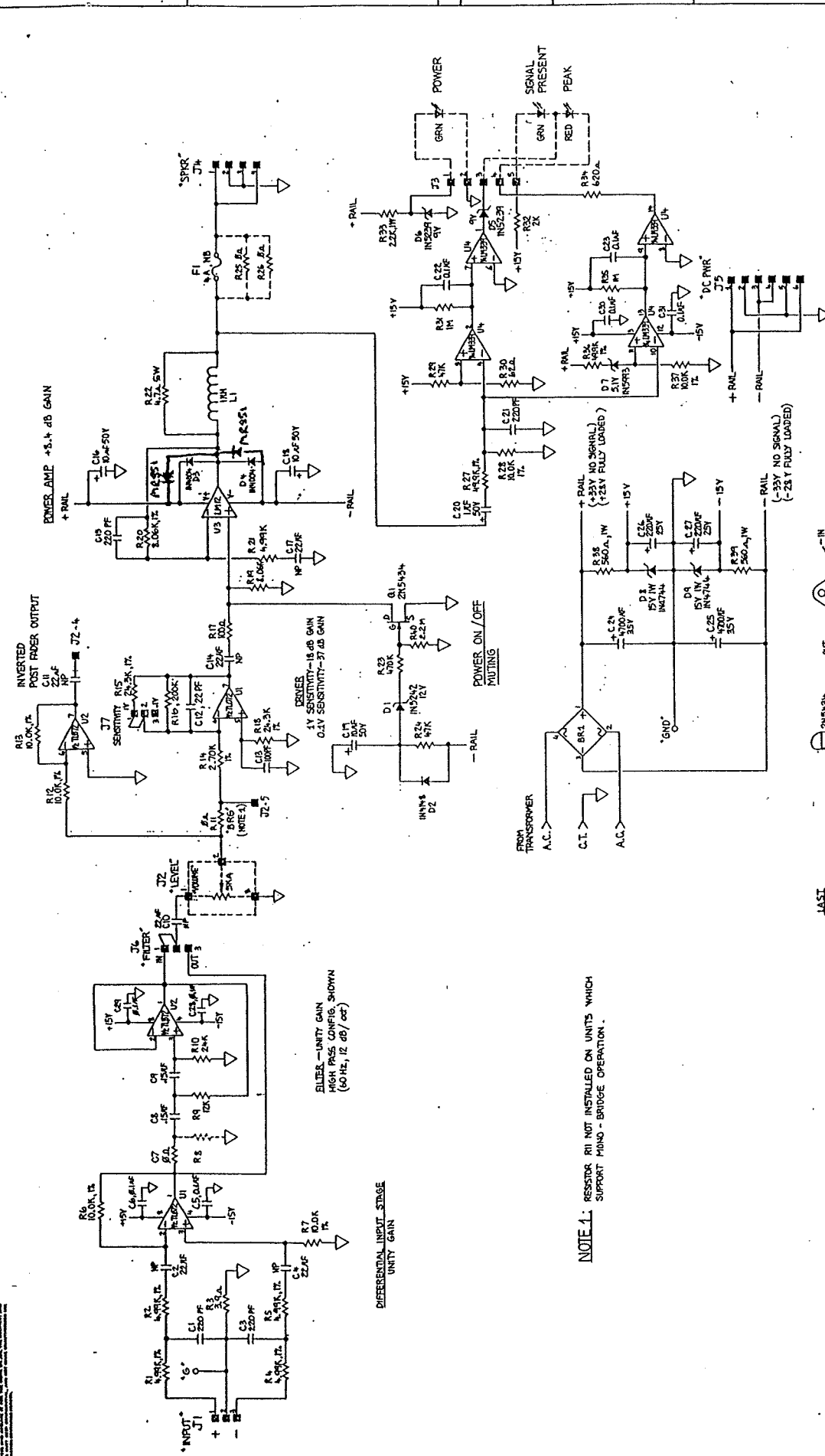
A	315-86	REV. A FILM, ALSO ADDED R40	10-4-88	ND
B	365-89	REMOVED HEATSINK FROM BR1	3-7-91	ND
C	1073-89	380-0251-00 REV. B FILM	3-17-91	ND
D	1014-90	CH6D SPKR. FUSE TO 4A	1-17-90	ND



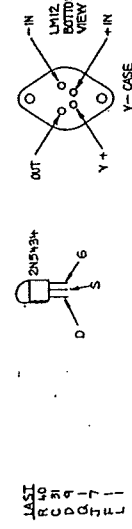
NOTES: \* RESISTOR R41 NOT INSTALLED ON UNITS WHICH SUPPORT MONO-BRIDGE OPERATION.  
 \* U3 IS MOUNTED ON SOLDER SIDE.

ND	9-8-88	biamp	BIAMP SYSTEMS
COMPONENT LAYOUT			
D-60 POWER AMP			
C		701-0251-00	d
			ND

REV. 1	REV. 2	REV. 3	REV. 4
1	2	3	4



**NOTE 1:** RESISTOR R11 NOT INSTALLED ON UNITS WHICH SUPPORT PING - BRIDGE OPERATION.



- 1 A52
- 2 C 31
- 3 D 9
- 4 D 9
- 5 I 7
- 6 I 1

biamp		ALASKA SYSTEMS, INC.	
NO. 0251		4225 1/2 ST. UNIVERSITY AVENUE	
REV. 1		PORTLAND, OR 97203	
0.60 POWER AMPLIFIER		SCHEMATIC	
PART NO.		700-0251-00	
REV. 1		REV. 1	

A B C D E F G H









11-11-11

