

RT
Remote Translator
Schematic

Released June 25,

6

5

4

3

2

1

D

C

B

A

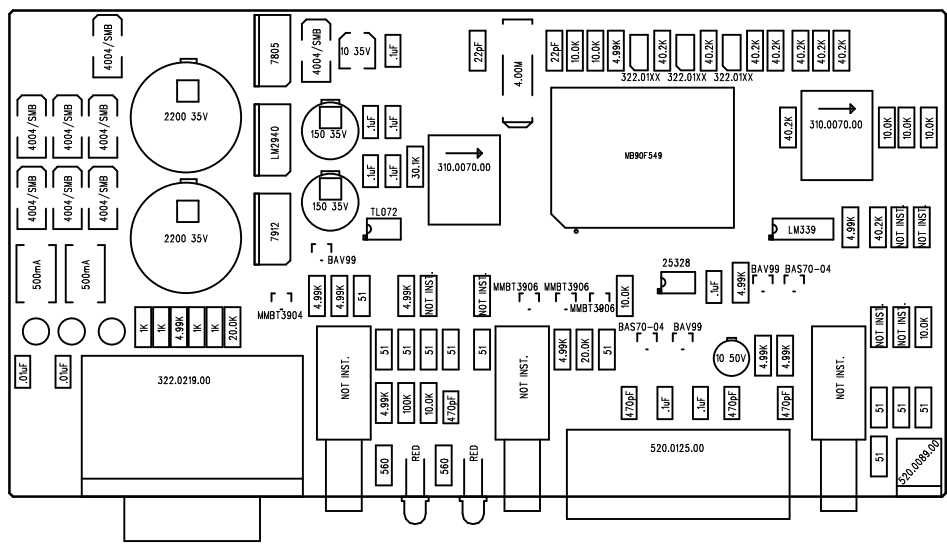
D

C

B

A

REVISION RECORD			
LTR	ECO NO:	APPROVED:	DATE:
A	J2,3,4 and R31,32,34 are added, net names are changed		
B	047-00,049-051-00,011-01		



BIAMP SYSTEMS, INC
 10074 SW Arctic Drive
 Beaverton, Oregon 97005
 (503) 641-7287
 380-0516-00 REV-B

Sheet 2 of 6 : Component Side
 Sheet 6 of 6 : Solder Mask (component)

BIAMP SYSTEMS, INC. 10074 S.W. ARCTIC DRIVE BEAVERTON, OR 97005			
TITLE: TRANSLATOR PCB COMPONENT LAYOUT			
CODE:	SIZE: C	DRAWING NO: 701.0516.00	REV: B
SCALE:			SHEET: 1 OF 2

DRAWN:	DATED:
CHECKED:	DATED:
QUALITY CONTROL:	DATED:
RELEASED:	DATED:

6

5

4

3

2

1

D

C

B

A

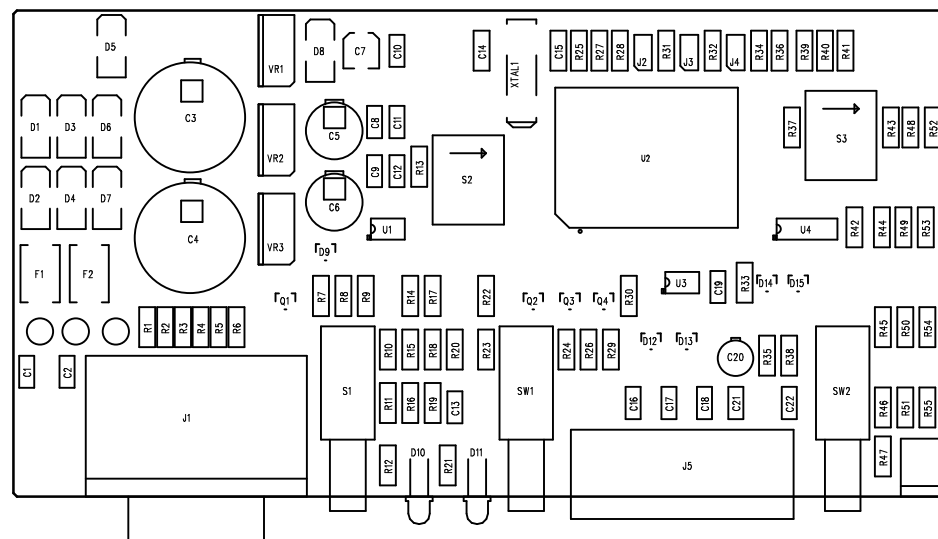
D

C

B

A

REVISION RECORD			
LTR	ECO NO:	APPROVED:	DATE:
A	J2,3,4 and R31,32,34 are added, net names are changed		
B	047-00,049-051-00,011-01		

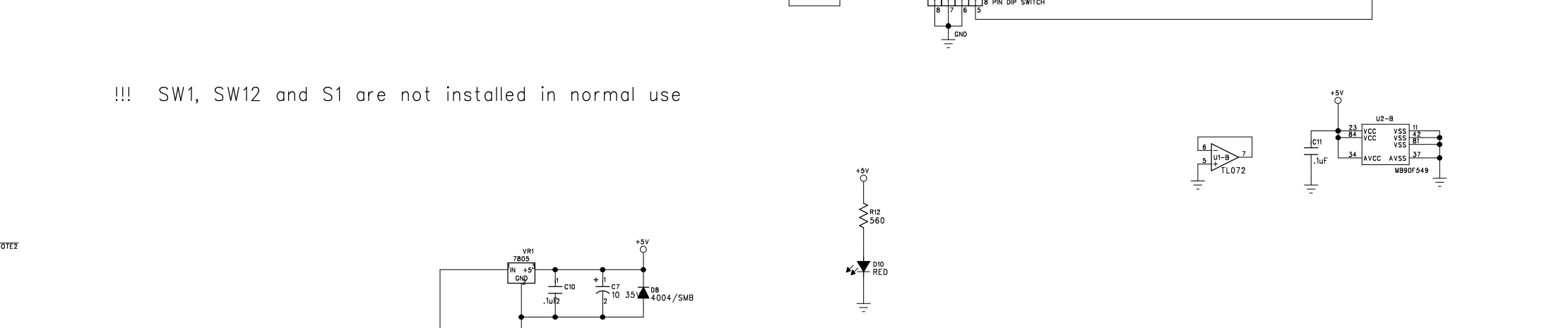
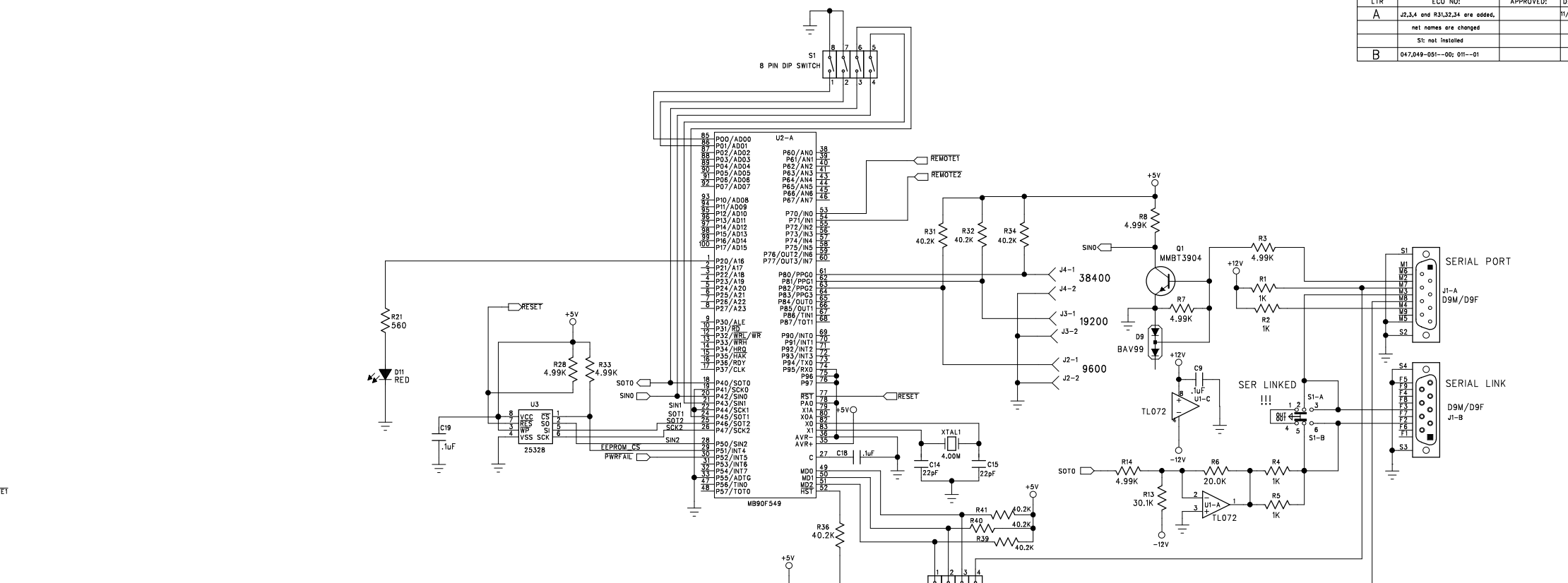
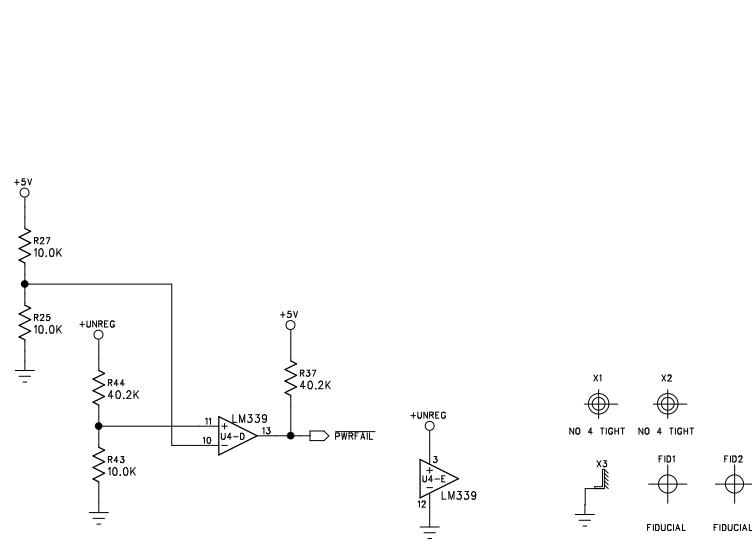
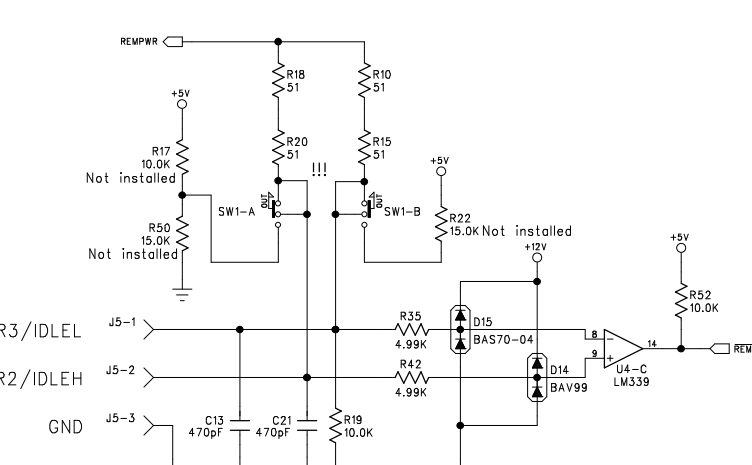
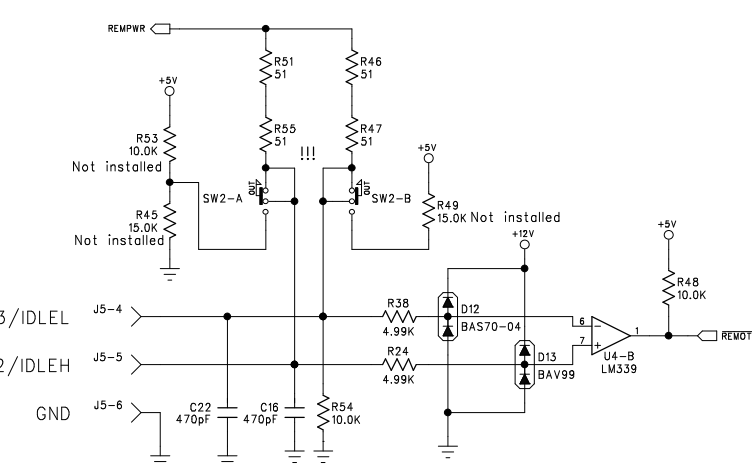
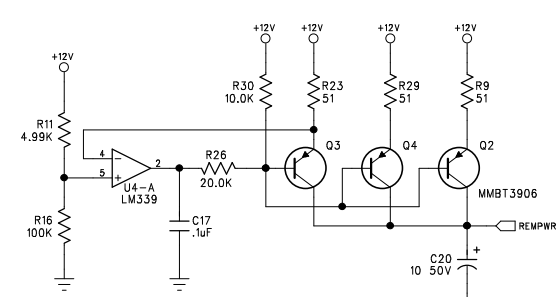


BIAMP SYSTEMS, INC
 10074 SW Arctic Drive
 Beaverton, Oregon 97005
 (503) 641-7287
 380-0516-00 REV-B

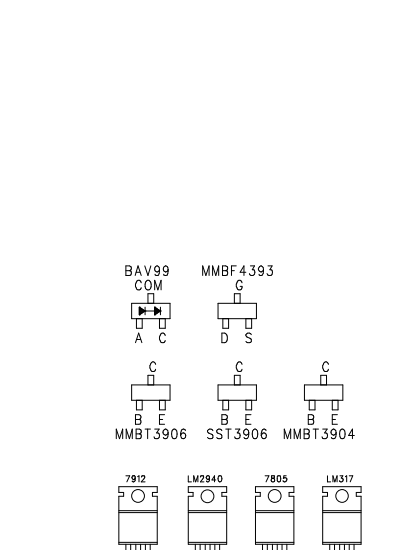
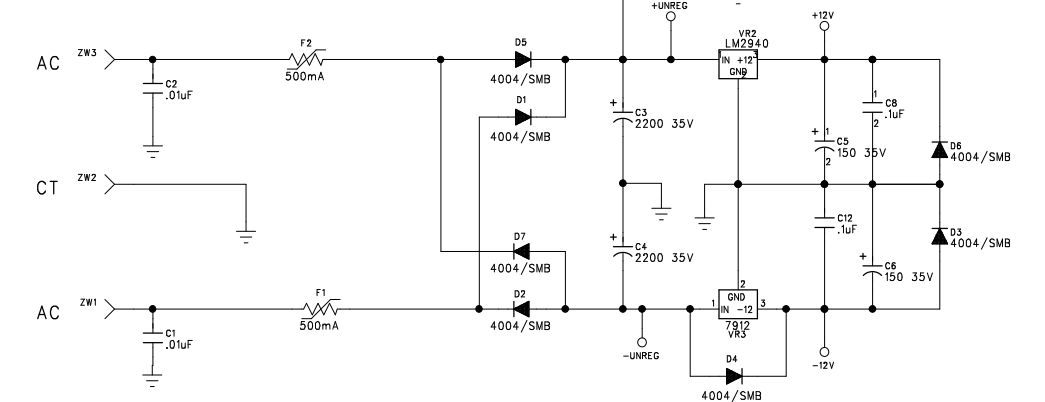
BIAMP SYSTEMS, INC. 10074 S.W. ARCTIC DRIVE BEAVERTON, OR 97005			
TITLE: TRANSLATOR PCB COMPONENT LAYOUT			
CODE:	SIZE: C	DRAWING NO: 701.0516.00	REV: B
SCALE:		SHEET: 2 OF 2	

DRAWN:	DATED:
CHECKED:	DATED:
QUALITY CONTROL:	DATED:
RELEASED:	DATED:

REVISION RECORD			
LTR	ECO NO:	APPROVED:	DATE:
A	J2,3,4 and R31,32,34 are added. net names are changed.		11/03/00
B	S1: not installed		
B	047,049-051--00; 011--01		



!!! SW1, SW12 and S1 are not installed in normal use



BIAMP SYSTEMS		10074 SW ARCTIC DRIVE BEAVERTON, OR 97005	
TITLE: TRANSLATOR PCB			
DRAWN: VK	DATED: 06/20/01	CODE: C	SIZE: 700-0516-00
CHECKED:	DATED:	DRAWING NO: 700-0516-00	REV: B
QUALITY CONTROL:	DATED:	SHEET: 1 OF 1	
RELEASED:	DATED:	SCALE:	