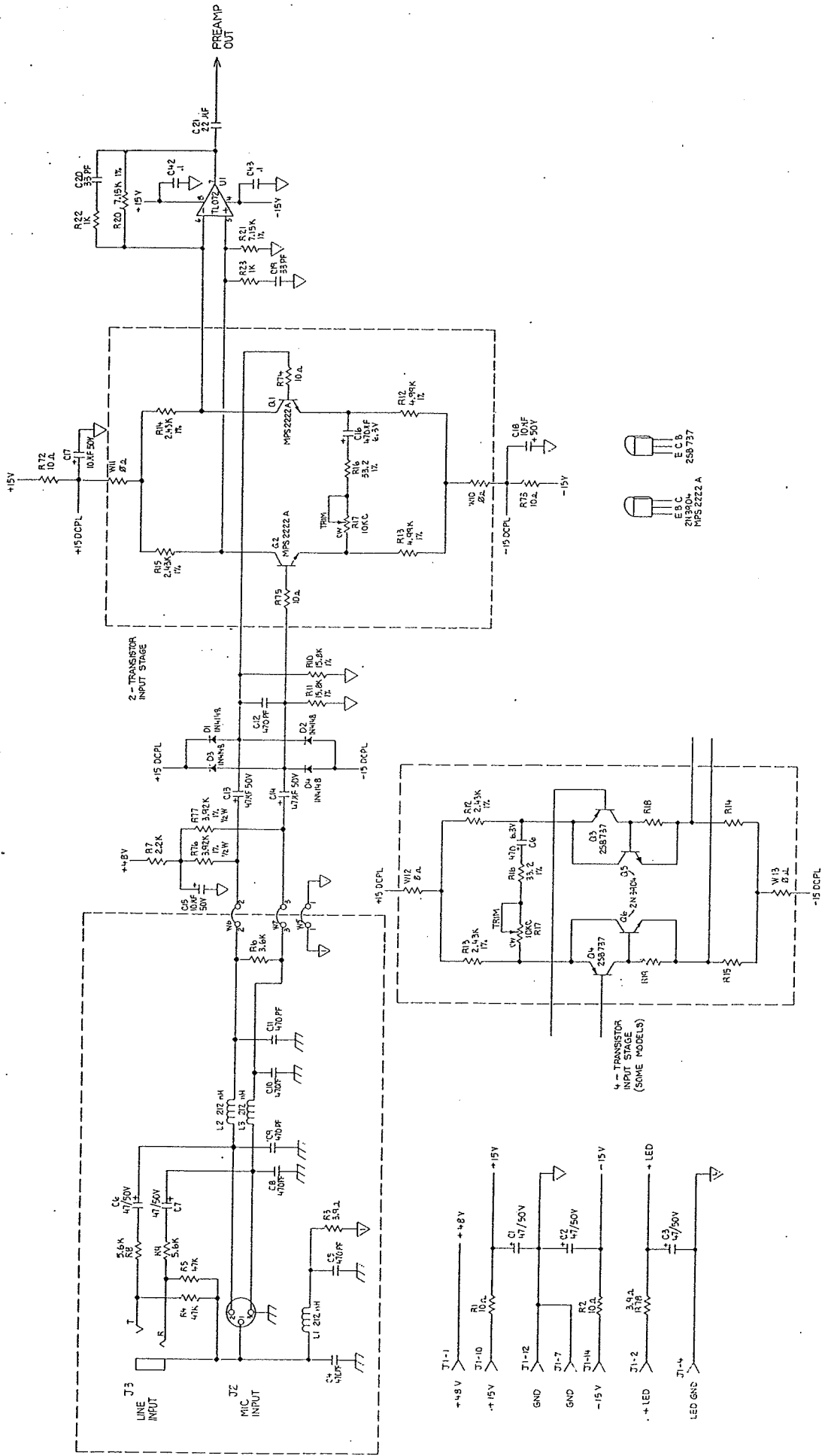


# **Rackmax II Schematic**

**B I A M P<sup>®</sup>**  
S Y S T E M S

10074 SW Arctic Drive      Beaverton, OR 97005      503-641-7287



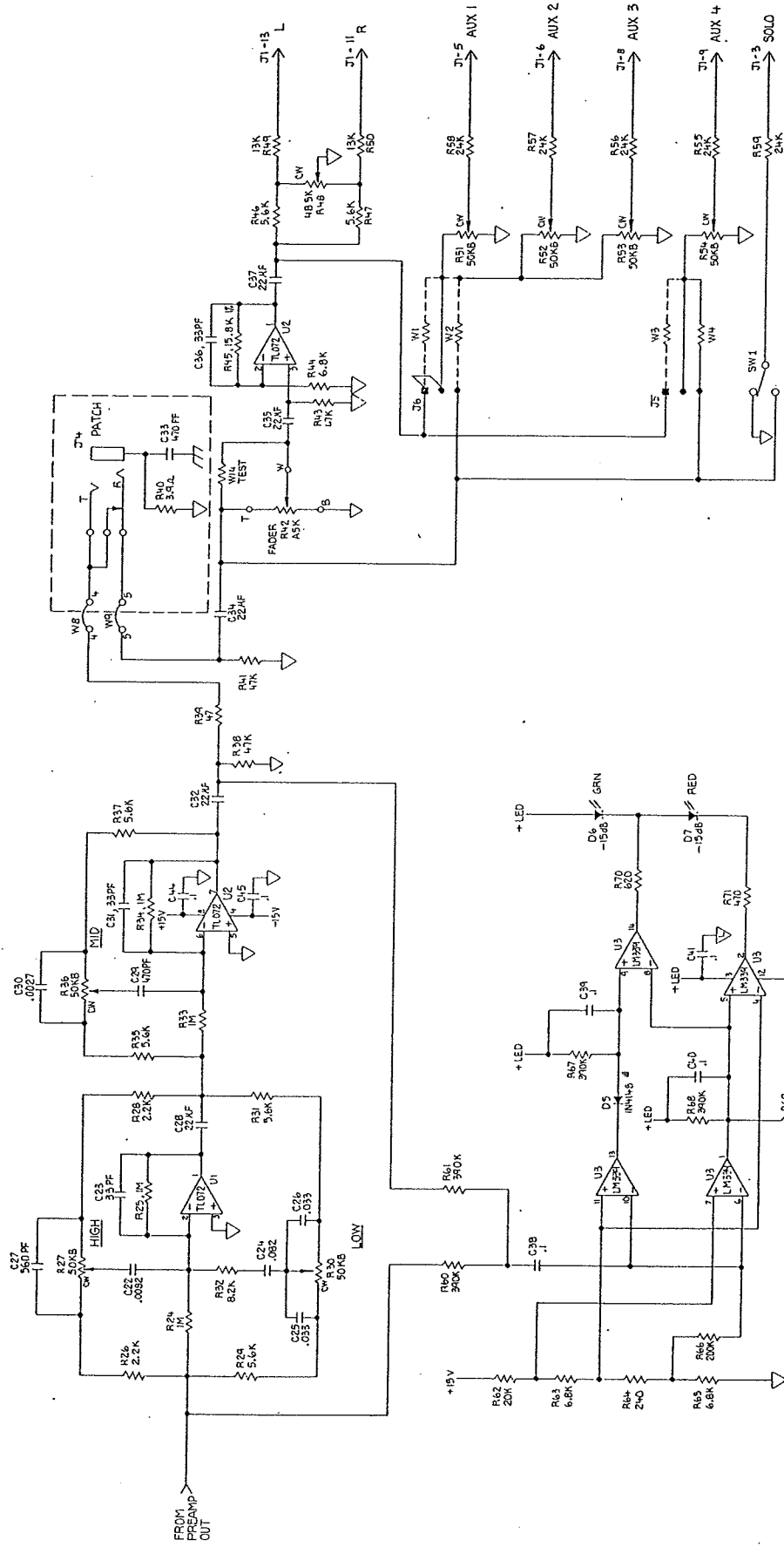
DATE	REV	BY	CHKD	APP'D
01/15/83	1			
DESIGNED	DESIGNED	DESIGNED	DESIGNED	DESIGNED
01/15/83	1			
TESTED	TESTED	TESTED	TESTED	TESTED
01/15/83	1			
ASSEMBLED	ASSEMBLED	ASSEMBLED	ASSEMBLED	ASSEMBLED
01/15/83	1			
INSPECTED	INSPECTED	INSPECTED	INSPECTED	INSPECTED
01/15/83	1			
APPROVED	APPROVED	APPROVED	APPROVED	APPROVED
01/15/83	1			

BIAMP SYSTEMS, INC.  
4400 BAY AVENUE, SUITE 200  
PORTLAND, OR 97207

**SCHEMATIC**  
**RACKMAX II INPUT**  
REV. 001, 700-0230-00

DATE: 01/15/83  
DRAWN: J. J. JONES  
CHECKED: J. J. JONES  
TESTED: J. J. JONES  
ASSEMBLED: J. J. JONES  
INSPECTED: J. J. JONES  
APPROVED: J. J. JONES

1 OF 2



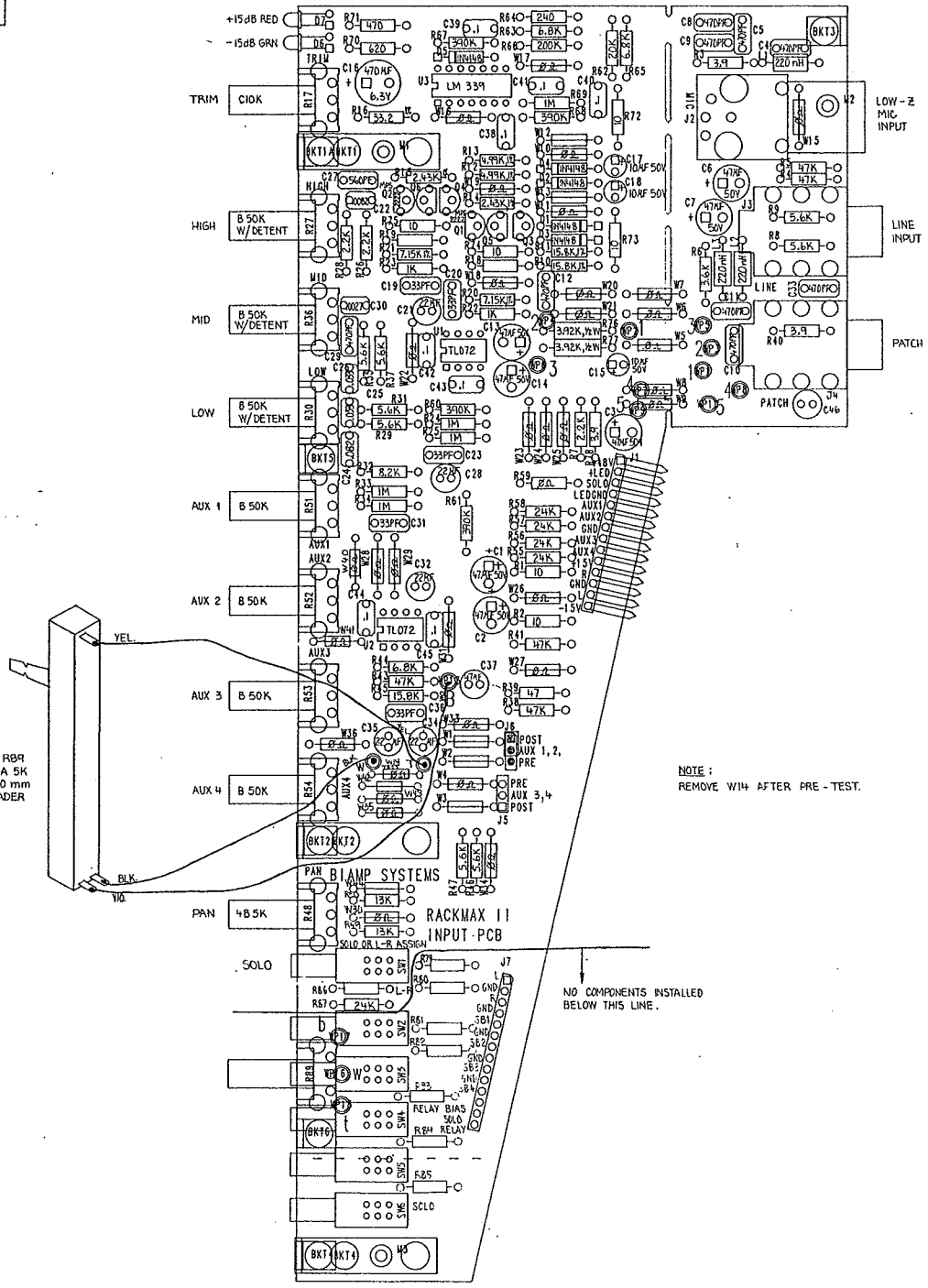
- LAST  
R40  
C45  
L3  
D8  
D7  
C7  
U3  
SW6  
W36

		<b>BIAMP SYSTEMS, INC.</b> 10001 BUCKLEUP DRIVE FORT WORTH, TEXAS 76133	
DRAWING NO. <b>700-0230-00</b> TITLE <b>RACKMAX II INPUT</b>	DATE <b>11/83</b> REVISIONS 1 2 3 4 5 6 7 8 9 10 11 12 13 14 15 16 17 18 19 20 21 22 23 24 25 26 27 28 29 30	PARTS LIST PART NO. QUANTITY U1 1 TL072 U2 1 TL072 U3 1 LM555 U4 1 LM555 U5 1 LM555 R1 1 33K R2 1 33K R3 1 33K R4 1 33K R5 1 33K R6 1 33K R7 1 33K R8 1 33K R9 1 33K R10 1 33K R11 1 33K R12 1 33K R13 1 33K R14 1 33K R15 1 33K R16 1 33K R17 1 33K R18 1 33K R19 1 33K R20 1 33K R21 1 33K R22 1 33K R23 1 33K R24 1 33K R25 1 33K R26 1 33K R27 1 33K R28 1 33K R29 1 33K R30 1 33K R31 1 33K R32 1 33K R33 1 33K R34 1 33K R35 1 33K R36 1 33K R37 1 33K R38 1 33K R39 1 33K R40 1 33K R41 1 33K R42 1 33K R43 1 33K R44 1 33K R45 1 33K C1 1 100K C2 1 100K C3 1 100K C4 1 100K C5 1 100K C6 1 100K C7 1 100K C8 1 100K C9 1 100K C10 1 100K SW1 1 1P1A SW2 1 1P1A SW3 1 1P1A SW4 1 1P1A SW5 1 1P1A SW6 1 1P1A W1 1 1/4W W2 1 1/4W W3 1 1/4W W4 1 1/4W W5 1 1/4W W6 1 1/4W W7 1 1/4W W8 1 1/4W W9 1 1/4W W10 1 1/4W W11 1 1/4W W12 1 1/4W W13 1 1/4W W14 1 1/4W W15 1 1/4W W16 1 1/4W W17 1 1/4W W18 1 1/4W W19 1 1/4W W20 1 1/4W W21 1 1/4W W22 1 1/4W W23 1 1/4W W24 1 1/4W W25 1 1/4W W26 1 1/4W W27 1 1/4W W28 1 1/4W W29 1 1/4W W30 1 1/4W W31 1 1/4W W32 1 1/4W W33 1 1/4W W34 1 1/4W W35 1 1/4W W36 1 1/4W	SCALE NONE SHEET 2 OF 2

A B C D E F G H

REV.	ECO.	DESCRIPTION	DATE	BY
A	013	CHG D.R. FROM 1.0 TO 2.0	4-28-81	ND
B	1026	380-0230-01 REV. C FILM		ND
C	1045	CHG D. SERVO TO 1.2 POSIT. 3.4 POS.	6/2/81	

BIAMP SYSTEMS  
RACKMAX II INPUT PCB  
380-0230-01  
REV C



R89  
15A 5K  
100 mm  
FADER

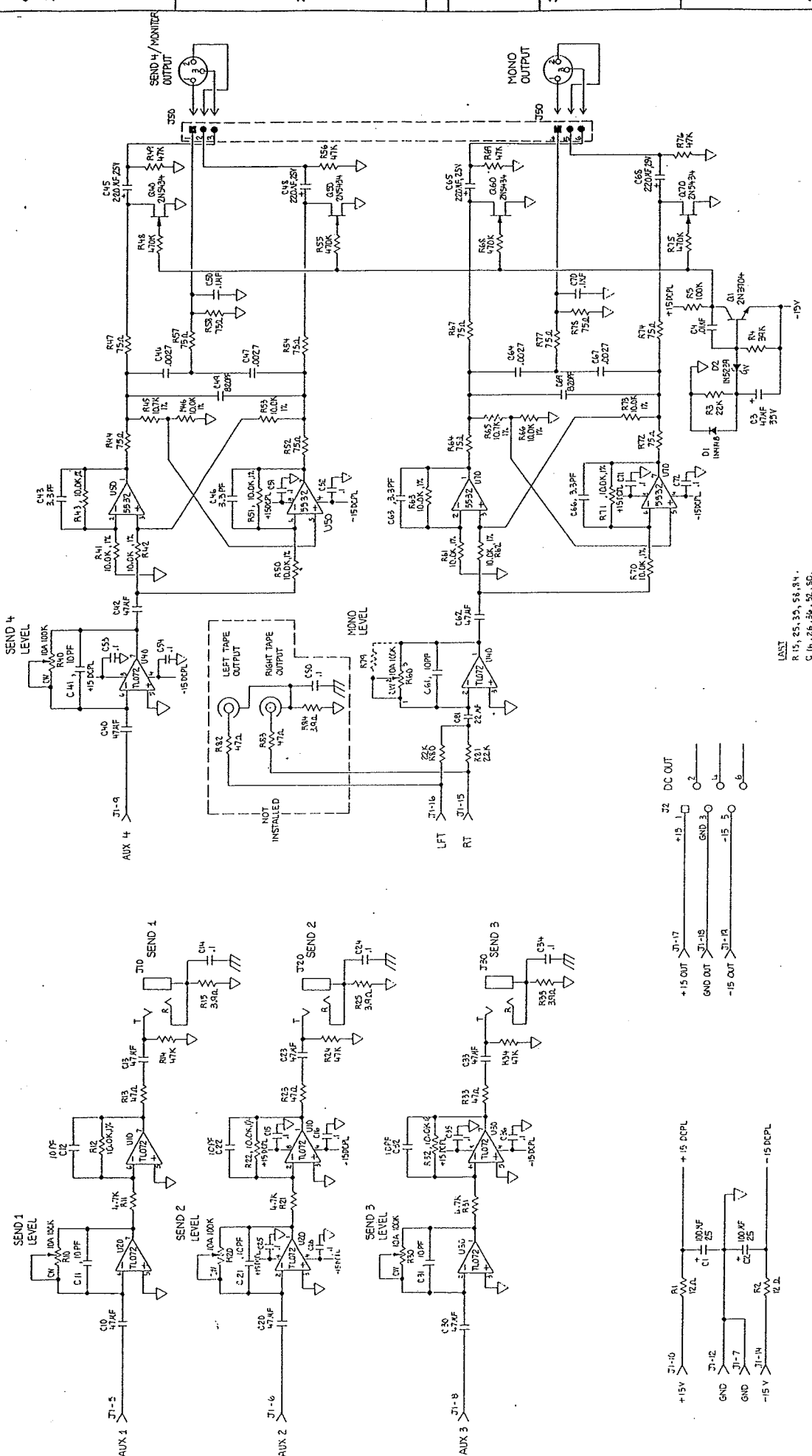
NOTE:  
REMOVE W14 AFTER PRE-TEST.

NO COMPONENTS INSTALLED  
BELOW THIS LINE.

BIAMP SYSTEMS, INC.		RACKMAX II INPUT PCB	
COMPONENT LAYOUT		COMPONENT LAYOUT	
REV. NO.	REV. DATE	REV. NO.	REV. DATE
1.0	10/28/81	1.0	10/28/81
1.1	11/18/81	1.1	11/18/81
1.2	12/15/81	1.2	12/15/81
1.3	1/15/82	1.3	1/15/82
1.4	2/15/82	1.4	2/15/82
1.5	3/15/82	1.5	3/15/82
1.6	4/15/82	1.6	4/15/82
1.7	5/15/82	1.7	5/15/82
1.8	6/15/82	1.8	6/15/82
1.9	7/15/82	1.9	7/15/82
2.0	8/15/82	2.0	8/15/82
2.1	9/15/82	2.1	9/15/82
2.2	10/15/82	2.2	10/15/82
2.3	11/15/82	2.3	11/15/82
2.4	12/15/82	2.4	12/15/82
2.5	1/15/83	2.5	1/15/83
2.6	2/15/83	2.6	2/15/83
2.7	3/15/83	2.7	3/15/83
2.8	4/15/83	2.8	4/15/83
2.9	5/15/83	2.9	5/15/83
3.0	6/15/83	3.0	6/15/83
3.1	7/15/83	3.1	7/15/83
3.2	8/15/83	3.2	8/15/83
3.3	9/15/83	3.3	9/15/83
3.4	10/15/83	3.4	10/15/83
3.5	11/15/83	3.5	11/15/83
3.6	12/15/83	3.6	12/15/83
3.7	1/15/84	3.7	1/15/84
3.8	2/15/84	3.8	2/15/84
3.9	3/15/84	3.9	3/15/84
4.0	4/15/84	4.0	4/15/84
4.1	5/15/84	4.1	5/15/84
4.2	6/15/84	4.2	6/15/84
4.3	7/15/84	4.3	7/15/84
4.4	8/15/84	4.4	8/15/84
4.5	9/15/84	4.5	9/15/84
4.6	10/15/84	4.6	10/15/84
4.7	11/15/84	4.7	11/15/84
4.8	12/15/84	4.8	12/15/84
4.9	1/15/85	4.9	1/15/85
5.0	2/15/85	5.0	2/15/85
5.1	3/15/85	5.1	3/15/85
5.2	4/15/85	5.2	4/15/85
5.3	5/15/85	5.3	5/15/85
5.4	6/15/85	5.4	6/15/85
5.5	7/15/85	5.5	7/15/85
5.6	8/15/85	5.6	8/15/85
5.7	9/15/85	5.7	9/15/85
5.8	10/15/85	5.8	10/15/85
5.9	11/15/85	5.9	11/15/85
6.0	12/15/85	6.0	12/15/85
6.1	1/15/86	6.1	1/15/86
6.2	2/15/86	6.2	2/15/86
6.3	3/15/86	6.3	3/15/86
6.4	4/15/86	6.4	4/15/86
6.5	5/15/86	6.5	5/15/86
6.6	6/15/86	6.6	6/15/86
6.7	7/15/86	6.7	7/15/86
6.8	8/15/86	6.8	8/15/86
6.9	9/15/86	6.9	9/15/86
7.0	10/15/86	7.0	10/15/86
7.1	11/15/86	7.1	11/15/86
7.2	12/15/86	7.2	12/15/86
7.3	1/15/87	7.3	1/15/87
7.4	2/15/87	7.4	2/15/87
7.5	3/15/87	7.5	3/15/87
7.6	4/15/87	7.6	4/15/87
7.7	5/15/87	7.7	5/15/87
7.8	6/15/87	7.8	6/15/87
7.9	7/15/87	7.9	7/15/87
8.0	8/15/87	8.0	8/15/87
8.1	9/15/87	8.1	9/15/87
8.2	10/15/87	8.2	10/15/87
8.3	11/15/87	8.3	11/15/87
8.4	12/15/87	8.4	12/15/87
8.5	1/15/88	8.5	1/15/88
8.6	2/15/88	8.6	2/15/88
8.7	3/15/88	8.7	3/15/88
8.8	4/15/88	8.8	4/15/88
8.9	5/15/88	8.9	5/15/88
9.0	6/15/88	9.0	6/15/88
9.1	7/15/88	9.1	7/15/88
9.2	8/15/88	9.2	8/15/88
9.3	9/15/88	9.3	9/15/88
9.4	10/15/88	9.4	10/15/88
9.5	11/15/88	9.5	11/15/88
9.6	12/15/88	9.6	12/15/88
9.7	1/15/89	9.7	1/15/89
9.8	2/15/89	9.8	2/15/89
9.9	3/15/89	9.9	3/15/89
10.0	4/15/89	10.0	4/15/89

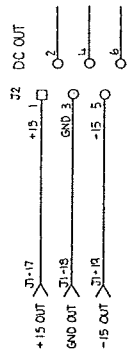
3800230A.job - Tue Sep 04 14:32:12 1990

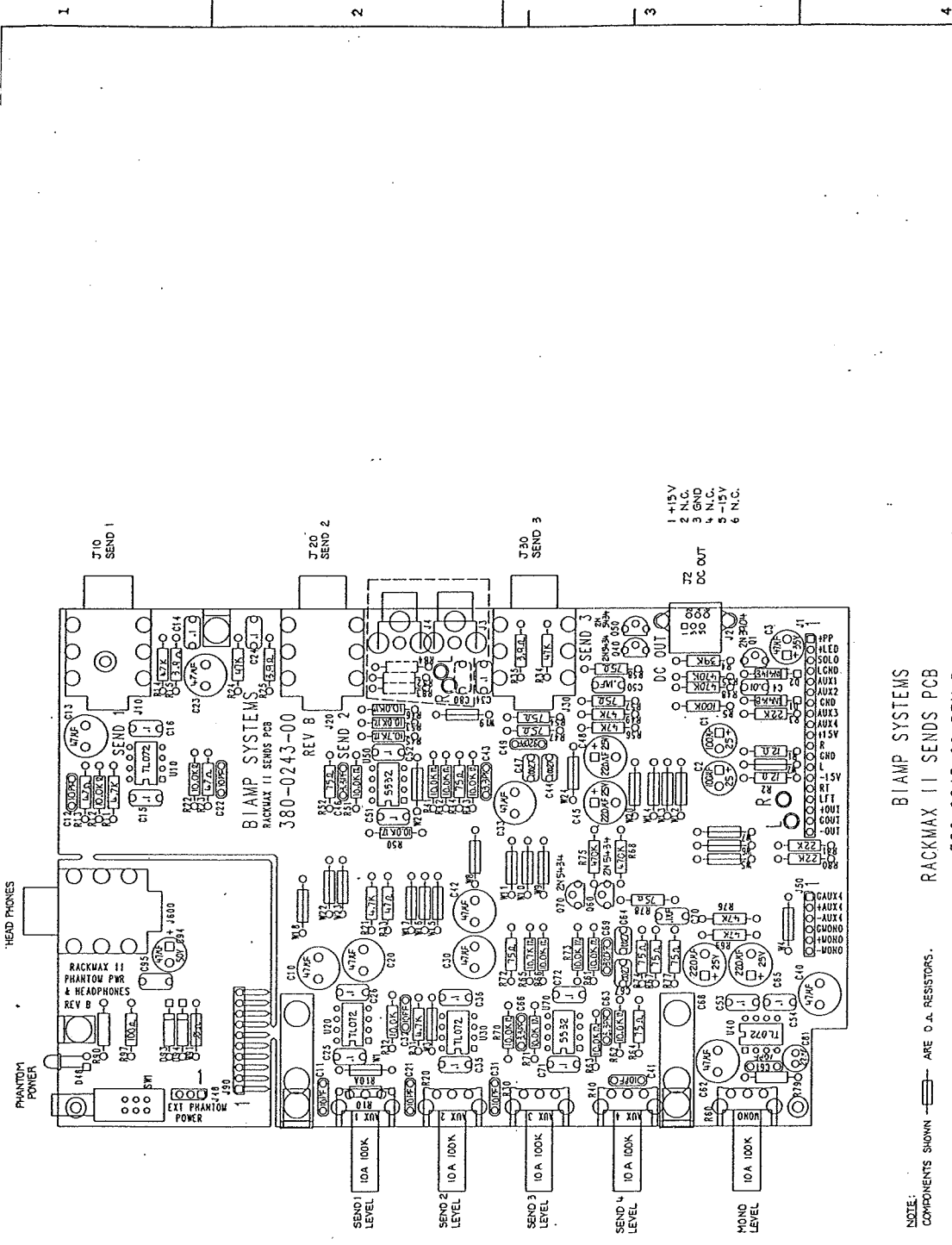
A B C D E F G H



biamp		ALL PARTS SPECIFIED ARE IN STOCK UNLESS NOTED OTHERWISE
SCHEMATIC		FORM NO. 700-0243-00
RACKMAX II SENDS PCB		REV. 10/80
DRAWN BY: J. L. RAY		DATE: 10/80
CHECKED BY: J. L. RAY		DATE: 10/80
APPROVED BY: J. L. RAY		DATE: 10/80
SCALE: NONE		SHEET 1 OF 1

LAST  
 R 15, 25, 35, 55, 84,  
 C 16, 26, 36, 56, 90,  
 U 20, 20, 30, 50, 72,  
 Q 1



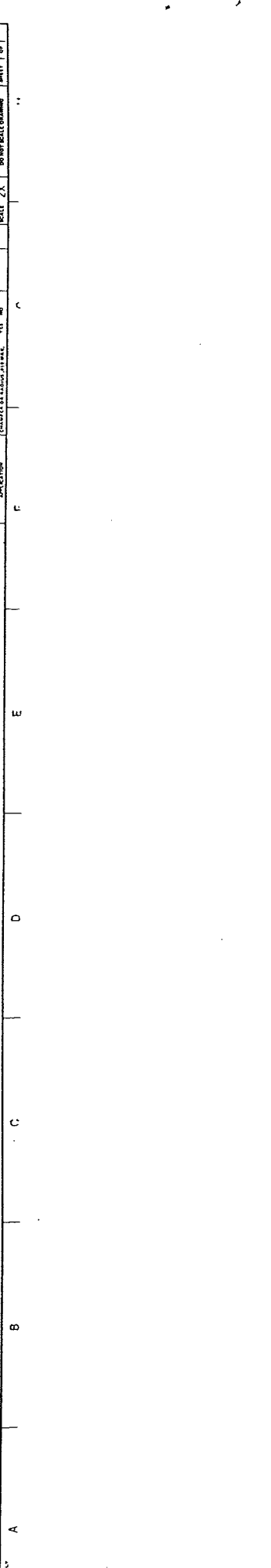


- 1 - 15V
- 2 - N.C.
- 3 - GND
- 4 - N.C.
- 5 - 15V
- 6 - N.C.

BIAMP SYSTEMS  
RACKMAX II SENDS PCB  
380-0243-00 REV B

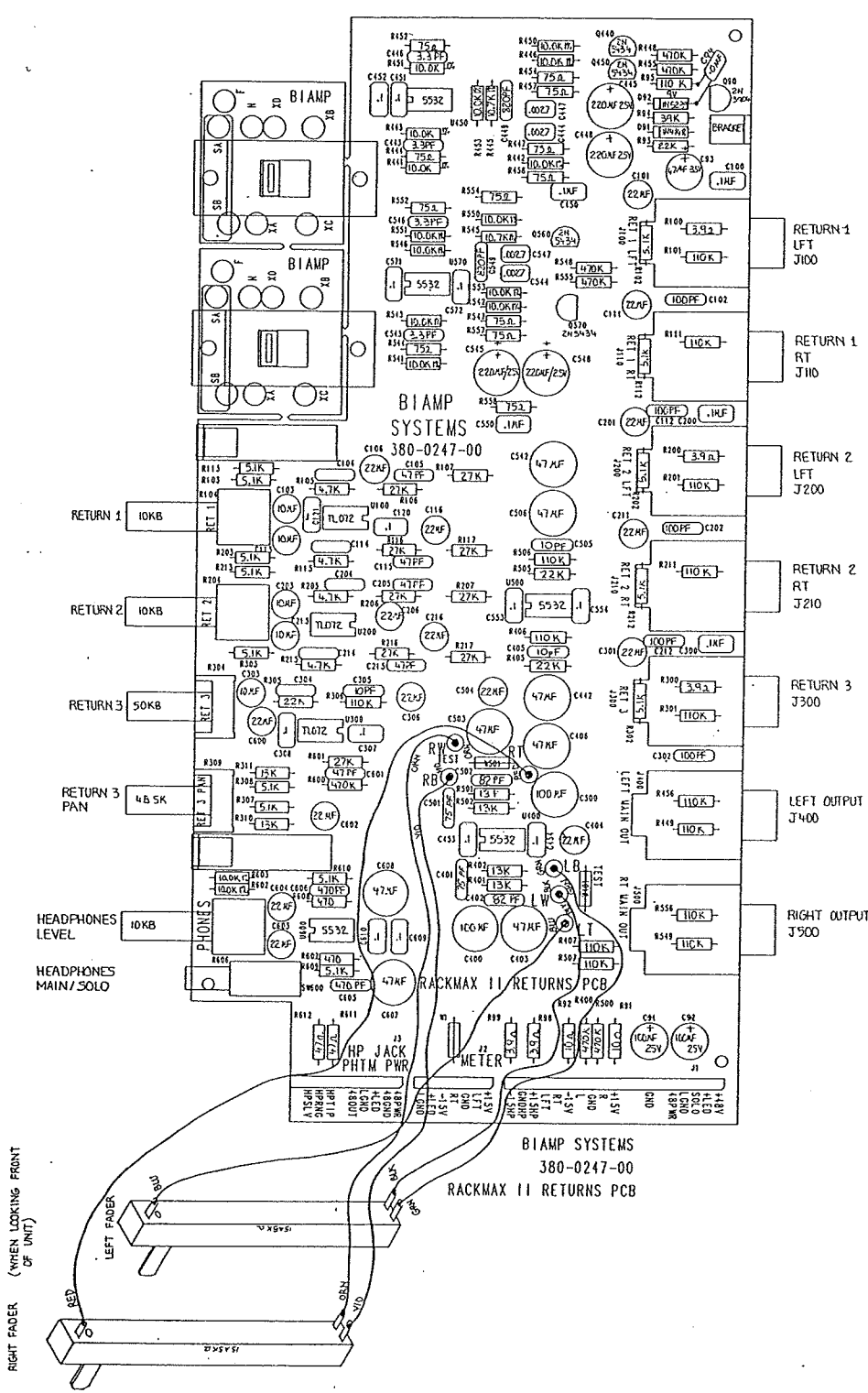
NOTE:  
COMPONENTS SHOWN ARE 0.1% RESISTORS.

BIAMP SYSTEMS, INC. 2400 N.W. 35TH AVENUE PORTLAND, OREGON 97229	
DATE: 11/15/90	DESIGNER: J. B. HAYES
CHECKED: J. B. HAYES	DATE: 11/15/90
APPROVED: J. B. HAYES	DATE: 11/15/90
DATE: 11/15/90	DATE: 11/15/90
COMPONENT LAYOUT RACKMAX II SENDS PCB	
REV. D	DATE: 11/15/90
REV. C	DATE: 11/15/90
REV. B	DATE: 11/15/90
REV. A	DATE: 11/15/90





BIAMP SYSTEMS, INC. 4000 PARK DRIVE PARK DRIVE DALLAS, TEXAS 75244	
COMPONENT LAYOUT RACKMAX II RETURNS PCB	
DATE	REV
10/1/83	1
DESIGNED BY	DATE
W. J. BROWN	10/1/83
CHECKED BY	DATE
W. J. BROWN	10/1/83
APPROVED BY	DATE
W. J. BROWN	10/1/83
SCALE	DATE
1:1	10/1/83
SHEET 1 OF 1	



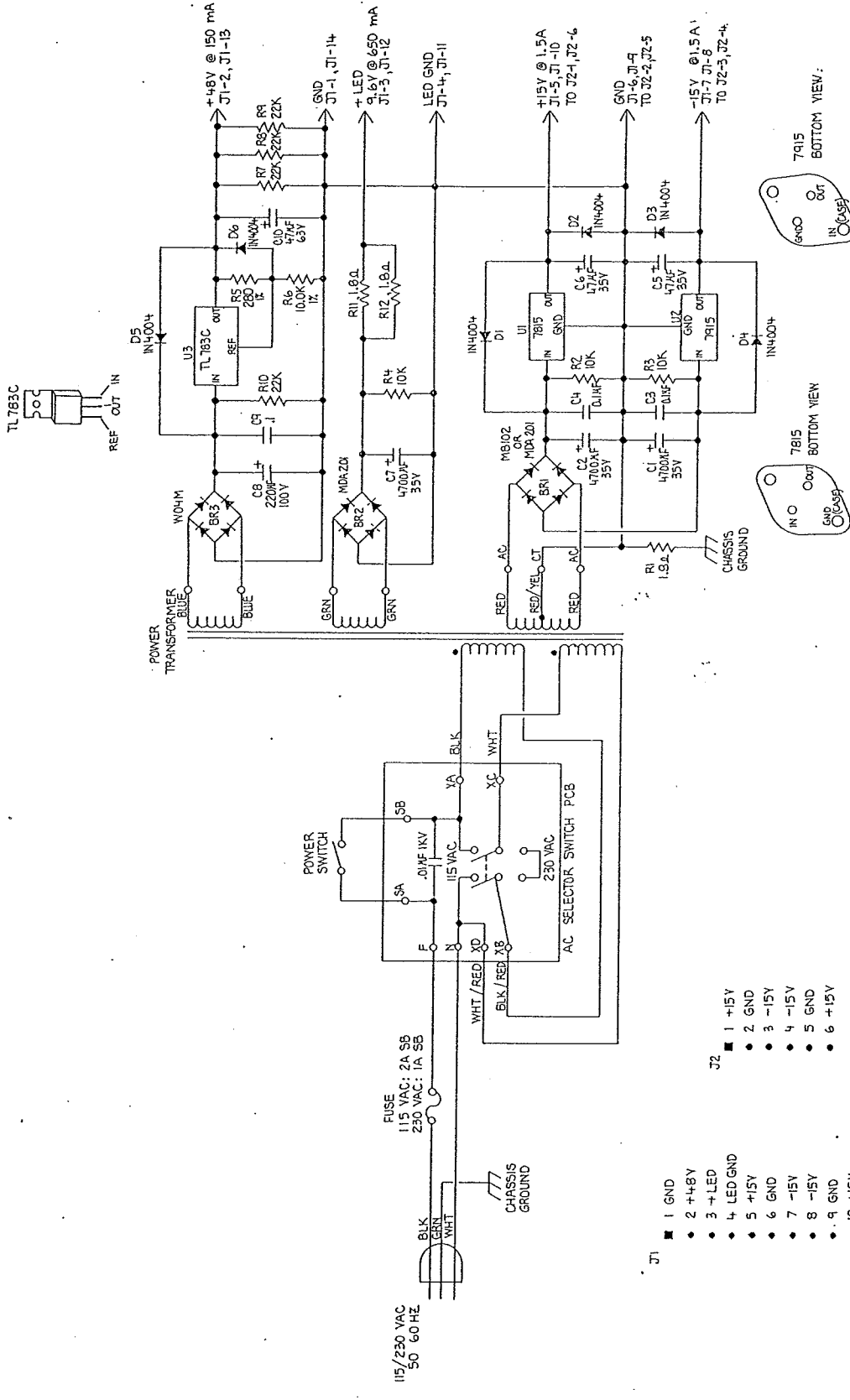
RIGHT FADER (WHEN LOCKING FRONT OF UNIT)

BIAMP SYSTEMS  
380-0247-00  
RACKMAX II RETURNS PCB

3800247 Job - Tue Mar 20 10:03:08 1990

A B C D E F G H

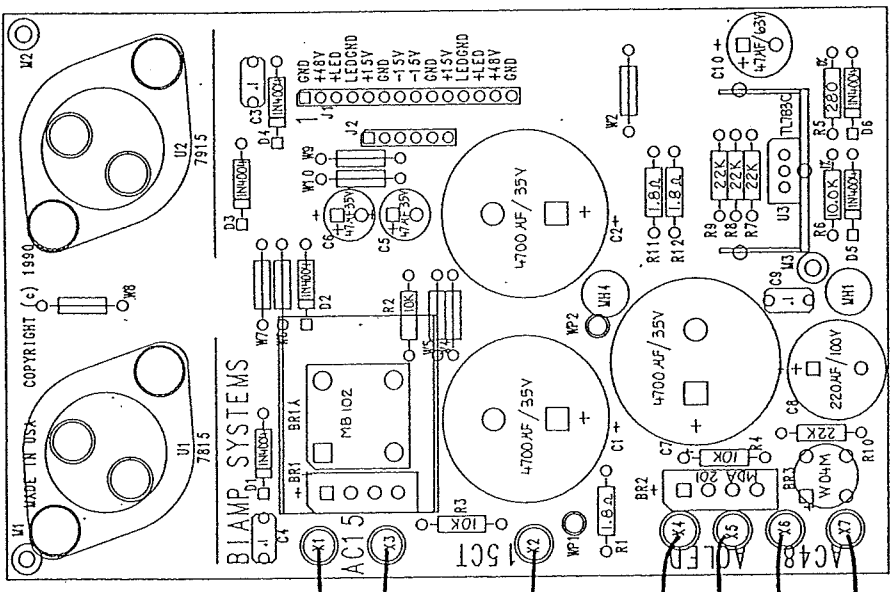




- J1
- 1 GND
  - 2 +48V
  - 3 +LED
  - 4 LED GND
  - 5 +15V
  - 6 GND
  - 7 -15V
  - 8 -15V
  - 9 GND
  - 10 +15V
  - 11 LED GND
  - 12 +LED
  - 13 +48V
  - 14 GND
- J2
- 1 +15V
  - 2 GND
  - 3 -15V
  - 4 -15V
  - 5 GND
  - 6 +15V

ITEM	DESCRIPTION	SIZE	QTY.
<b>biamp BIAMP SYSTEMS</b> <b>RACKMAX II / NEWPORT PWR.</b> <b>SUPPLY SCHEMATIC</b>			
<small>UNLESS OTHERWISE SPECIFIED, DIMENSIONS ARE IN INCHES, TOLERANCES ARE AS SHOWN. DIMENSIONS IN PARENTHESES ARE ALTERNATE DIMENSIONS. DIMENSIONS IN SQUARE BRACKETS ARE DIMENSIONS OF THE PARTS LISTED.</small>			
DATE	DRWN	CHKD	ENGR
10/12/81	ND	ND	ND
<small>FINISH: NONE</small> <small>SCALE: NONE</small> <small>DO NOT SCALE DRAWING</small>			
<small>MODEL: NONE</small> <small>REV: A</small> <small>DATE: 10/12/81</small> <small>BY: ND</small> <small>CHKD: ND</small> <small>ENGR: ND</small> <small>APPV: ND</small> <small>SCALE: NONE</small> <small>DO NOT SCALE DRAWING</small>			

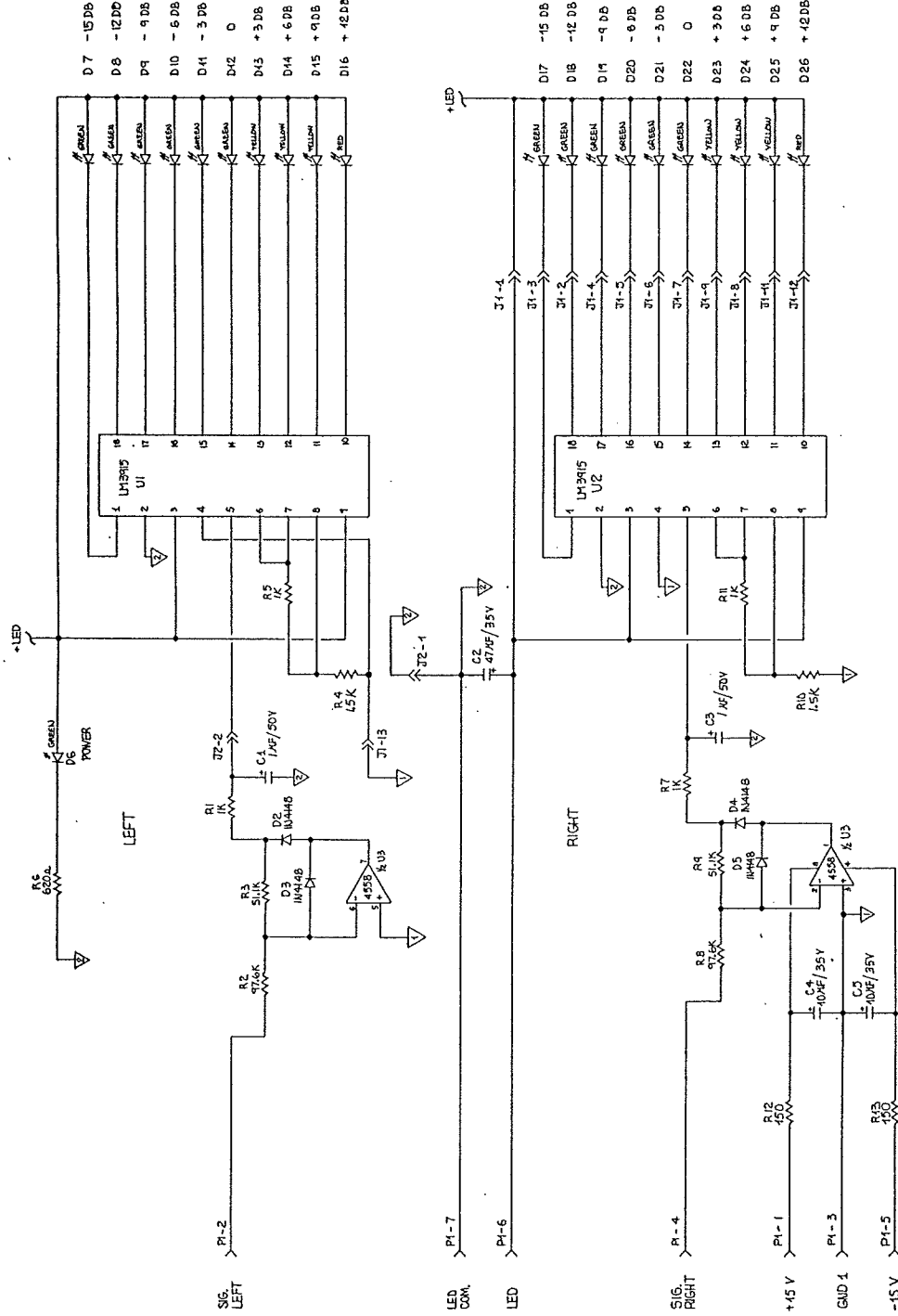
IT'S ESSENTIAL NOT REPT COMPONENTS AND NOT MAKE UNAUTHORIZED USE OF THE PATENTED COMPONENTS.



BIAMP SYSTEMS  
RACKMAX II POWER SUPPLY

NOTES : COMPONENTS SHOWN ARE 1/4 WATT RESISTOR.

ITEM	DESCRIPTION	SIZE	QTY.
380	BIAMP SYSTEMS		
381	RACKMAX II/NEWPORT PWR. SUPPLY—COMPONENT LAYOUT		
382	FILE C	DWG NO. 701-0240-00	REV. A
383	SCALE 2X	DO NOT SCALE DRAWING	SHEET 1 OF 1



REV	DATE	BY	CHKD	APP'D	DESCRIPTION
1	1/24/81	...	...	...	...
2	2/28/81	...	...	...	...

DATE	BY	CHKD	APP'D	DESCRIPTION
...	...	...	...	...

DATE	BY	CHKD	APP'D	DESCRIPTION
...	...	...	...	...

DATE	BY	CHKD	APP'D	DESCRIPTION
...	...	...	...	...

DATE	BY	CHKD	APP'D	DESCRIPTION
...	...	...	...	...

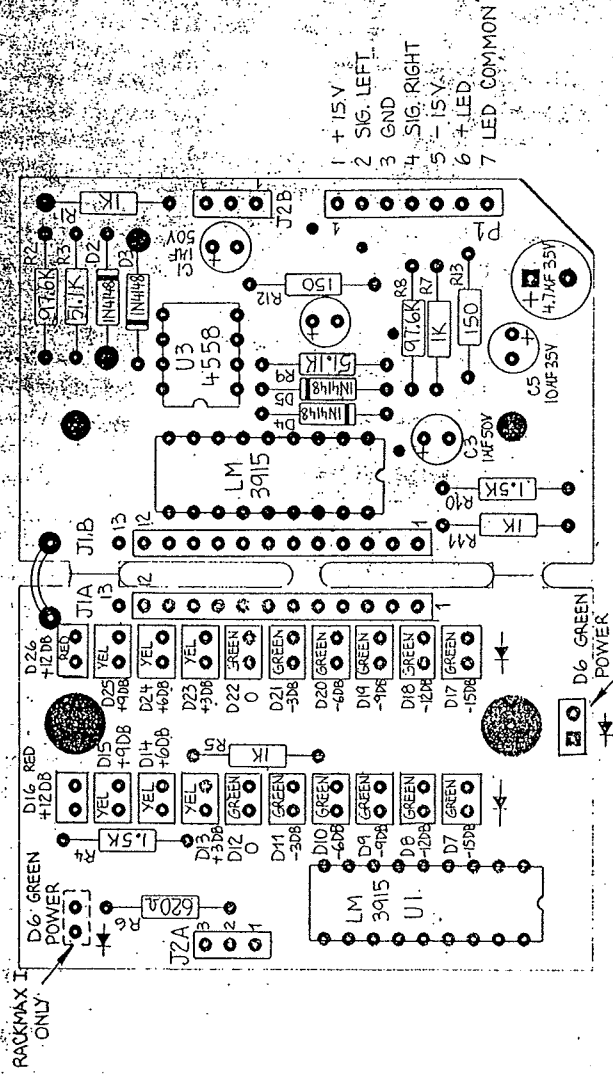
DATE	BY	CHKD	APP'D	DESCRIPTION
...	...	...	...	...

DATE	BY	CHKD	APP'D	DESCRIPTION
...	...	...	...	...

DATE	BY	CHKD	APP'D	DESCRIPTION
...	...	...	...	...

1

1  
2  
3  
4  
5  
6  
7



BIAMP BARGRAPH BOARD  
RACKMAX  
380-0186-00 REV D

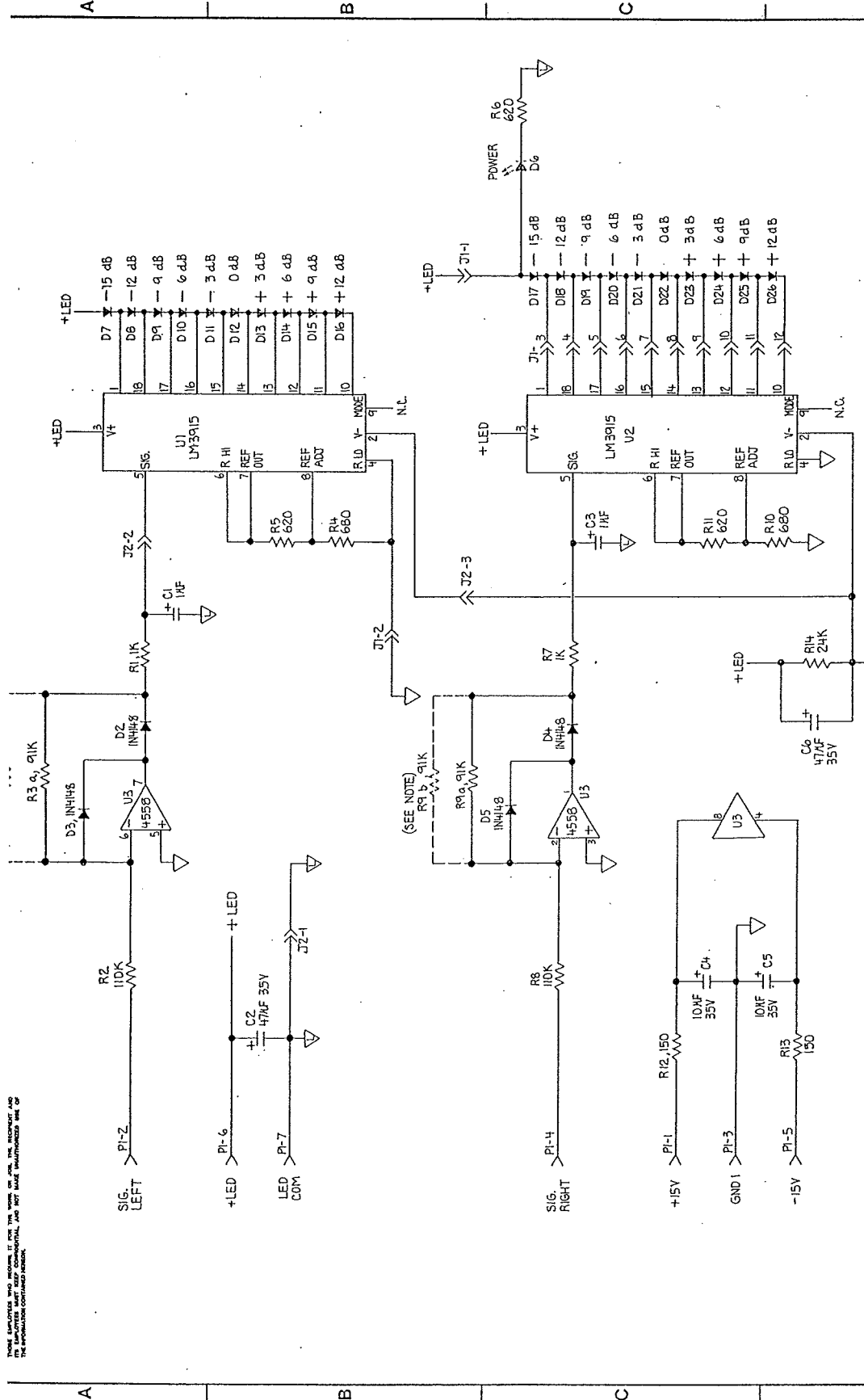
ITEM	PART NO.	DESCRIPTION	SIZE	QTY.
	ND 1518	BIAMP SYSTEMS		
COMPONENT LAYOUT				
RACKMAX BARGRAPH BOARD				
	B	DWG. NO. 701-0186-00	REV. 6	
		SCALE 2X	DO NOT SCALE DRAWING	SHEET 1 OF 1

C

B

A

PLEASE REFER TO THE REVISIONS LIST FOR THE LATEST REVISIONS TO THIS DRAWING. THE REVISIONS LIST IS LOCATED IN THE UPPER RIGHT CORNER OF THE DRAWING. THE REVISIONS LIST IS A PART OF THIS DRAWING. THE REVISIONS LIST IS A PART OF THIS DRAWING. THE REVISIONS LIST IS A PART OF THIS DRAWING.



ITEM	DESCRIPTION	PART NO.	QTY.
1	UNLESS OTHERWISE SPECIFIED DIMENSIONS ARE IN INCHES. TOLERANCES ARE DECIMAL FRACTIONS UNLESS OTHERWISE SPECIFIED.		
2	DATE	2/28/81	
3	DESIGNED BY		
4	CHECKED BY		
5	ENGINEER		
6	DESIGN		
7	APPROVED		
8	FINISH		
9	REVISIONS		
10	BY		
11	DATE		
12	BY		
13	DATE		
14	BY		
15	DATE		
16	BY		
17	DATE		
18	BY		
19	DATE		
20	BY		
21	DATE		
22	BY		
23	DATE		
24	BY		
25	DATE		
26	BY		
27	DATE		
28	BY		
29	DATE		
30	BY		
31	DATE		
32	BY		
33	DATE		
34	BY		
35	DATE		
36	BY		
37	DATE		
38	BY		
39	DATE		
40	BY		
41	DATE		
42	BY		
43	DATE		
44	BY		
45	DATE		
46	BY		
47	DATE		
48	BY		
49	DATE		
50	BY		
51	DATE		
52	BY		
53	DATE		
54	BY		
55	DATE		
56	BY		
57	DATE		
58	BY		
59	DATE		
60	BY		
61	DATE		
62	BY		
63	DATE		
64	BY		
65	DATE		
66	BY		
67	DATE		
68	BY		
69	DATE		
70	BY		
71	DATE		
72	BY		
73	DATE		
74	BY		
75	DATE		
76	BY		
77	DATE		
78	BY		
79	DATE		
80	BY		
81	DATE		
82	BY		
83	DATE		
84	BY		
85	DATE		
86	BY		
87	DATE		
88	BY		
89	DATE		
90	BY		
91	DATE		
92	BY		
93	DATE		
94	BY		
95	DATE		
96	BY		
97	DATE		
98	BY		
99	DATE		
100	BY		

NOTE: REMOVE R3b AND R9b ON SOME MODELS.