

RACKMAX

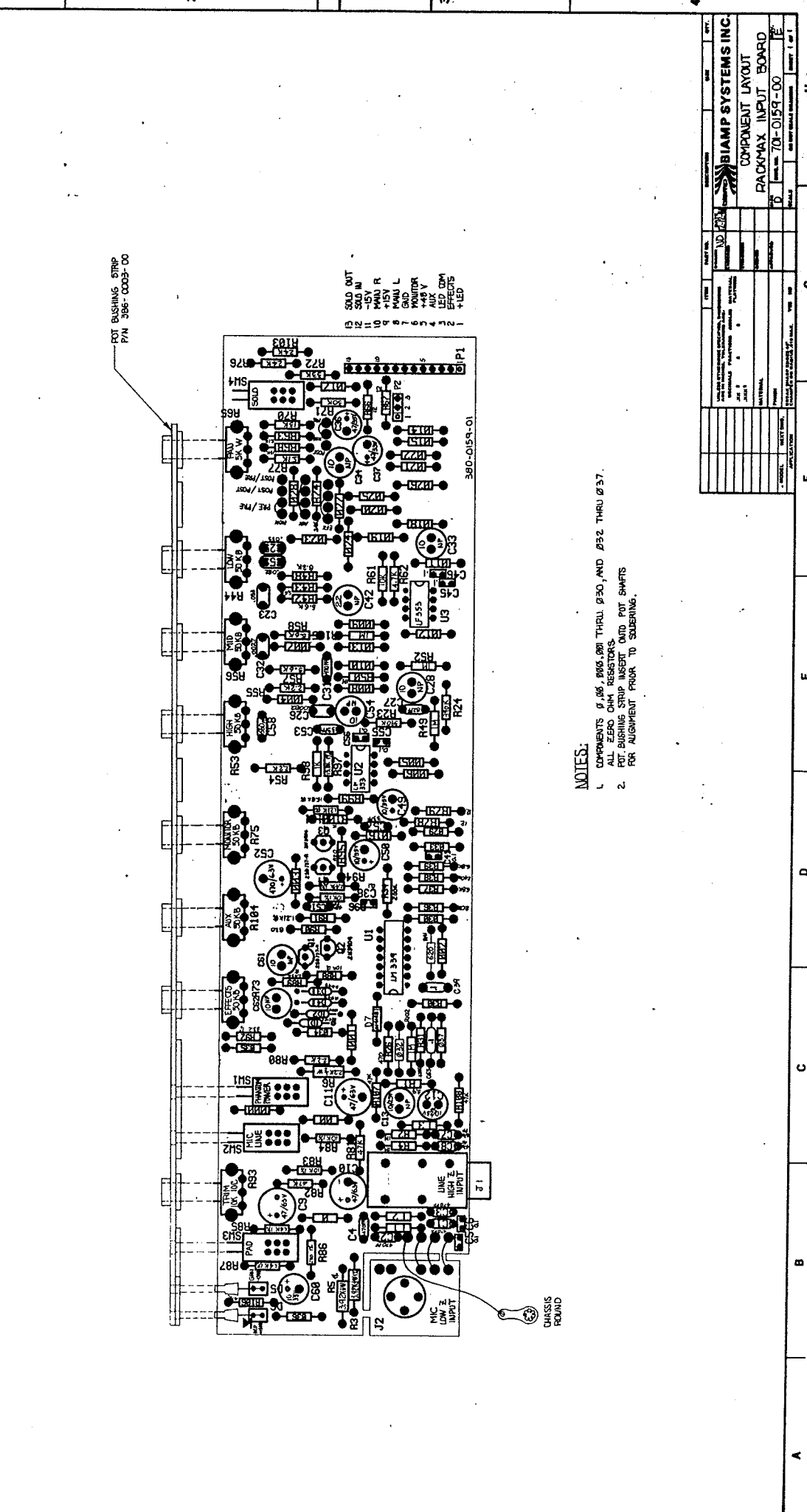
Schematic

B I A M P[®]

S Y S T E M S

REV.	DATE	BY	CHKD.	DESCRIPTION
001	01-07-67	WEM	WEM	NEW LED CIRCUIT
002	01-07-67	WEM	WEM	REDESIGNED STRIP
003	06-14-67	WEM	WEM	IMPROVED LED CIRCUIT
004	10-2-67	WEM	WEM	REMOVED WIRE PINS
005	10-2-67	WEM	WEM	REMOVED WIRE PINS

A B C D E F G H



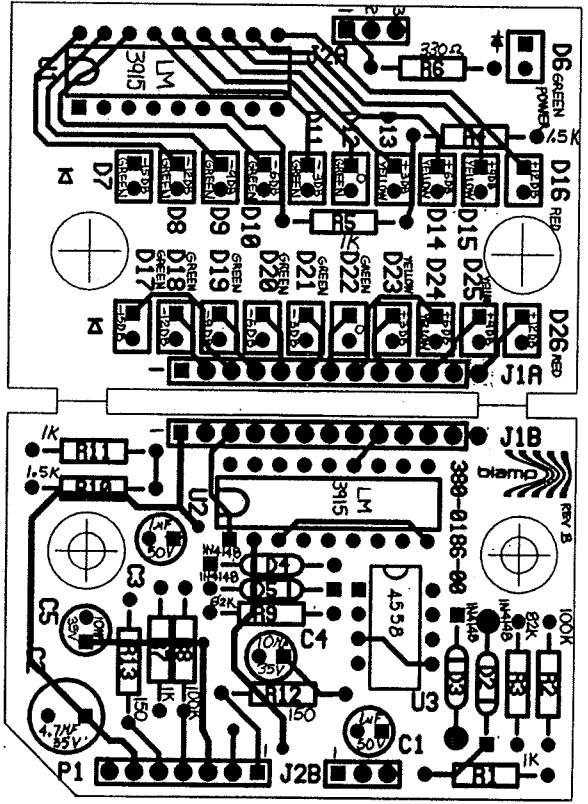
- NOTES:
- COMPONENTS $\pm 1\%$, $\pm 5\%$, $\pm 10\%$ THRU $\pm 50\%$, AND $\pm 52\%$ THRU $\pm 100\%$.
 - RESISTORS AND POT. SHIFTS TO BE MOUNTED ON POT. SHIFTS FOR ALIGNMENT PRIOR TO SOLDERING.

REV.	DATE	BY	CHKD.	DESCRIPTION
001	01-07-67	WEM	WEM	NEW LED CIRCUIT
002	01-07-67	WEM	WEM	REDESIGNED STRIP
003	06-14-67	WEM	WEM	IMPROVED LED CIRCUIT
004	10-2-67	WEM	WEM	REMOVED WIRE PINS
005	10-2-67	WEM	WEM	REMOVED WIRE PINS

A B C D E F G H

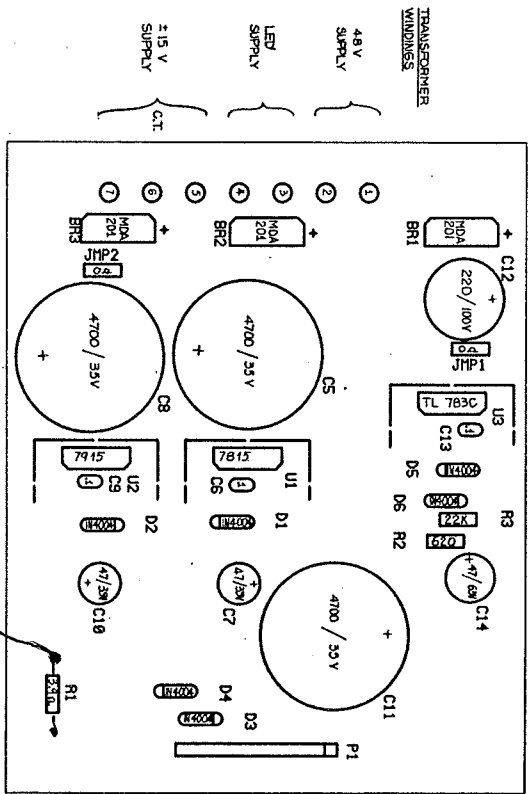
BIAMP SYSTEMS INC.
COMPONENT LAYOUT
RACKMAX INPUT BOARD

DATE: 01-07-67
 DRAWN BY: WEM
 CHECKED BY: WEM
 PART NO.: 70-0159-00
 REV: 001



ITEM		PART NO.		DATE		DESCRIPTION		SIZE		QTY.	
		DRAWN	ND	12/23/86	BIAMP SYSTEMS INC.		COMPONENT LAYOUT				
		CHECKED			RACKMAX BARGRAPH BOARD						
UNLESS OTHERWISE SPECIFIED, DIMENSIONS ARE IN INCHES. TOLERANCES ARE DECIMALS FRACTIONS ANGLES MATERIAL FINISHNESS .XX ± .XXX ±		ENGINEER									
MATERIAL		DESIGN									
FINISH		APPROVED									
MODEL	NEXT DWG.	BREAK SHARP EDGES 45° CHAMFER ON RADII .015 MAX.		YES	NO						
APPLICATION											

E F G H



Back wire from
IDR Board Pin 5
(IDR option)

- P1. PHOOUT
- 1. +LED.
- 2. EFFECTS.
- 3. LED DM.
- 4. AUX.
- 5. +4.8V.
- 6. MONITOR.
- 7. GND.
- 8. MAINV L.
- 9. +15V.
- 10. MAINV R.
- 11. -15V.
- 12. SOLID IN.
- 13. SOLID OUT.

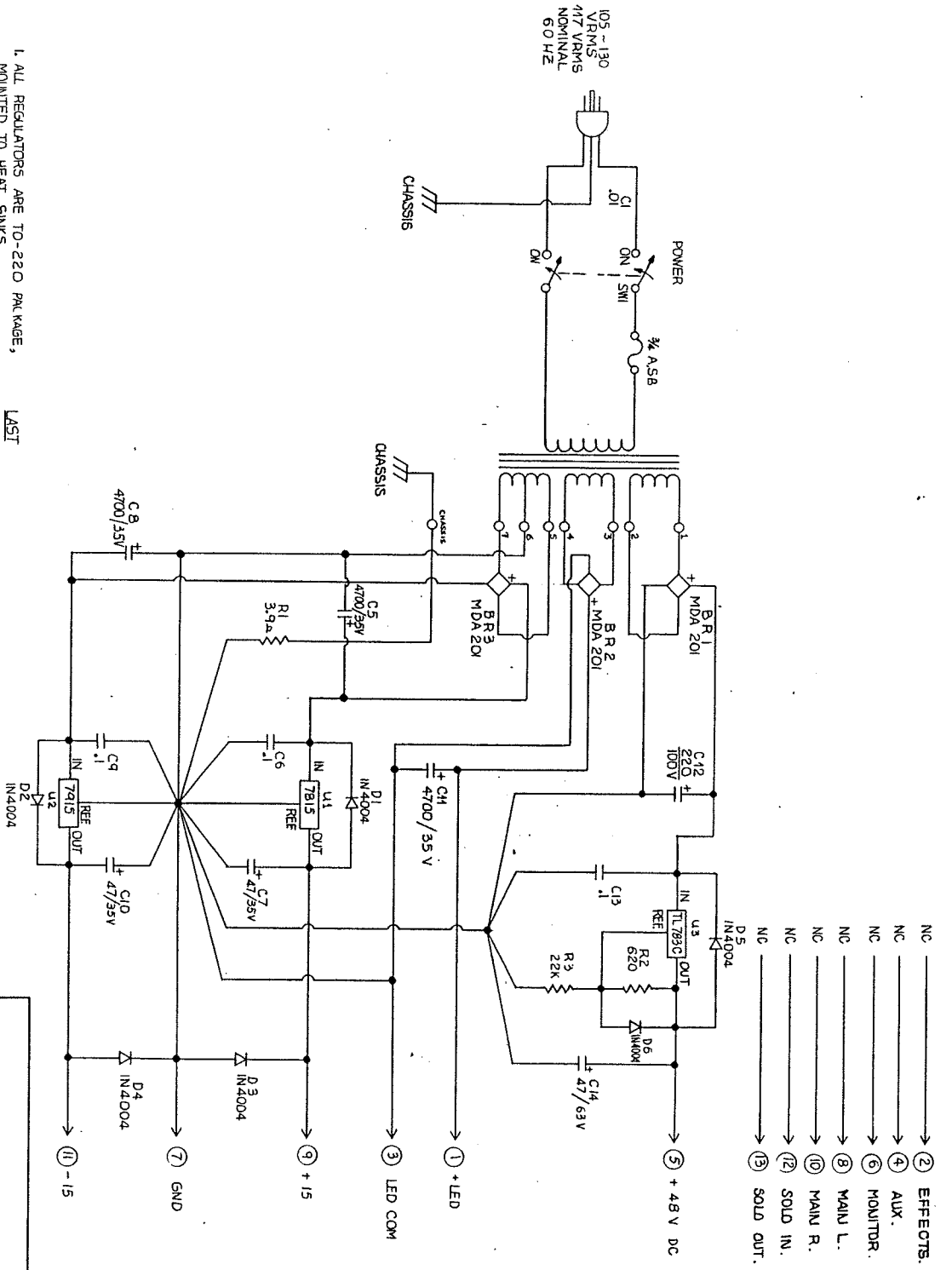
REV.	DATE	DESCRIPTION	BY	CHK
1		COMPONENT LAYOUT		
2		POWER SUPPLY		
3				
4				
5				
6				
7				
8				
9				
10				
11				
12				
13				
14				
15				
16				
17				
18				
19				
20				
21				
22				
23				
24				
25				
26				
27				
28				
29				
30				
31				
32				
33				
34				
35				
36				
37				
38				
39				
40				
41				
42				
43				
44				
45				
46				
47				
48				
49				
50				

SIAMP SYSTEMS INC.
COMPONENT LAYOUT
POWER SUPPLY

NOTES:

1. ALL REGULATORS ARE TO-220 PACKAGE,
MOUNTED TO HEAT SINKS.

LAST	2
R	3
C	4
D	6
DI	1
BR	2

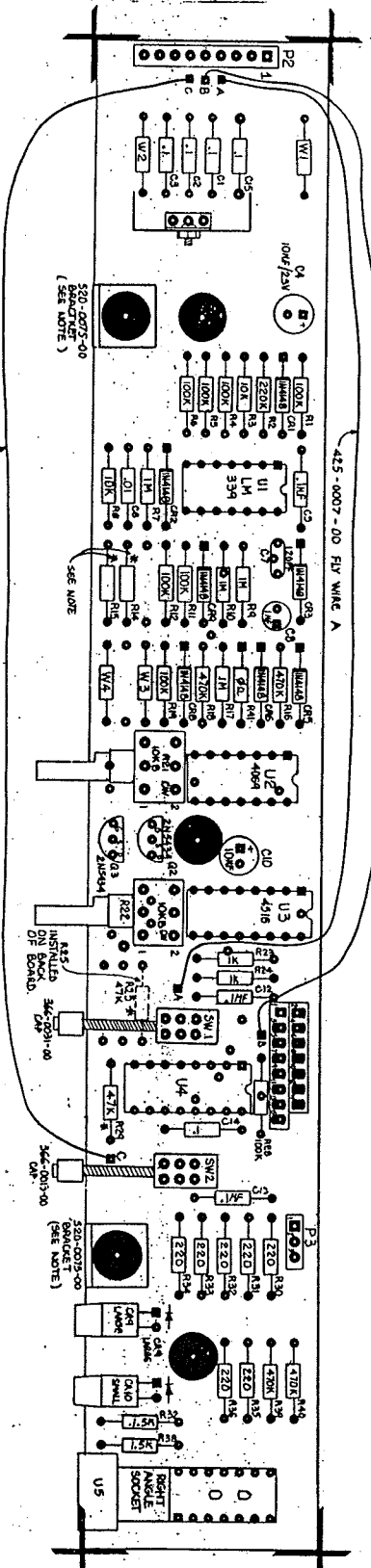


DATE	8-86	REV	1
BY	ND	CHK	ND
APP		DATE	
SCHEMATIC POWER SUPPLY RACKMAX - 16			
700-0163-00			

(3)

REDUCE TO 10.000"

REDUCE TO 3.500"



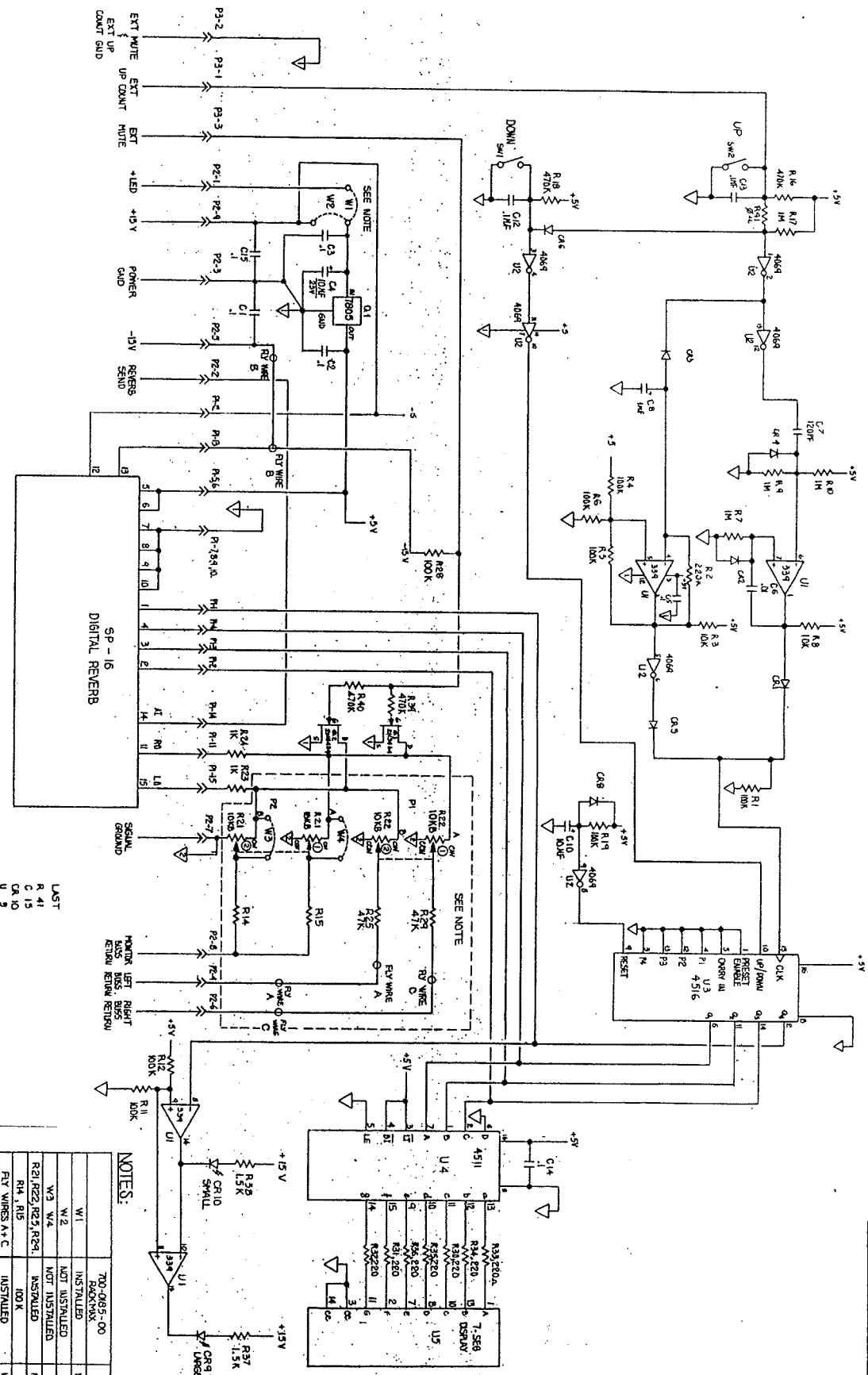
W1	701-0185-00 RACKMAX	701-0186-00 24 QPM
W2	NOT INSTALLED	NOT INSTALLED
W3	NOT INSTALLED	NOT INSTALLED
W4	NOT INSTALLED	NOT INSTALLED
R21 R22 R23 R24	INSTALLED	NOT INSTALLED
* R14 R15	100K	O.A.
RY WIRE A+C	INSTALLED	NOT INSTALLED
500-0075-00 BRACKET	NOT INSTALLED	INSTALLED

BIAMP SYSTEMS INC. REV 3

2/1
2-12-87
ND

COMPONENT LAYOUT DIGITAL REVERSE
CONTROL BOARD FOR RACKMAX 4 QPM

701-0185-00
701-0186-00

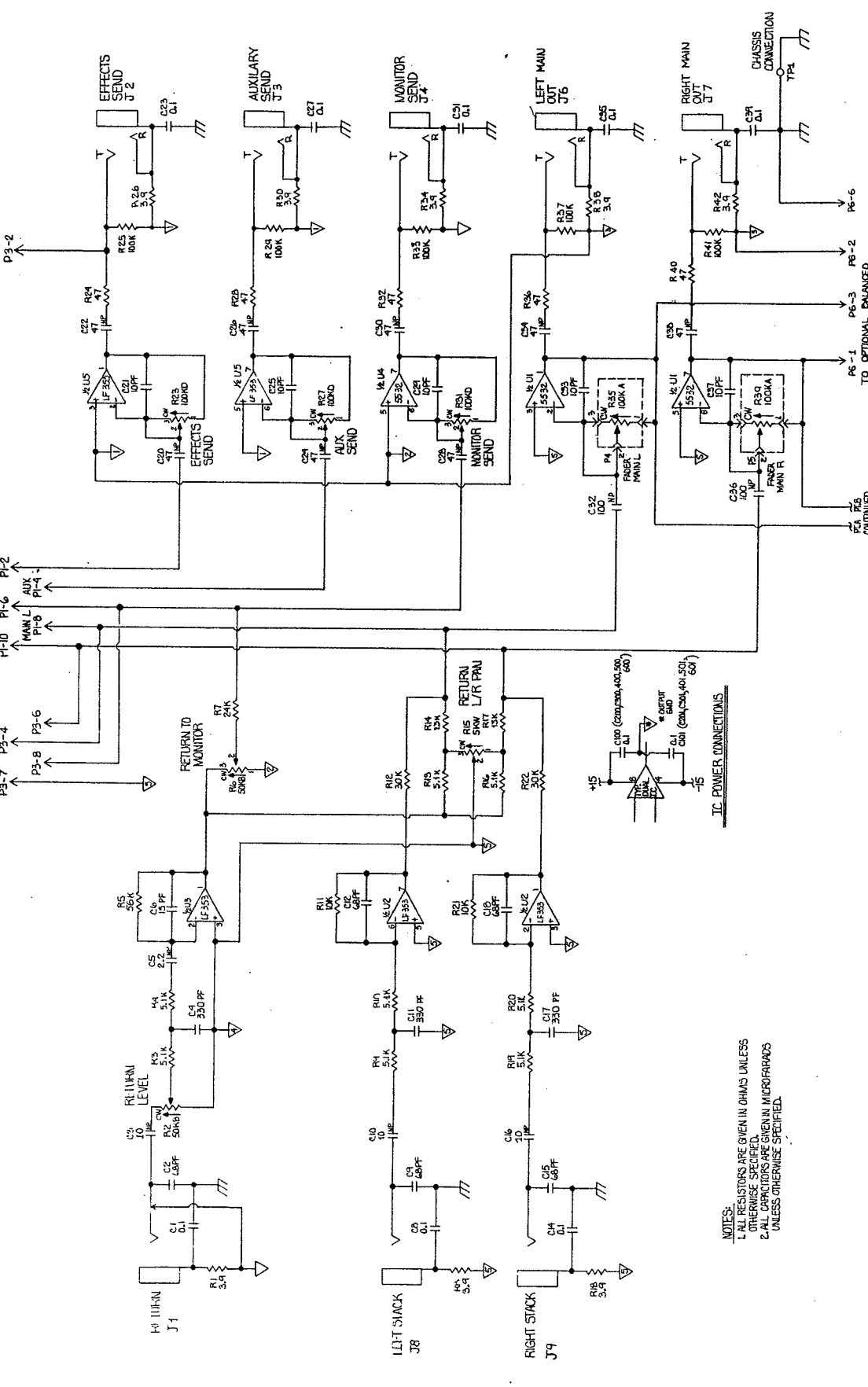


NOTES:

W1	700-0685-00	700-0186-00
W2	INSTALLED	24 Q1PA
W3	NOT INSTALLED	INSTALLED
W4	NOT INSTALLED	INSTALLED
R1, R22, R23, R24	INSTALLED	NOT INSTALLED
R4, R15	100K	Q2
FET WIRES A+C	INSTALLED	NOT INSTALLED

Blampkin BLAMPKIN SYSTEMS, INC. 1000 W. 10th Street P.O. Box 1000 Lincoln, Nebraska 68501		MODEL NO. 700-0685-00 REV. 02-82
DATE	02/82	REV. 02-82
DESIGNED BY	W. J. BLAMPKIN	DATE
CHECKED BY	W. J. BLAMPKIN	DATE
APPROVED BY	W. J. BLAMPKIN	DATE
TESTED BY	W. J. BLAMPKIN	DATE
REVISIONS	1. ORIGINAL DESIGN 2. REVISED FOR MANUFACTURE	

A
 B
 C
 D
 E
 F
 G
 H



NOTES:
 1. ALL RESISTORS ARE GIVEN IN OHMS UNLESS OTHERWISE SPECIFIED.
 2. ALL CAPACITORS ARE GIVEN IN MICROFARADS UNLESS OTHERWISE SPECIFIED.

REV	DATE	BY
001	08-19-87	MD
PROJECT: 200-0160-00 DRAWING: 200-0160-00		
DESIGNED BY	DATE	BY
MR. J. J.
CHECKED BY	DATE	BY
...
TITLE: RACKMOUNT PCB PART NO.: 200-0160-00		
SCALE	SHEET NO.	TOTAL SHEETS
1/1	1	2

