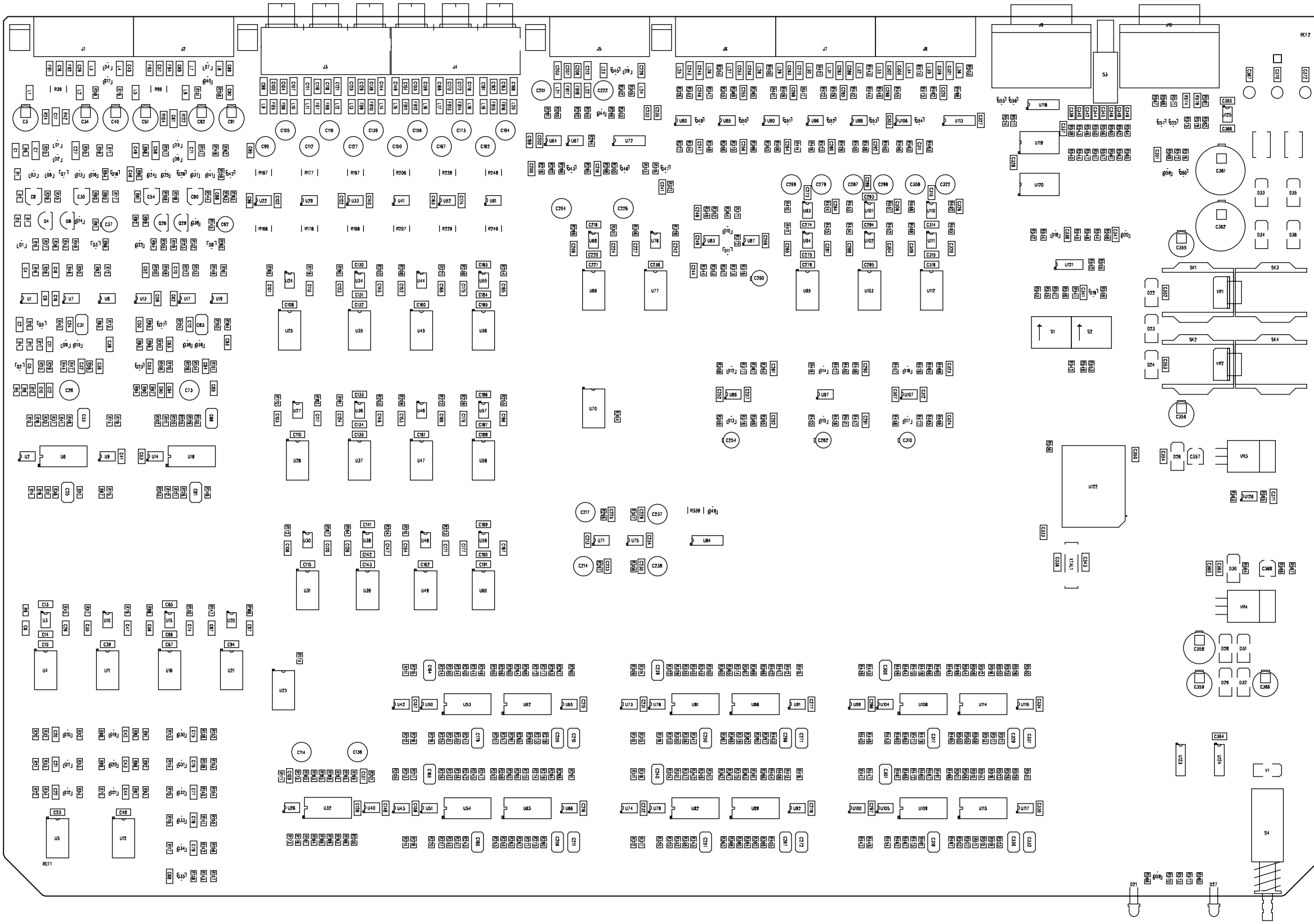


SPM723

Schematic

Released July 16, 2002

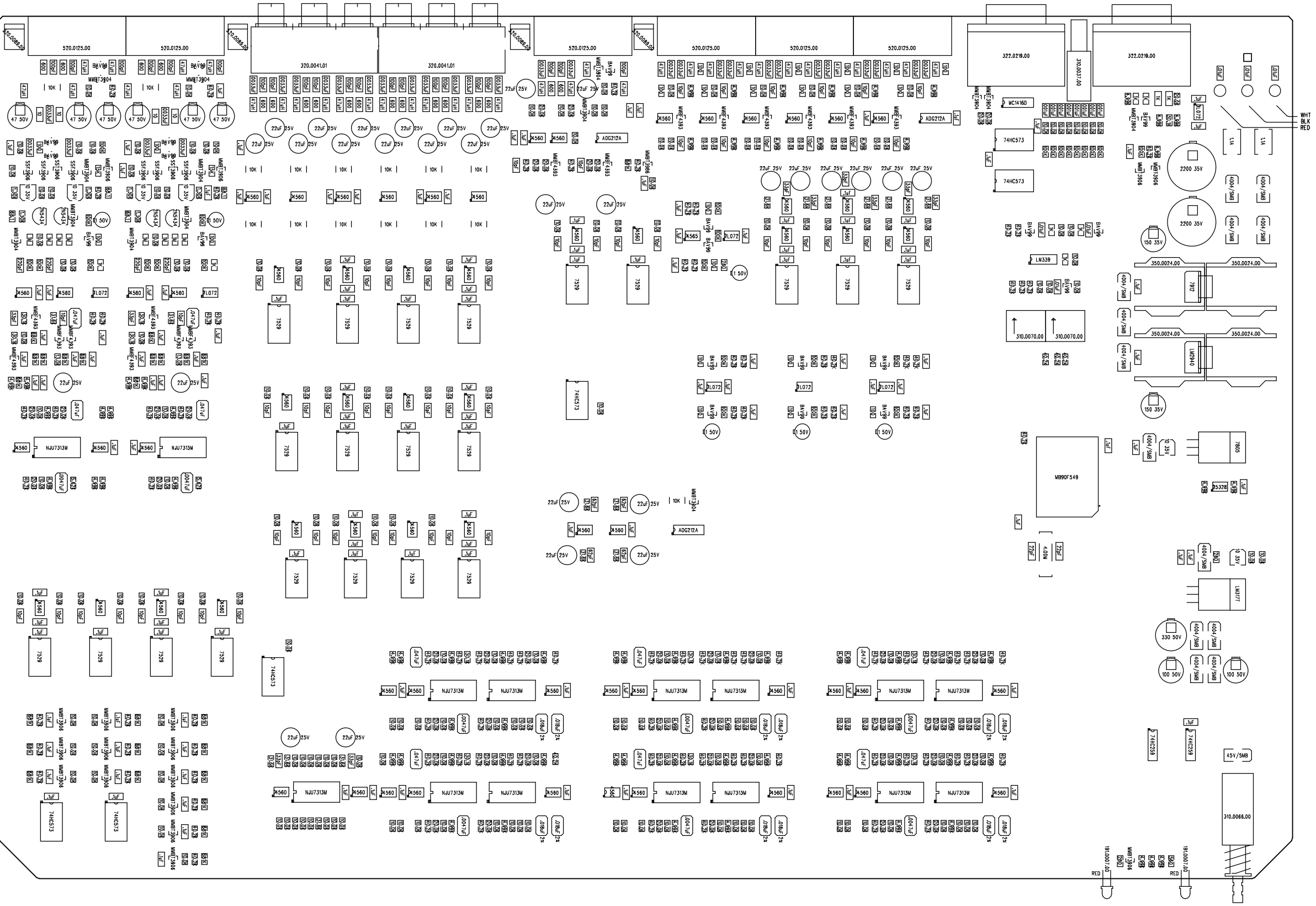
REV	ECN	DESCRIPTION	BY	DATE
A	NONE	FIRST PRODUCTION RELEASE	DB	6/6/00
A1	024-00	UB3 WAS TLO7Z	DB	7/17/00
B	038-00	RES. TYPES CHANGED - 0603 AND RES. ARRAYS	VK	01/22/01
C	061-01	REVISED GROUNDING, XTALK MODS	DB	7/24/01



BIAMP SYSTEMS, INC
10074 SW Arctic Drive
Beaverton, Oregon 97005
(503) 641-7287
380-0503-0C
SPM723

DRAWN		BIAMP SYSTEMS, INC	
CHECKED		10074 SW Arctic Drive, Beaverton OR 97005	
DESIGN	DB 5/3/00	SPM723	
APPROVED		COMPONENT LAYOUT	
DWG. NO.	701.0503.00	REV	C
		SHEET 1 OF 2	

REV	ECN	DESCRIPTION	BY	DATE



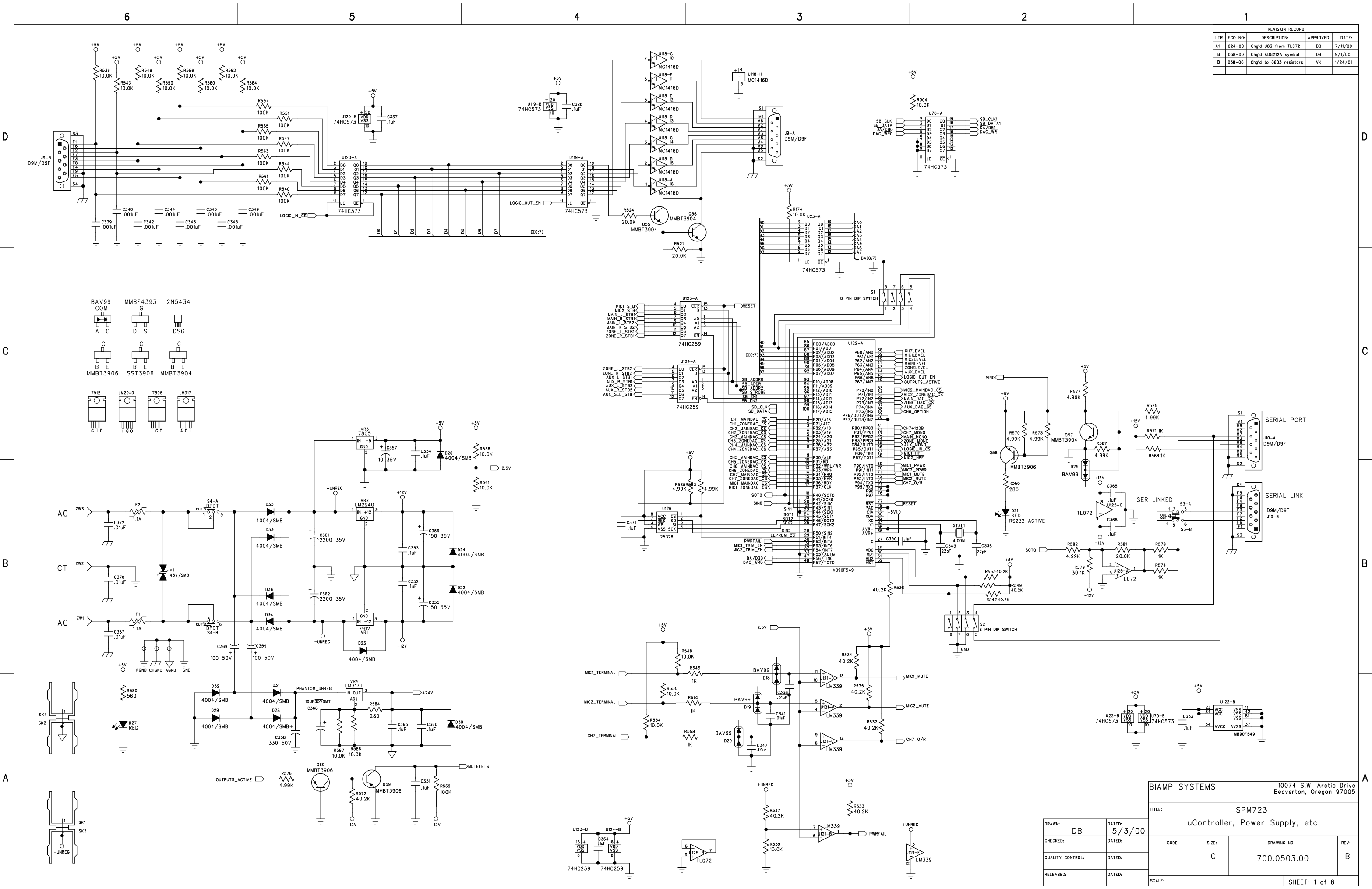
- | | |
|----------|--------|
| COM | C |
| A C | B E |
| C | G |
| MMBT3904 | DS |
| B E | |
| MMBT3906 | 2N5434 |
| B E | DSC |

BIAMP SYSTEMS, INC
 10074 SW Arctic Drive
 Beaverton, Oregon 97005
 (503) 641-7287
380-0503-0C
SPM723

Sheet 2 of 6 : Component Side

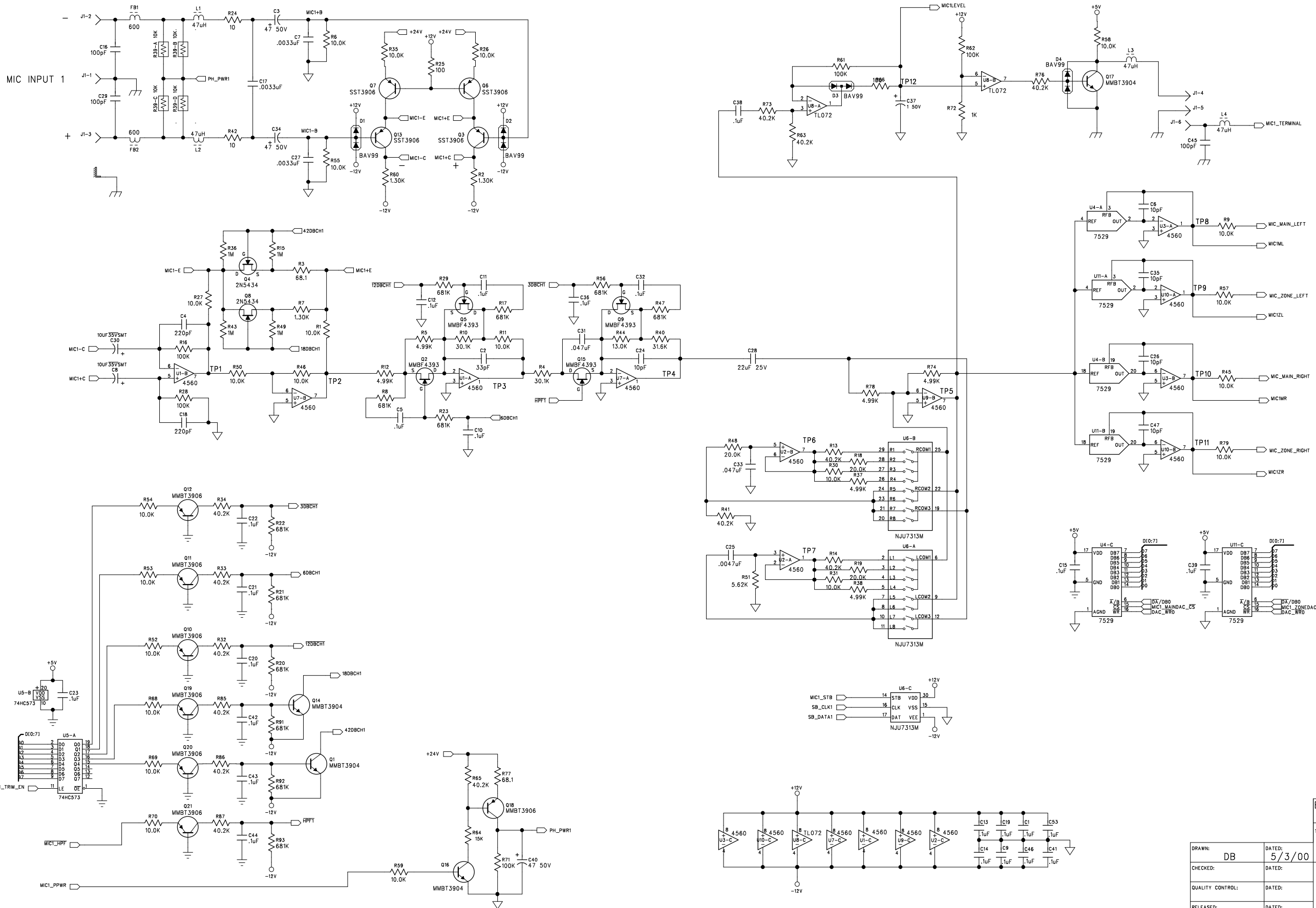
DRAWN		BIAMP SYSTEMS, INC	
CHECKED		10074 SW Arctic Drive, Beaverton OR 97005	
DESIGN	DB 5/3/00	SPM723	
APPROVED		COMPONENT LAYOUT	
DWG. NO.	701.0503.00	REV	C
		SHEET 2 OF 2	

REVISION RECORD				
LTR	ECO NO.	DESCRIPTION	APPROVED:	DATE:
A1	024-00	Chg'd U83 from TL072	DB	7/11/00
B	038-00	Chg'd ADG212A symbol	DB	9/1/00
B	038-00	Chg'd to 0603 resistors	VK	1/24/01



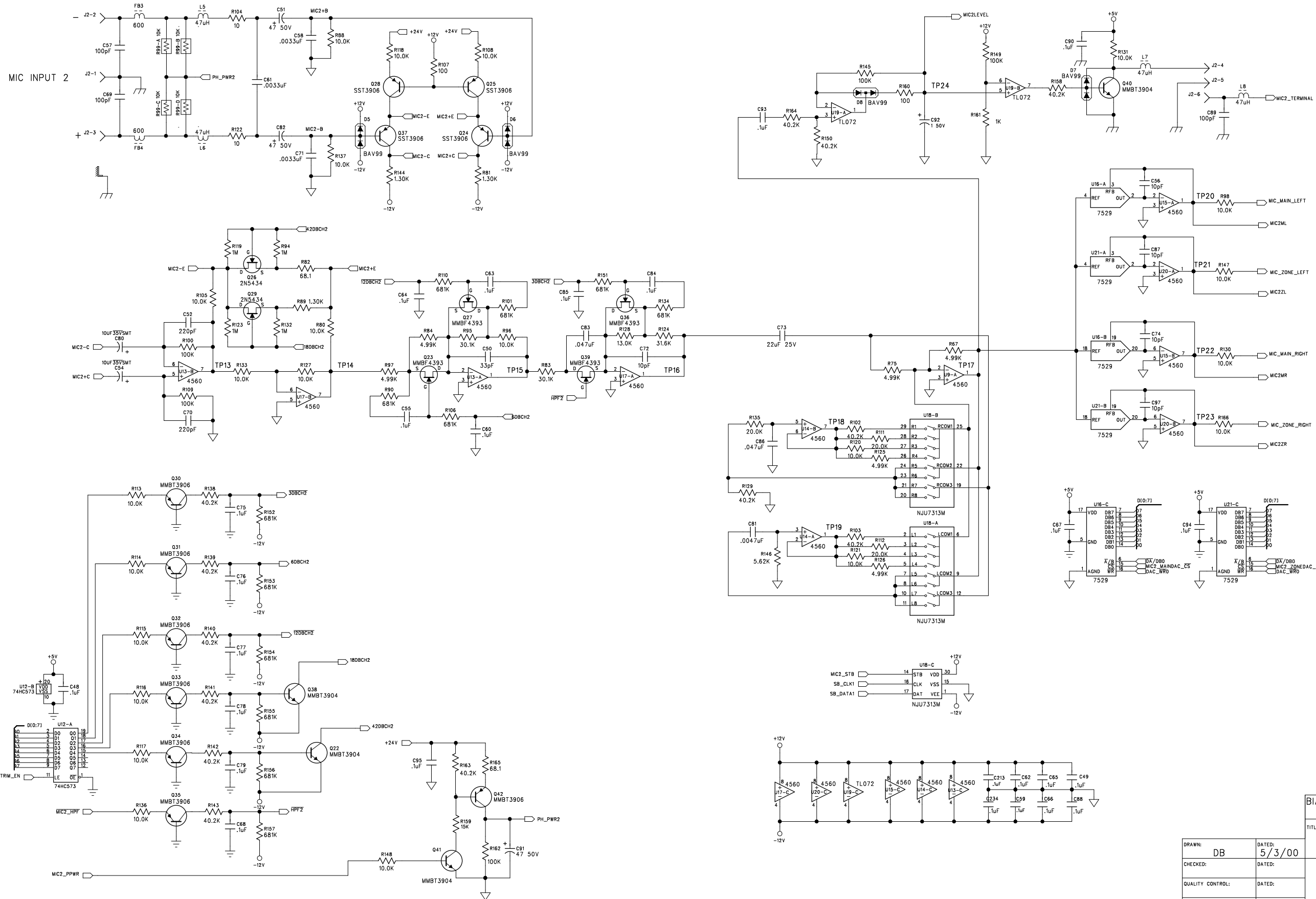
BIAMP SYSTEMS		10074 S.W. Arctic Drive Beaverton, Oregon 97005	
TITLE:		SPM723	
DRAWN: DB		DATED: 5/3/00	
CHECKED:		DATED:	
QUALITY CONTROL:		DATED:	
RELEASED:		DATED:	
CODE:	SIZE:	DRAWING NO:	REV:
C		700.0503.00	B
SCALE:		SHEET: 1 of 8	

REVISION RECORD			
LTR	ECO NO:	APPROVED:	DATE:



BIAMP SYSTEMS		10074 S.W. Arctic Drive Beaverton, Oregon 97005	
TITLE:		SPM723 MIC 1 INPUT	
DRAWN: DB	DATED: 5/3/00	CODE:	SIZE:
CHECKED:	DATED:	DRAWING NO:	REV: B
QUALITY CONTROL:	DATED:	700.0503.00	
RELEASED:	DATED:	SCALE:	SHEET: 2 of 8

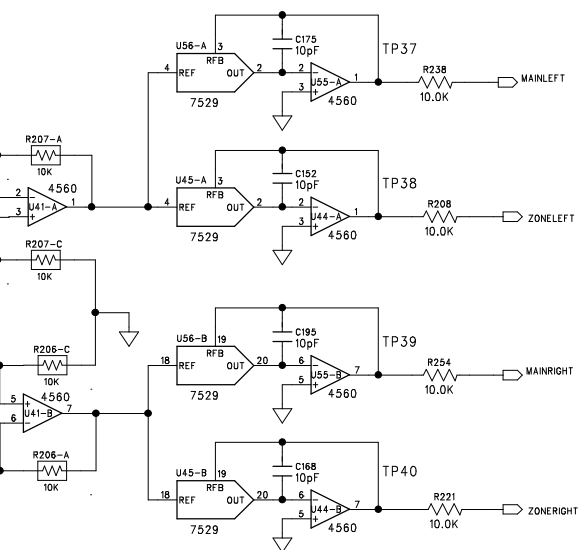
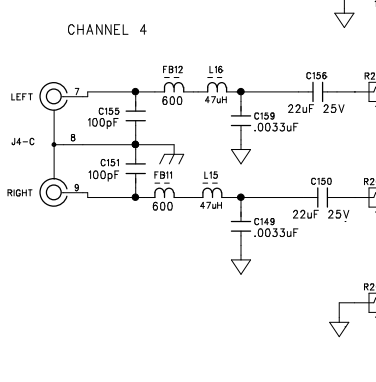
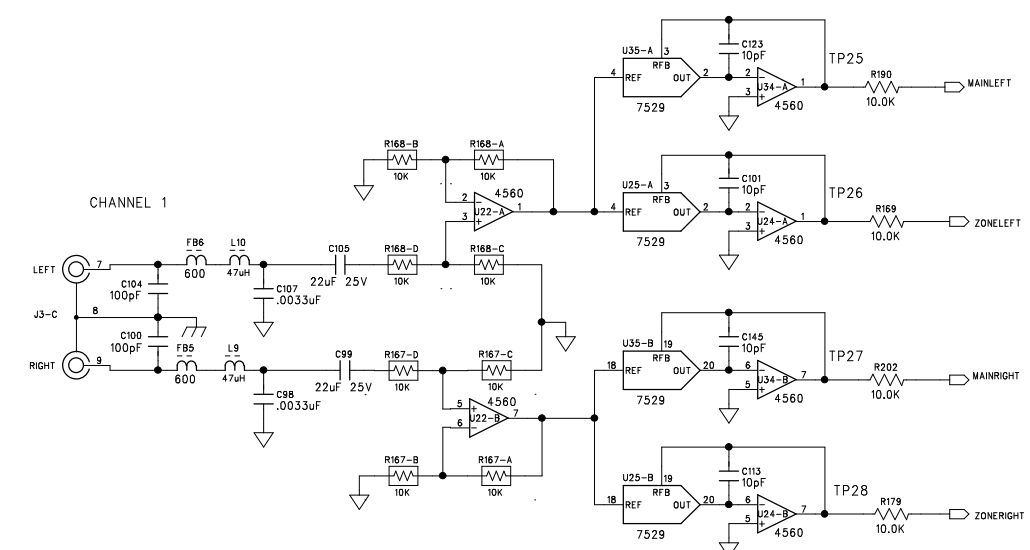
REVISION RECORD			
LTR	ECO NO:	APPROVED:	DATE:



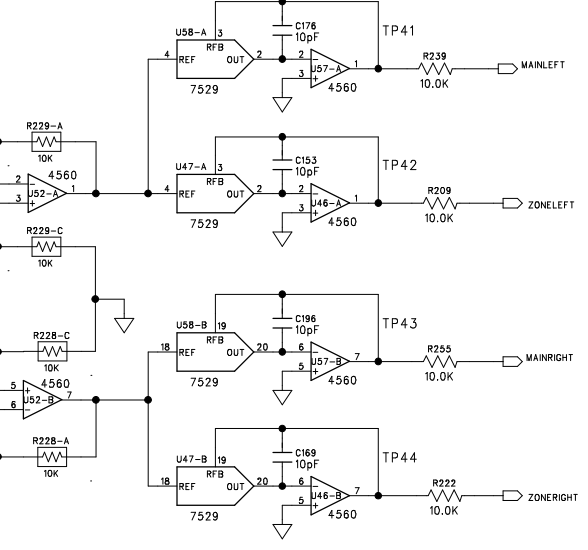
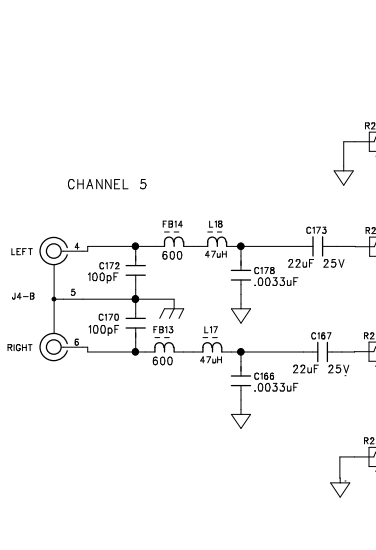
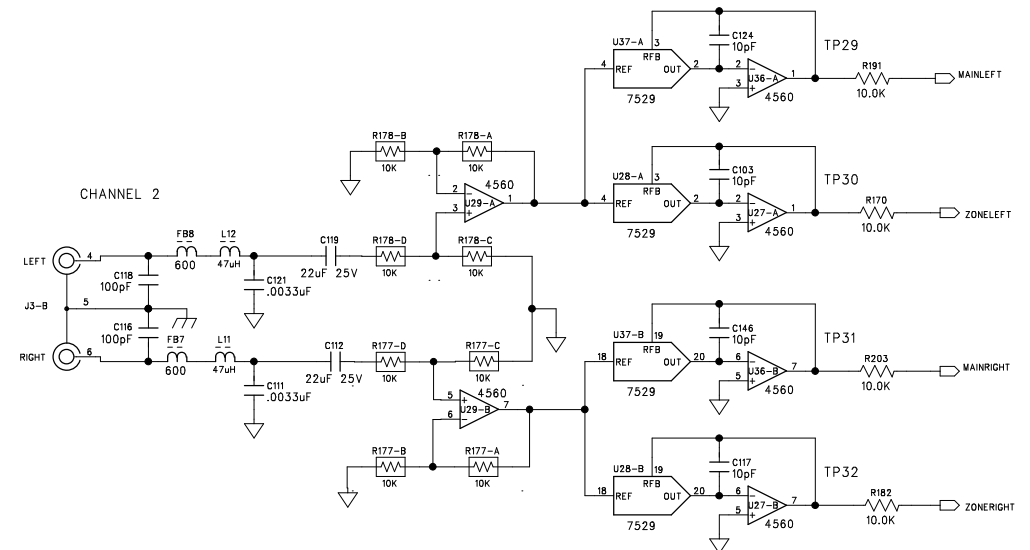
BIAMP SYSTEMS		10074 S.W. Arctic Drive Beaverton, Oregon 97005	
TITLE: SPM723 MIC 2 INPUT			
DRAWN: DB	DATED: 5/3/00	CODE: C	REV: B
CHECKED:	DATED:	DRAWING NO: 700.0503.00	REV: B
QUALITY CONTROL:	DATED:	SHEET: 3 of 8	
RELEASED:	DATED:	SCALE:	

REVISION RECORD			
LTR	ECCO NO:	APPROVED:	DATE:

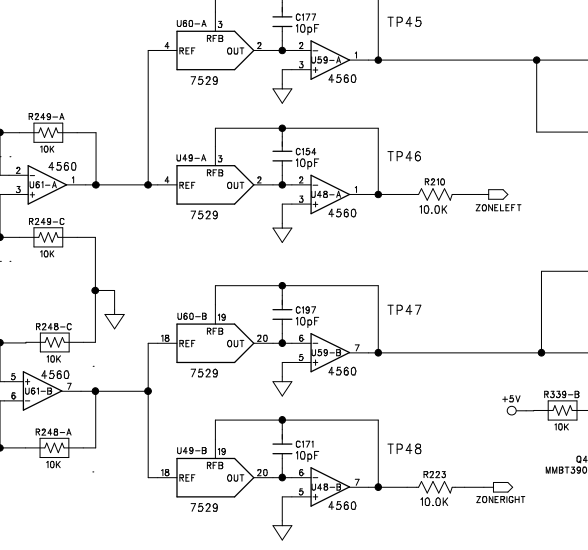
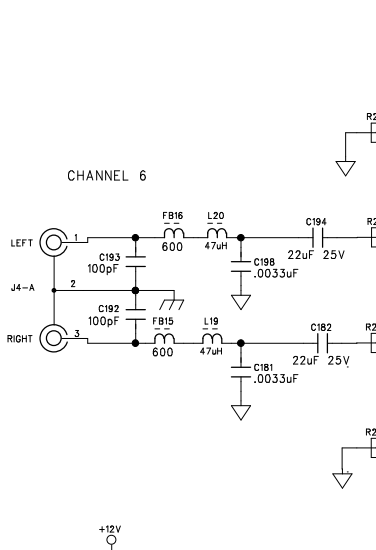
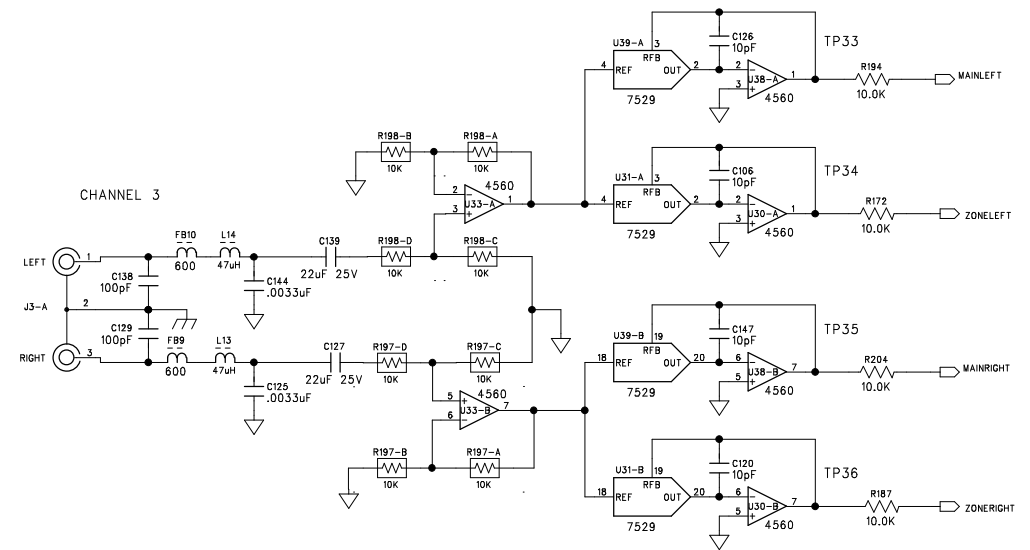
D



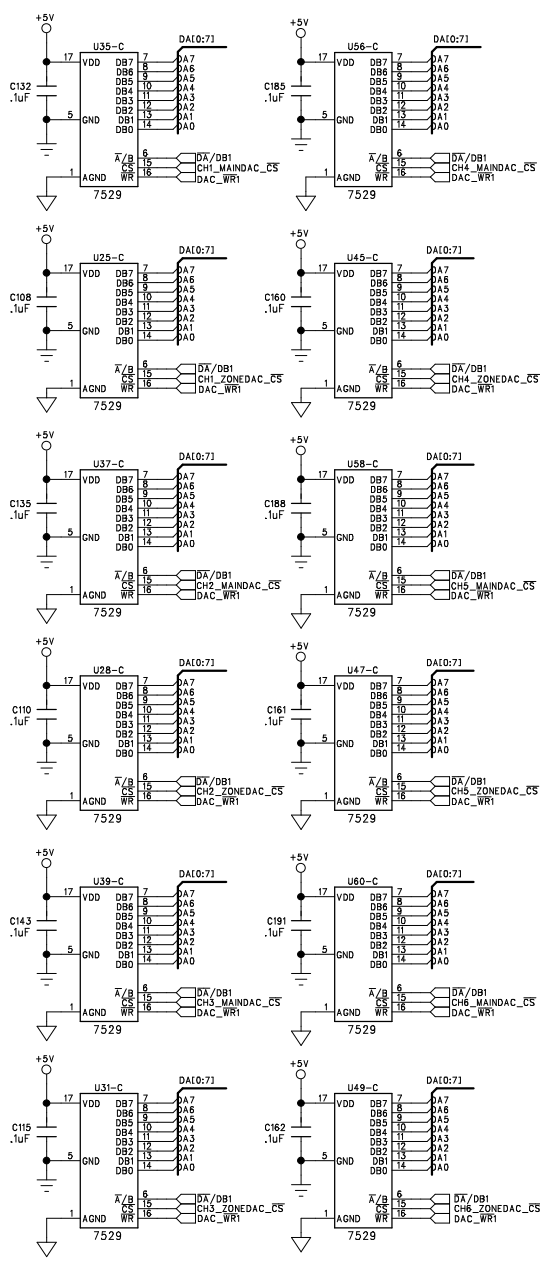
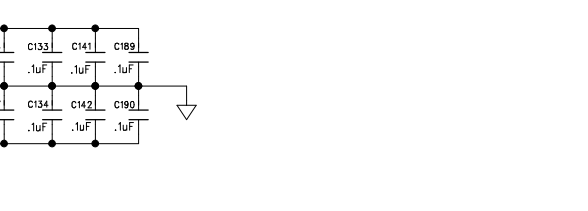
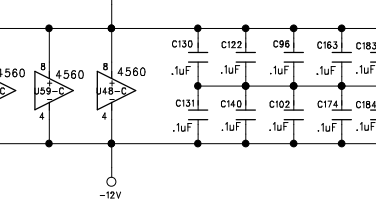
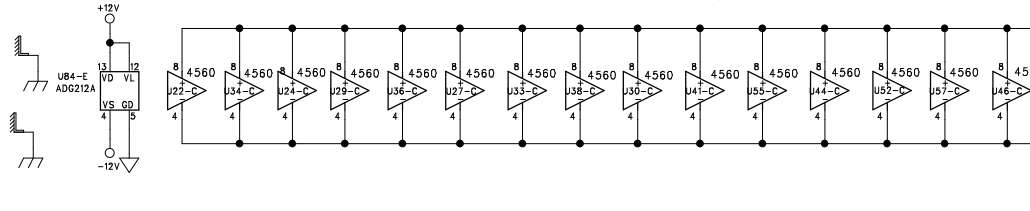
C



B



A



BIAMP SYSTEMS		10074 S.W. Arctic Drive Beverton, Oregon 97005	
TITLE: SPM723 CHANNELS 1-6			
DRAWN: DB	DATED: 5/3/00	CODE: C	SIZE: 700.0503.00
CHECKED:	DATED:	DRAWING NO:	REV: B
QUALITY CONTROL:	DATED:	SHEET: 4 of 8	
RELEASED:	DATED:		

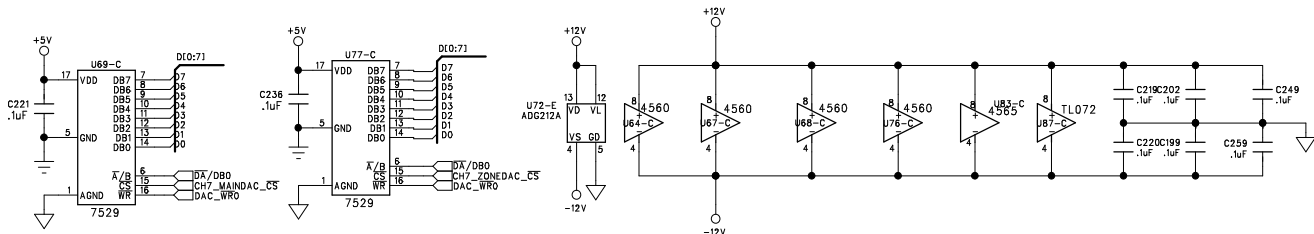
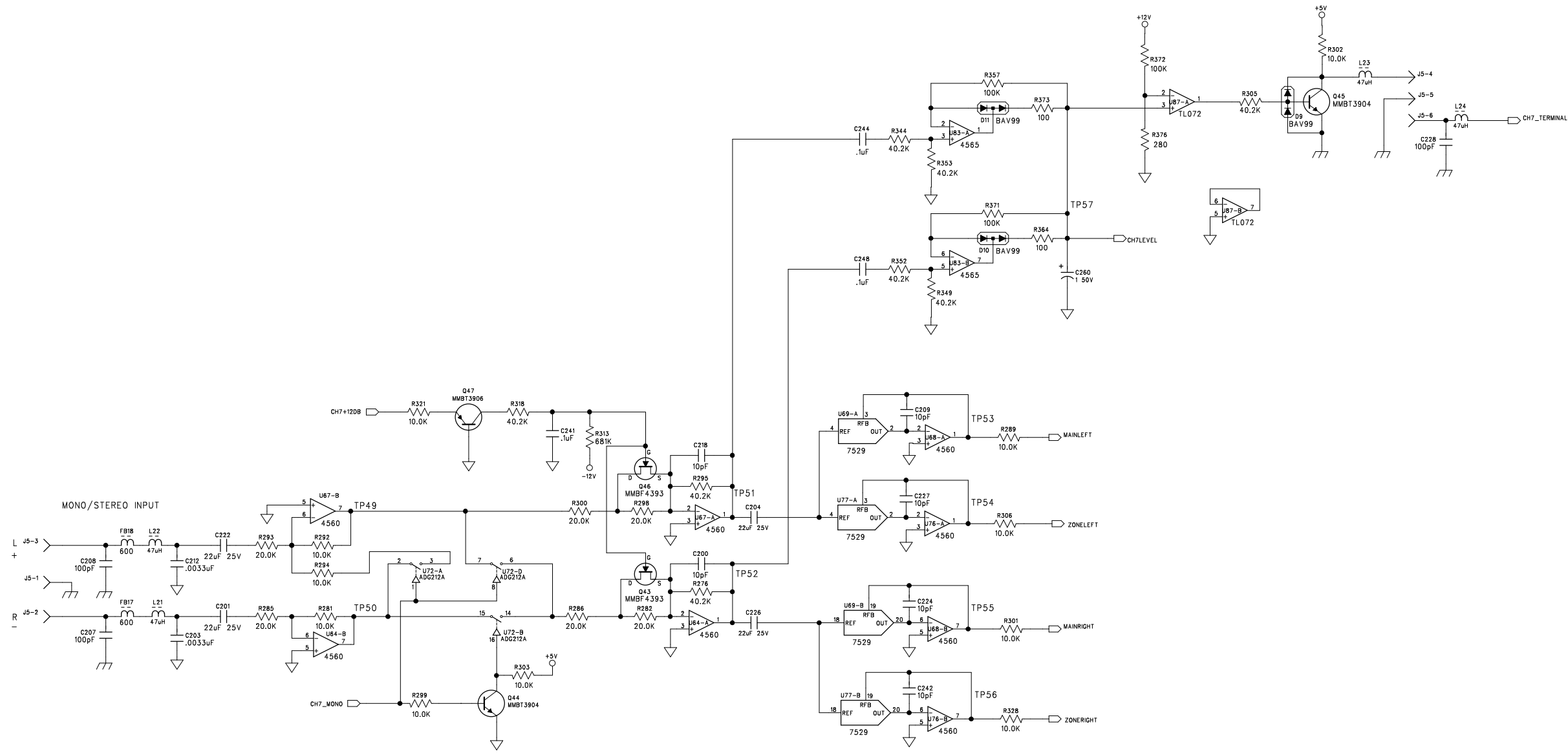
D

C

B

A

REVISION RECORD			
LTR	ECO NO:	APPROVED:	DATE:



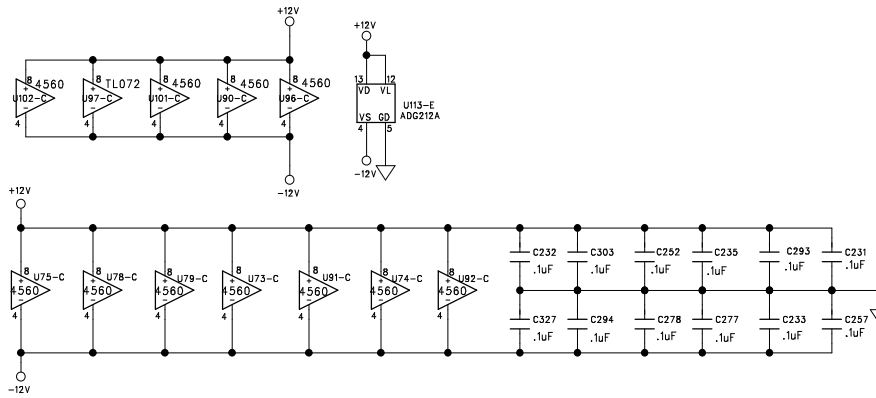
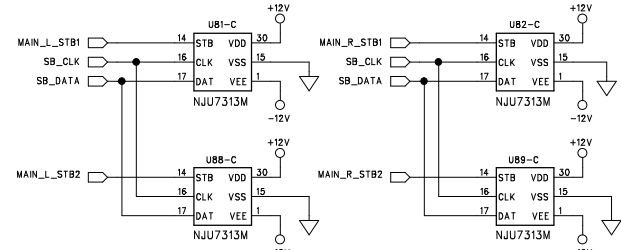
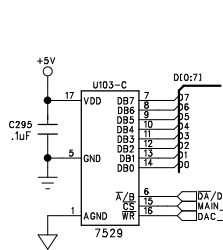
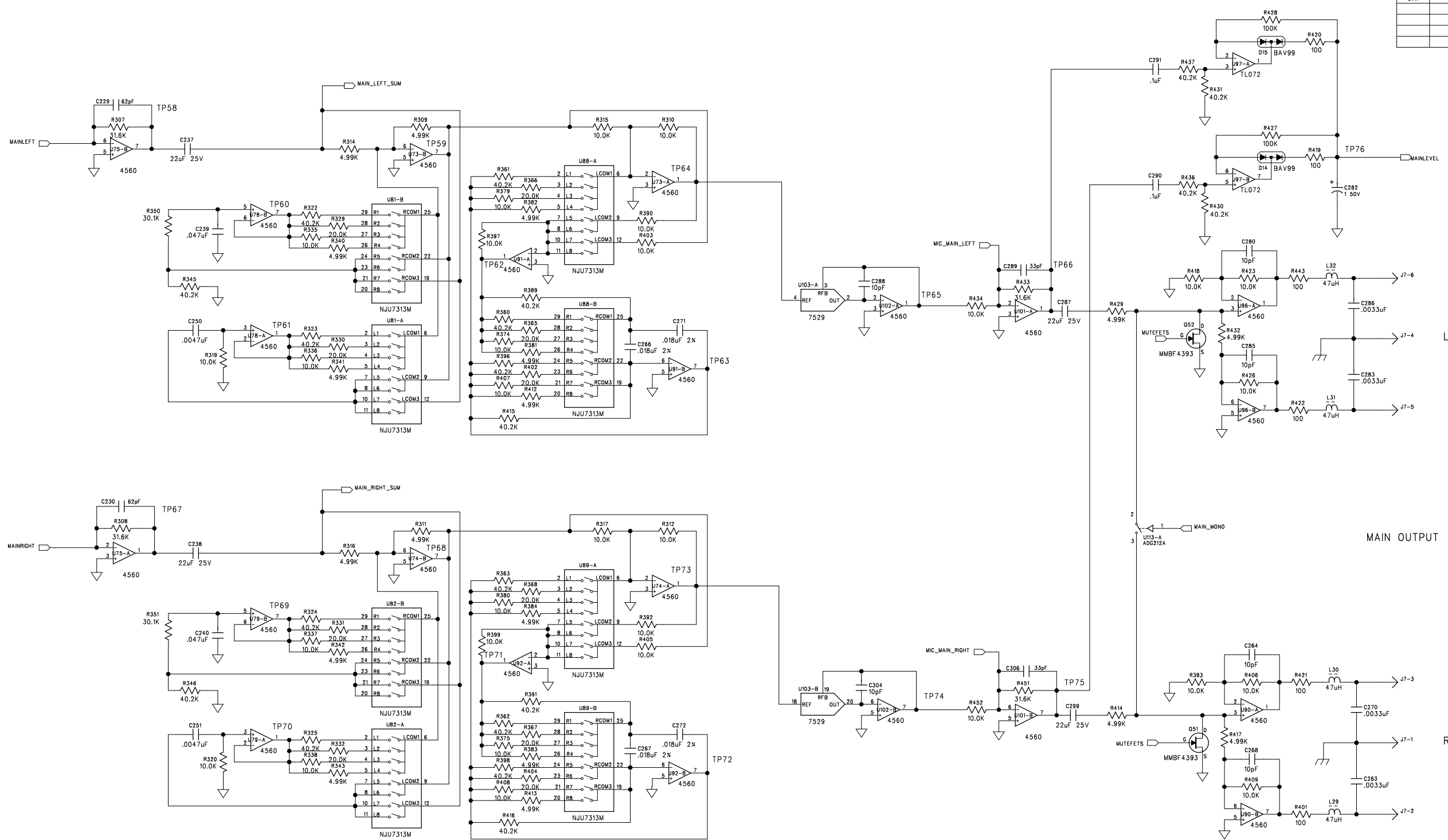
BIAMP SYSTEMS 10074 S.W. Arctic Drive
Beaverton, Oregon 97005

TITLE: SPM723
CHANNEL 7

DRAWN: DB	DATED: 5/3/00
CHECKED:	DATED:
QUALITY CONTROL:	DATED:
RELEASED:	DATED:

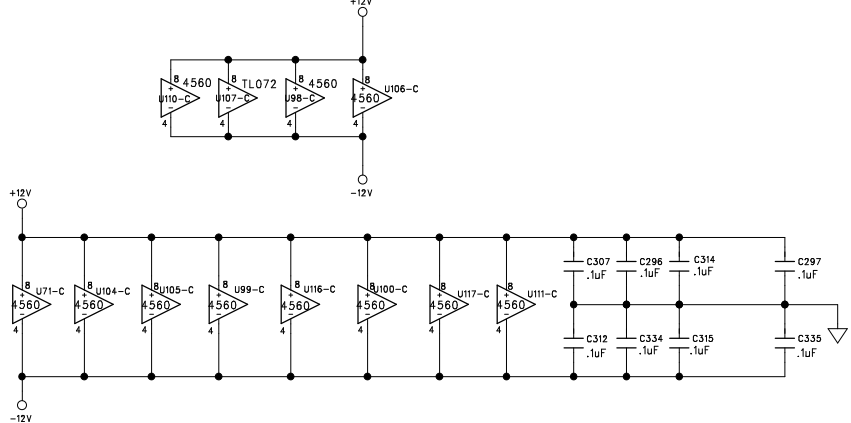
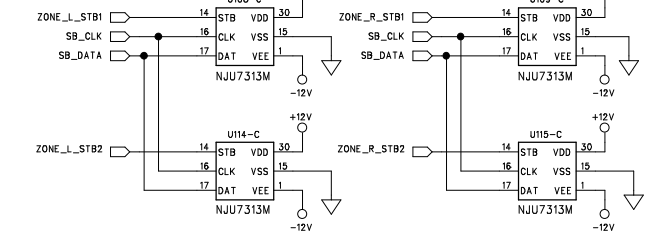
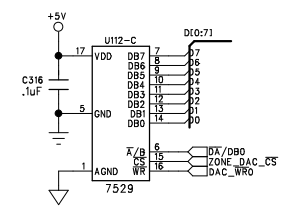
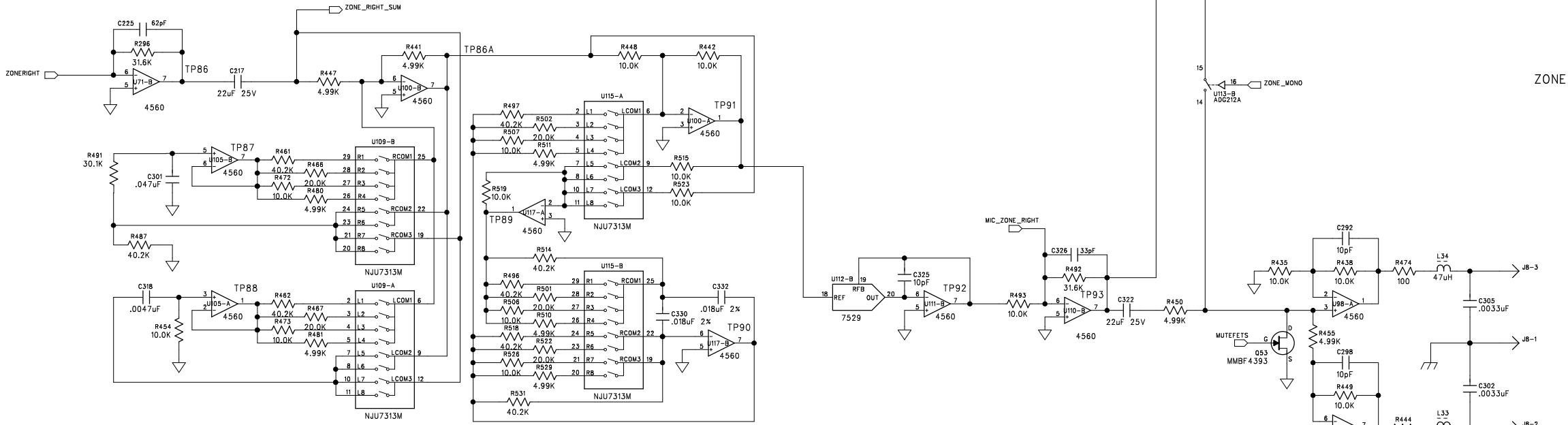
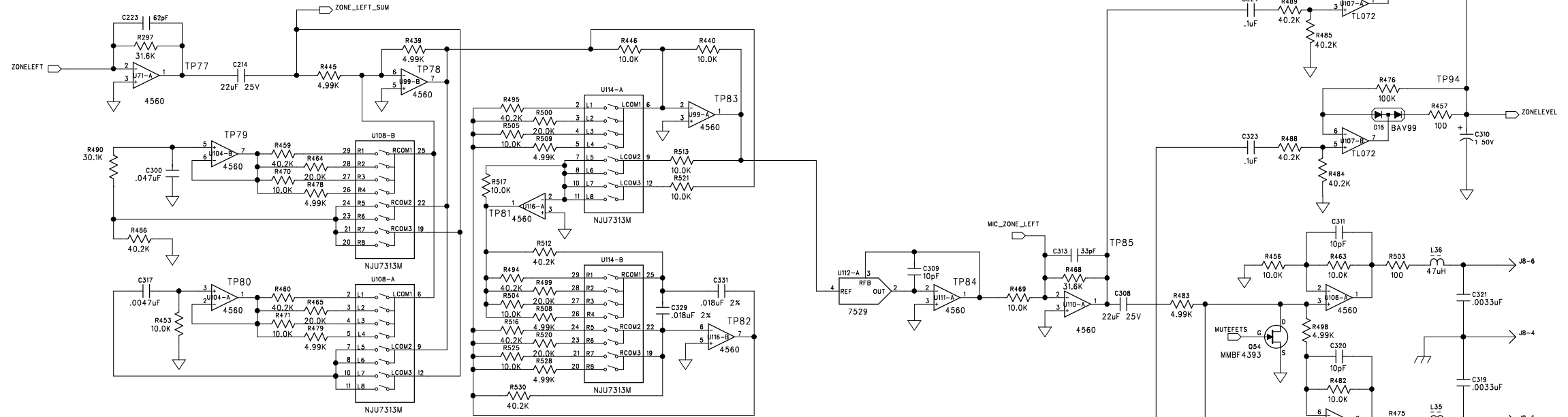
CODE: C	SIZE: 700.0503.00	DRAWING NO: 700.0503.00	REV: B
SCALE:			SHEET: 5 of 8

REVISION RECORD			
LTR	ECO NO:	APPROVED:	DATE:



BIAMP SYSTEMS		10074 S.W. Arctic Drive Beaverton, Oregon 97005	
TITLE: SPM723 MAIN OUTPUT			
DRAWN: DB	DATED: 5/3/00	CODE: C	SIZE: 700.0503.00
CHECKED:	DATED:	DRAWING NO: 700.0503.00	REV: B
QUALITY CONTROL:	DATED:	SCALE: SHEET: 6 of 8	
RELEASED:	DATED:		

REVISION RECORD			
LTR	ECO NO:	APPROVED:	DATE:



ZONE OUTPUT

BIAMP SYSTEMS		10074 S.W. Arctic Drive Beaverton, Oregon 97005	
TITLE: SPM723 ZONE OUTPUT			
DRAWN: DB	DATED: 5/3/00	CODE:	REV: B
CHECKED:	DATED:	SIZE: C	DRAWING NO: 700.0503.00
QUALITY CONTROL:	DATED:	SHEET: 7 of 8	
RELEASED:	DATED:		

6

5

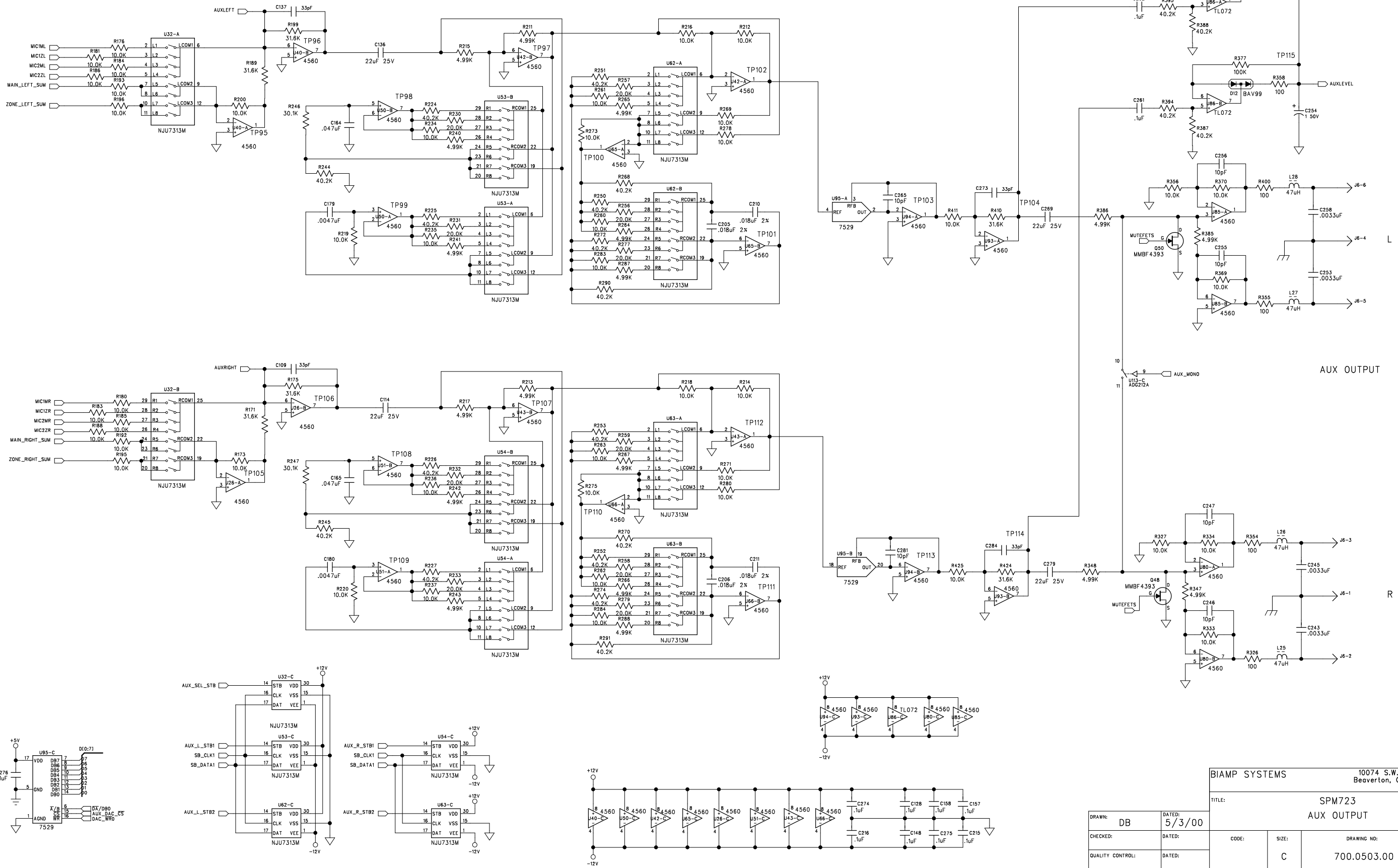
4

3

2

1

REVISION RECORD			
LTR	ECO NO:	APPROVED:	DATE:



BIAMP SYSTEMS		10074 S.W. Arctic Drive Beaverton, Oregon 97005	
TITLE:		SPM723 AUX OUTPUT	
DRAWN: DB	DATED: 5/3/00	CODE:	SIZE:
CHECKED:	DATED:	DRAWING NO:	REV:
QUALITY CONTROL:	DATED:	700.0503.00	B
RELEASED:	DATED:	SCALE:	SHEET: 8 of 8