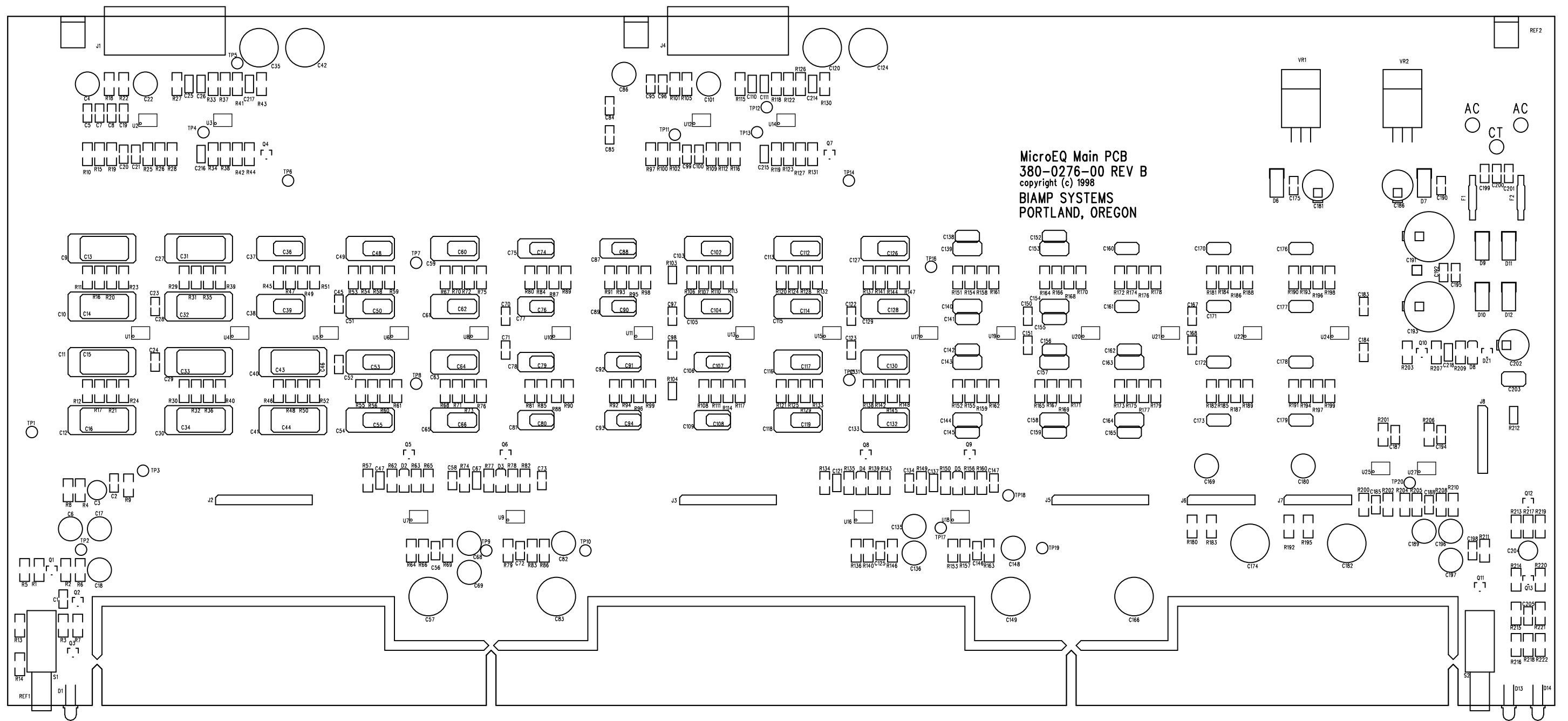


**uEQ152 &  
uEQ301**

**Schematic**

Released July 16, 2002



**MicroEQ Main PCB**  
**380-0276-00 REV B**  
 copyright (c) 1998  
**BIAMP SYSTEMS**  
**PORTLAND, OREGON**

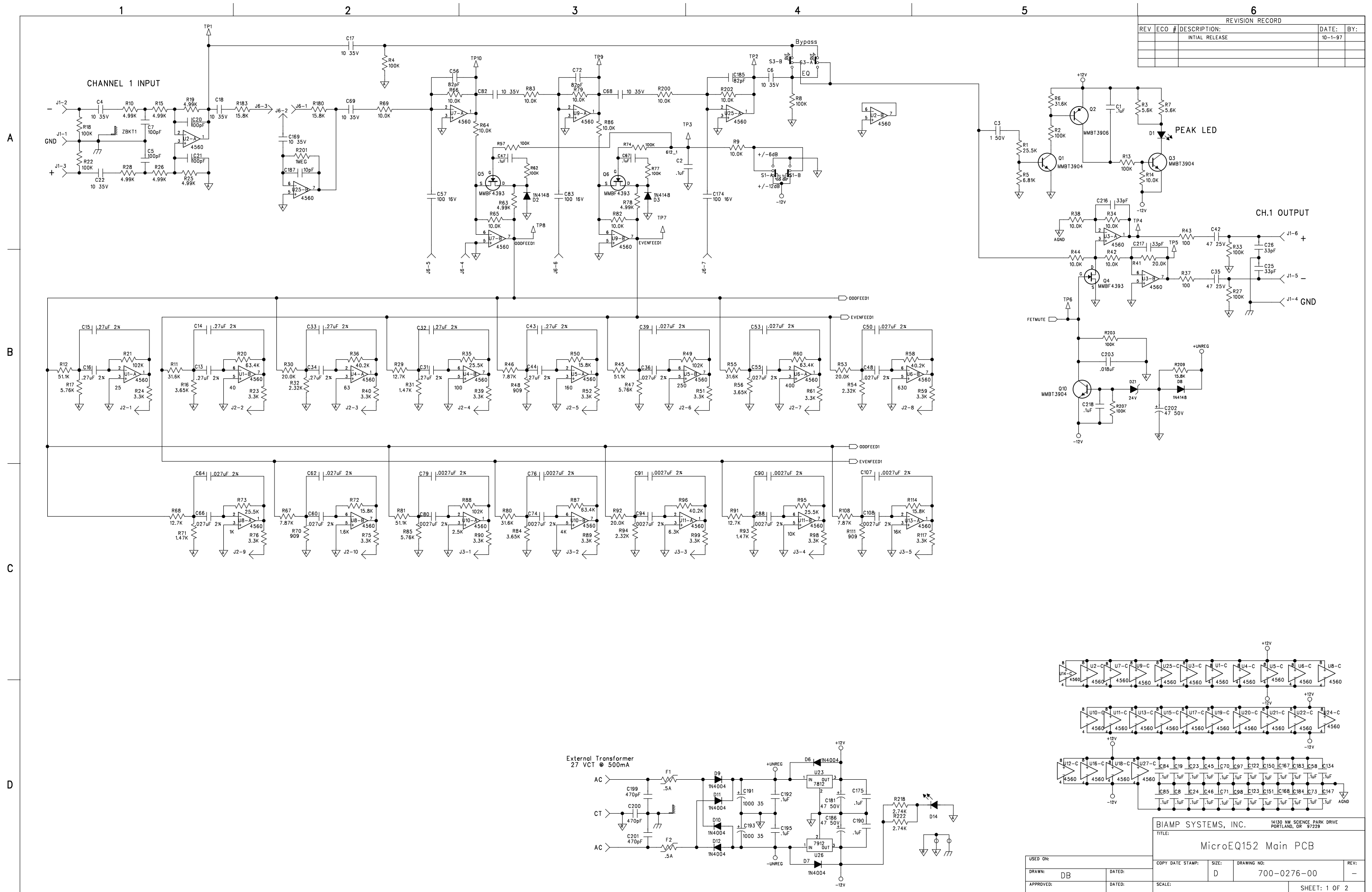
**BIAMP SYSTEMS**  
 14130 N.W. Science Park Drive  
 Portland, Oregon 97229  
 (503) 641-7287  


---

**380-0276-00 REV B**  
**mEQ Main PCB**

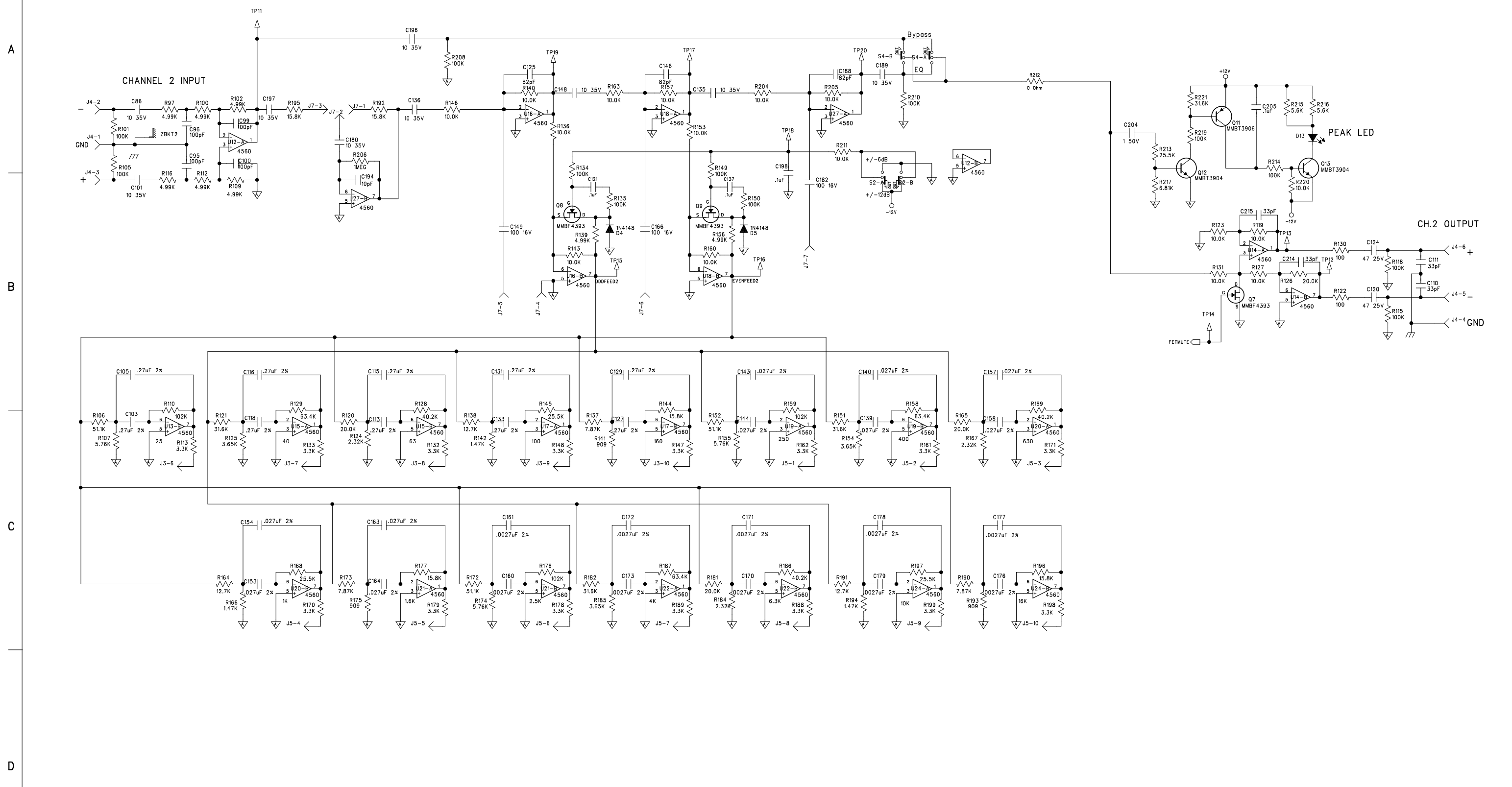
Sheet 1 of 1: Fabrication Drawing  
 Sheet 1 of 6 : Silkscreen

REVISION RECORD			
REV	ECO #	DESCRIPTION:	DATE: BY:
		INITIAL RELEASE	10-1-97



BIAMP SYSTEMS, INC.		14130 NW SCIENCE PARK DRIVE PORTLAND, OR 97229	
TITLE: MicroEQ152 Main PCB			
USED ON:	COPY DATE STAMP:	SIZE:	DRAWING NO:
DRAWN: DB	DATED:	D	700-0276-00
APPROVED:	DATED:	SCALE:	REV: -
			SHEET: 1 OF 2

REVISION RECORD				
REV	ECO #	DESCRIPTION:	DATE:	BY:



BIAMP SYSTEMS, INC. 14130 NW SCIENCE PARK DRIVE  
PORTLAND, OR 97229

TITLE: MicroEQ152 Main PCB

USED ON:	COPY DATE STAMP:	SIZE: D	DRAWING NO: 700-0276-00	REV: -
DRAWN: DB	DATED:	SCALE:	SHEET: 2 OF 2	

1

2

3

4

5

6

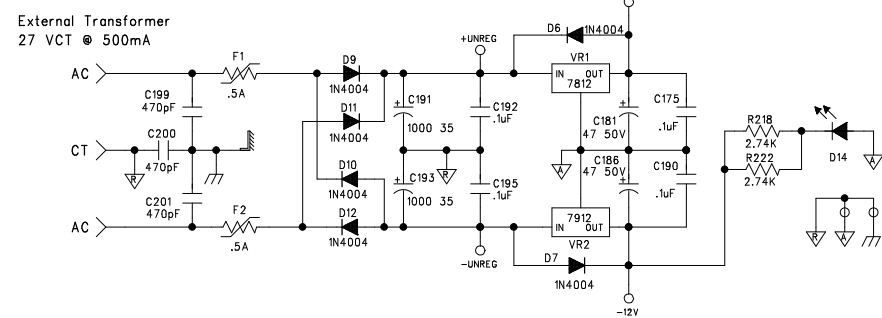
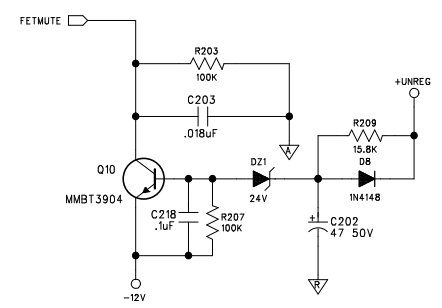
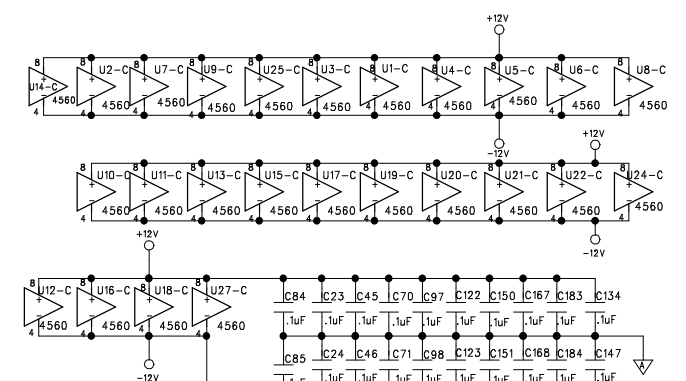
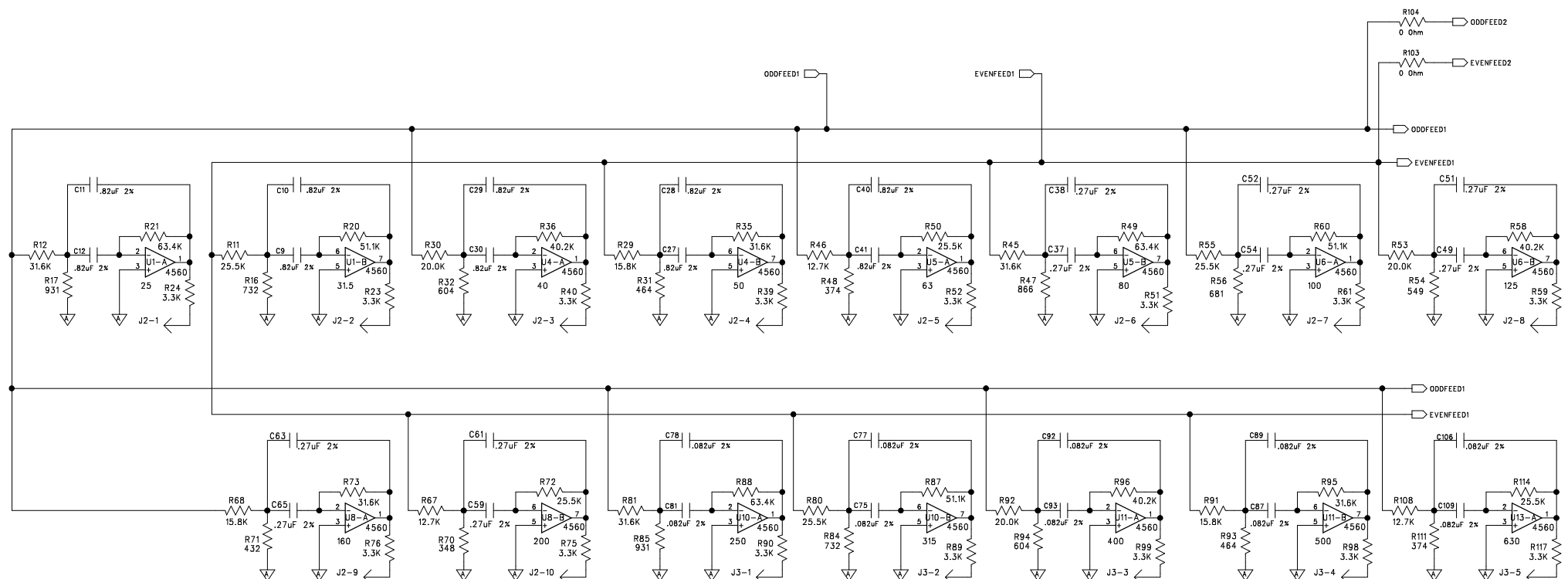
REVISION RECORD			
REV	ECO #	DESCRIPTION:	DATE: BY:

A

B

C

D

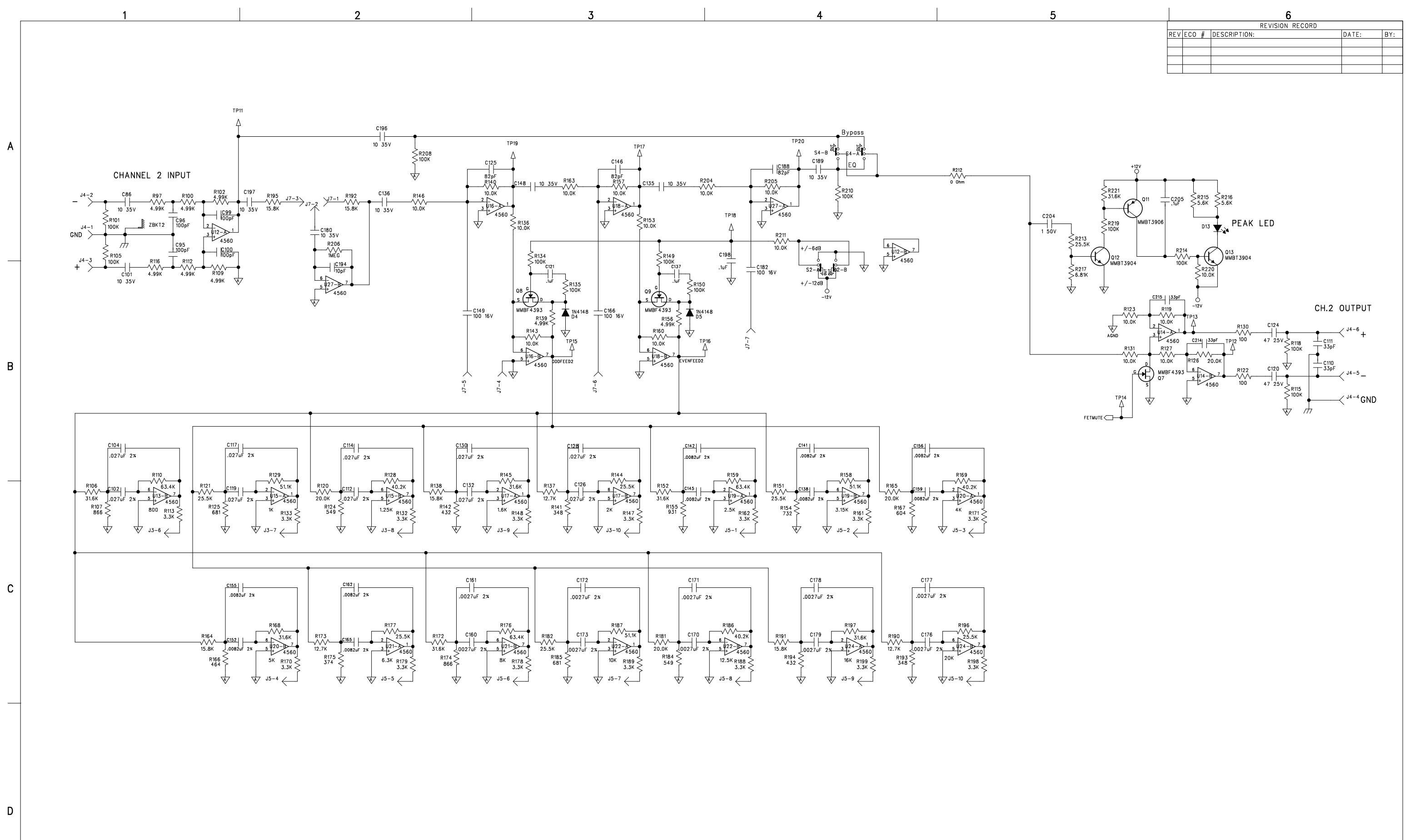


BIAMP SYSTEMS, INC. 14130 NW SCIENCE PARK DRIVE PORTLAND, OR 97229

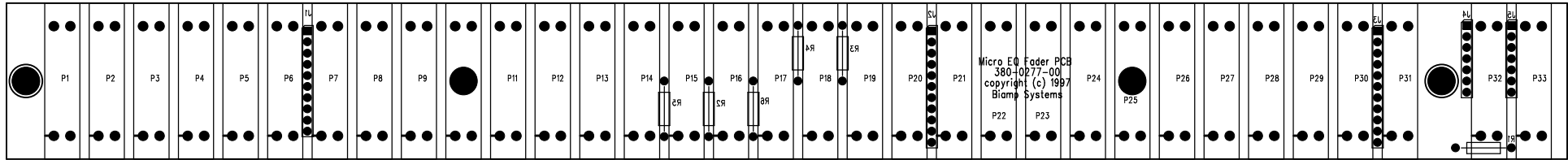
TITLE: MicroEQ301 Main PCB

USED ON:	COPY DATE STAMP:	SIZE: D	DRAWING NO: 700-0284-00	REV: -
DRAWN: DB	DATED:	SCALE:	SHEET: 2 OF 2	
APPROVED:	DATED:			

REVISION RECORD				
REV	ECO #	DESCRIPTION:	DATE:	BY:



BIAMP SYSTEMS, INC.		14130 NW SCIENCE PARK DRIVE PORTLAND, OR 97229	
TITLE: MicroEQ301 Main PCB			
USED ON:	COPY DATE STAMP:	SIZE: D	DRAWING NO: 700-0284-00
DRAWN: DB	DATED:	SCALE:	REV: -
APPROVED:	DATED:	SHEET: 1 OF 2	



BIAMP SYSTEMS  
 14130 N.W. Science Park Drive  
 Portland, Oregon 97229  
 (503) 641-7287

**380-0277-00**

Sheet 1 of 6 : Silkscreen  
 Sheet 2 of 6 : Component Side

Sheet 1 of 1: Fabrication Drawing

1

2

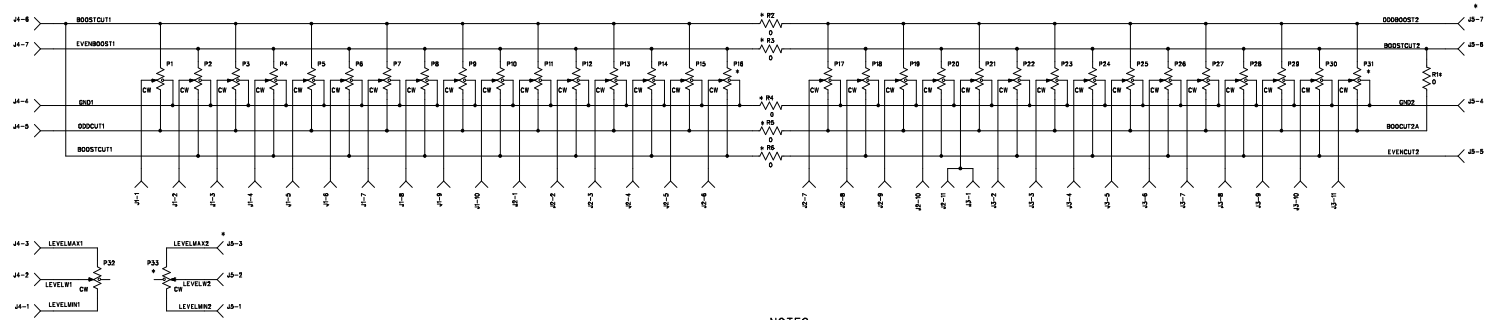
3

4

5

6

REVISION RECORD			
REV#	DESCRIPTION:	DATE:	BY:



\* NOTES:

- |  |  |
|--|--|
| <p>mEQ152:</p> <ol style="list-style-type: none"> <li>REMOVE R2, R3, R4, R5, R6 (0 OHM RESISTORS)</li> <li>REMOVE P16</li> <li>INSTALL R16</li> <li>INSTALL 6-PIN HEADER J3 PINS 1-3 AND PINS 7-11</li> <li>INSTALL 6-PIN HEADER J3 PINS 3-11</li> </ol> | <p>mEQ301:</p> <ol style="list-style-type: none"> <li>REMOVE R1 (0 OHM RESISTOR)</li> <li>REMOVE P31, P33</li> <li>REMOVE P32</li> <li>INSTALL 6-PIN HEADER J3 PINS 1-10</li> <li>INSTALL 6-PIN HEADER J3 PINS 1-10</li> </ol> |
|--|--|

BIAMP SYSTEMS, INC. 1430 NW SCIENCE PARK DRIVE  
 PORTLAND, OR 97229

TITLE: Micro EQ Fader Board

USID 01c	COPY DATE STAMP:	SIZE: D	DRAWING NO: 700.0277.00 (mEQ152) 700.0285.00 (mEQ301)	REV: -
DRAWN: DB	DATE:	SCALE:	SHEET: 1 OF 1	