

ET5219-510 (7521951000) (pcb 2291051400)

OUTPUT WAVEFORMS (LEVEL CONT. @ max.)

ATTACK	SUSTAIN	INPUT SIG sine(dBm)	CUTPUT SIG (dBm)
max	max	1kHz	-50 approx. -12
			-40 approx. -8.5
	min	-40 approx. -33	
min	max	100Hz	0 approx. -8 slight distortion
			-4.5 Fig. 1
			-10.5 Fig. 2

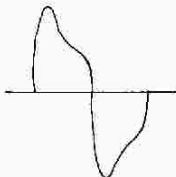


Fig. 1

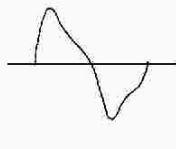
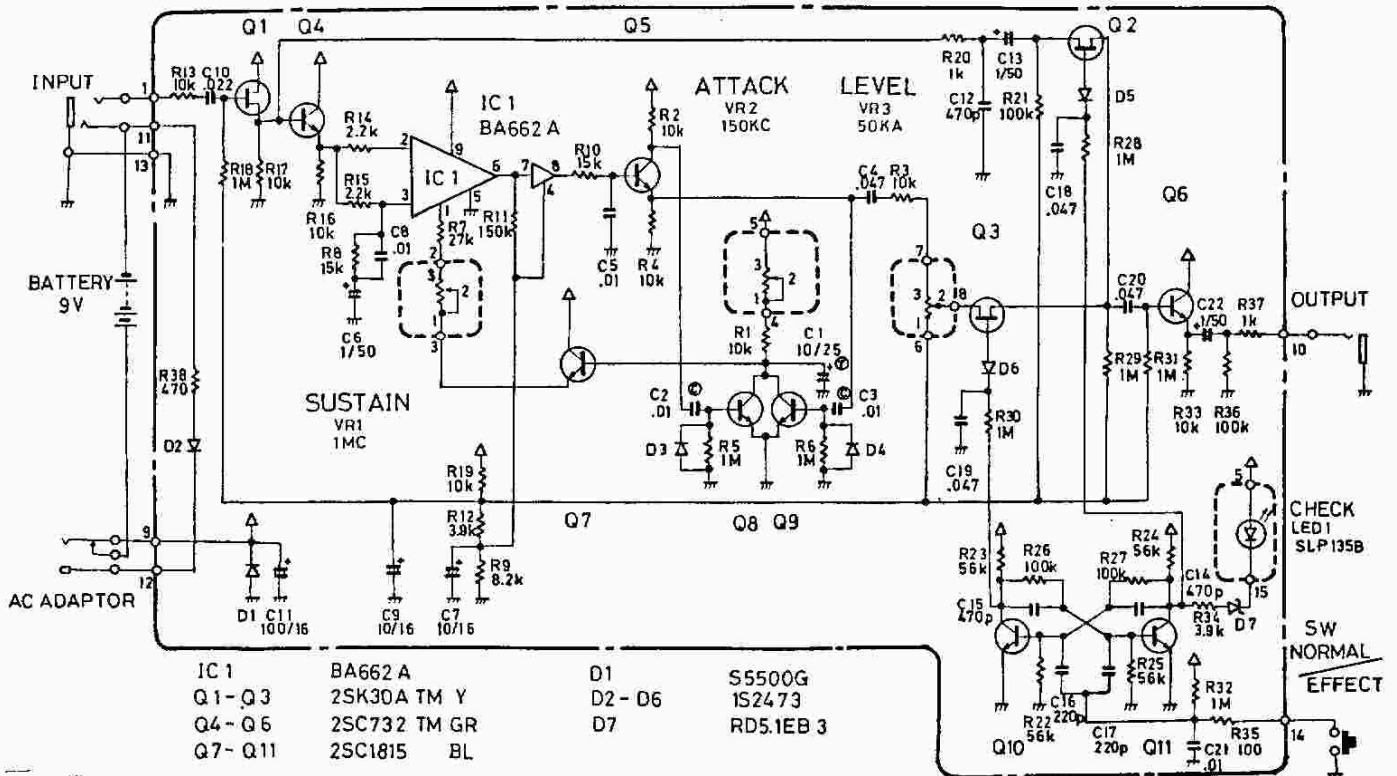
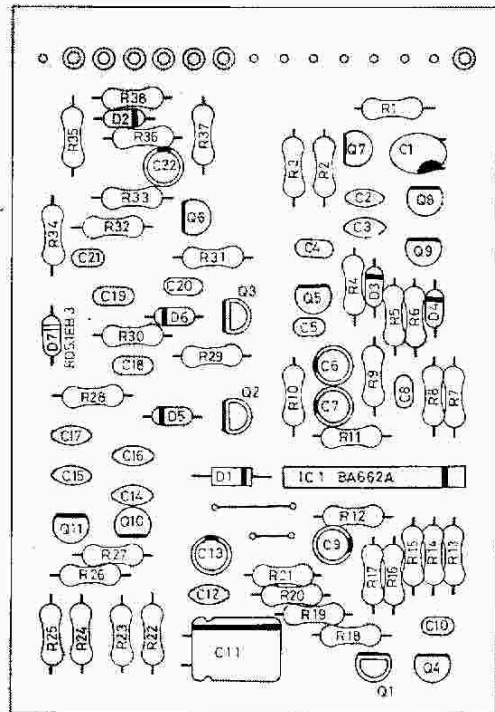
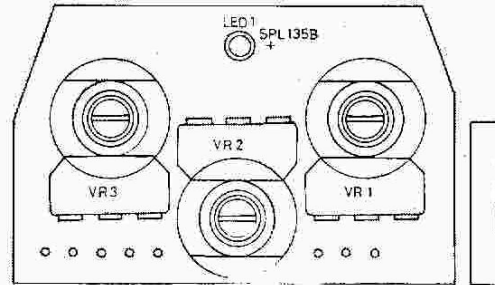


Fig. 2

- | | | | |
|--|--------------------|--|-------------------|
| | Q1-Q3 2SK30A TM Y | | tantalum cap. |
| | Q4-Q6 2SC732 TM GR | | electrolytic cap. |
| | Q7-Q11 2SC1815 BL | | ceramic disc cap. |
| | D1 S5500G | | mylar film cap. |
| | D2-D6 1S2473 | | resistor |
| | D7 RD5.1EB3 | | |



- | | | | |
|--------|--------------|-------|-----------|
| IC 1 | BA662 A | D1 | S5500G |
| Q1-Q3 | 2SK30A TM Y | D2-D6 | 1S2473 |
| Q4-Q6 | 2SC732 TM GR | D7 | RD5.1EB 3 |
| Q7-Q11 | 2SC1815 BL | | |