

BOSS GL-100 GUITAR DRIVER

SERVICE NOTES

First Edition

SPECIFICATIONS

INPUT	Input Level (Rated)	: -20dBm	EQUALIZER		
	Input Impedance	: 1M Ω	CH1	Boost/Cut	: ± 20 dB
BUFFER OUT	Output Level (Rated)	: -20dBm		Low	: 100Hz (Shelving)
	Output Load Impedance	: More than 10k Ω		Low Mid	: 100Hz to 1.6kHz (Peaking)
SEND OUT	Output Level (Rated)	: -20dBm		High Mid	: 500Hz to 8kHz (Peaking)
	Output Load Impedance	: More than 10k Ω		High	: 8kHz (Shelving)
RETURN L/R	Input Level (Rated)	: -20dBm	CH2	Boost/Cut	: ± 20 dB
	Input Impedance	: 47k Ω		Low	: 100Hz (Shelving)
MONITOR OUTPUT L/R	Output Level (Rated)	: +4dBm		Mid	: 250Hz to 4kHz (Peaking)
	Output Load Impedance	: More than 10k Ω		High	: 8kHz (Shelving)
OUTPUT L/R	Output Level (Rated)	: -10dBm	POWER CONSUMPTION		: AC 100,120,220or240V
	Output Load Impedance	: More than 50k Ω	DIMENSIONS		: 10W
BALANCE OUTPUT L/R	Output Level (Rated)	: +4dBm			: 480(W) x 233(D) x 44(H)mm
	Output Load Impedance	: 600 Ω			: 18-7/8(W) x 9-3/16(D) x 1-3/4(H)in.
1-GND (Earth)			WEIGHT		: 2.6kg / 5 lb. 12 oz.
2-COLD (Cold)			ACCESSORY	Angle (for rack mounting) x 2 (Part No.2212062000)	
3-HOT (Hot)			Owner's Manual	: English	
				: Japanese	
			OPTIONS		
			BOSS Foot Switch	: FS-5L	

TABLE OF CONTENTS

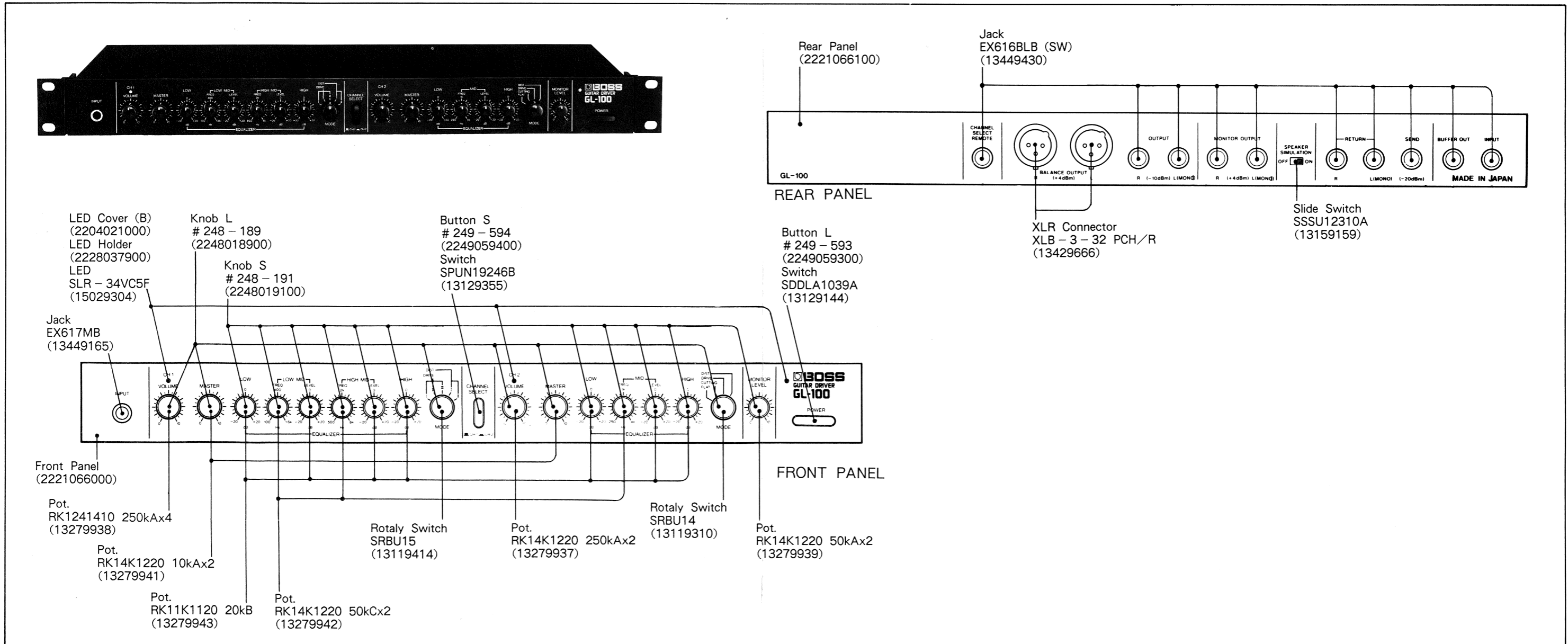
EXPLODED VIEW
PARTS LIST
BLOCK DIAGRAM
SUB BOARD
POWER BOARD
SW BOARD
LED 1 BOARD
LED 2 BOARD
LED 3 BOARD
MT BOARD

目次

分解図
パーツリスト
ブロック図
サブボード
パワーボード
SWボード
LED1ボード
LED2ボード
LED3ボード
MTボード

Page

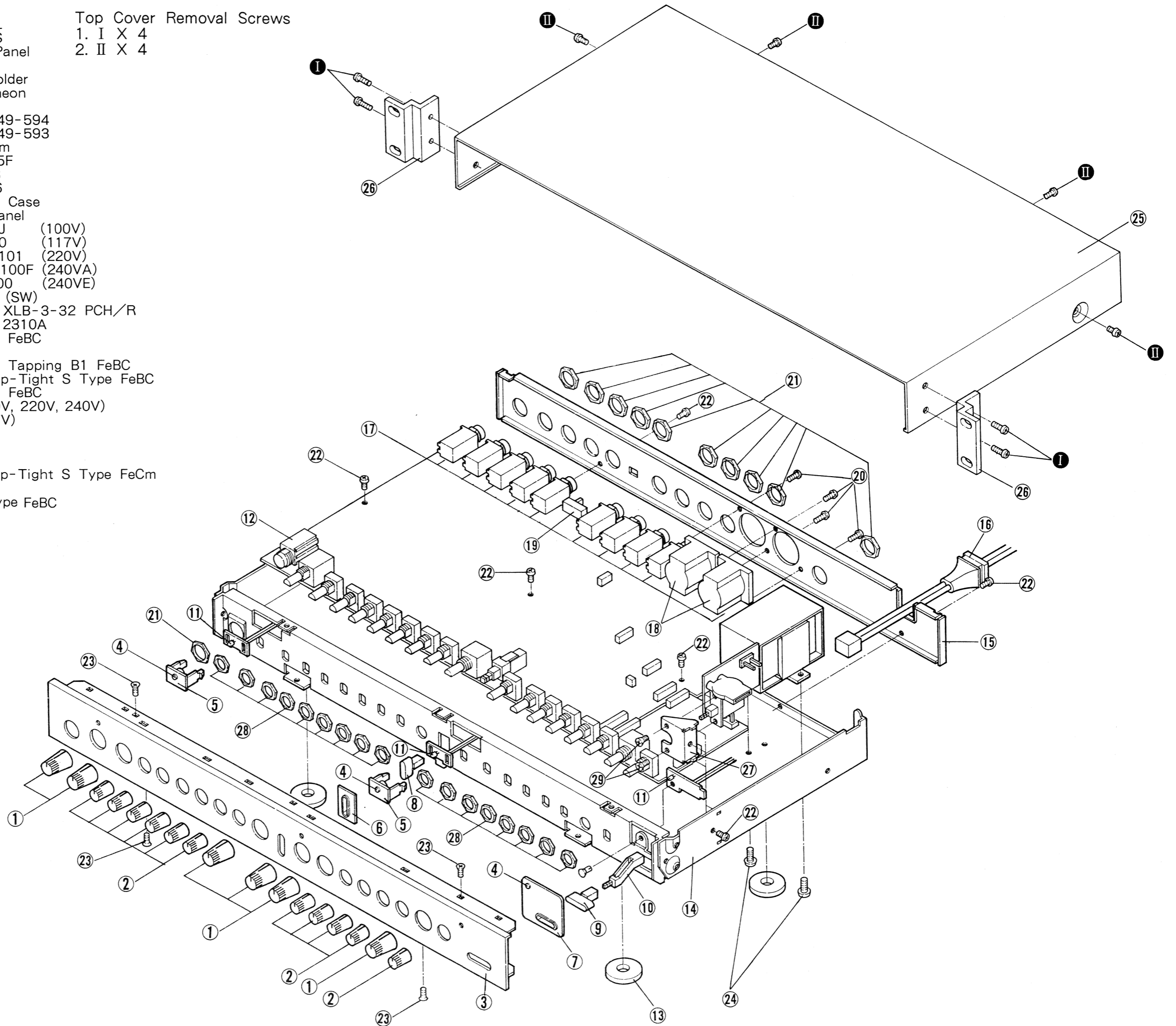
2
3
3
3
3
3
3
3
3
4, 5



EXPLODED VIEW 分解図

- | | | | |
|-----|------------|----------------------------------|--------------------------|
| 1. | 2248018900 | GL-100 Knob L | Top Cover Removal Screws |
| 2. | 2248019100 | GL-100 Knob S | 1. I X 4 |
| 3. | 2221066000 | GL-100 Front Panel | 2. II X 4 |
| 4. | 2204021000 | LED Cover (B) | |
| 5. | 2228037900 | GL-100 LED Holder | |
| 6. | 2222034500 | GL-100 Escutcheon | |
| 7. | 2222034300 | Escutcheon (R) | |
| 8. | 2249059400 | Button (S) # 249-594 | |
| 9. | 2249059300 | Button (L) # 249-593 | |
| 10. | 2214023700 | Switch Joint Arm | |
| 11. | 15029304 | LED SLR-34VC5F | |
| 12. | 13449165 | Jack EX617BMB | |
| 13. | 2235043600 | Base # 235-436 | |
| 14. | 2201023300 | GL-100 Bottom Case | |
| 15. | 2221066100 | GL-100 Rear Panel | |
| 16. | 2349015300 | △ AC Cord DP-8J (100V) | |
| | 13499166 | △ AC Cord DP-70 (117V) | |
| | 13499165 | △ AC Cord DEP-101 (220V) | |
| | 13499164 | △ AC Cord DAP-100F (240VA) | |
| | 13499162 | △ AC Cord BS6500 (240VE) | |
| 17. | 13449430 | Jack EX616BLB (SW) | |
| 18. | 13429666 | XLR Connector XLB-3-32 PCH/R | |
| 19. | 13159159 | Slide SW SSSU12310A | |
| 20. | | 3X6mm Binding FeBC | |
| 21. | | 12mm Nut | |
| 22. | | 3X6mm Binding Tapping B1 FeBC | |
| 23. | | 3X6mm Flat Tap-Tight S Type FeBC | |
| 24. | | 4X8mm Binding FeBC | |
| 25. | 2202045200 | Top Cover (100V, 220V, 240V) | |
| | 2202045400 | Top Cover (117V) | |
| 26. | 2212062000 | Rack Angle | |
| 27. | 2220037400 | Switch Holder | |
| 28. | | Volume Nut | |
| 29. | | 3X6mm Flat Tap-Tight S Type FeCm | |

I. 3X10mm Binding Tap - Tight S Type FeBC
 II. 3X6mm Binding Tapping B1 FeBC



PARTS LIST

SAFETY PRECAUTIONS:

The parts marked Δ have safety-related characteristics. Use only listed parts for replacement.

安全上の注意：
 Δ が付いている部品は、安全上特別な規格でつくられたものです。交換の際は、指定された部品番号以外の部品は使わないようにして下さい。

CONSIDERATIONS ON PARTS ORDERING

When ordering any parts listed in the parts list, please specify the following items in the order sheet.

QTY	PART NUMBER	DESCRIPTION	MODEL NUMBER
Ex. 10	22575241	Sharp Key	C-20/50
15	2247017300	Knob (orange)	DAC-15D

Failure to completely fill the above items with correct number and description will result in delayed or even undelivered replacement.

パーツ発注に関するお願い
 オーダーシートには、必ず下記の4項目は正確に記入して下さい。(例外は除く)

必要数	パーツナンバー	品名	使用機種
例) 10	22575241	Sharp Key	C-20/50
15	2247017300	Knob (orange)	DAC-15D

もし記入漏れ、誤記等がある場合、必要部品が発送出来なかったり、大幅な遅れの原因になります。御協力をお願いします。

◀ **Cautionary points in returning a PCB when repair is impossible.** ▶

When returning a PCB that cannot be repaired, first pack the PCB carefully and then clearly enter all necessary information in the sheet (see below) and always include it with the PCB.

◀ **修理不可能で基板を返却する場合の注意点** ▶
 修理不可能で基板を返却する場合、必要事項(詳細は下記参照)を明記して、必ず対象の返却基板に添えて返却して下さい。又、その際基板は、丁寧に梱包して返却するようにして下さい。

Necessary Information
 必要事項

1. Company Name	2. Model	3. Serial Number	4. Symptom
サービス名	機種名	製造番号	症状

CASING	ケース
2221066000	GL-100 Front Panel
2221066100	GL-100 Rear Panel
2201023300	GL-100 Bottom Case
2202045200	TOP Cover
2202045400	TOP Cover (117V)
2222034300	Escutcheon (R) # 222-343
2222034500	GL-100 Escutcheon # 222-345
2235043600	Base # 235-436

PCB ASSY	基板完成品
75113320	GL-100 MT Board Assy (pcb 2292079800)
75113310	GL-100 SUB Board (pcb 2292079900)

SUB Board includes the following five Boards :

GL-100 POWER Board (pcb 2292079900)	
GL-100 SW Board (pcb 2292079900)	
GL-100 LED 1 Board Assy (pcb 2292079900)	POWER
GL-100 LED 2 Board Assy (pcb 2292079900)	CH 1
GL-100 LED 3 Board Assy (pcb 2292079900)	CH 2

KNOB, BUTTON	ツマミ、ボタン
2248018900	Rack Round Knob L # 248-189
2248019100	Rack Round Knob S # 248-191
2249059400	Button (S) # 249-594
2249059300	Button (L) # 249-593

SWITCH	スイッチ
13119310	SRBU14
13119414	SRBU15
13159159	SSSU12310A
13129355	SPUN19246B
Δ 13129144	SDDLA1039A

JACK, SOCKET	ジャック、ソケット
13449430	EX616BLB (SW)
13449165	EX617BMB
13429666	XLB-3-32 PCH/R

POWER TRANSFORMER	電源トランス
Δ 22450582N0	GE-131 Transformer # 245-582 TYPE N
Δ 22450583C0	GE-131 Transformer # 245-583 TYPE C
Δ 22450584D0	GE-131 Transformer # 245-584 TYPE D
Δ 22450585A0	GE-131 Transformer # 245-585 TYPE A

POTENTIOMETER	ボリューム
13279938	RK1241410 250kAx4
13279937	RK14K1220 250kAx2
13279942	RK14K1220 50kCx2
13279941	RK14K1220 10kAx2
13279939	RK14K1220 50kAx2
13279943	RK11K1120 20kx

TRANSISTOR	トランジスタ
Δ 15119717	2SB1094
Δ 15129843	2SD1585
Δ 15119602	2SB647C
Δ 15129602	2SD667C
15119106DR	2SA933R
or 15119149	2SA1048-GR
15119111	2SA970GR
or 15119150	2SA1335-GR
15129113	2SC1740R
or 15129185	2SC2458-GR
15129120	2SC2240
15129189	2SC3327A
151391160Y	2SK118-Y
15139131	2SK184-GR

IC	
15189136	M5218L

DIODE, LED	ダイオード、LED
Δ 15039103	W-02M
15019167	1SS131
or 15019125	1SS133
15019336	MTZJ18A
15019334	MTZJ12C
15019335	MTZJ9.1C
15019333	MTZJ5.1C
15029304	SLR-34VC5F

CAPACITOR	コンデンサ
Δ 13559358	0.01/400

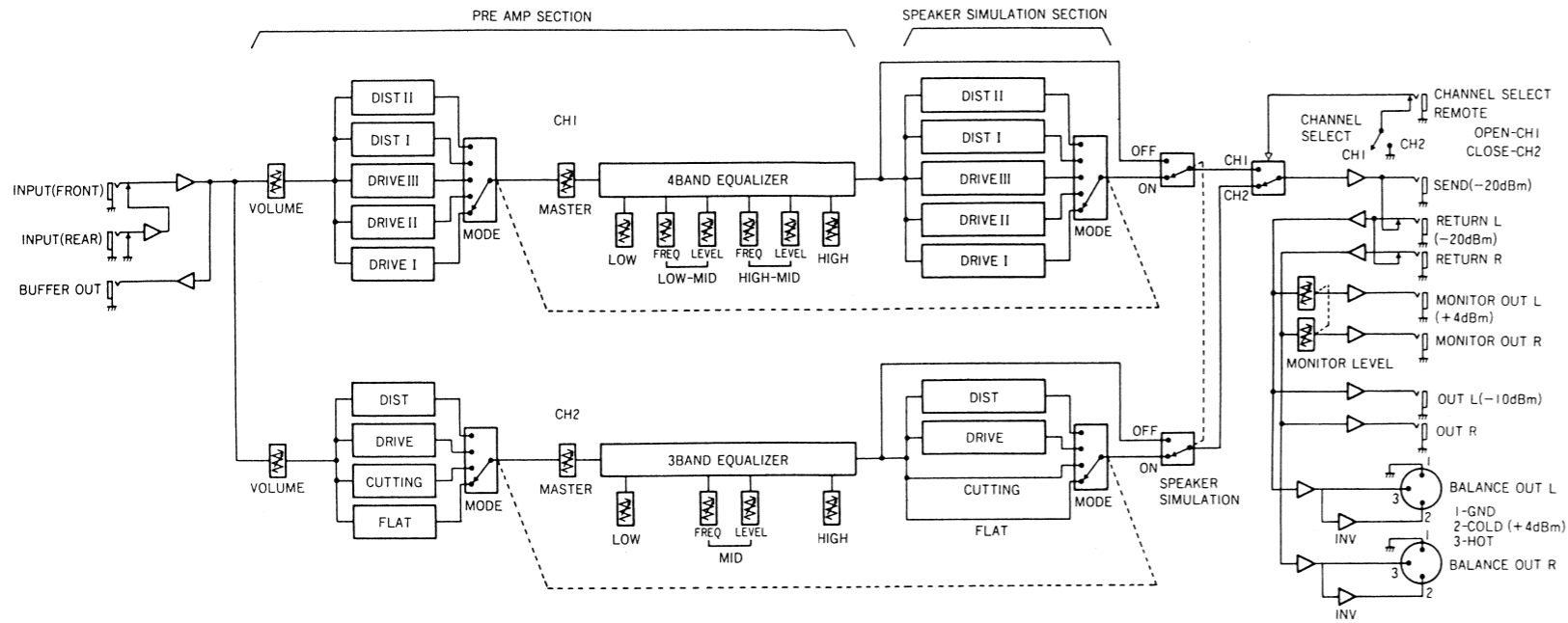
AC CORD, CORD SET	ACコード
Δ 2349015300	AC Cord DP-8J
Δ 13499166	AC Cord DP-70
Δ 13499165	AC Cord DEP-101
Δ 13499164	AC Cord DAP-100F
Δ 13499163	DS 3PIN FUSED PLUG
Δ 13499162	AC Cord BS6500

MISCELLANEOUS	その他
2228037900	GL-100 LED Holder
2220037400	Switch Holder
2214023700	Switch Joint Arm
2204021000	LED Cover (B)
12029885	Condenser Cover
2246018100	Heat Sink

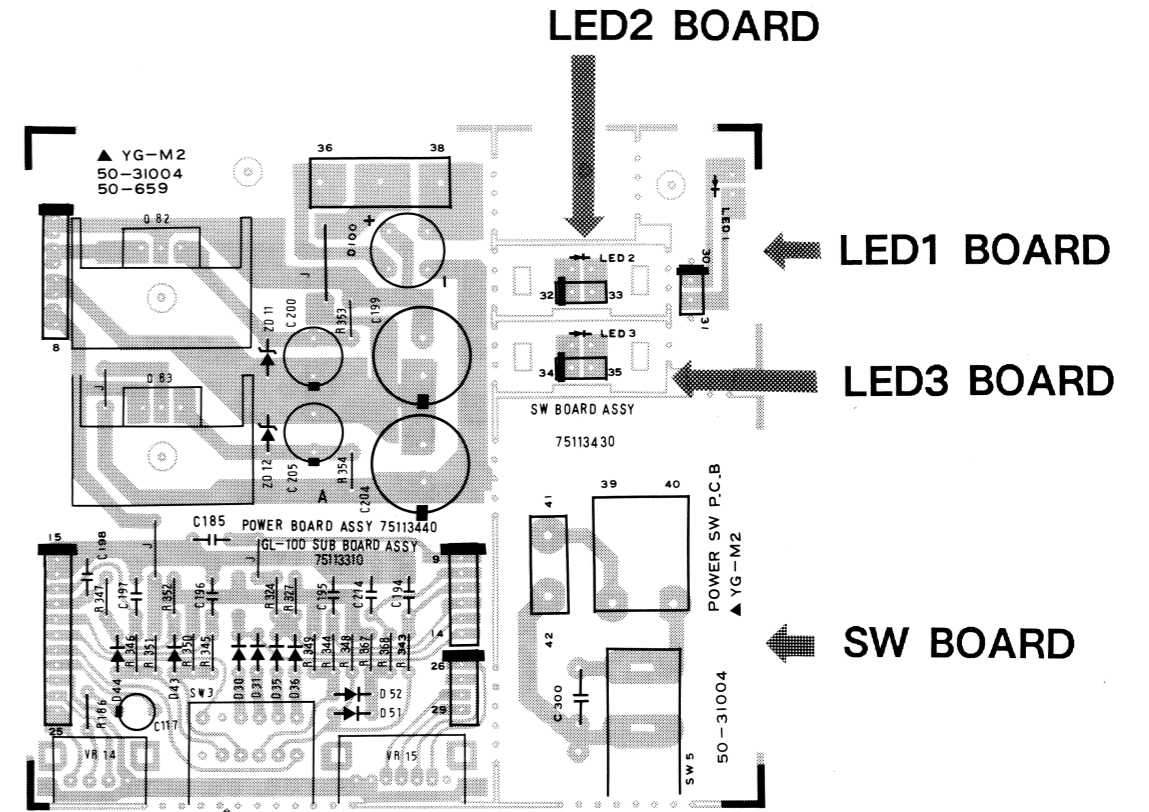
ACCESSORIES	付属品
2212062000	Rack Angle # 212-620
*****	Owner's Manual
*****	Owner's Manual

1 2 3 4 5 6 7 8 9 10 11 12 13 14 15 16 17 18 19 20 21 22 23 24 25 26 27 28 29 30 31 32 33 34 35 36 37 38 39 40

BLOCK DIAGRAM



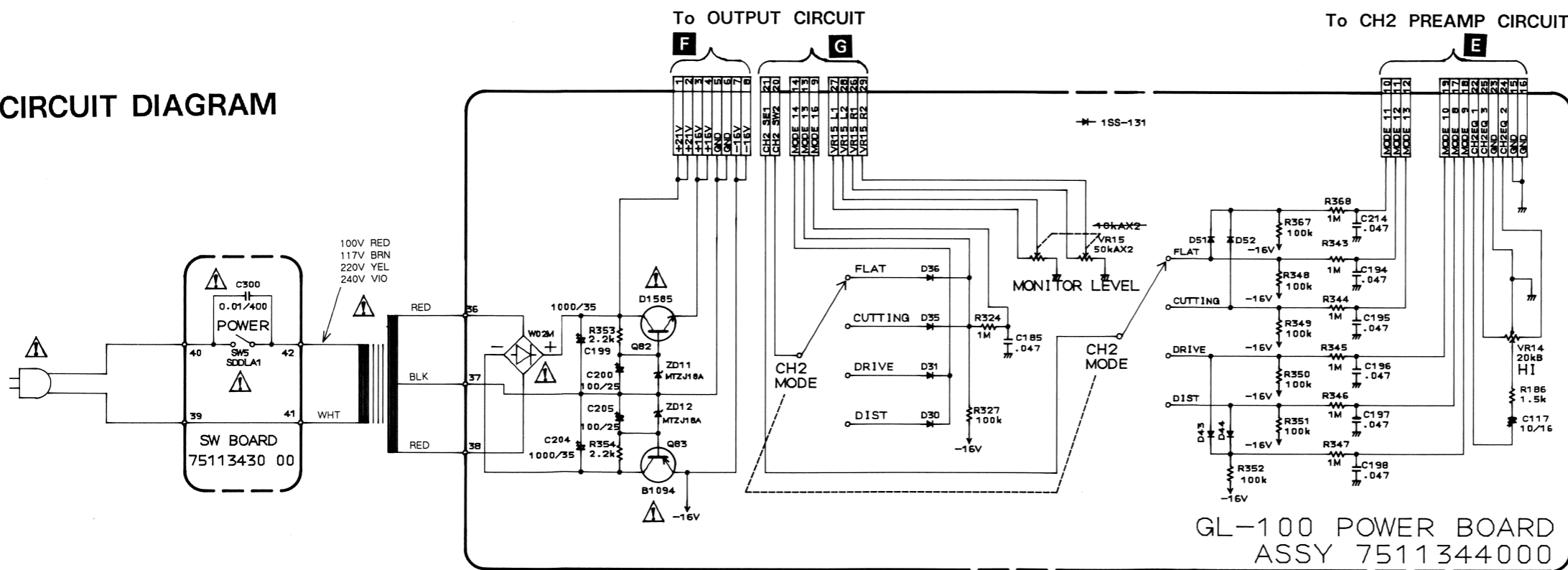
SUB BOARD
 ASSY 75113310
 (pcb 2292079900)



POWER BOARD

View from component side.

CIRCUIT DIAGRAM



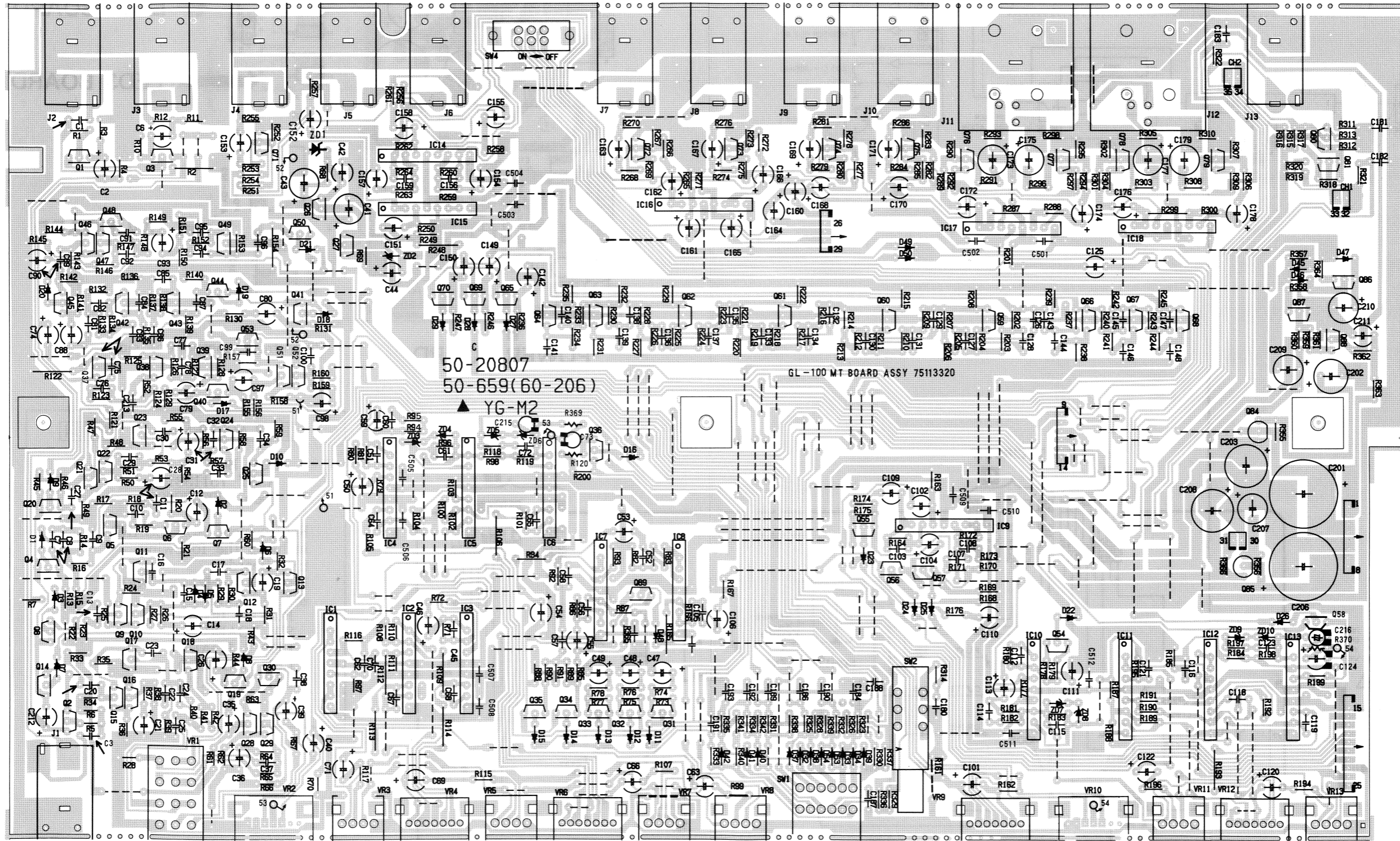
GL-100 POWER BOARD
 ASSY 7511344000

REPLACEMENT 補修用

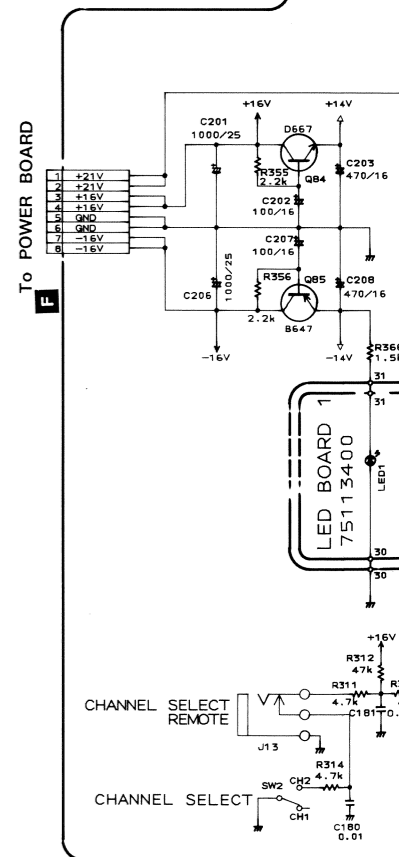
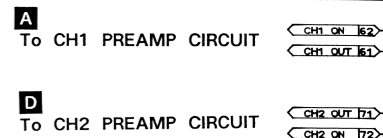
SUB BOARD
 ASSY 75113310
 (pcb 2292079900)

Replacement SUB BOARD includes the following five Boards:
 補修用SUB基板には、次の基板が含まれます。
 POWER BOARD
 SW BOARD
 LED 1 BOARD
 LED 2 BOARD
 LED 3 BOARD

MT BOARD
ASSY 75113320
(pcb 2292079800)



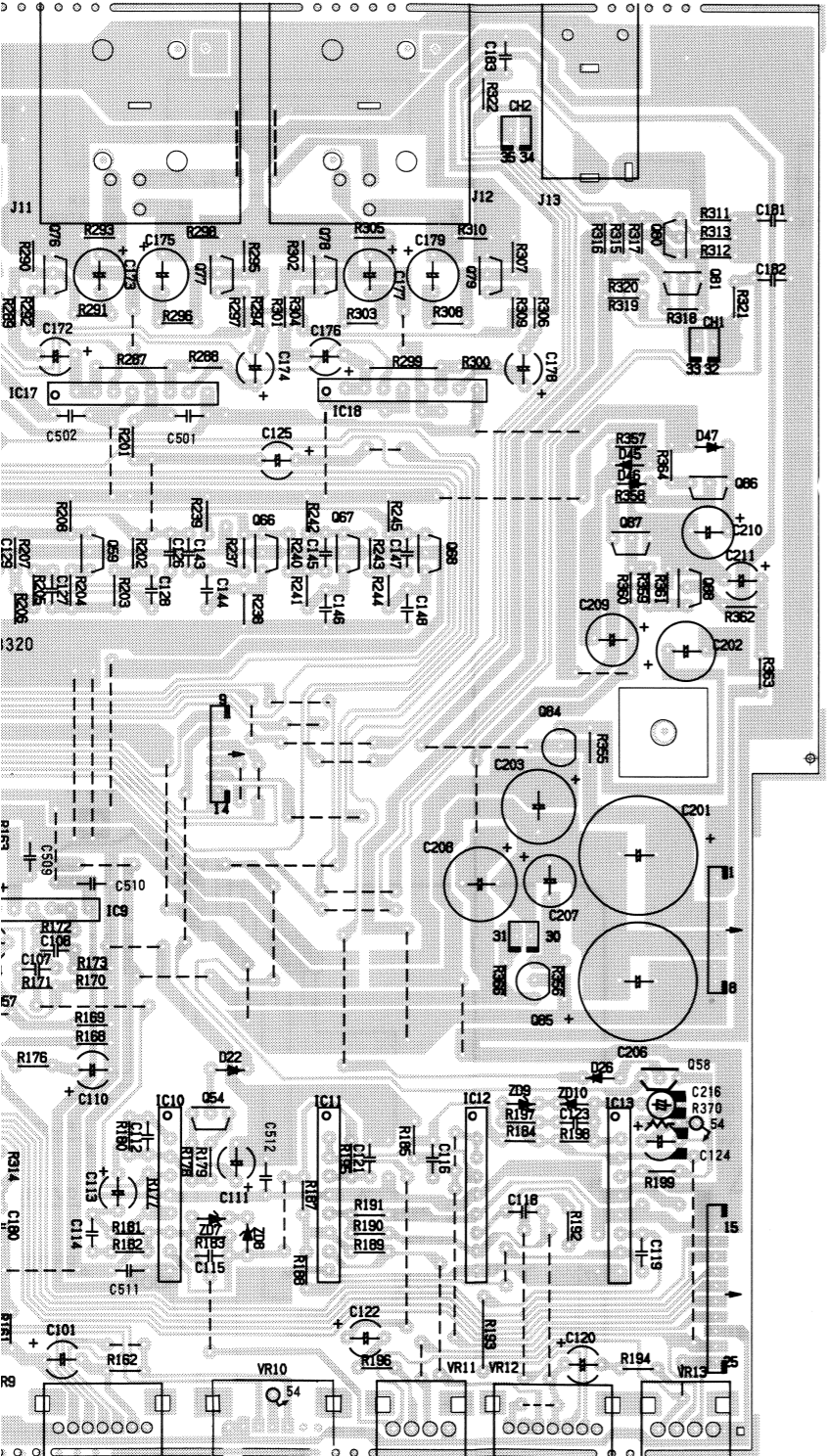
CIRCUIT DIAGRAM



View from component side.

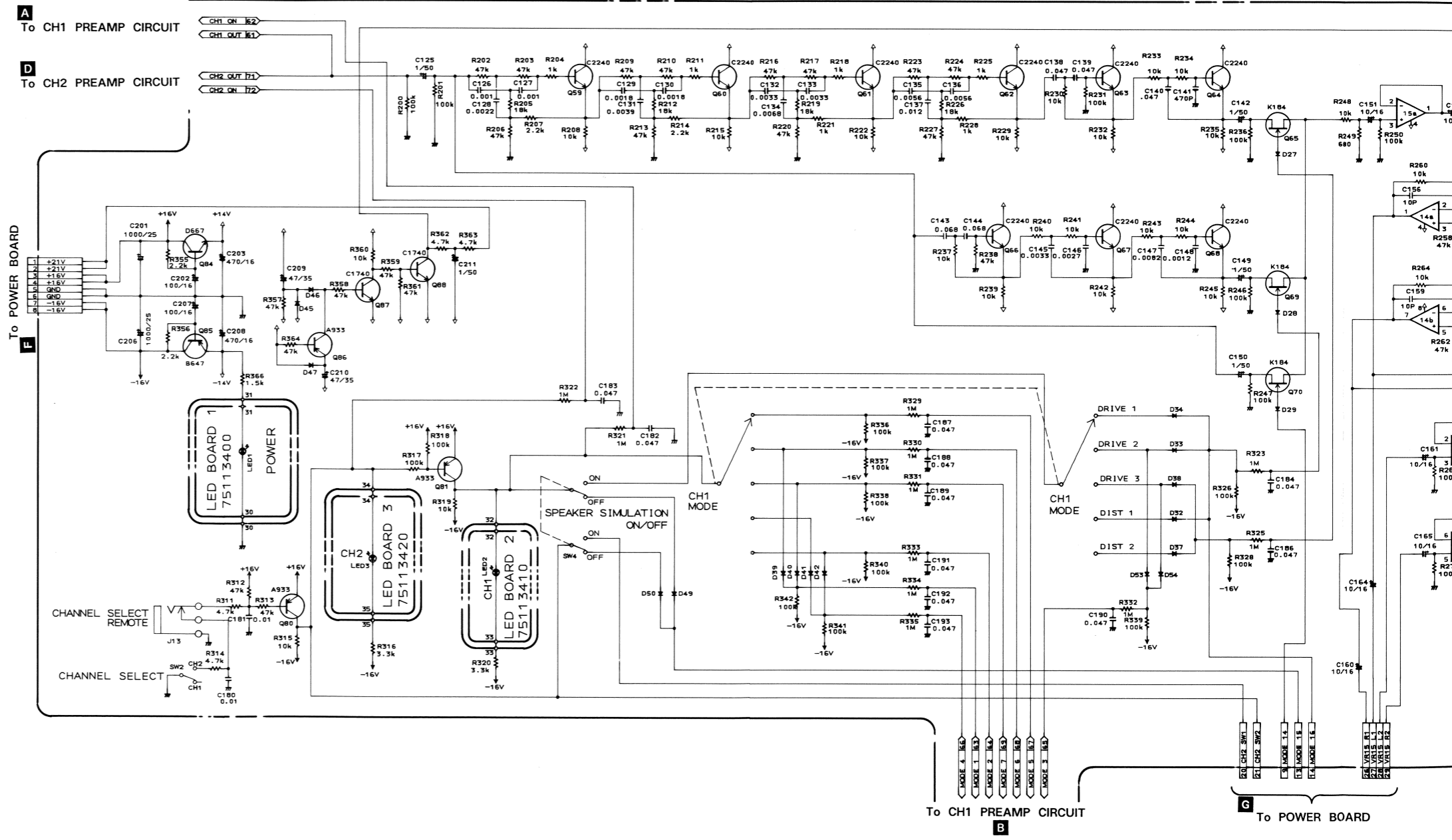
The directions of all potentiometers in the circuit diagram are as follow.

Signal voltage(Vp
回路図上の値 (Vp-
INPUT : 1kHz SIN
PANEL SETTING



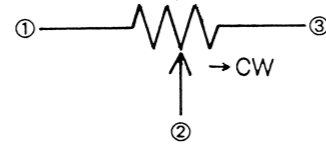
View from component side.

CIRCUIT DIAGRAM

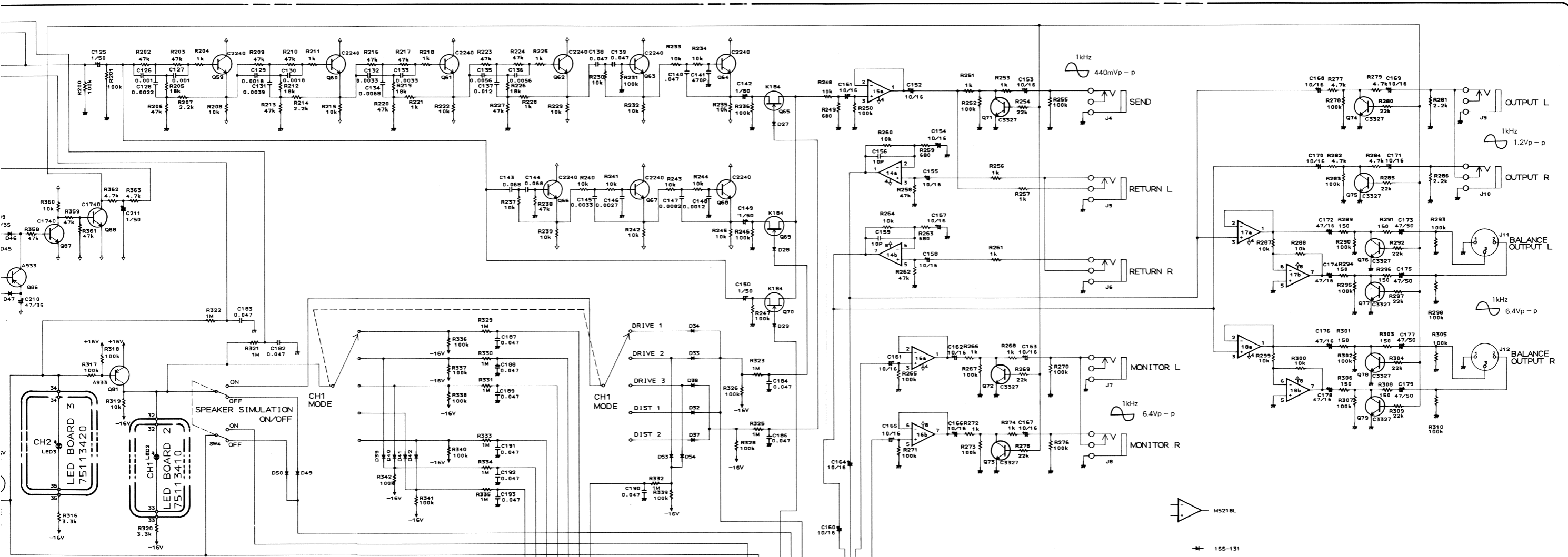
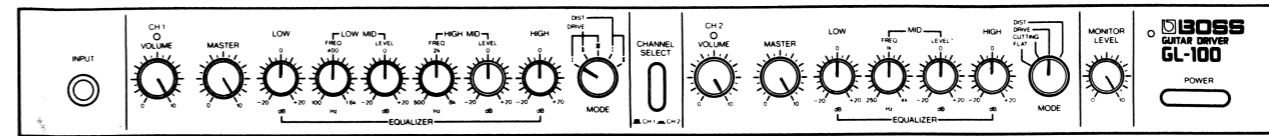


To POWER BOARD

The directions of all potentiometers in the circuit diagram are as follow.



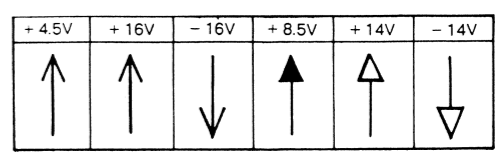
Signal voltage(Vp-p) taken under conditions.
回路図上の値 (Vp-p)は、下図の設定で得られます。
INPUT : 1kHz SINE 60mVp-p(-31.2dBm)
PANEL SETTING



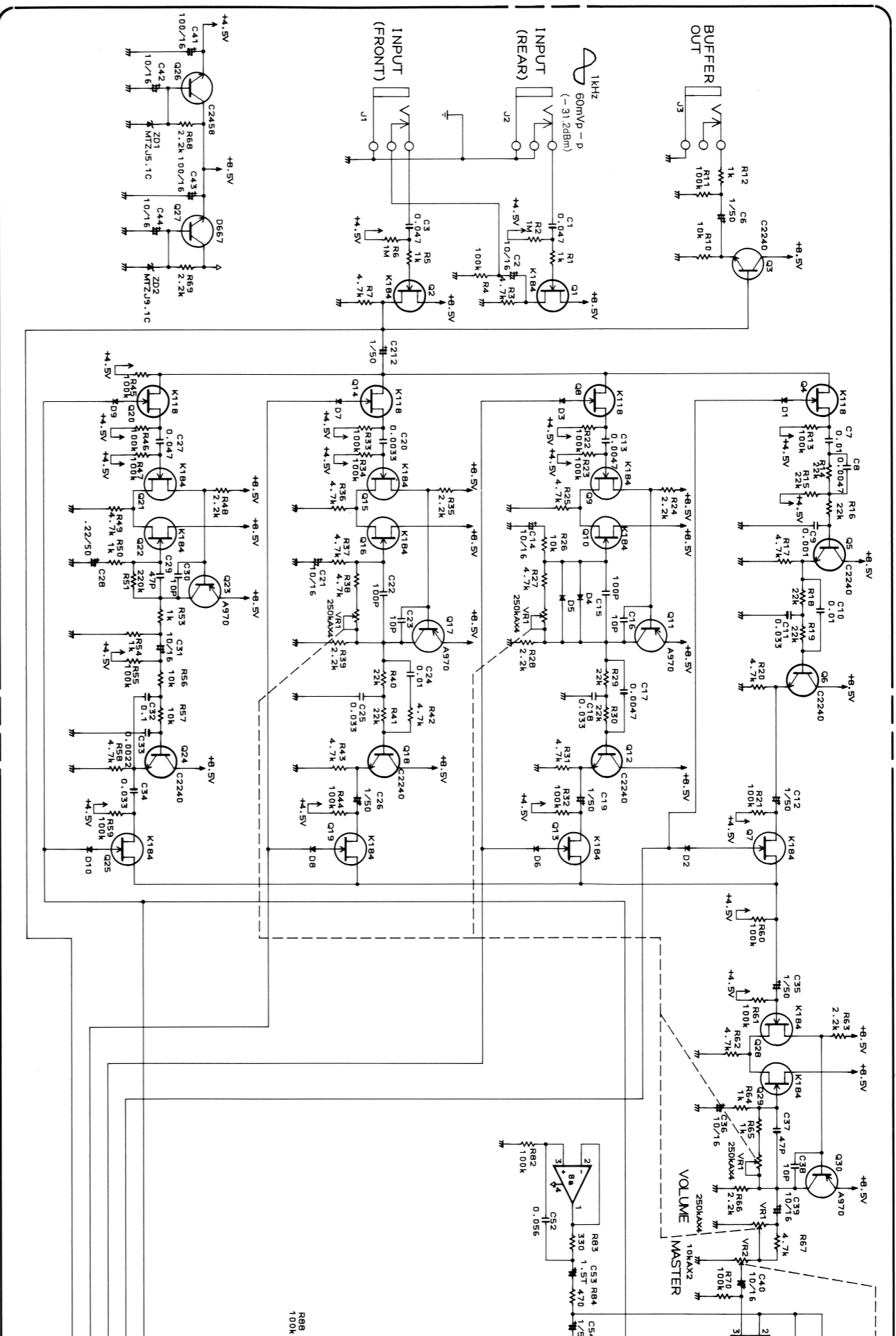
MT BOARD ASSY 7511332000

GL-100 OUTPUT CIRCUIT

To CH1 PREAMP CIRCUIT
To POWER BOARD

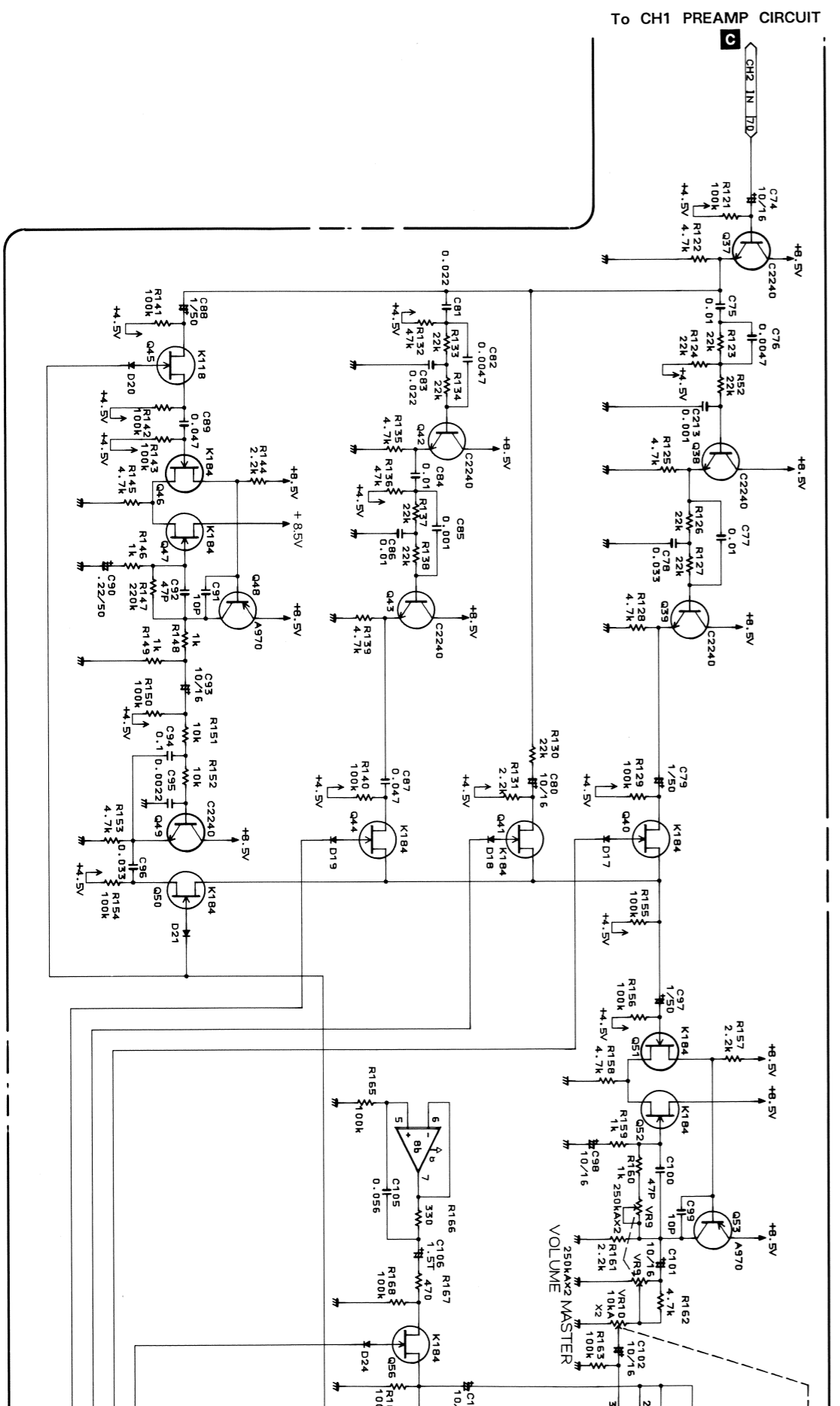


CIRCUIT DIAGRAM



Signal voltage (Vp-p) taken under conditions.
 回路図上の値 (Vp-p) は、下図の設定で得られます。
 INPUT : 1KHz SINE 60mVp-p (-31.2dBm)
 PANEL SETTING : See Fig.A.

CIRCUIT DIAGRAM



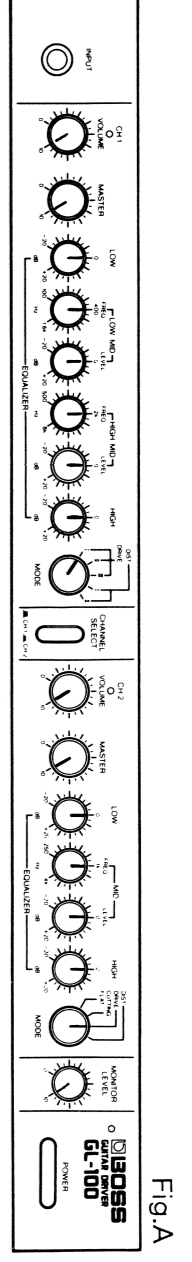
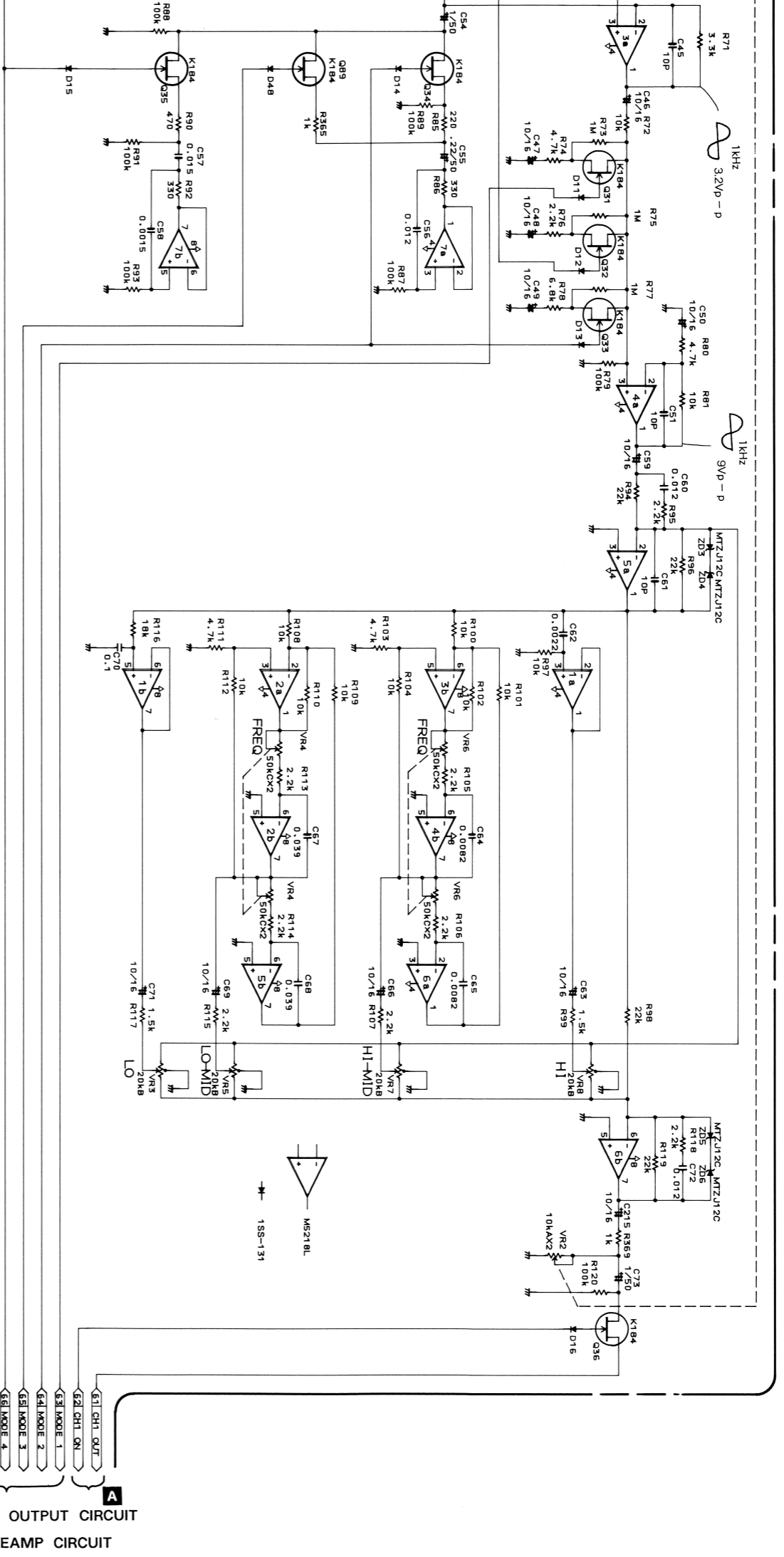
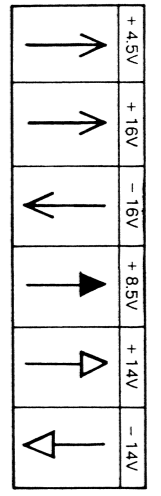
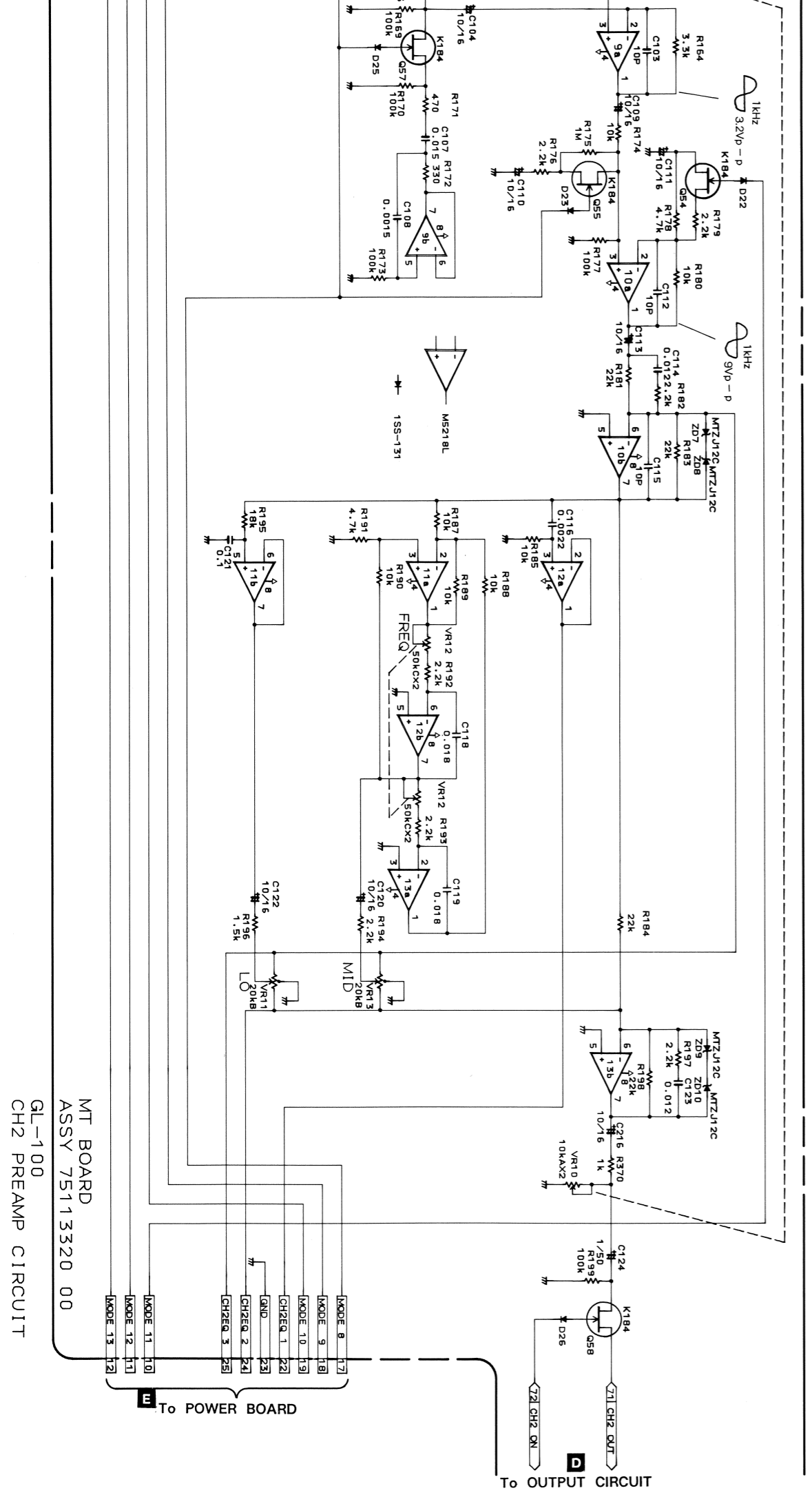


Fig.A



To OUTPUT CIRCUIT
 A
 B
 C To CH2 PREAMP CIRCUIT

MT BOARD
 ASSY 75113320 00
 GL-100
 CH1 PREAMP CIRCUIT



MT BOARD
 ASSY 75113320 00
 GL-100
 CH2 PREAMP CIRCUIT

To POWER BOARD

To OUTPUT CIRCUIT
 D

 Roland®

17059246

UPC

17059246



10981

Roland