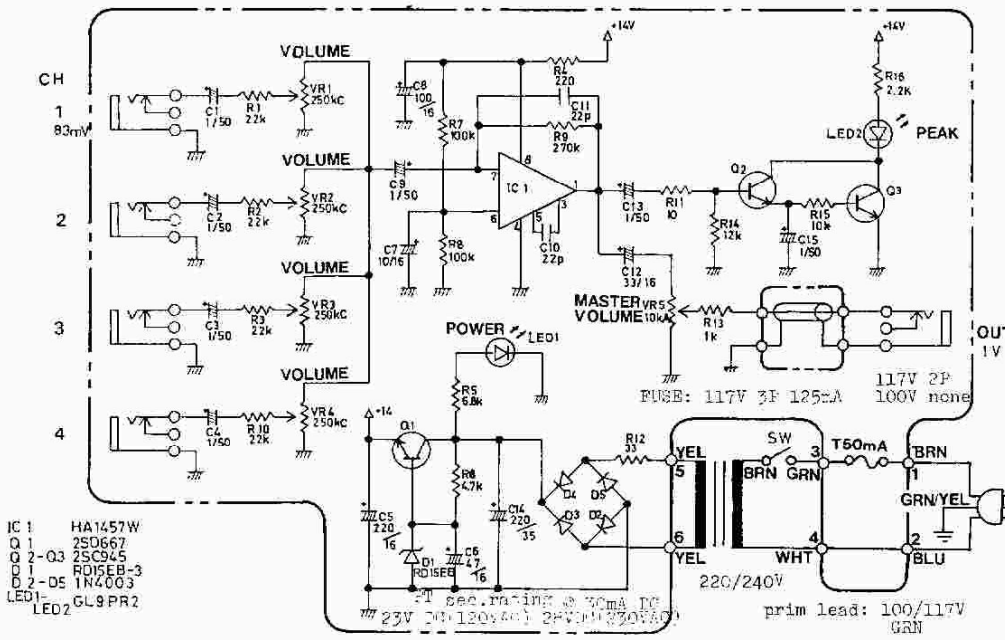
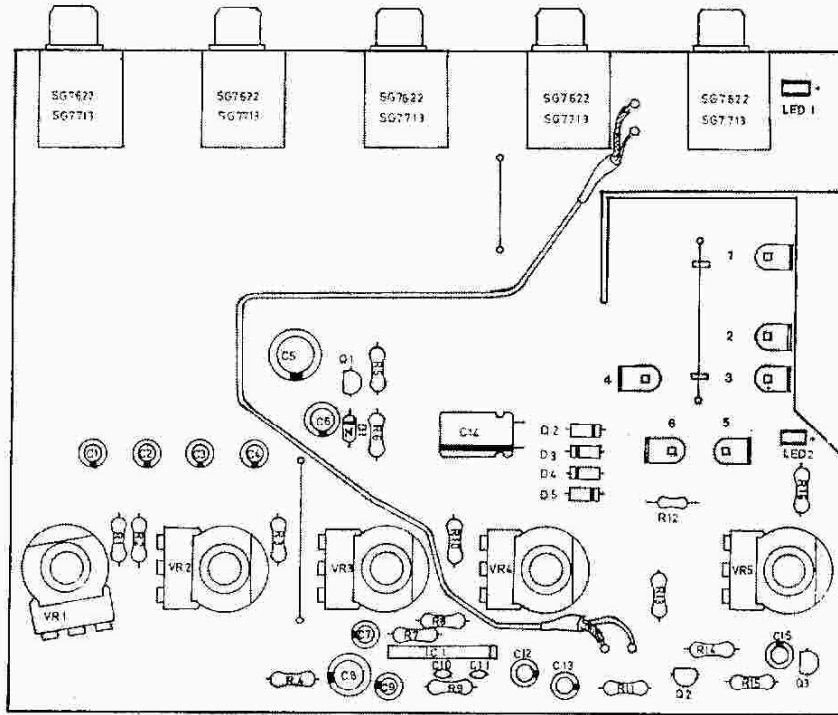


AP1131-510A(7113151004) (pcb 2291047101)



- IC 1 HA1457W
- Q 1 2SD667
- Q 2-Q3 2SC945
- D 1 RD15EB-3
- D 2-DE 1N4003
- LED1 GL9PR2
- LED2

OUTPUT
 input signal
 720mV p-p 1kHz
 sine wave
 CH - mid
 MASTER - few
 2.6V p-p
 CH - few
 MASTER - few
 9V p-p
 (before clipping)
 PEAK INDICATOR
 CH - 1:30 o'clock
 (4V p-p)
 dimly lights
 CH - 2:20
 full