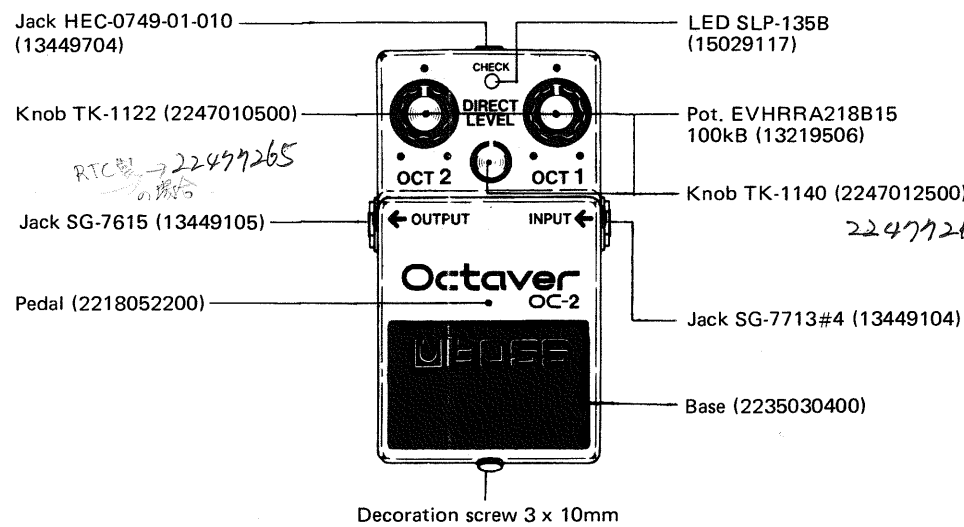
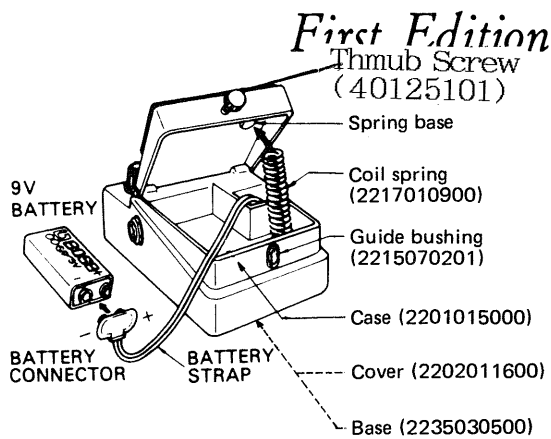


BOSS OC-2 SERVICE NOTES

SPECIFICATIONS

- Power 9V, 4mA DC
- Residual noise -100dBm (IHF-A)
- Maximum input level -5dBm
- Maximum output level 0dBm
- Input impedance 1MΩ (FET input)
- Output load impedance 10kΩ or more
- Minimum operating input level... -60dBm at 250Hz
- Dimensions 70(W)x55(H)x125(D)mm
(2-3/4" x 2-1/4" x 5")
- Weight 400g (14 oz)



PARTS LIST

- 2201015000 Case brown, metallic
 - 2218052200 Pedal brown, metallic
 - 2202011600 Cover bottom (065-130)
 - 2235030400 Base pedal matt (111-031)
 - 2235030500 Base bottom (111-032)
 - 2215070201 Guide bushing (068-026)
 - 2247010500 Knob TK-1122 (016-025)
 - 2247012500 Knob TK-1140 (016-068)
 - 2216050200 Spacer pcb-rear cover (065-153)
 - 2226030500 Cushion pcb-rear cover, battery-pedal (107-053)
 - 2217010900 Coil spring (070-059)
- ### JACK
- 13449704 HEC-0749-01-010 AC adaptor
 - 13449104 SG-7713#4 (009-036)
 - 13449105 SG-7615 (009-001)
- ### SWITCH
- 13129710 JM-0404 (001-295)

PCB

7522051001 Assy ET5220-510 (pcb 2291053300)

POTENTIOMETER

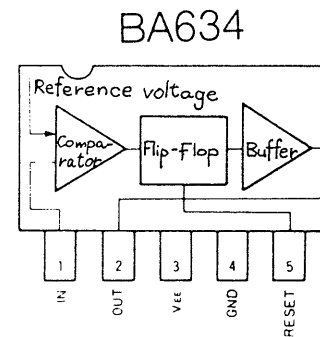
13219506 EVHRA218B15 100kΩ

SEMICONDUCTOR

- 15159105M0 MN-4013 IC (μPD-4013C) or equiv.
- 15229809 BA-634 IC
- 15189115 TL-022CP IC op-amp
- 15139101 2SK30ATM-Y FET (017-014)
- 15129104 2SC732TM-GR Tr. (017-020)
- 15129115 2SC1815-Y Tr. (017-110)
- 15029117 SLP-135B LED (019-034)
- 15019523 RD5.1EB3 zener (018-075)
- 15019122 1S-188FM diode Ge (018-117)
- 15019209T0 S-5500G diode
- 15019125 1SS-133 diode
- 2343098200 Flat cable
- 40125101 Thmub Screw

ET5220-510 (7522051001) (pcb 2291053300)

INPUT	SET-UP				OUTPUT (JACK)	
	DIRECT	OCT 1	OCT 2	LEVEL	PERIOD (FREQ.)	
600Hz sine -20dBm	MIN	MAX	MIN	-21dBm	T=3.33ms (300Hz)	
	MAX	MIN	MIN	-18dBm	T=1.67ms (600Hz)	
	MIN	MIN	MAX	-24.5dBm	T=6.67ms (150Hz)	
600Hz sine -50dBm	MIN	MAX	MIN	-54.5dBm	T=3.33ms	
	MAX	MIN	MIN	-48dBm	T=1.67ms	
	MIN	MIN	MAX	-61dBm	T=6.67ms	



- D1 S5500G
- D2 RD51EB3
- D3-D9 1SS133
- D10-D11 1S-188FM
- Q1 Q3 Q4 Q7 Q8 2SK30ATM-Y
- Q2 2SC732TM-GR
- Q5-Q6 2SC1815-Y
- electrolytic cap.
- mylar film cap.
- ceramic disc cap.
- resistor ELR25J
- resistor R16N

