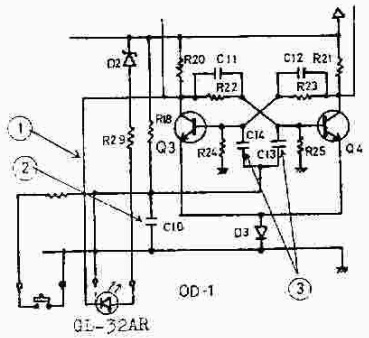
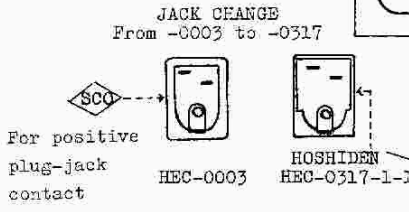
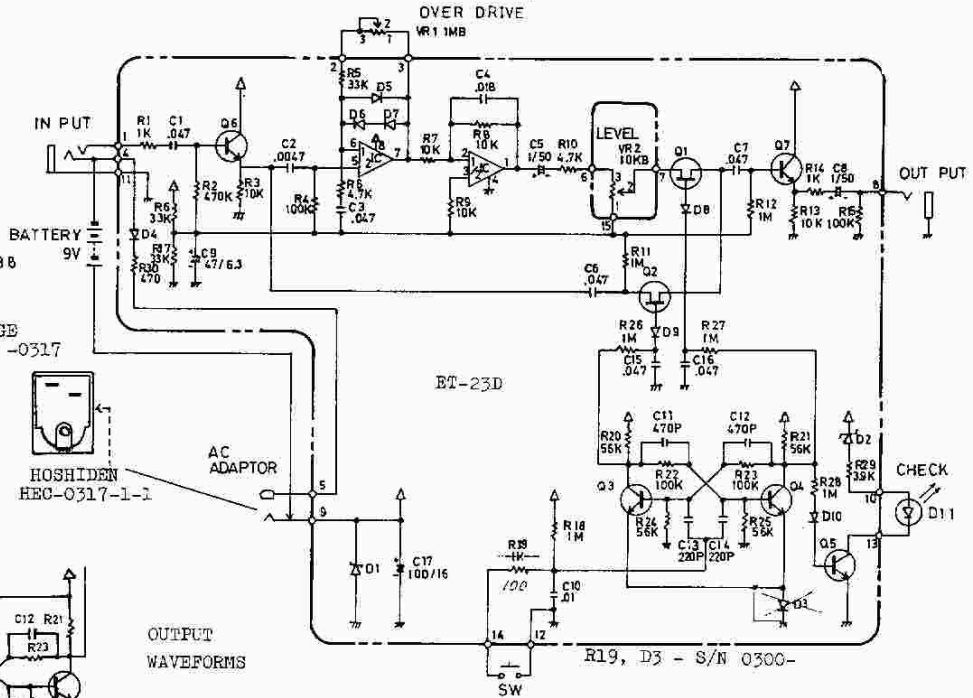
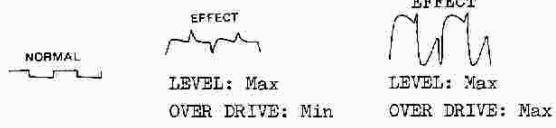


IC	μPC4558C
Q1	2SK30ATM Y
Q2	2SK30ATM GR
Q3 - Q5	2SC945 P
	2SC1815 Y
Q6 Q7	2SC732TM GR
D1	RD11EB 3
D2	RD51EB 3
D3 - D10	1S2473 or 1S1588
D11	SLP 135B



OUTPUT WAVEFORMS

TEST SIGNAL:
200Hz.
Square.
80mVpp



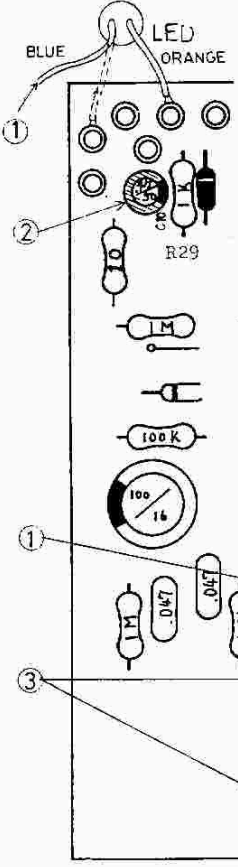
ET-23B(151-023B)

MODIFICATION ON LED DRIVE CIRCUIT

LED connecting to ET-23B does not light during Effect mode. The following give information on modification for continuous LED lighting in the mode.

1. Shift LED blue lead ① to Q3 collector, at the foil side (surface mounting).
2. Replace C10 ②, 1/50 or .47/50, with 0.01 mylar capacitor.
3. Replace C13 and C14 ③, 470pF, with 220pF if flip-flop circuit becomes unstable at lower supply voltages (7-6V).

Inevitably, current draw will increase after modification. The new circuit on ET-23D is accompanied with low-power-consumption LED SLP135B for less battery drain. When LEDs are changed, R29 should also be changed to 3.9k ohms.



9000
9900
0000
0300

ET5201-510A (ET-23D) (7520151000)
(pcb 2291032104/052-281D)
Serial number with 9000

