

ET5212-510A (7521251003)

WAVEFORM CHECKING

SCOPES: 5 (CAL. TIME)      INPUT SIGNAL: JAMES V.  
200mVp-p

Unless exact 9V supply, waveforms will differ from standard shown below in level and shape.



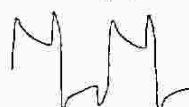
waveform changes greatly in shape between DRIVE position, counterclockwise-midpoint.

1.2Vp-p



FCCW

1.2Vp-p

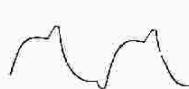


FCW



waveform changes are great around midpoint of TONE

0.8Vp-p



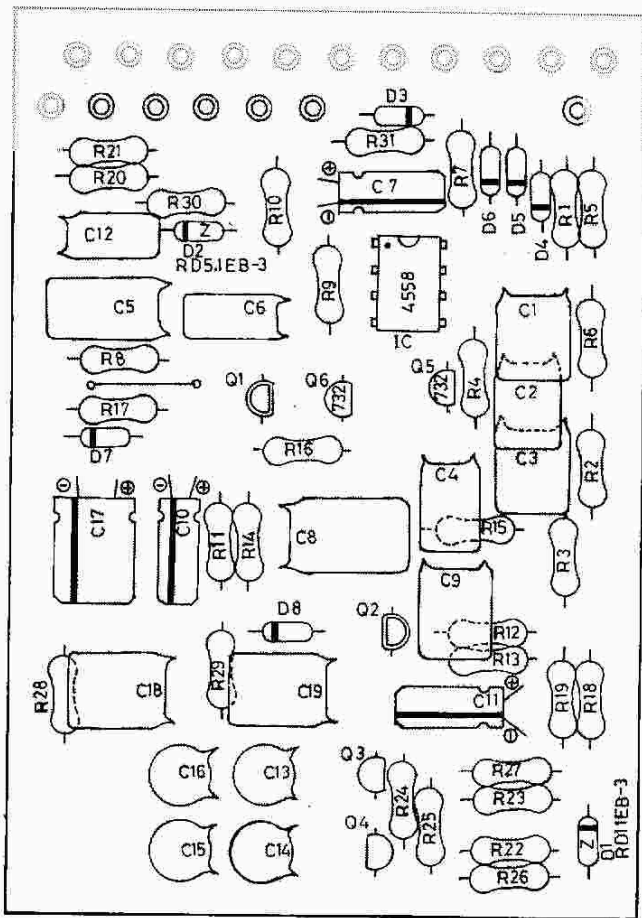
FCCW

1.2Vp-p



FCW

Residual and mechanical shock noises and howling can be produced when once-glued part is left apart after servicing.



SERIAL NUMBER  
Early products -- 4 digits, stamped on case top  
Later -- 6 digits label on battery housing

